



US00D812185S

(12) **United States Design Patent**
Mazaros

(10) **Patent No.:** **US D812,185 S**
(45) **Date of Patent:** **** Mar. 6, 2018**

- (54) **FISHING ROD HOLDING DEVICE**
- (71) Applicant: **David Mazaros**, Port St Lucie, FL (US)
- (72) Inventor: **David Mazaros**, Port St Lucie, FL (US)
- (**) Term: **15 Years**
- (21) Appl. No.: **29/570,281**
- (22) Filed: **Jul. 7, 2016**
- (51) **LOC (11) Cl.** **22-05**
- (52) **U.S. Cl.**
USPC **D22/147**
- (58) **Field of Classification Search**
USPC D22/199, 155, 141, 147, 148, 134, 108;
D21/328; D17/9, 13; D26/23, 41, 50,
D26/87, 142, 155
CPC A01K 97/10; A01K 97/22; B62B 5/06;
B62B 5/049
See application file for complete search history.

- D374,062 S * 9/1996 Carter D22/147
- 5,561,937 A 10/1996 Johnson
- D405,292 S * 2/1999 Reese D6/682.1
- D409,274 S * 5/1999 Morse, Jr. D22/147
- 6,125,570 A * 10/2000 Valrey, Sr. A01K 97/11
43/15
- 6,672,559 B1 1/2004 Bolida
- 6,857,614 B2 2/2005 Fox
- 6,931,782 B1 8/2005 Pitcock
- D750,735 S * 3/2016 Nakamichi D22/147
- D776,235 S * 1/2017 Bush, II D22/147
- 2007/0017142 A1 1/2007 Jaworski
- 2008/0185493 A1 8/2008 Wakefield et al.

* cited by examiner

Primary Examiner — Karen S Acker

Assistant Examiner — Steven B Reinholdt, Jr.

(74) *Attorney, Agent, or Firm* — Robert C. Montgomery;
Montgomery Patent & Design, L.P.

(57) **CLAIM**

The ornamental design for a fishing rod holding device, as shown and described.

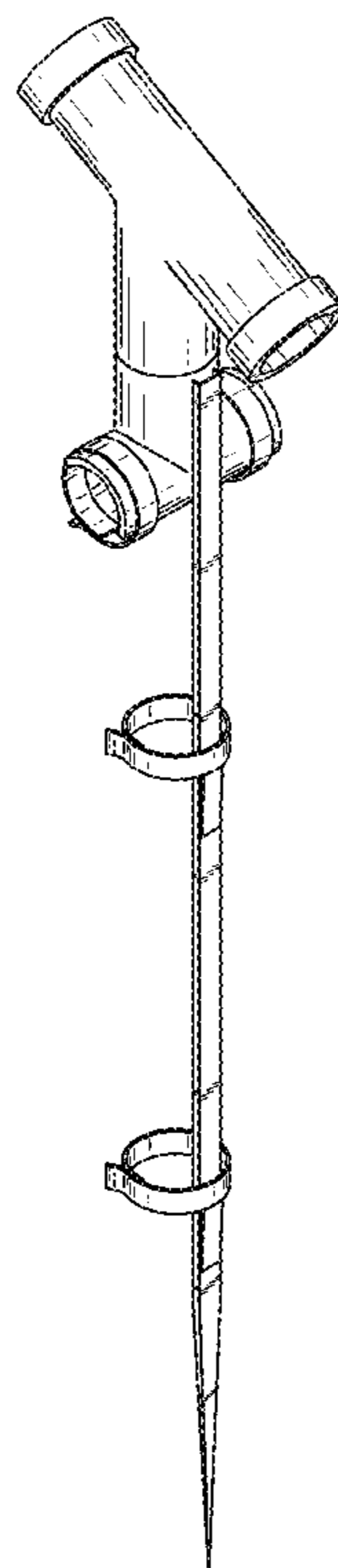
DESCRIPTION

FIG. 1 is a perspective front side view of a fishing rod holding device, showing my new design; FIG. 2 is front side elevation view thereof; FIG. 3 is a rear side elevation view thereof; FIG. 4 is a right side elevation view thereof; FIG. 5 is a left side elevation view thereof; FIG. 6 is a top side plan view thereof; and, FIG. 7 is a bottom side plan view thereof.

1 Claim, 7 Drawing Sheets

(56) **References Cited**
U.S. PATENT DOCUMENTS

- 4,198,775 A 4/1980 Leisner
- 4,235,409 A * 11/1980 Cummings A01K 97/10
248/520
- D303,564 S * 9/1989 Ewald D22/147
- D310,256 S * 8/1990 Erdelean D22/147
- D313,454 S * 1/1991 Eglinsdoerfer, Sr. D22/147
- 5,312,077 A 5/1994 Gutierrez
- 5,349,775 A * 9/1994 Mondares A01K 97/10
248/125.1



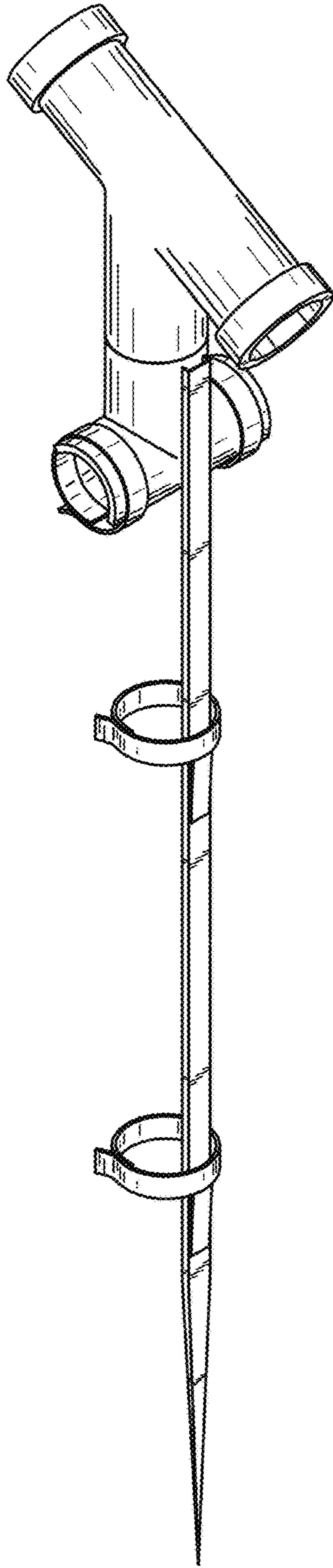


FIG. 1

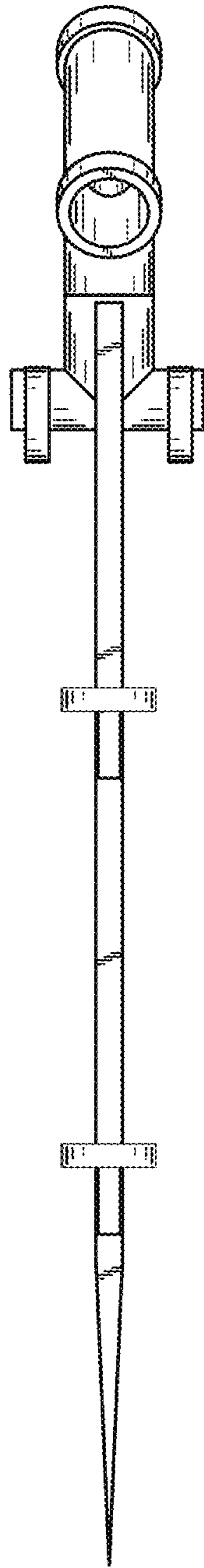


FIG. 2

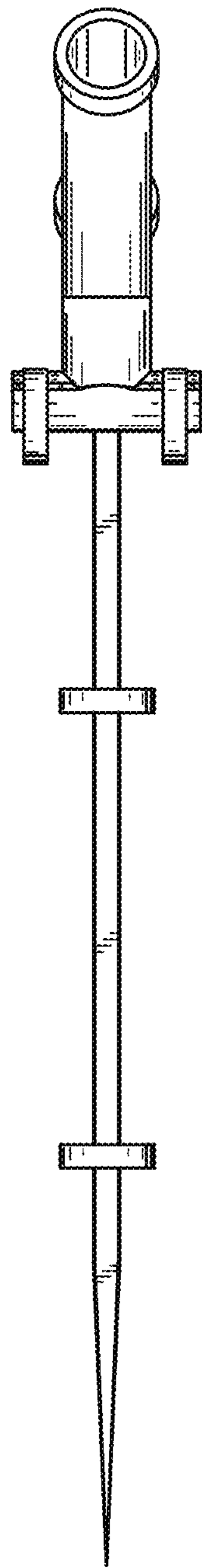


FIG. 3

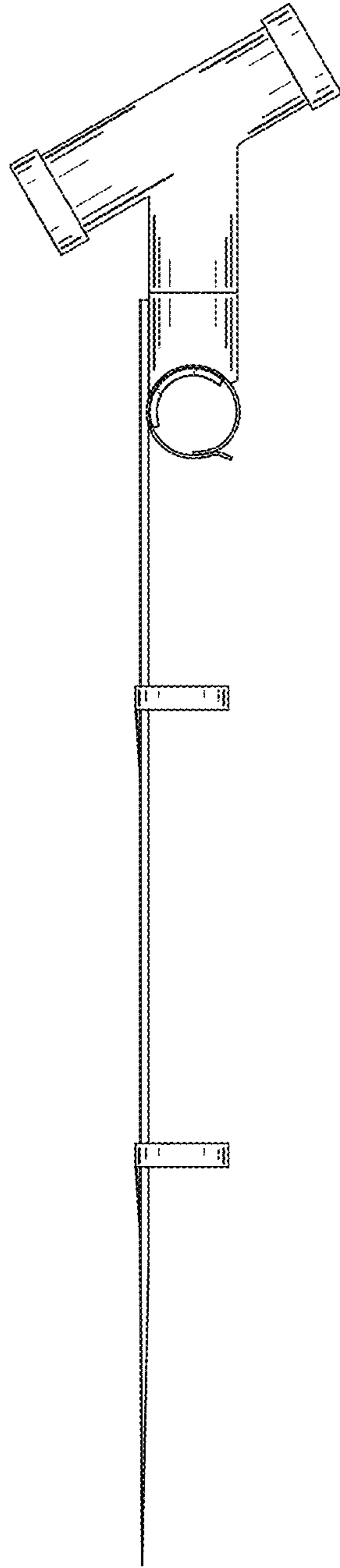


FIG. 4

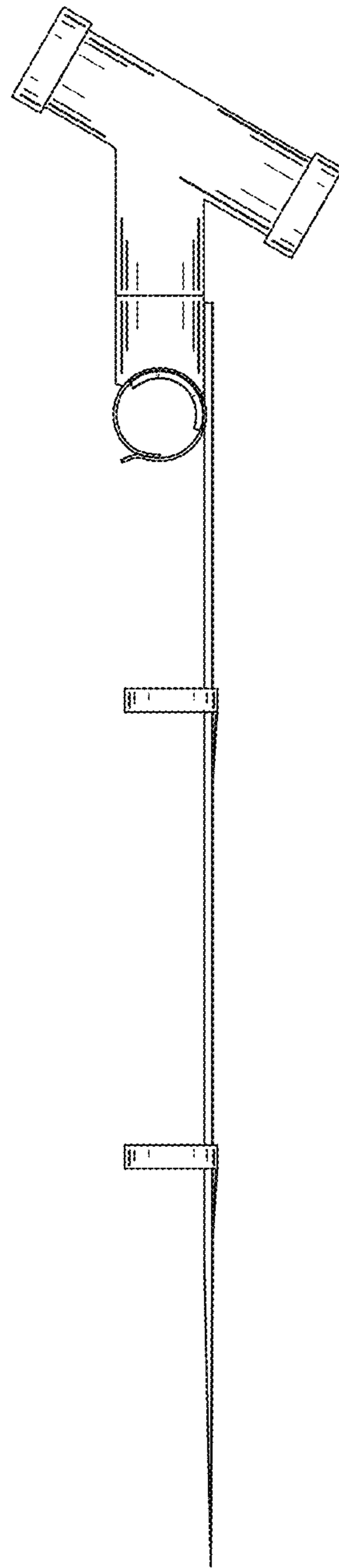


FIG. 5

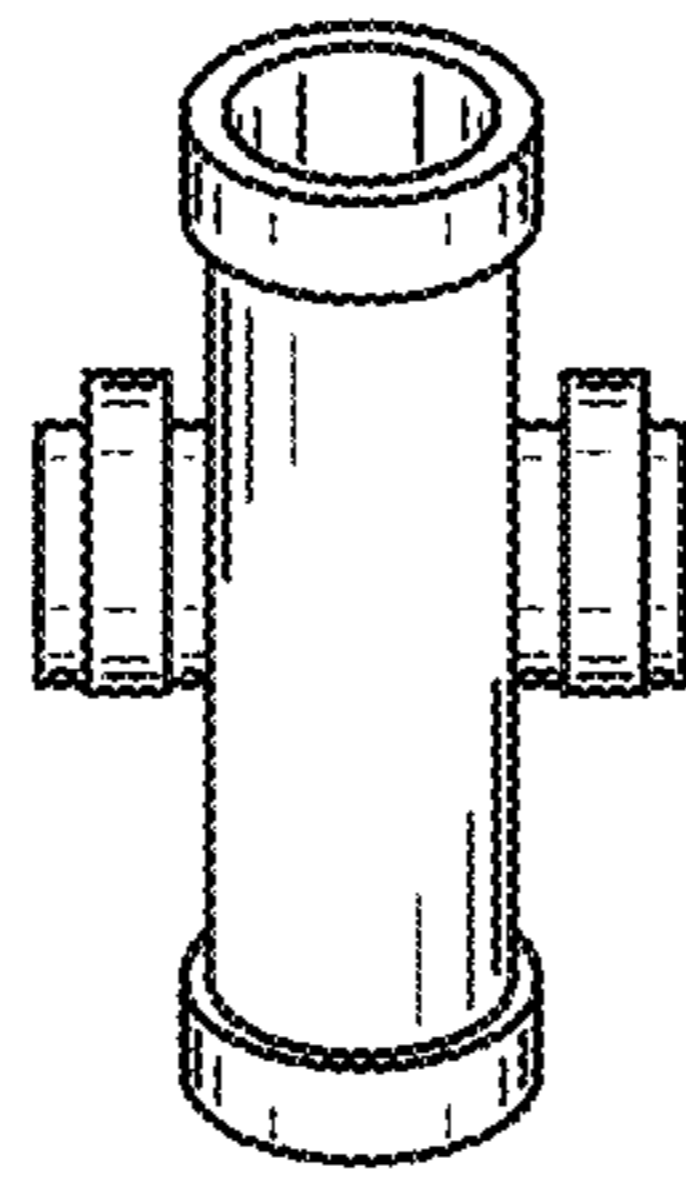


FIG. 6

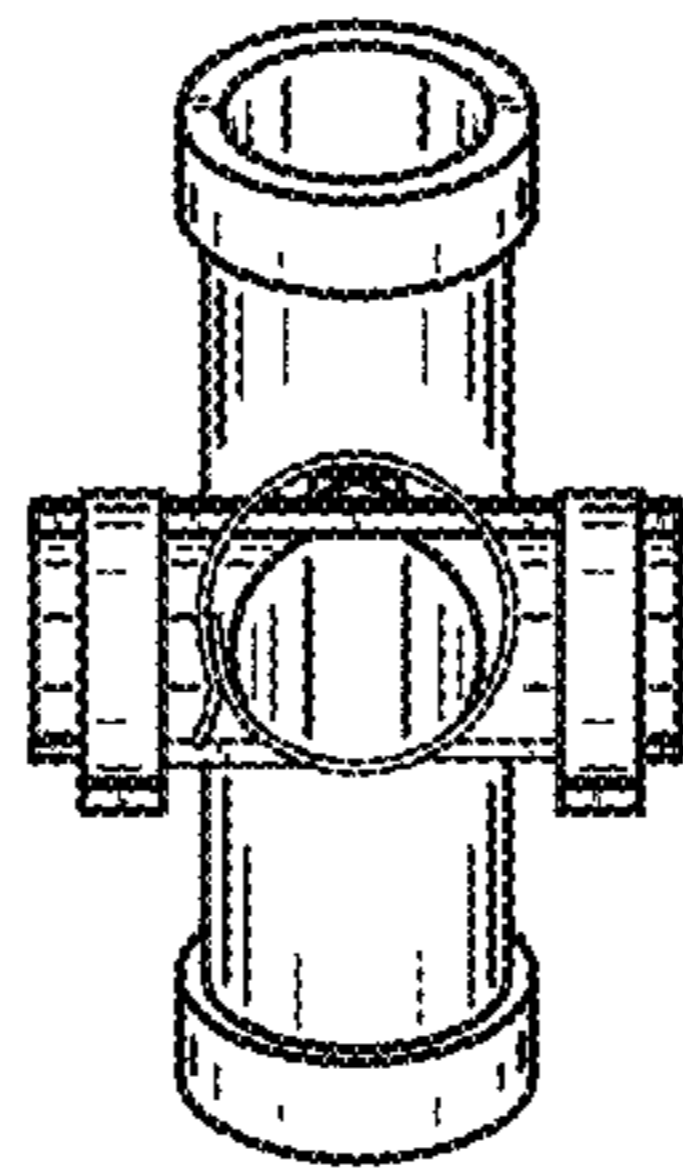


FIG. 7