



US00D812184S

(12) **United States Design Patent**  
**Flowers et al.**

(10) **Patent No.:** **US D812,184 S**  
(45) **Date of Patent:** **\*\* Mar. 6, 2018**

- (54) **ROTARY WATERFOWL DECOY**
- (71) Applicants: **Steve Wayne Flowers**, Colt, AR (US);  
**Kevin Ralph Hutcherson**, Hemphill,  
TX (US)
- (72) Inventors: **Steve Wayne Flowers**, Colt, AR (US);  
**Kevin Ralph Hutcherson**, Hemphill,  
TX (US)
- (\*\*) Term: **15 Years**
- (21) Appl. No.: **29/597,501**
- (22) Filed: **Mar. 17, 2017**
- (51) **LOC (11) Cl.** ..... **22-05**
- (52) **U.S. Cl.**  
USPC ..... **D22/125**
- (58) **Field of Classification Search**  
USPC ..... D22/125, 199; 43/1-3; 47/42, 44, 47;  
211/196; 248/156, 158, 175, 215, 530,  
248/545  
CPC ..... A01M 31/00; A01M 31/06; A47B 11/00;  
F16M 13/02  
See application file for complete search history.

- 2,624,144 A \* 1/1953 Beverman ..... A01M 31/06  
43/3
- D671,187 S \* 11/2012 Saringer ..... D22/125
- D675,700 S \* 2/2013 Saringer ..... D22/125
- D675,701 S \* 2/2013 Saringer ..... D22/125
- 9,832,988 B2 \* 12/2017 Hardebeck ..... F16M 13/02

\* cited by examiner

*Primary Examiner* — Catherine R Oliver-Garcia  
(74) *Attorney, Agent, or Firm* — Dunlap Bennett &  
Ludwig PLLC; Brendan E. Squire

(57) **CLAIM**

The ornamental design for a rotary waterfowl decoy, as shown and described.

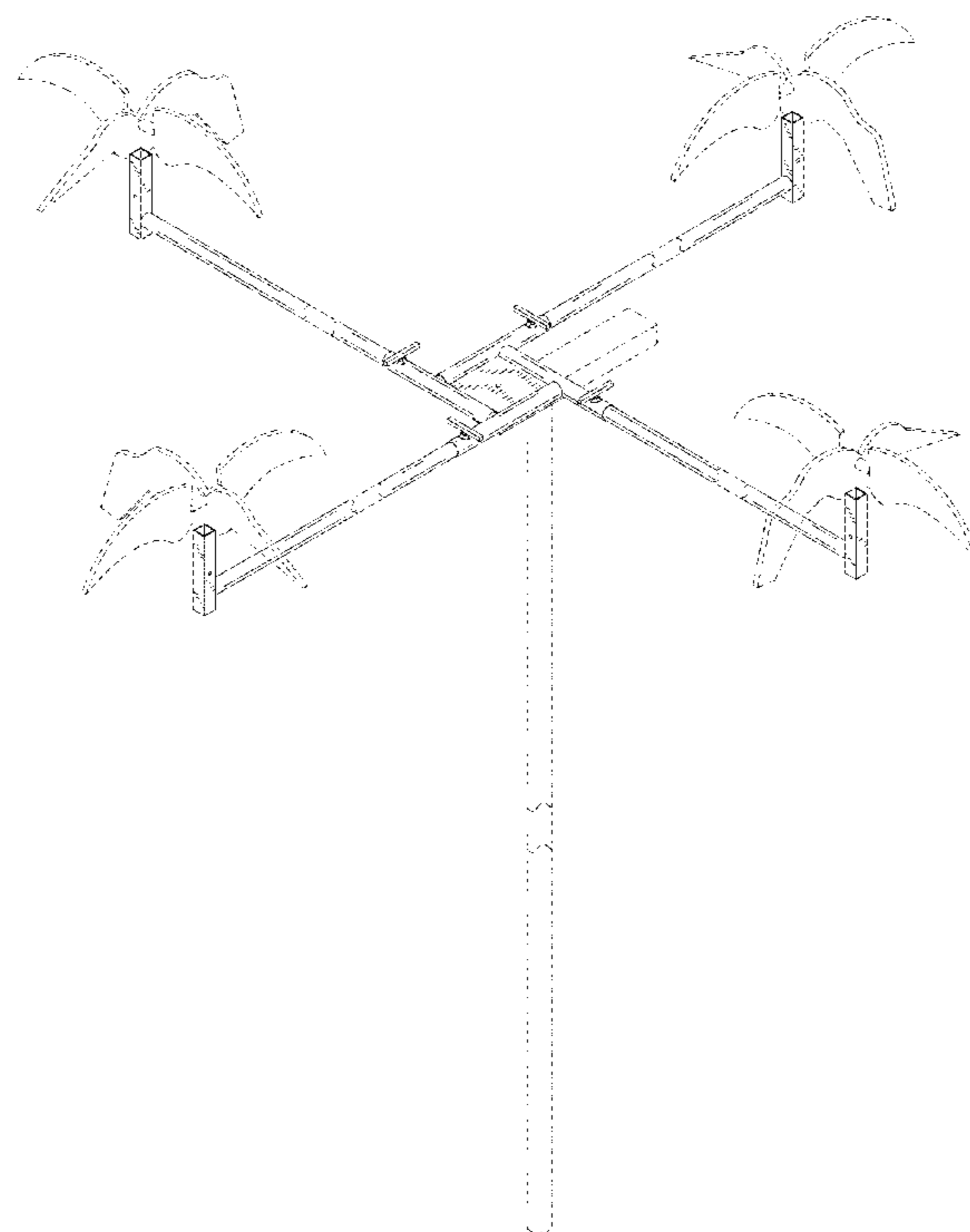
**DESCRIPTION**

FIG. 1 is a perspective view of the invention;  
 FIG. 2 is a front elevation view of the invention;  
 FIG. 3 is a right side elevation view of the invention;  
 FIG. 4 is a rear side elevation view of the invention;  
 FIG. 5 is a left side elevation view of the invention;  
 FIG. 6 is a top plan view of the invention; and,  
 FIG. 7 is a bottom plan view of the invention.

The arms of the rotary waterfowl decoy are shown with a symbolic break in their length.  
 The appearance of any portion of the article between the break lines forms no part of the claimed design.  
 The broken lines in the drawings showing the rotary waterfowl decoy illustrate environment and forms no part of the claim.

**1 Claim, 4 Drawing Sheets**

- (56) **References Cited**  
U.S. PATENT DOCUMENTS
- 1,376,282 A \* 4/1921 Kauffman ..... A01M 31/06  
43/2
- 2,547,286 A \* 4/1951 Sabin ..... A01M 31/06  
43/3
- 2,616,200 A \* 11/1952 Milam ..... A01M 31/06  
43/3



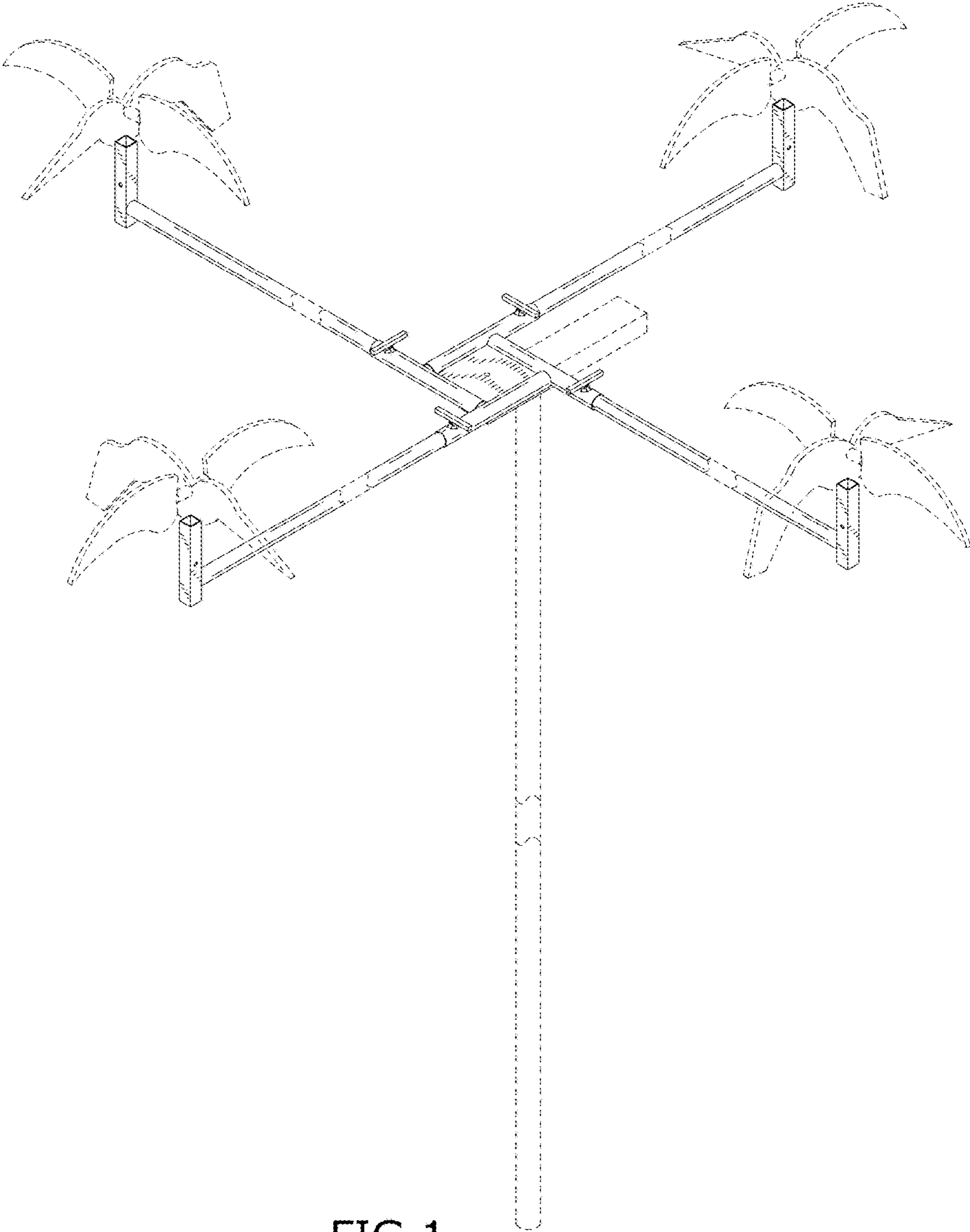
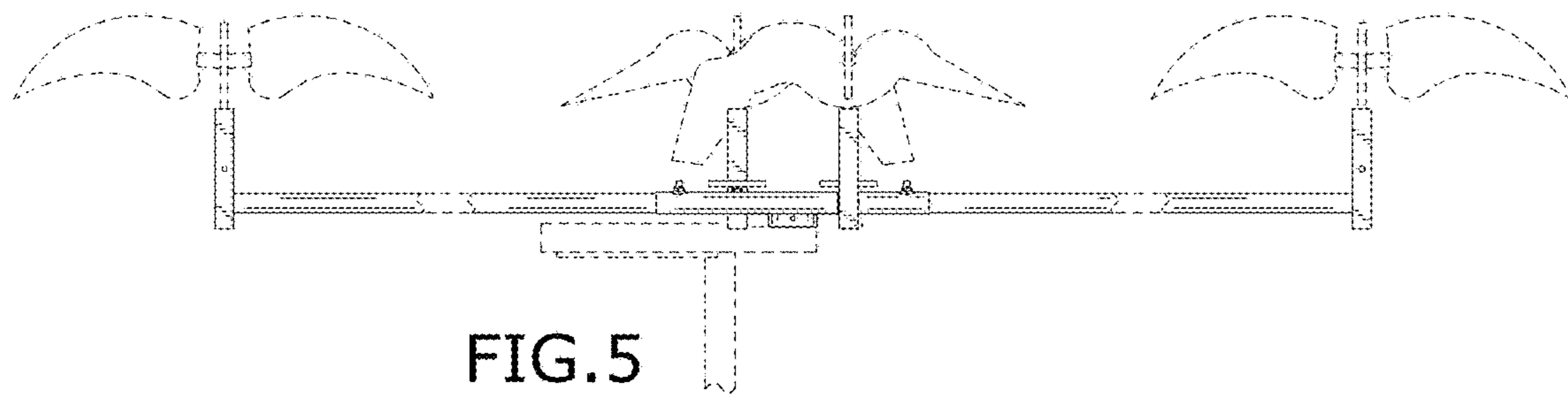
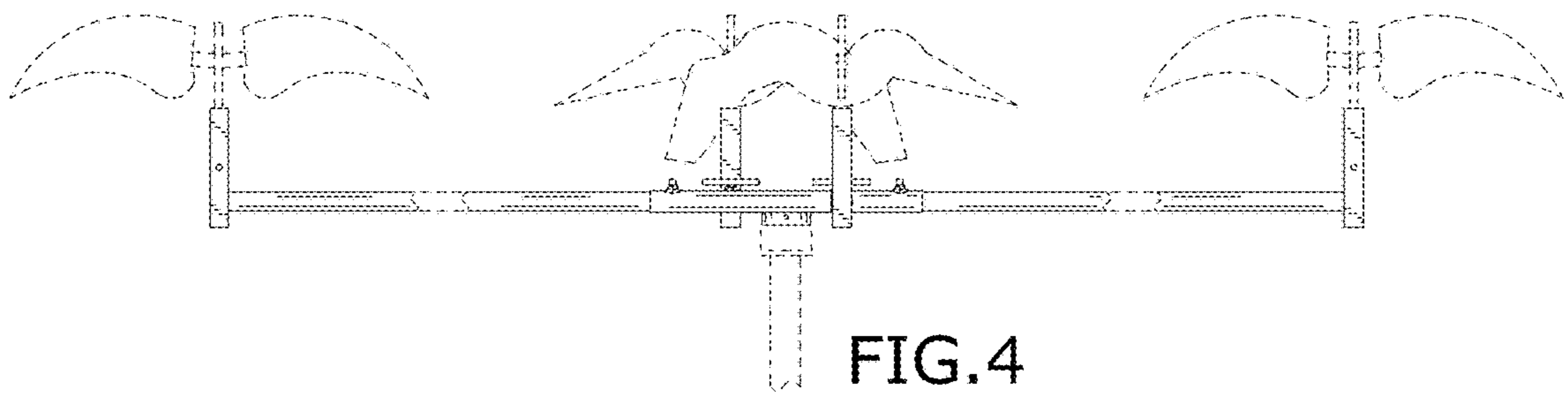
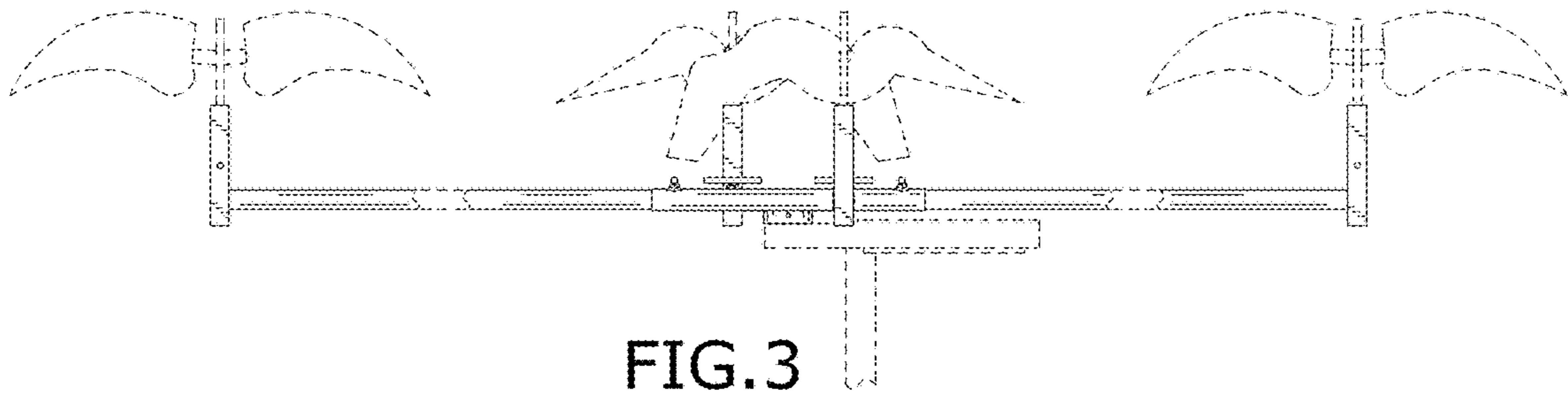
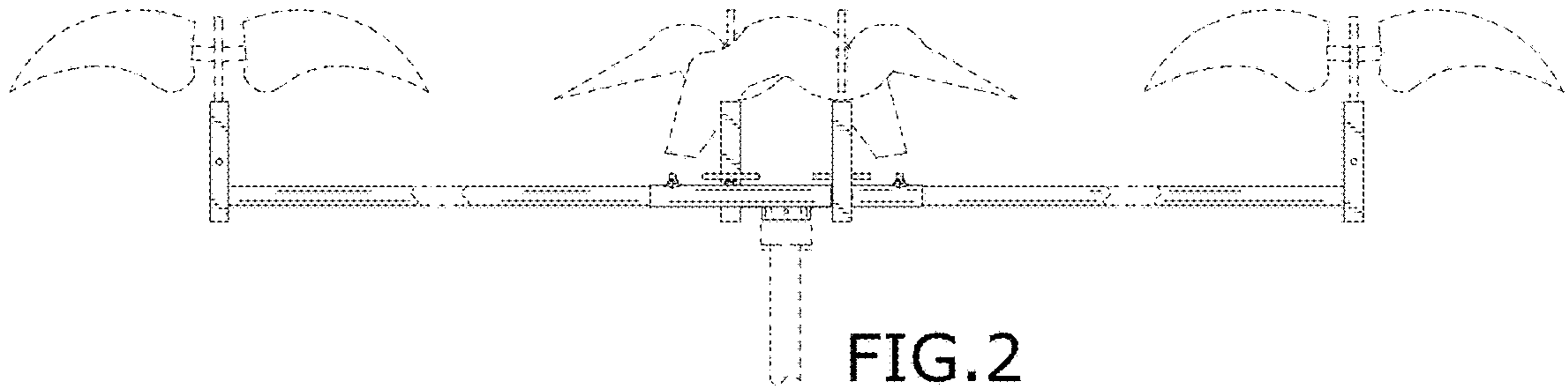


FIG. 1



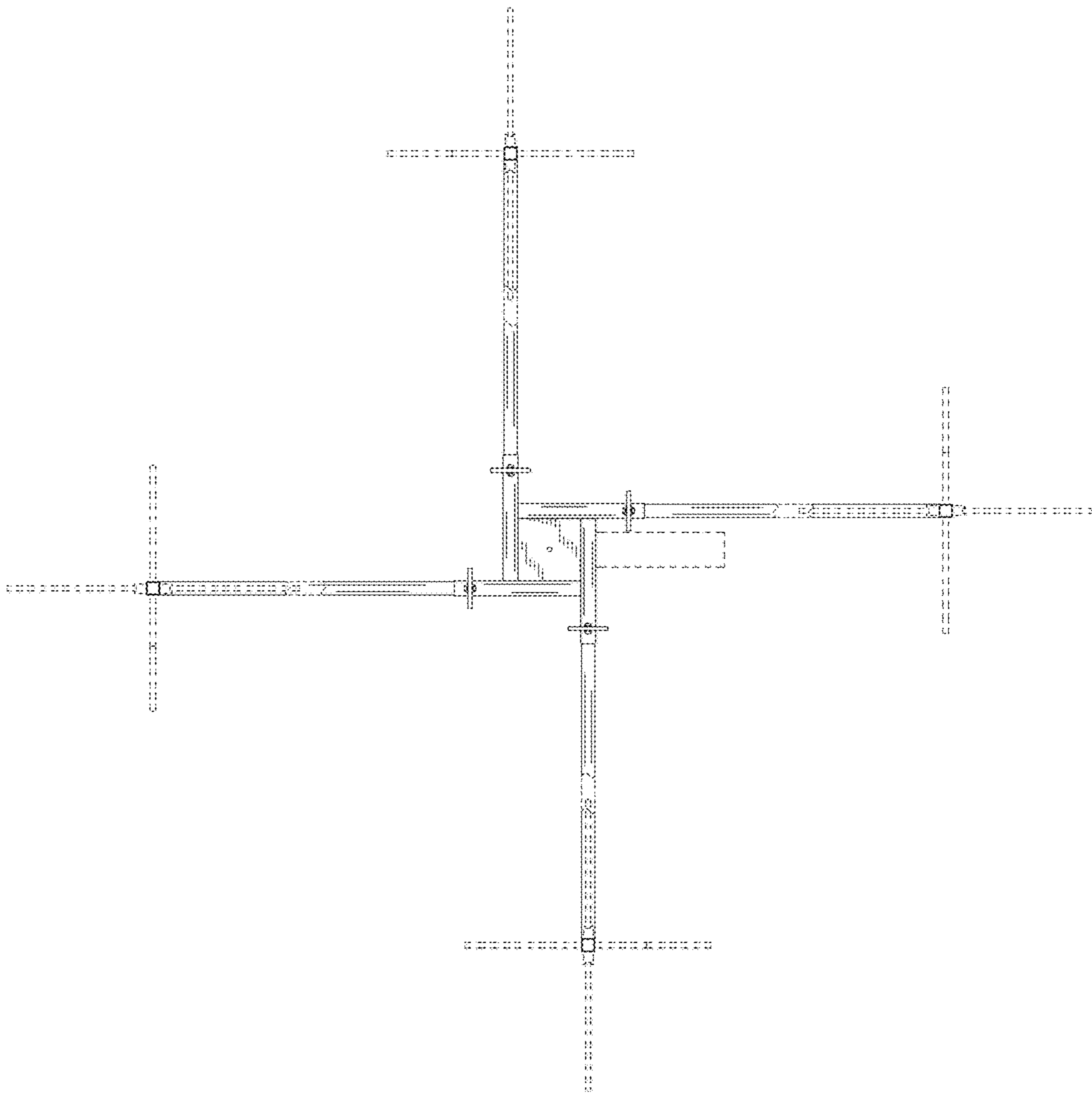


FIG.6

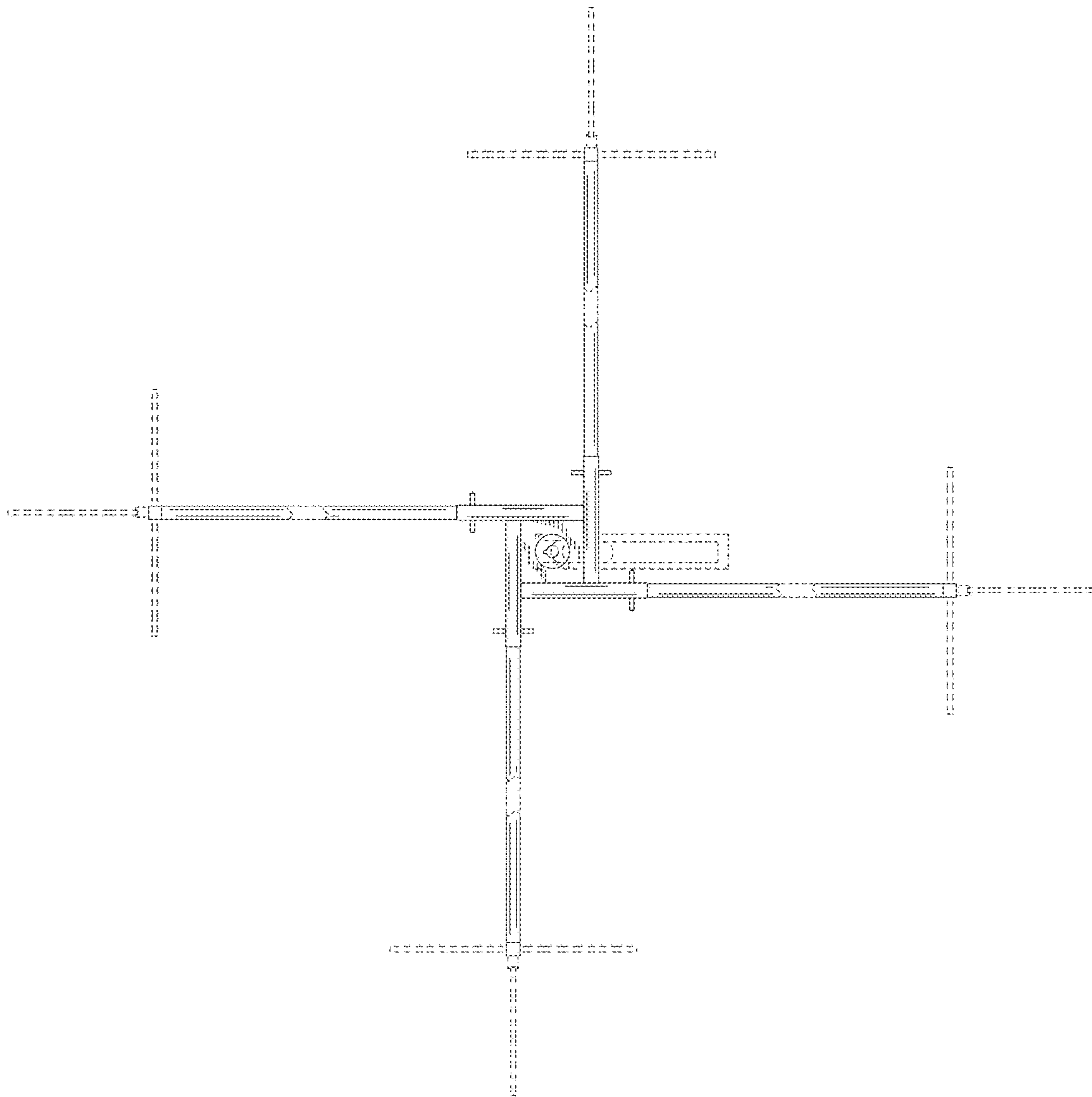


FIG. 7