



US00D812182S

(12) **United States Design Patent**  
**Ramasubramanian et al.**

(10) **Patent No.:** **US D812,182 S**  
(45) **Date of Patent:** **\*\* Mar. 6, 2018**

- (54) **LASER DEVICE**
- (71) Applicant: **Crimson Trace Corporation**,  
Wilsonville, OR (US)
- (72) Inventors: **Pradeep Ramasubramanian**, Portland,  
OR (US); **William Johnston**,  
Sherwood, OR (US)
- (73) Assignee: **Crimson Trace Corporation**,  
Wilsonville, OR (US)

8,256,154 B2 \* 9/2012 Danielson ..... F41A 19/11  
42/117  
D669,553 S \* 10/2012 Hughes ..... D22/109  
D669,958 S \* 10/2012 Essig ..... D22/108  
D669,959 S \* 10/2012 Johnston ..... D22/108  
D674,861 S \* 1/2013 Johnston ..... D22/109  
D674,862 S \* 1/2013 Johnston ..... D22/109  
D687,120 S \* 7/2013 Hughes ..... D22/109  
D692,518 S \* 10/2013 Anderson ..... D22/108  
D693,898 S \* 11/2013 Essig ..... D22/108

(Continued)

- (\*\*) Term: **15 Years**
- (21) Appl. No.: **29/573,019**
- (22) Filed: **Aug. 2, 2016**
- (51) **LOC (11) Cl.** ..... **22-01**
- (52) **U.S. Cl.**  
USPC ..... **D22/109**
- (58) **Field of Classification Search**  
USPC ..... D22/108-109; 89/111-113; 359/399,  
359/823, 744; 42/104, 105, 111-113,  
42/116, 120, 124-126, 127-129,  
42/141-148, 133-140; 33/227, 229  
CPC . F41G 1/35; F41G 11/003; F41G 1/00; F41G  
1/36; F41G 1/34; F41G 3/26  
See application file for complete search history.

**OTHER PUBLICATIONS**

LG-497GH Green Laserguard with Pocket Holster for Ruger LCP II, CrimsonTrace.com, [online], [site visited Jun. 14, 2017]. URL: [https://www.crimsontrace.com/products/type/laserguard/01-7630.\\*](https://www.crimsontrace.com/products/type/laserguard/01-7630.*)

(Continued)

*Primary Examiner* — T. Chase Nelson  
*Assistant Examiner* — Jonathan J. Han  
(74) *Attorney, Agent, or Firm* — Schwabe, Williamson & Wyatt, P.C.

(57) **CLAIM**

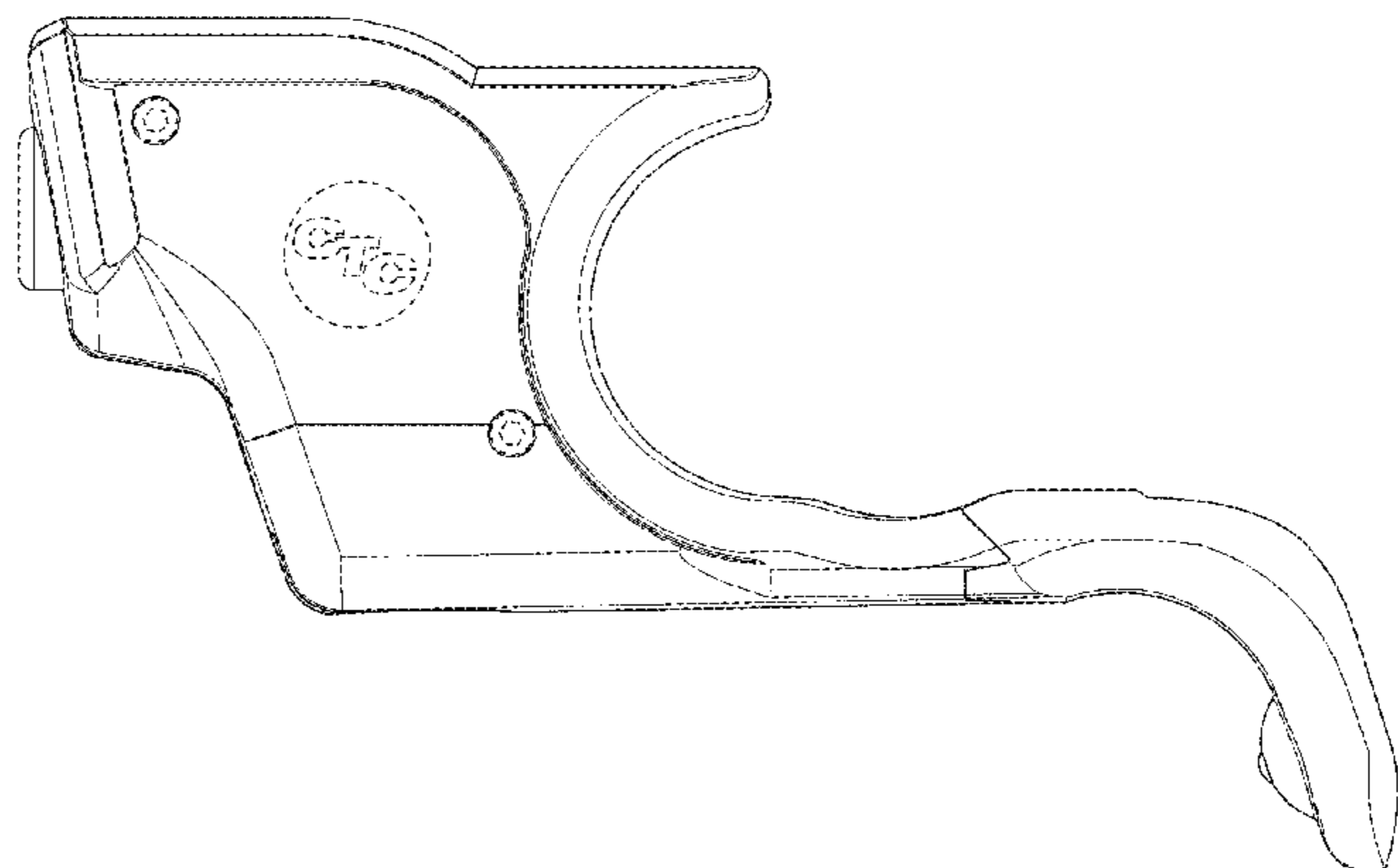
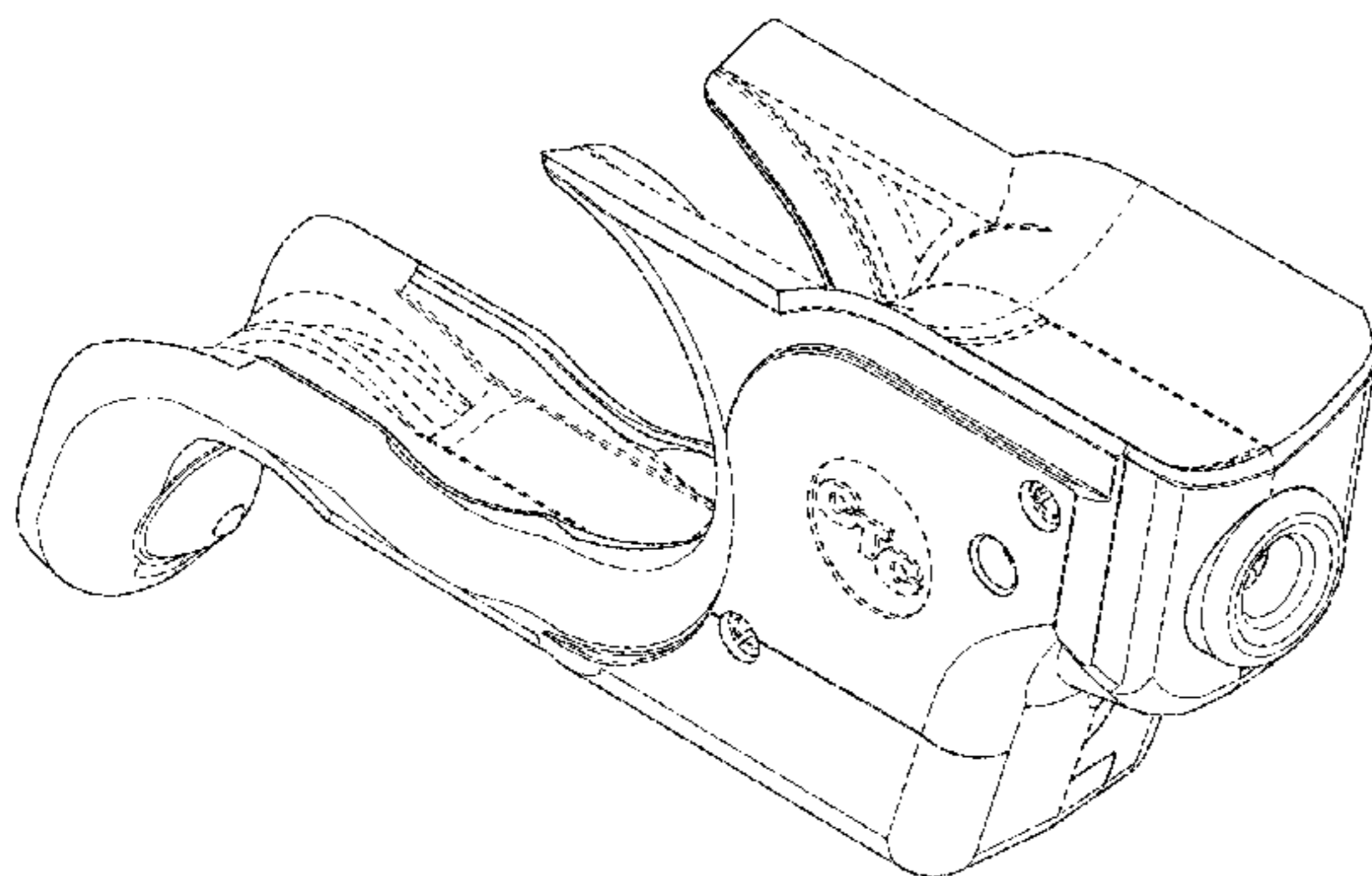
We claim an ornamental design for a laser device, as shown and described.

**DESCRIPTION**

FIG. 1 is a perspective view of a laser device, showing our new design;  
FIG. 2 is a front view thereof;  
FIG. 3 is a rear view thereof;  
FIG. 4 is a right side view thereof;  
FIG. 5 is a left side view thereof;  
FIG. 6 is a top view thereof; and,  
FIG. 7 is a bottom view thereof.  
The dashed lines are included for illustrating interior and/or environmental structures and form no part of the claimed design.

**1 Claim, 6 Drawing Sheets**

- (56) **References Cited**  
U.S. PATENT DOCUMENTS  
4,856,218 A \* 8/1989 Reynolds, Jr. .... F41G 1/345  
362/110  
D603,478 S \* 11/2009 Hughes ..... F41G 11/001  
D22/110  
D612,756 S \* 3/2010 D'Amelio ..... D10/70  
7,743,547 B2 \* 6/2010 Houde-Walter ..... F41G 1/35  
362/110  
D636,049 S \* 4/2011 Hughes ..... F41G 11/001  
D22/109  
D636,837 S \* 4/2011 Hughes ..... F41G 11/001  
D22/109



(56)

References Cited

U.S. PATENT DOCUMENTS

D694,847 S \* 12/2013 Anderson ..... D22/108  
 D694,848 S \* 12/2013 Anderson ..... D22/109  
 D696,376 S \* 12/2013 Anderson ..... D22/109  
 D709,981 S \* 7/2014 Johnston ..... D22/108  
 8,915,009 B2 \* 12/2014 Caulk ..... F41G 1/35  
 42/114  
 D738,456 S \* 9/2015 Hughes ..... D22/109  
 D738,457 S \* 9/2015 Johnston ..... D22/109  
 D742,991 S \* 11/2015 Klecker ..... D22/109  
 D755,340 S \* 5/2016 Essig ..... D22/109  
 D763,400 S \* 8/2016 Johnston ..... D22/109  
 9,488,445 B2 \* 11/2016 Houde-Walter ..... F41G 1/35  
 9,658,031 B1 \* 5/2017 Hedeem ..... F41G 1/35  
 2012/0124885 A1 \* 5/2012 Caulk ..... F41G 1/35  
 42/146  
 2012/0144718 A1 \* 6/2012 Danielson ..... F41A 19/11  
 42/117  
 2013/0074351 A1 \* 3/2013 Kowalczyk ..... G01B 11/27  
 33/286  
 2013/0145672 A1 \* 6/2013 Tuller, Jr. .... F41G 1/00  
 42/114  
 2016/0209168 A1 \* 7/2016 Sharrah ..... F41G 11/004

OTHER PUBLICATIONS

LG-412-HBT Laserguard with Blade-Tech Holster for Ruger LC9  
 LC9S LC9S Pro and LC380, CrimsonTrace.com, [online], [site  
 visited Jun. 14, 2017]. URL: <https://www.crimsontrace.com/products/type/laserguard/01-5820>.\*

LG-407 Laserguard for Taurus TCP, CrimsonTrace.com, [online],  
 [site visited Jun. 14, 2017]. URL: <https://www.crimsontrace.com/products/type/laserguard/01-4000>.\*

LG-431 Laserguard for Ruger LCP, CrimsonTrace.com, [online],  
 [site visited Jun. 14, 2017]. URL: <https://www.crimsontrace.com/products/type/laserguard/01-2250>.\*

LG-453 Laserguard Green Laser Sight for Springfield Armory XD  
 & XD(M), CrimsonTrace.com, [online], [site visited Jun. 14, 2017].  
 URL: <https://www.crimsontrace.com/products/type/laserguard/01-3450>.\*

New From Springfield Armory: XD-S Pistol With Crimson Trace  
 Laserguard, ConcealedNation.org, Posted by Brandon Curtis, Jan.  
 27, 2016, [online], [site visited Jun. 14, 2017]. URL: <http://concealednation.org/2016/01/new-from-springfield-armory-xd-s-pistol-with-crimson-trace-laserguard/>.\*

\* cited by examiner

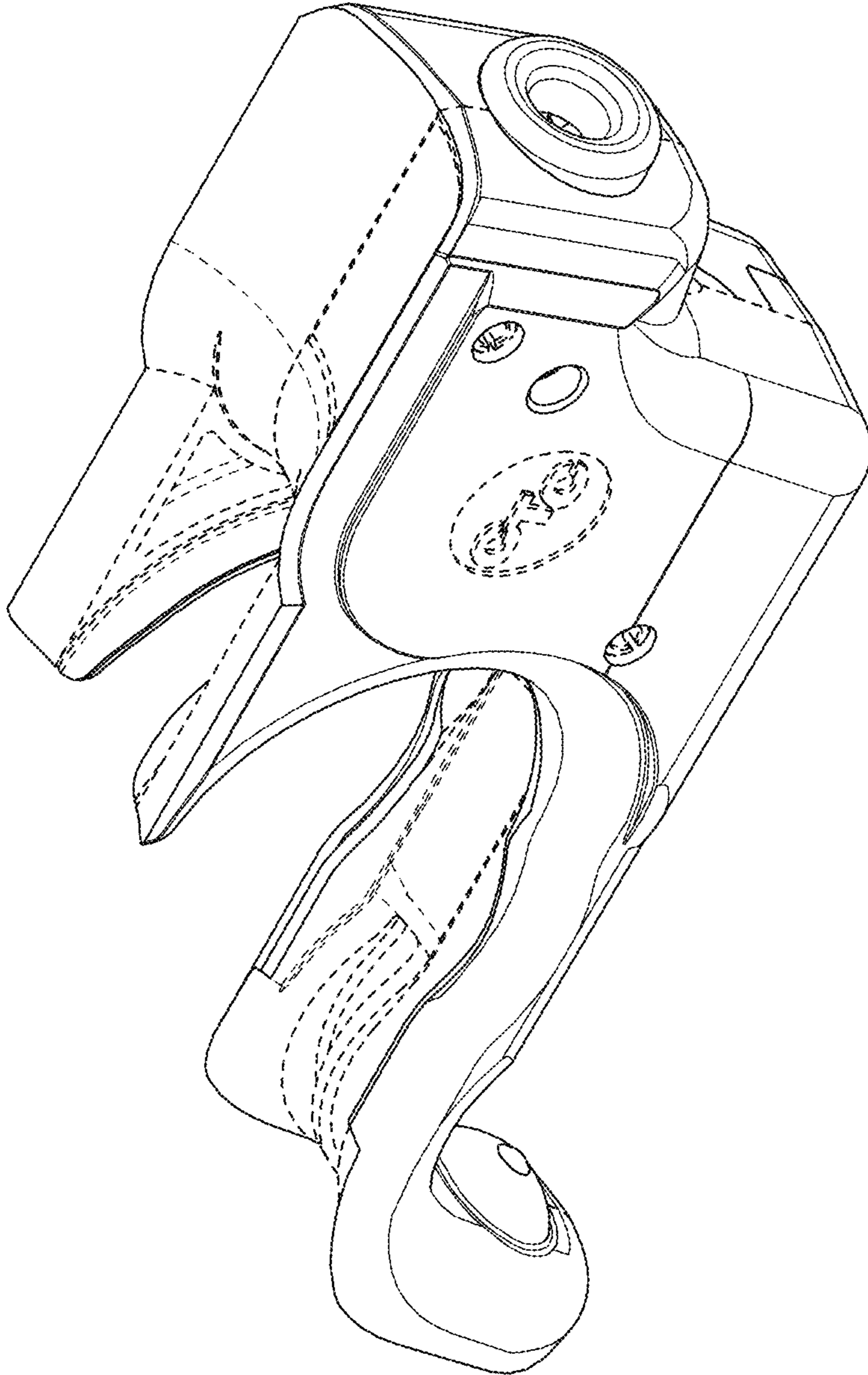


FIG. 1

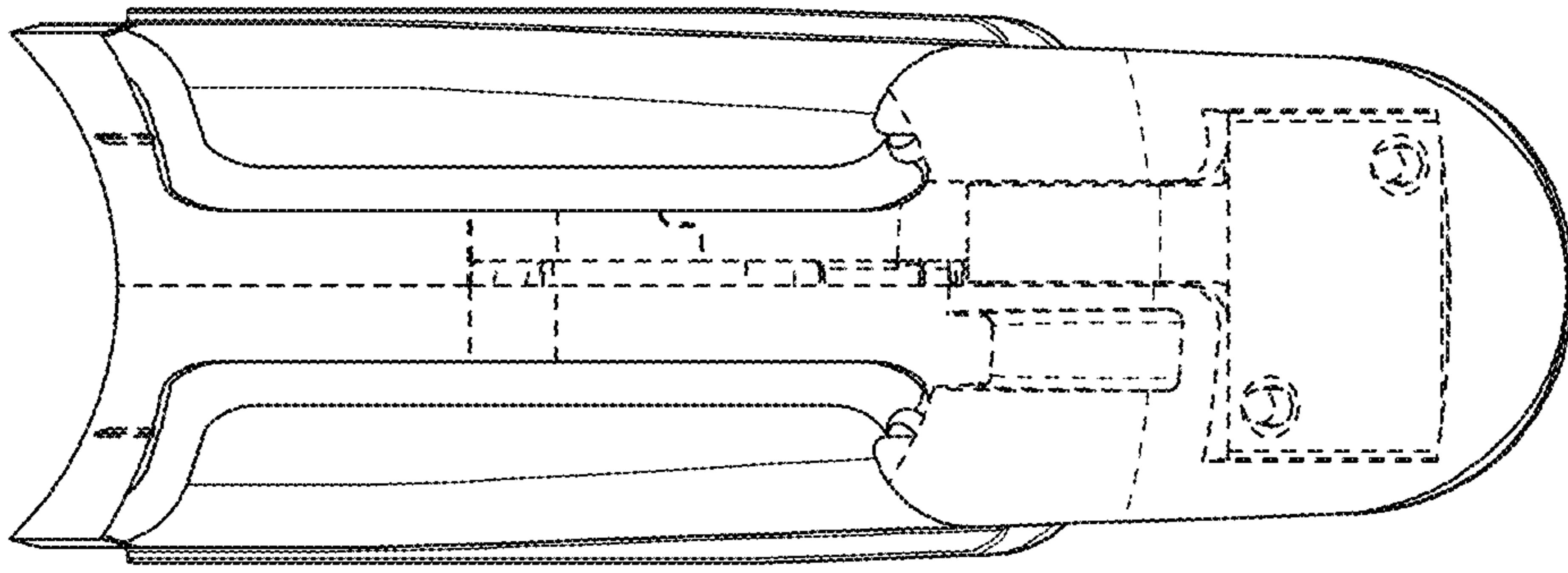


FIG. 3

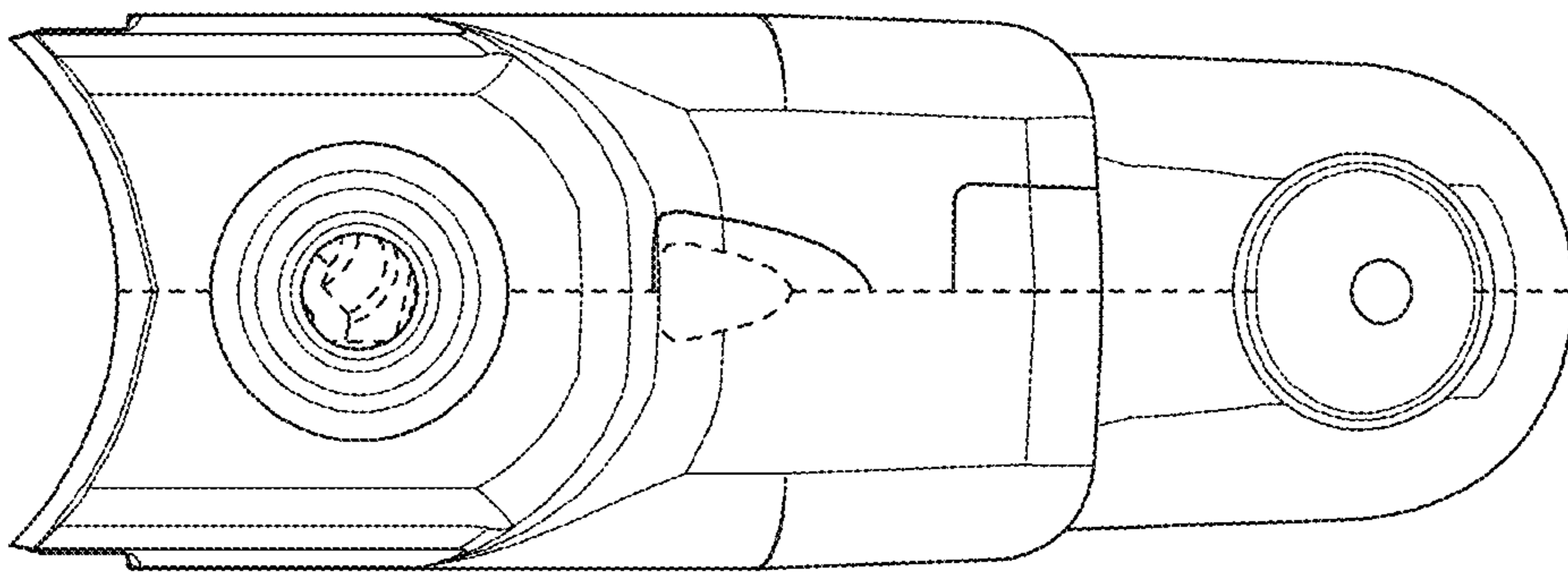


FIG. 2

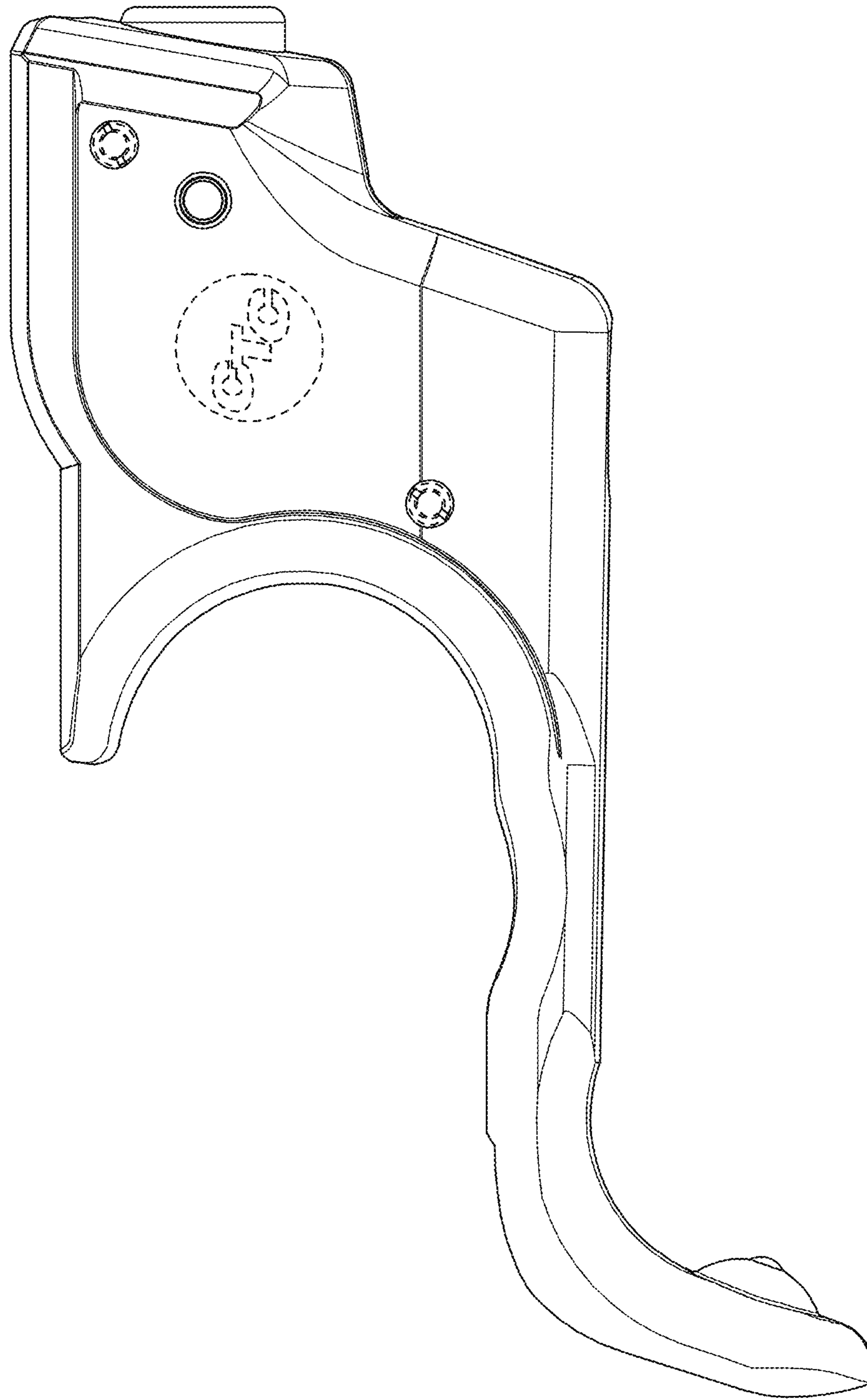


FIG. 4

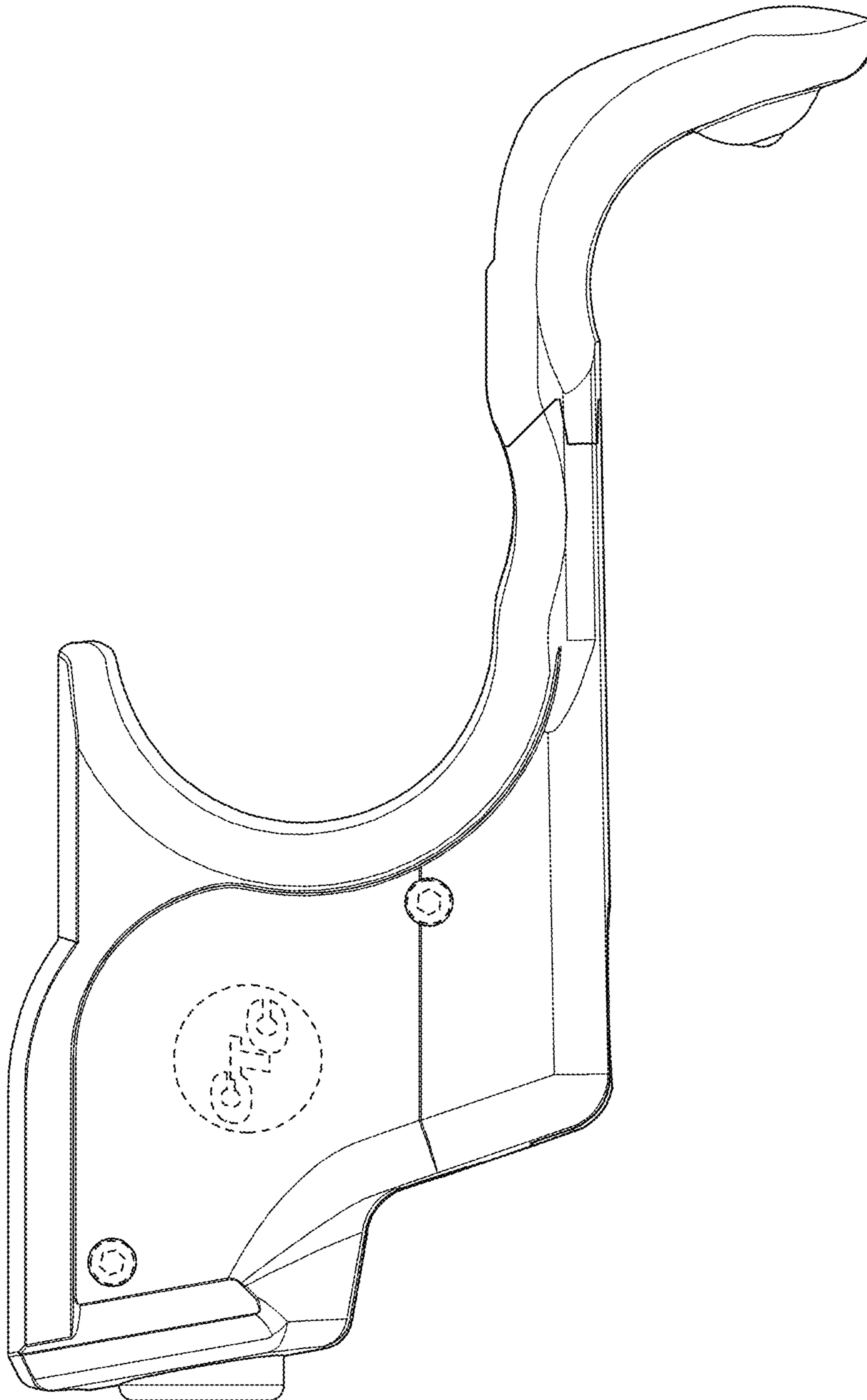


FIG. 5

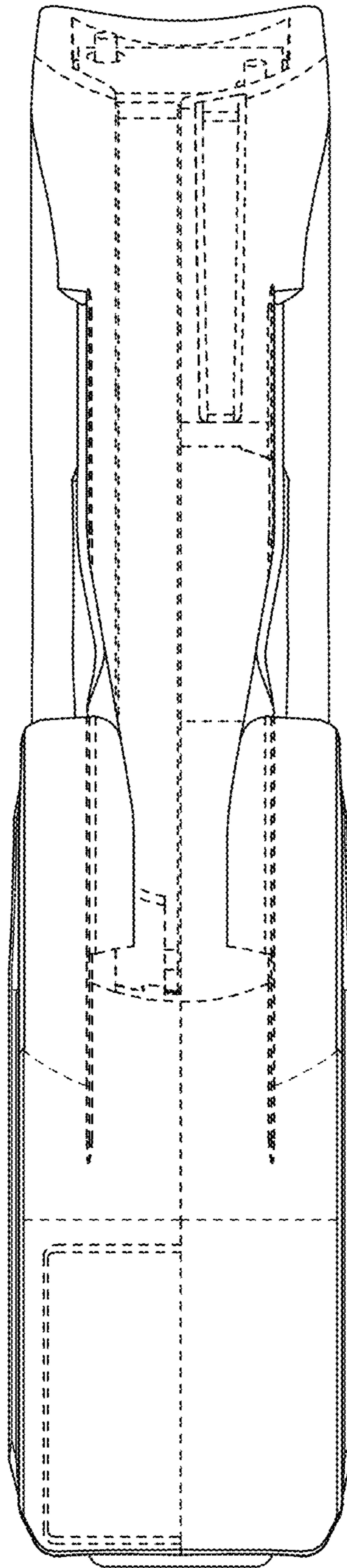


FIG. 6

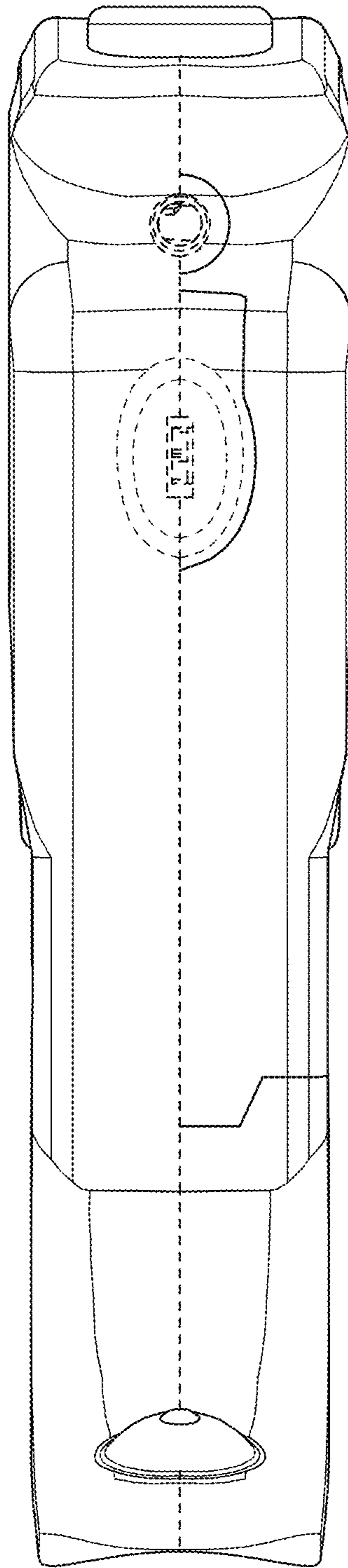


FIG. 7