



US00D812180S

(12) **United States Design Patent**
Anderson

(10) **Patent No.:** **US D812,180 S**
(45) **Date of Patent:** **** Mar. 6, 2018**

(54) **LASER DEVICE**

(71) Applicant: **Crimson Trace Corporation,**
Wilsonville, OR (US)

(72) Inventor: **Danny Homem de Mello Anderson,**
Wilsonville, OR (US)

(73) Assignee: **Crimson Trace Corporation,**
Wilsonville, OR (US)

(**) Term: **15 Years**

(21) Appl. No.: **29/572,583**

(22) Filed: **Jul. 28, 2016**

(51) **LOC (11) Cl.** **22-01**

(52) **U.S. Cl.**
USPC **D22/109**

(58) **Field of Classification Search**
USPC D22/108–109; 89/111–113; 359/399,
359/823, 744; 42/104, 105, 111–113,
42/116, 120, 124–126, 127–129,
42/141–148, 133–140; 33/227, 229
CPC . F41G 1/35; F41G 11/003; F41G 1/00; F41G
1/36; F41G 1/34; F41G 3/26
See application file for complete search history.

(56) **References Cited**

U.S. PATENT DOCUMENTS

- 4,856,218 A * 8/1989 Reynolds, Jr. F41G 1/345
362/110
- D603,478 S * 11/2009 Hughes F41G 11/001
D22/110
- D612,756 S * 3/2010 D'Amelio D10/70
- 7,743,547 B2 * 6/2010 Houde-Walter F41G 1/35
362/110
- D636,049 S * 4/2011 Hughes F41G 11/001
D22/109
- D636,837 S * 4/2011 Hughes F41G 11/001
D22/109
- 8,256,154 B2 * 9/2012 Danielson F41A 19/11
42/117
- D669,553 S * 10/2012 Hughes D22/109

- D669,958 S * 10/2012 Essig D22/108
- D669,959 S * 10/2012 Johnston D22/108
- D674,861 S * 1/2013 Johnston D22/109
- D674,862 S * 1/2013 Johnston D22/109
- D687,120 S * 7/2013 Hughes D22/109
- D692,518 S * 10/2013 Anderson D22/108
- D693,898 S * 11/2013 Essig D22/108

(Continued)

OTHER PUBLICATIONS

AimSHOT Ruger LCP Compact Red Triggerguard Laser,
CheaperThanDirt.com, [online], [site visited Jun. 14, 2017]. URL:
https://www.cheaperthandirt.com/product/aimshot-ruger-lcp-compact-red-triggerguard-laser-kt6506-669256065067.do?sortBy=ourPicks&refType=&from=fn.*

(Continued)

Primary Examiner — T. Chase Nelson
Assistant Examiner — Jonathan J. Han
(74) *Attorney, Agent, or Firm* — Schwabe, Williamson &
Wyatt P.C.

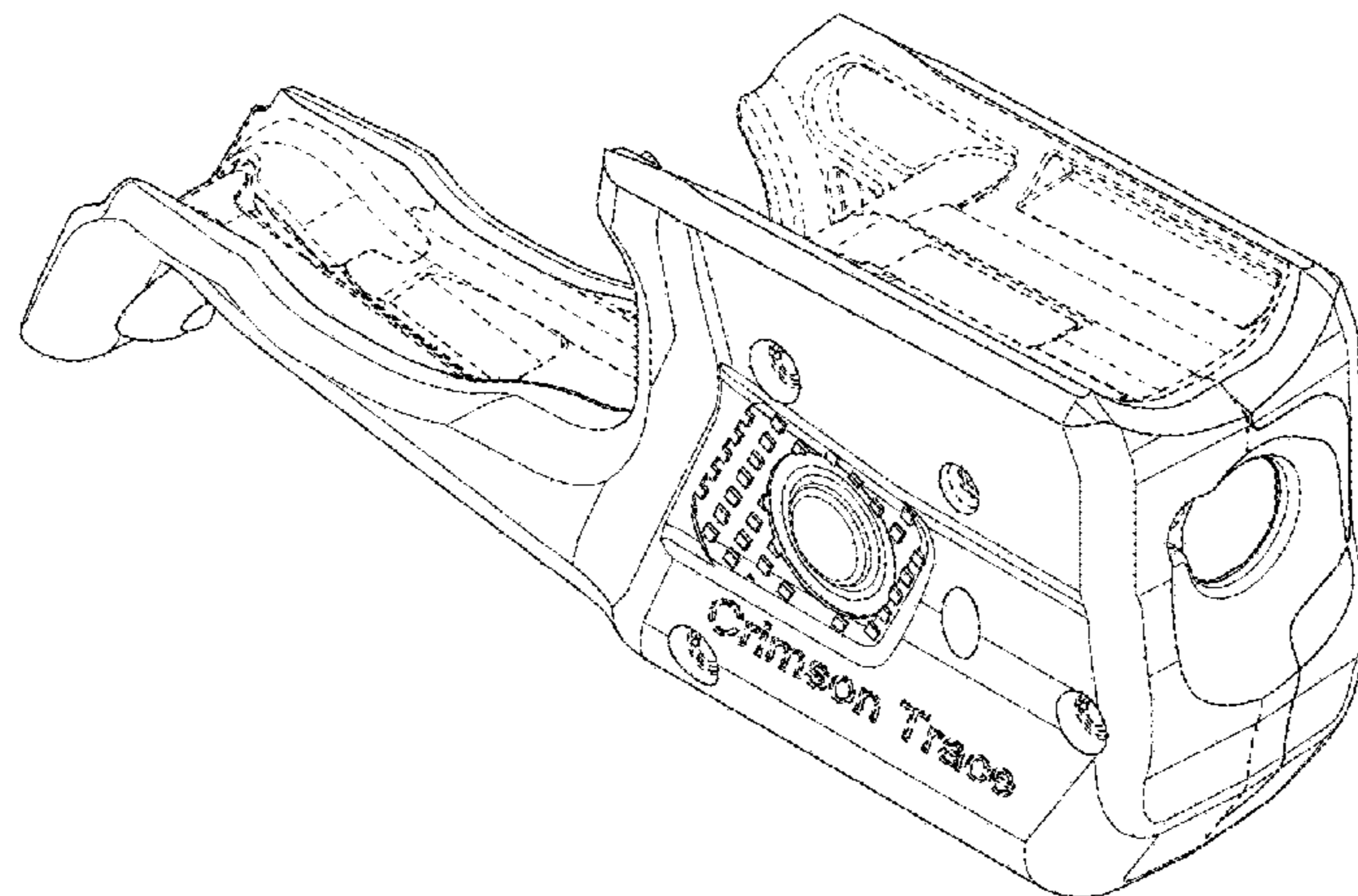
(57) **CLAIM**

I claim the ornamental design for a laser device, as shown
and described.

DESCRIPTION

FIG. 1 is a perspective view of a laser device, showing my
new design;
FIG. 2 is a front view thereof;
FIG. 3 is a rear view thereof;
FIG. 4 is a right side view thereof;
FIG. 5 is a left side view thereof;
FIG. 6 is a top view thereof; and,
FIG. 7 is a bottom view thereof.
The dashed lines are included for illustrating interior and/or
environmental structures and form no part of the claimed
design.

1 Claim, 6 Drawing Sheets



(56)

References Cited

U.S. PATENT DOCUMENTS

D694,847 S * 12/2013 Anderson D22/108
 D694,848 S * 12/2013 Anderson D22/109
 D696,376 S * 12/2013 Anderson D22/109
 D709,981 S * 7/2014 Johnston D22/108
 8,915,009 B2 * 12/2014 Caulk F41G 1/35
 42/114
 D738,456 S * 9/2015 Hughes D22/109
 D738,457 S * 9/2015 Johnston D22/109
 D742,991 S * 11/2015 Klecker D22/109
 D755,340 S * 5/2016 Essig D22/109
 D763,400 S * 8/2016 Johnston D22/109
 9,488,445 B2 * 11/2016 Houde-Walter F41G 1/35
 9,658,031 B1 * 5/2017 Hedeon F41G 1/35
 2012/0124885 A1 * 5/2012 Caulk F41G 1/35
 42/146
 2012/0144718 A1 * 6/2012 Danielson F41A 19/11
 42/117

2013/0074351 A1 * 3/2013 Kowalczyk G01B 11/27
 33/286
 2013/0145672 A1 * 6/2013 Tuller, Jr. F41G 1/00
 42/114
 2016/0209168 A1 * 7/2016 Sharrah F41G 11/004

OTHER PUBLICATIONS

LaserMax Centerfire Red Laser 9mm .40 Kahr Black Trigger Guard Mount, CF-Kahr-PM9, Amazon.com, [online], [site visited Jun. 14, 2017]. URL: <https://www.amazon.com/LaserMax-CenterFire-Laser-Trigger-CF-Kahr-PM9/dp/B00DYNK13Q>.
 Streamlight 69275 TLT-6 Tactical Pistol Mount Flashlight 100 Lumen with Integrated Red Aiming Laser for Sign Sauer P238/P938, Black, Amazon.com, Date First Available: Nov. 20, 2015, [online], [site visited Jun. 14, 2017]. URL: https://www.amazon.com/Streamlight-69275-Tactical-Flashlight-Integrated/dp/B0188YF8PQ/ref=sr_1_60?s=sporting-goods&ie=UTF8&qid=1497472191&sr=1-60&keywords=trigger+guard+laser.

* cited by examiner

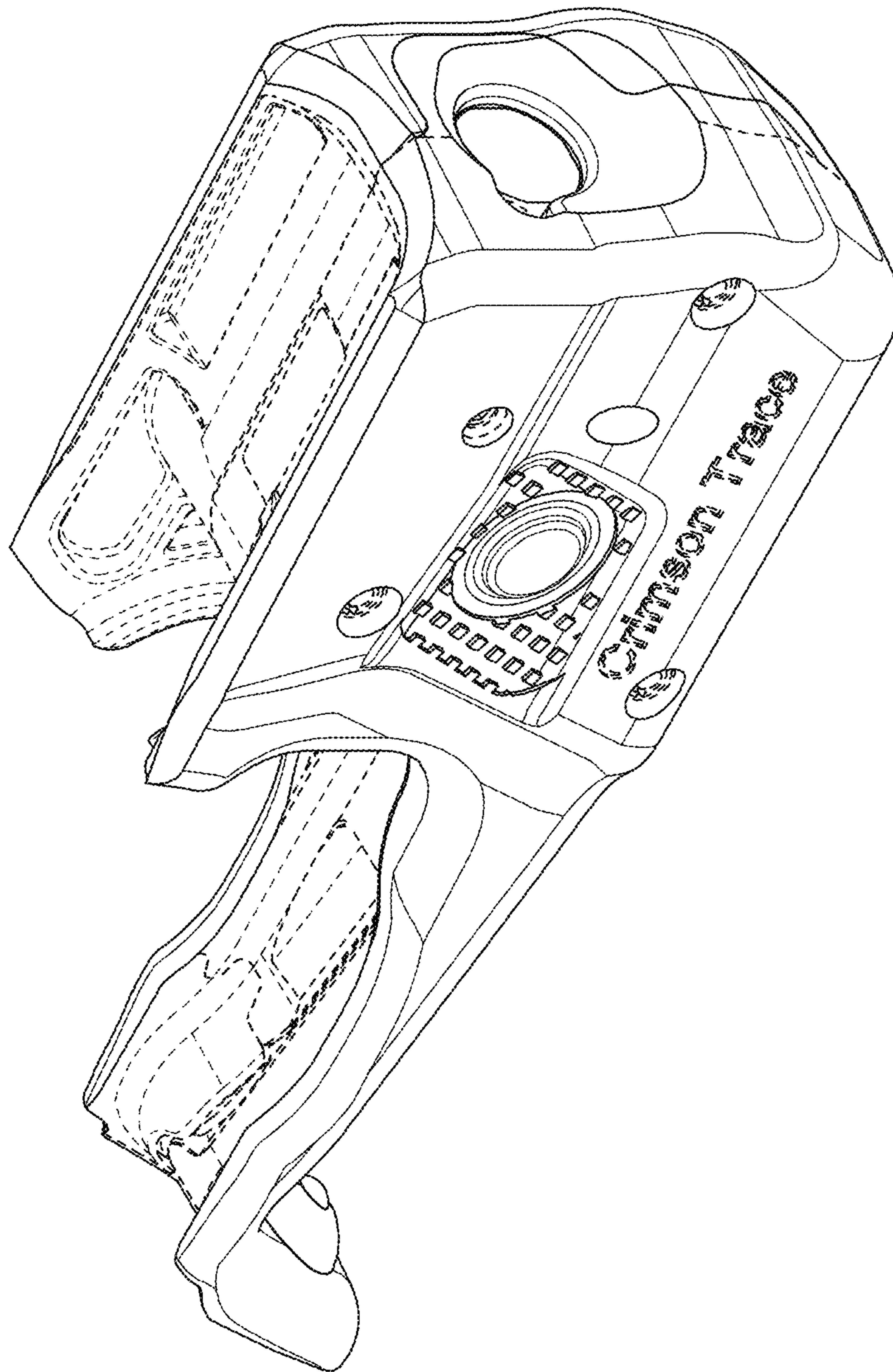


FIG. 1

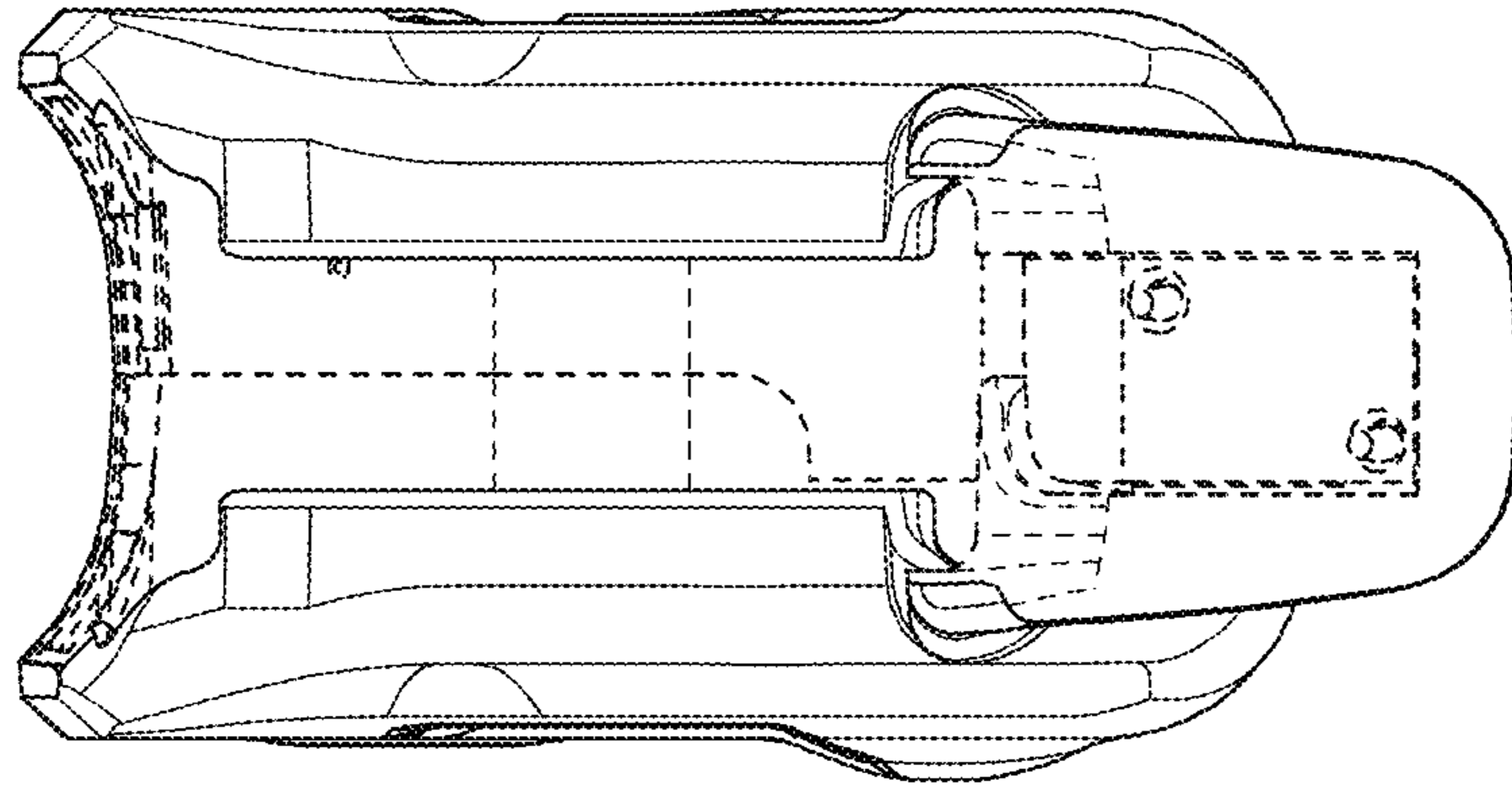


FIG. 2

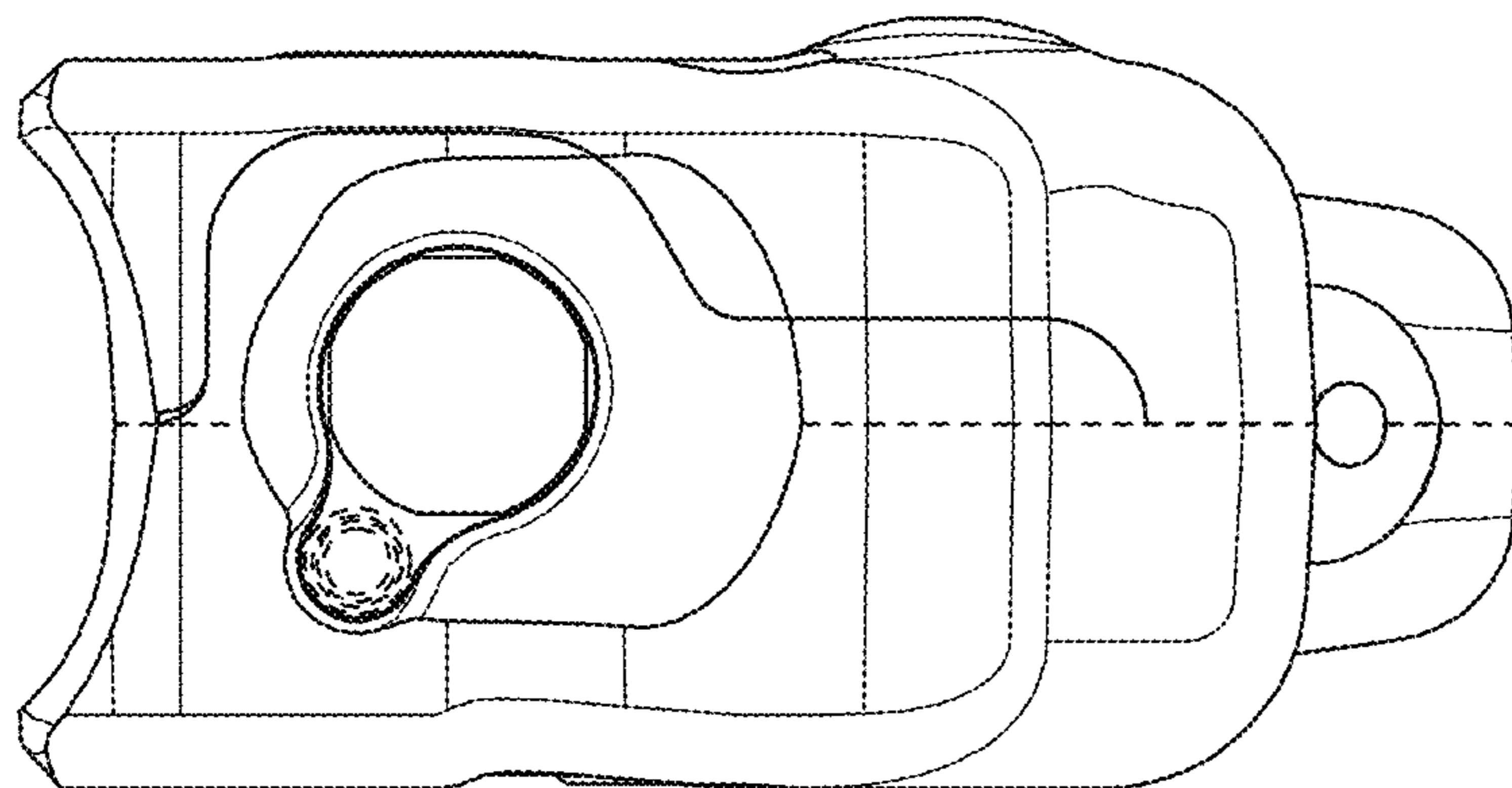


FIG. 3

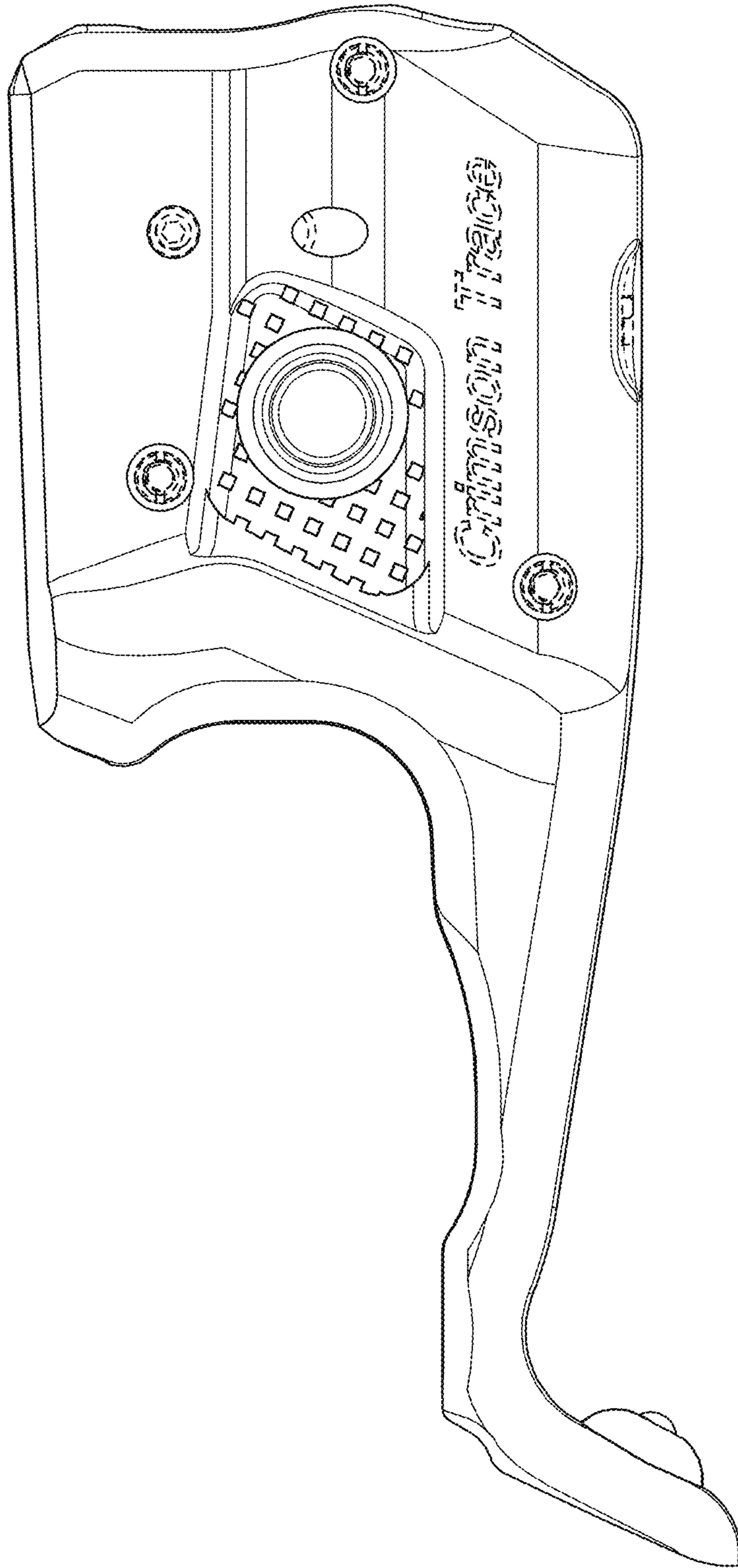


FIG. 4

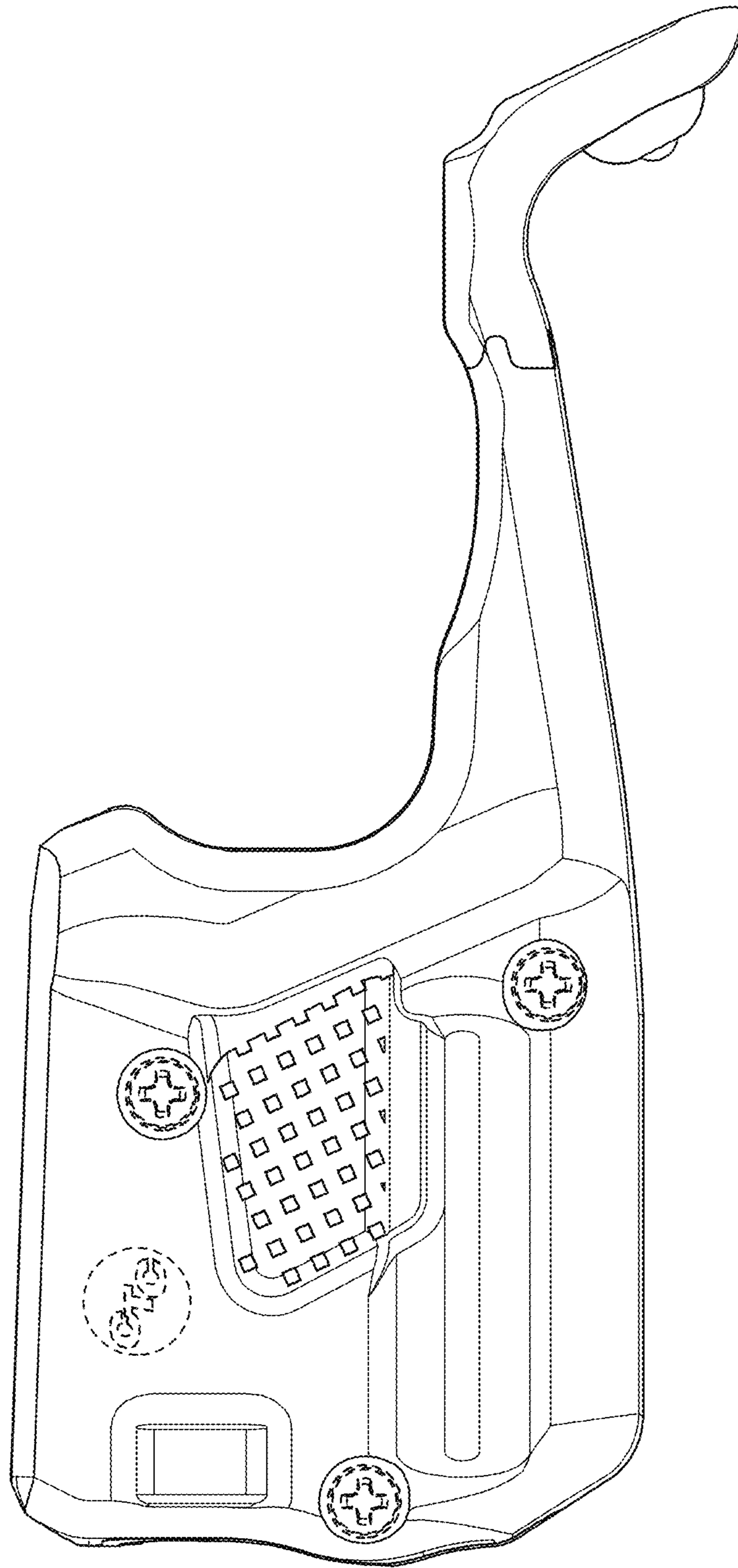


FIG. 5

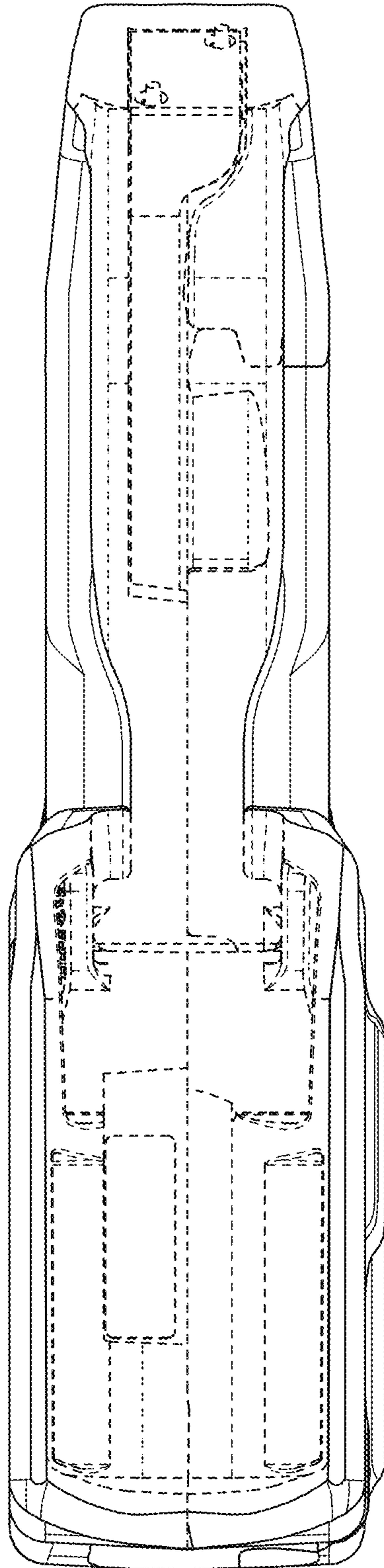


FIG. 6

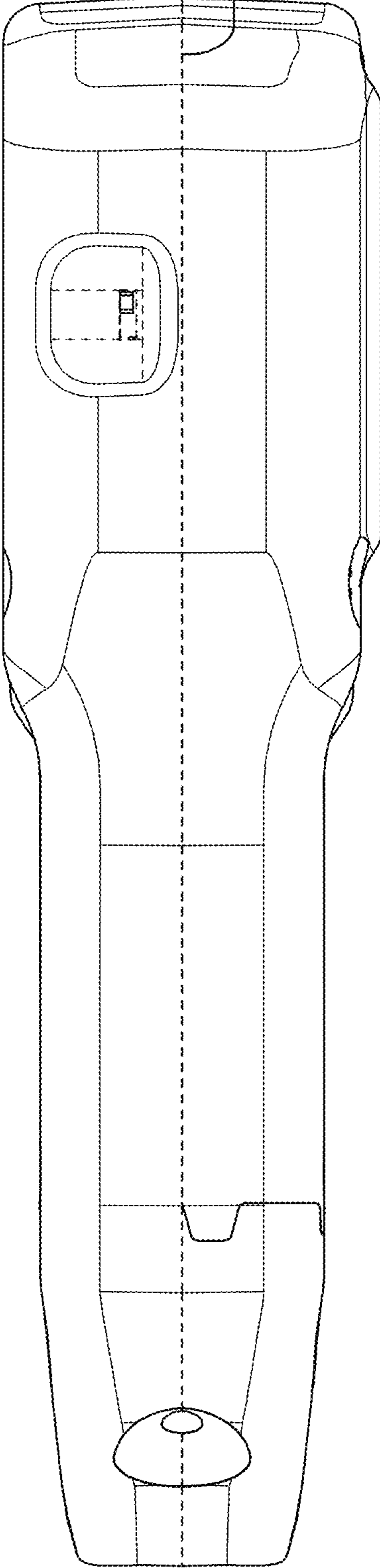


FIG. 7