



US00D812179S

(12) **United States Design Patent**
Anderson

(10) **Patent No.:** **US D812,179 S**
(45) **Date of Patent:** **** Mar. 6, 2018**

- (54) **LASER DEVICE**
- (71) Applicant: **Crimson Trace Corporation,**
Wilsonville, OR (US)
- (72) Inventor: **Danny Homem de Mello Anderson,**
Wilsonville, OR (US)
- (73) Assignee: **Crimson Trace Corporation,**
Wilsonville, OR (US)

D669,553 S *	10/2012	Hughes	D22/109
D669,958 S *	10/2012	Essig	D22/108
D669,959 S *	10/2012	Johnston	D22/108
D674,861 S *	1/2013	Johnston	D22/109
D674,862 S *	1/2013	Johnston	D22/109
D687,120 S *	7/2013	Hughes	D22/109
D692,518 S *	10/2013	Anderson	D22/108
D693,898 S *	11/2013	Essig	D22/108

(Continued)

- (**) Term: **15 Years**
- (21) Appl. No.: **29/572,580**

- (22) Filed: **Jul. 28, 2016**
- (51) **LOC (11) Cl.** **22-01**
- (52) **U.S. Cl.**
USPC **D22/109**
- (58) **Field of Classification Search**
USPC D22/108-109; 89/111-113; 359/399,
359/823, 744; 42/104, 105, 111-113,
42/116, 120, 124-126, 127-129,
42/141-148, 133-140; 33/227, 229
CPC . F41G 1/35; F41G 11/003; F41G 1/00; F41G
1/36; F41G 1/34; F41G 3/26
See application file for complete search history.

(56) **References Cited**

U.S. PATENT DOCUMENTS

4,856,218 A *	8/1989	Reynolds, Jr.	F41G 1/345 362/110
D603,478 S *	11/2009	Hughes	F41G 11/001 D22/110
D612,756 S *	3/2010	D'Amelio	D10/70
7,743,547 B2 *	6/2010	Houde-Walter	F41G 1/35 362/110
D636,049 S *	4/2011	Hughes	F41G 11/001 D22/109
D636,837 S *	4/2011	Hughes	F41G 11/001 D22/109
8,256,154 B2 *	9/2012	Danielson	F41A 19/11 42/117

OTHER PUBLICATIONS

LG-360G Green Laserguard for Smith & Wesson M&P Full-Size & Compact, CrimsonTrace.com, [online], [site visited Jun. 14, 2017].
URL: <https://www.crimsontrace.com/products/type/laserguard/01-4580>.*

(Continued)

Primary Examiner — T. Chase Nelson
Assistant Examiner — Jonathan J. Han
(74) *Attorney, Agent, or Firm* — Schwabe, Williamson & Wyatt, P.C.

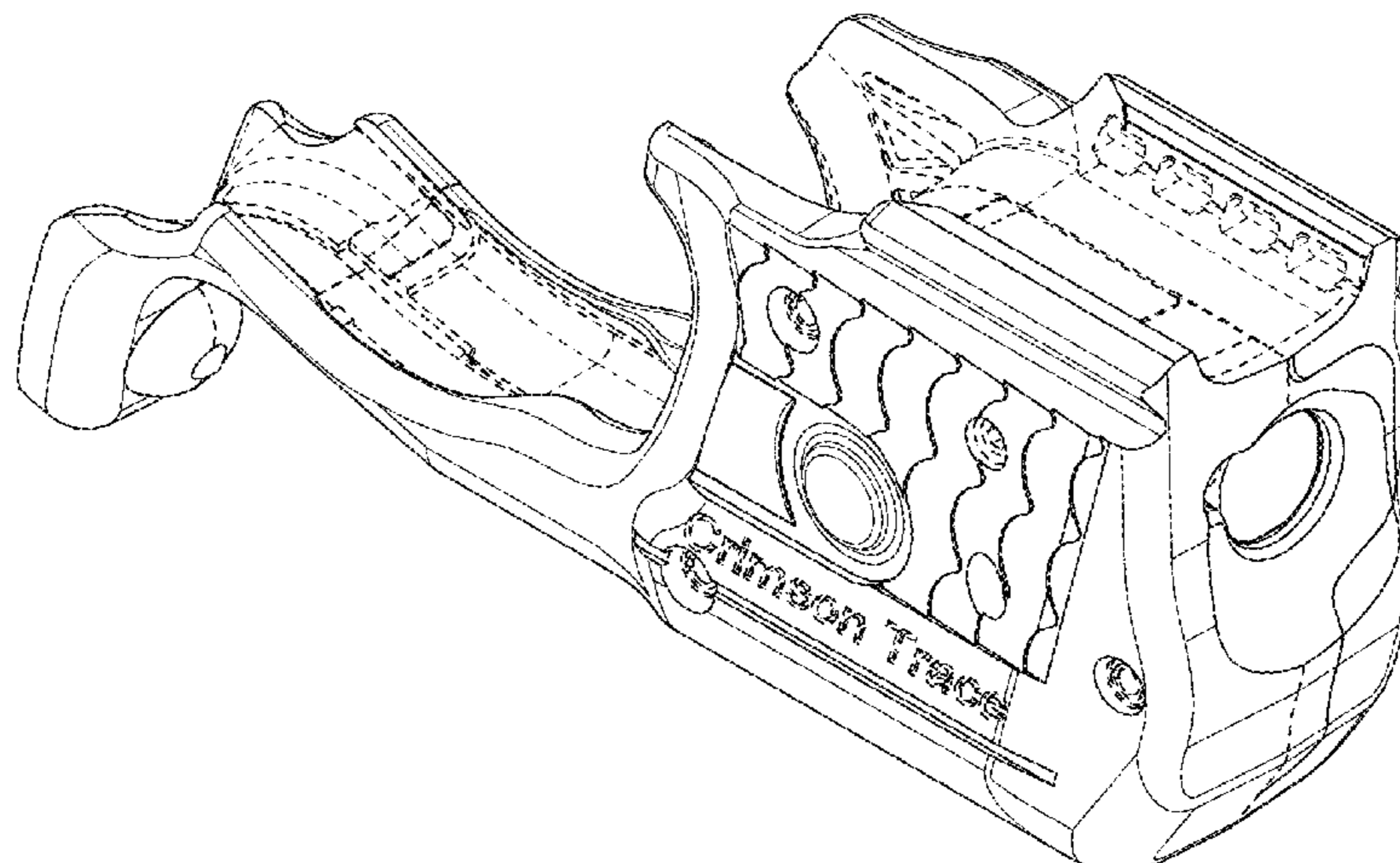
(57) **CLAIM**

I claim the ornamental design for a laser device, as shown and described.

DESCRIPTION

FIG. 1 is a perspective view of a laser device, showing my new design;
FIG. 2 is a front view thereof;
FIG. 3 is a rear view thereof;
FIG. 4 is a right side view thereof;
FIG. 5 is a left side view thereof;
FIG. 6 is a top view thereof; and,
FIG. 7 is a bottom view thereof.
The dashed lines are included for illustrating interior and/or environmental structures and form no part of the claimed design.

1 Claim, 6 Drawing Sheets



(56)

References Cited

U.S. PATENT DOCUMENTS

D694,847 S * 12/2013 Anderson D22/108
 D694,848 S * 12/2013 Anderson D22/109
 D696,376 S * 12/2013 Anderson D22/109
 D709,981 S * 7/2014 Johnston D22/108
 8,915,009 B2 * 12/2014 Caulk F41G 1/35
 42/114
 D738,456 S * 9/2015 Hughes D22/109
 D738,457 S * 9/2015 Johnston D22/109
 D742,991 S * 11/2015 Klecker D22/109
 D755,340 S * 5/2016 Essig D22/109
 D763,400 S * 8/2016 Johnston D22/109
 9,488,445 B2 * 11/2016 Houde-Walter F41G 1/35
 9,658,031 B1 * 5/2017 Hedeem F41G 1/35
 2012/0124885 A1 * 5/2012 Caulk F41G 1/35
 42/146
 2012/0144718 A1 * 6/2012 Danielson F41A 19/11
 42/117
 2013/0074351 A1 * 3/2013 Kowalczyk G01B 11/27
 33/286
 2013/0145672 A1 * 6/2013 Tuller, Jr. F41G 1/00
 42/114
 2016/0209168 A1 * 7/2016 Sharrah F41G 11/004

OTHER PUBLICATIONS

LG-489G Green Laserguard for Smith & Wesson M&P Shield 9mm & .40 S&W, CrimsonTrace.com, [online], [site visited Jun. 14, 2017]. URL: <https://www.crimsontrace.com/products/type/laserguard/01-8279>.*

LG-485G Green Laserguard for Smith & Wesson M&P Shield .45 ACP, CrimsonTrace.com, [online], [site visited Jun. 14, 2017]. URL: <https://www.crimsontrace.com/products/type/laserguard/01-5580>.*

Streamlight 69275 TLT-6 Tactical Pistol Mount Flashlight 100 Lumen with Integrated Red Aiming Laser for Sign Sauer P238/P938, Black, Amazon.com, Date First Available: Nov. 20, 2015, [online], [site visited Jun. 14, 2017]. URL: https://www.amazon.com/Streamlight-69275-Tactical-Flashlight-Integrated/dp/B0188YF8PQ/ref=sr_1_60?s=sporting-goods&ie=UTF8&qid=1497472191&sr=1-60&keywords=trigger+guard+laser.*

New Products from Crimson Trace, YouTube.com, GunGuyTV, Published on Feb 1, 2017, [online], [site visited Jun. 14, 2017]. URL: https://www.youtube.com/watch?v=UkjDrC_AHNM.*

* cited by examiner

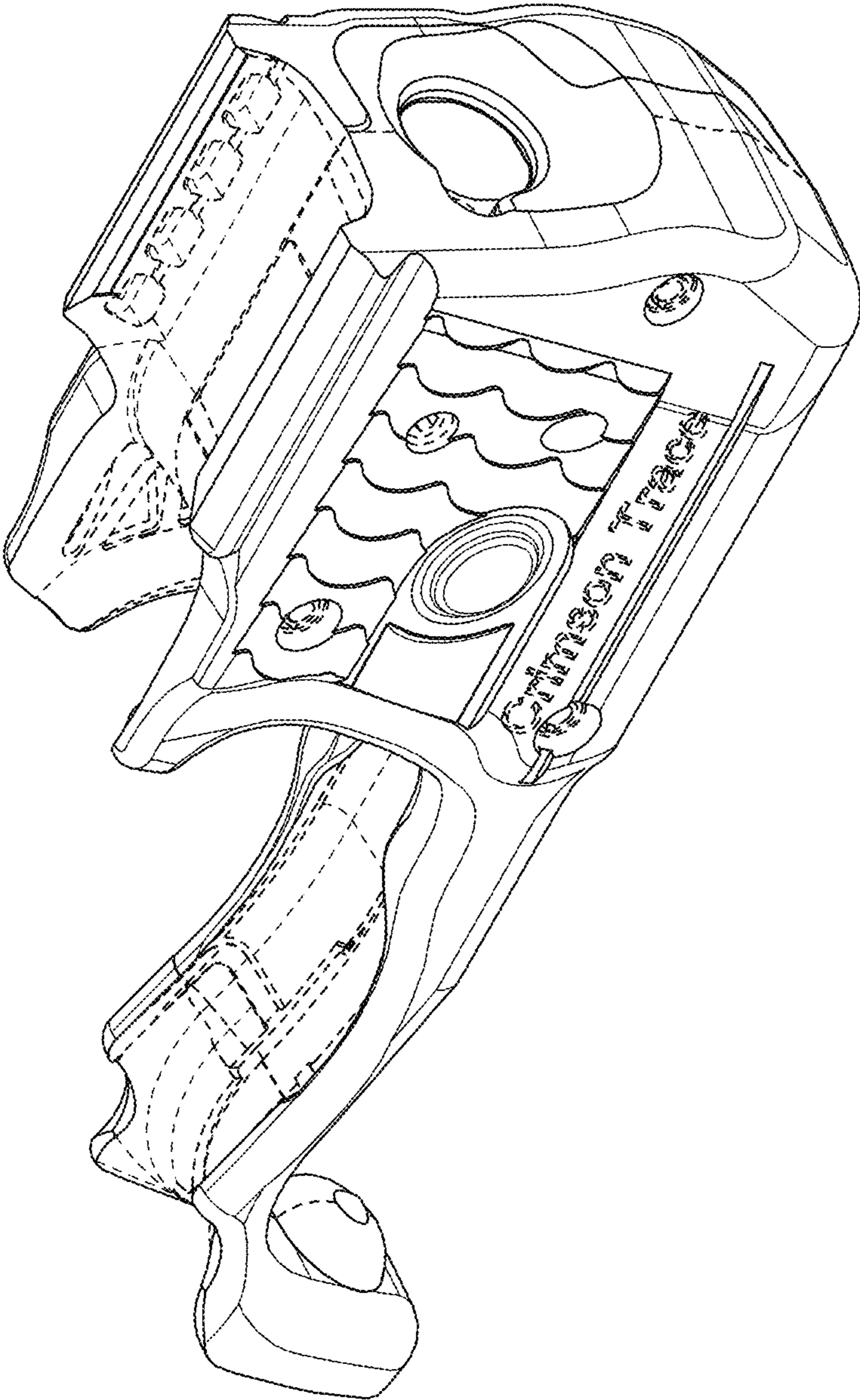


FIG. 1

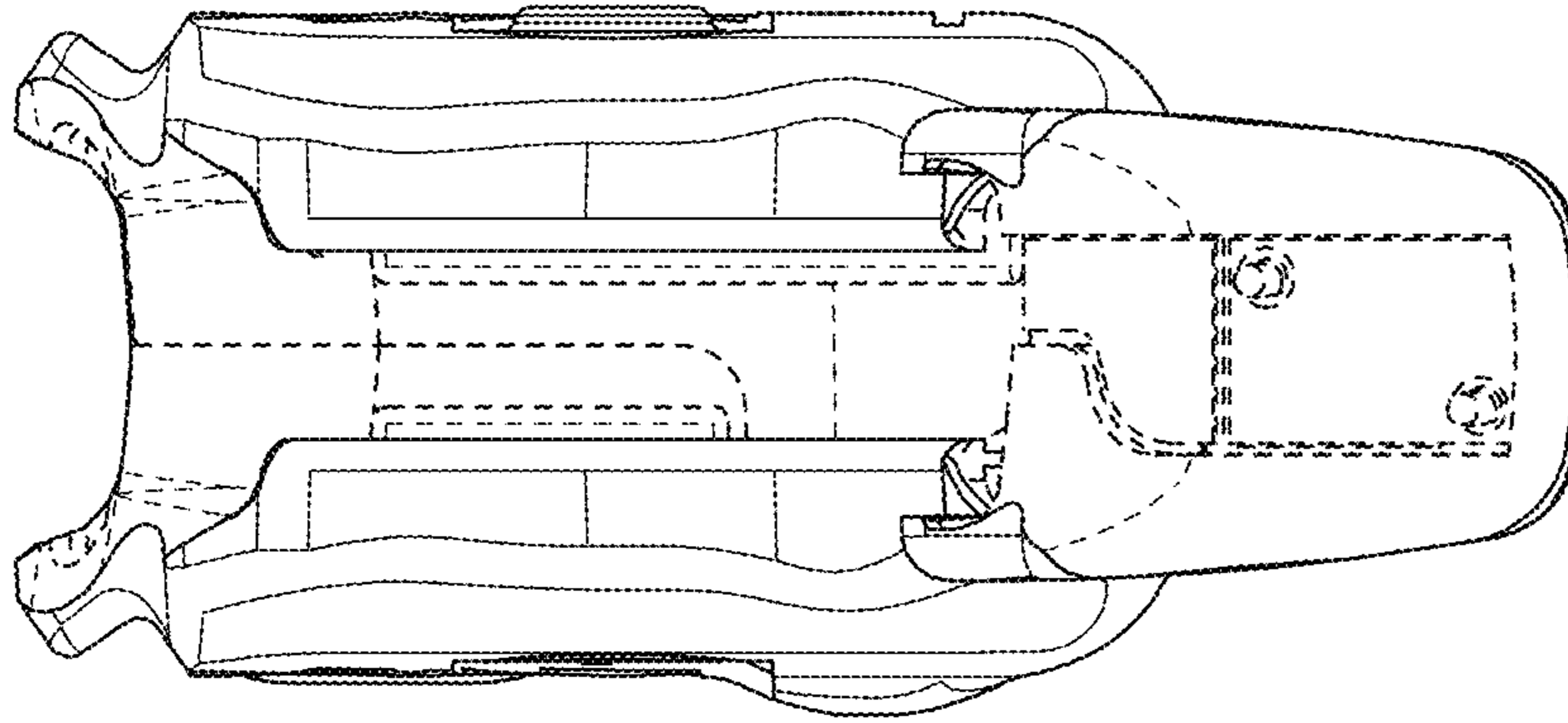


FIG. 2

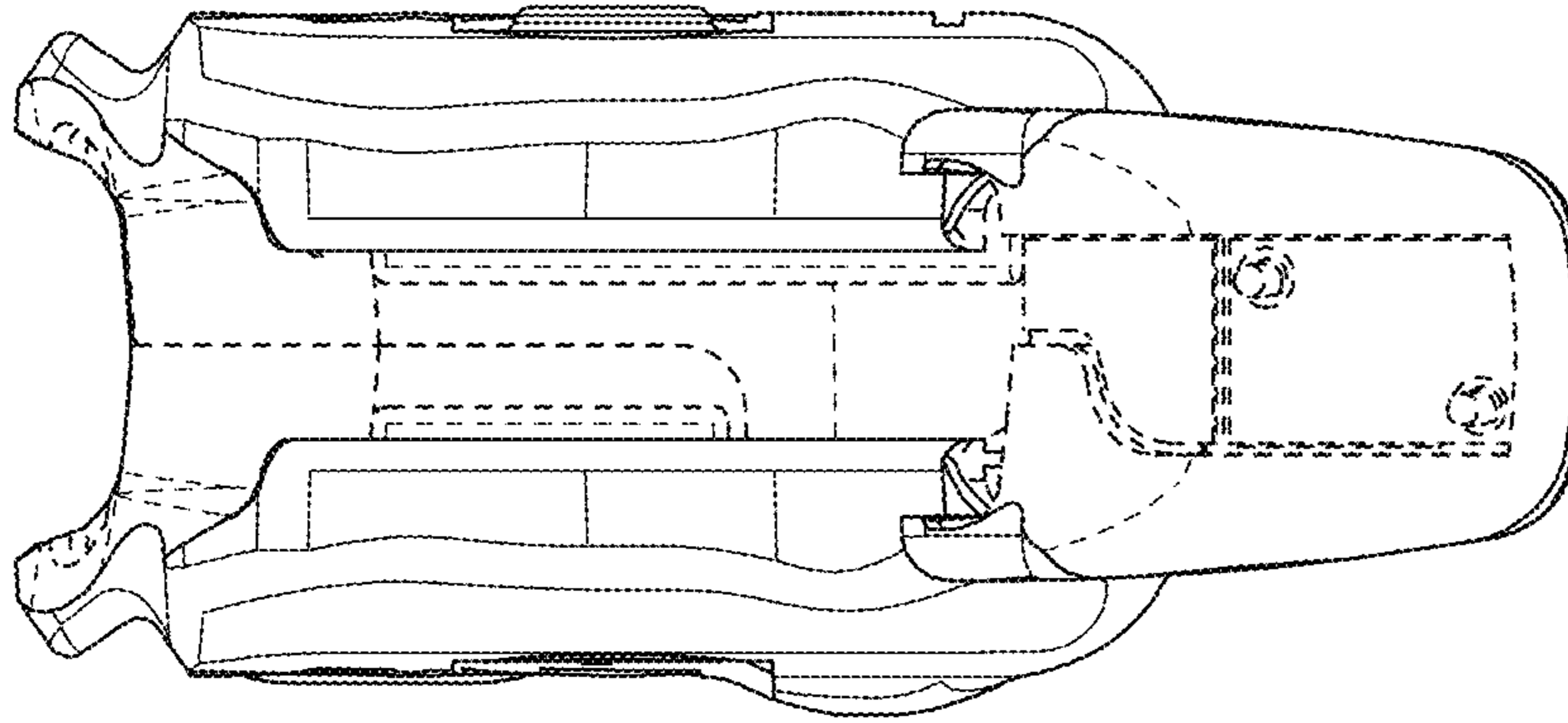


FIG. 3

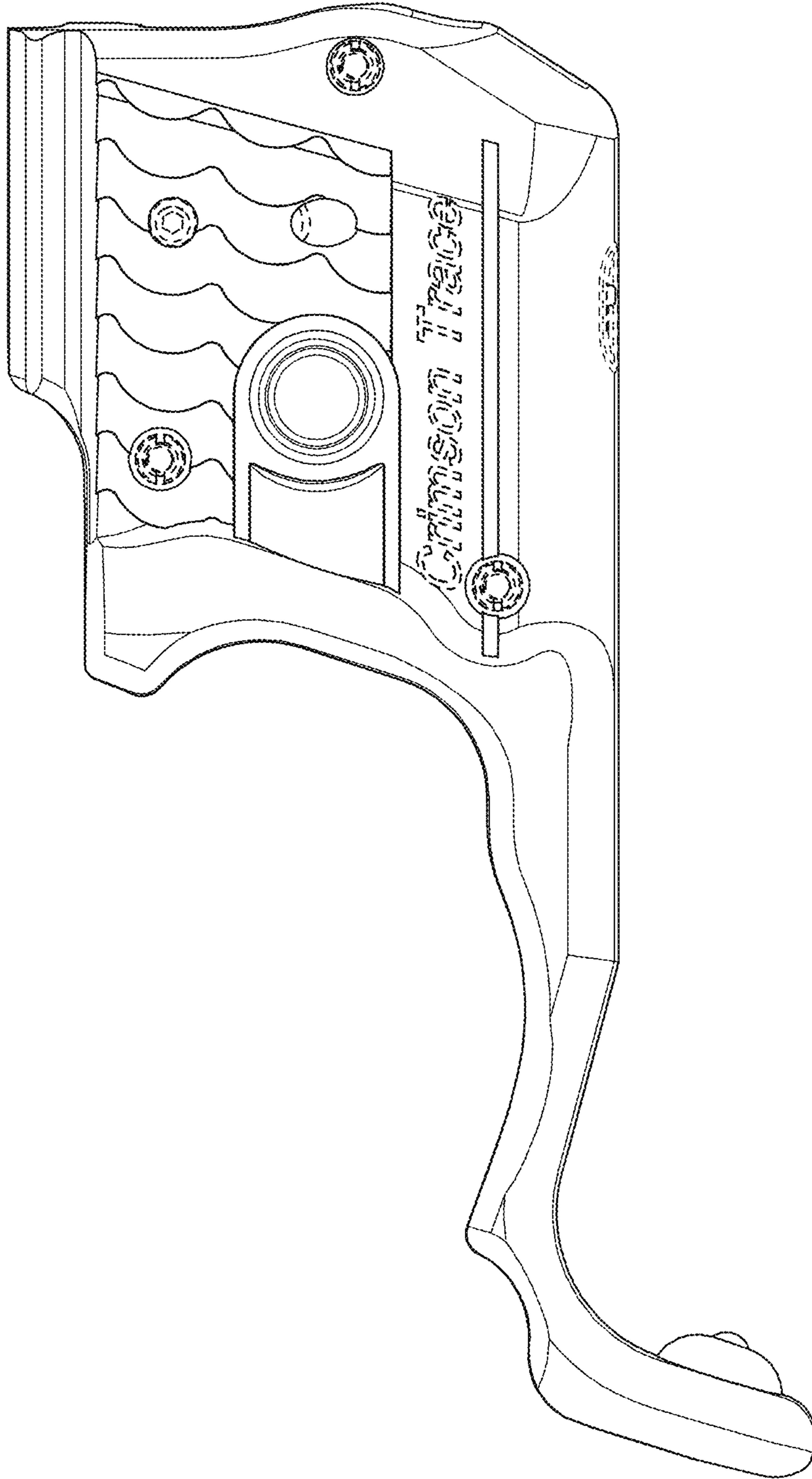


FIG. 4

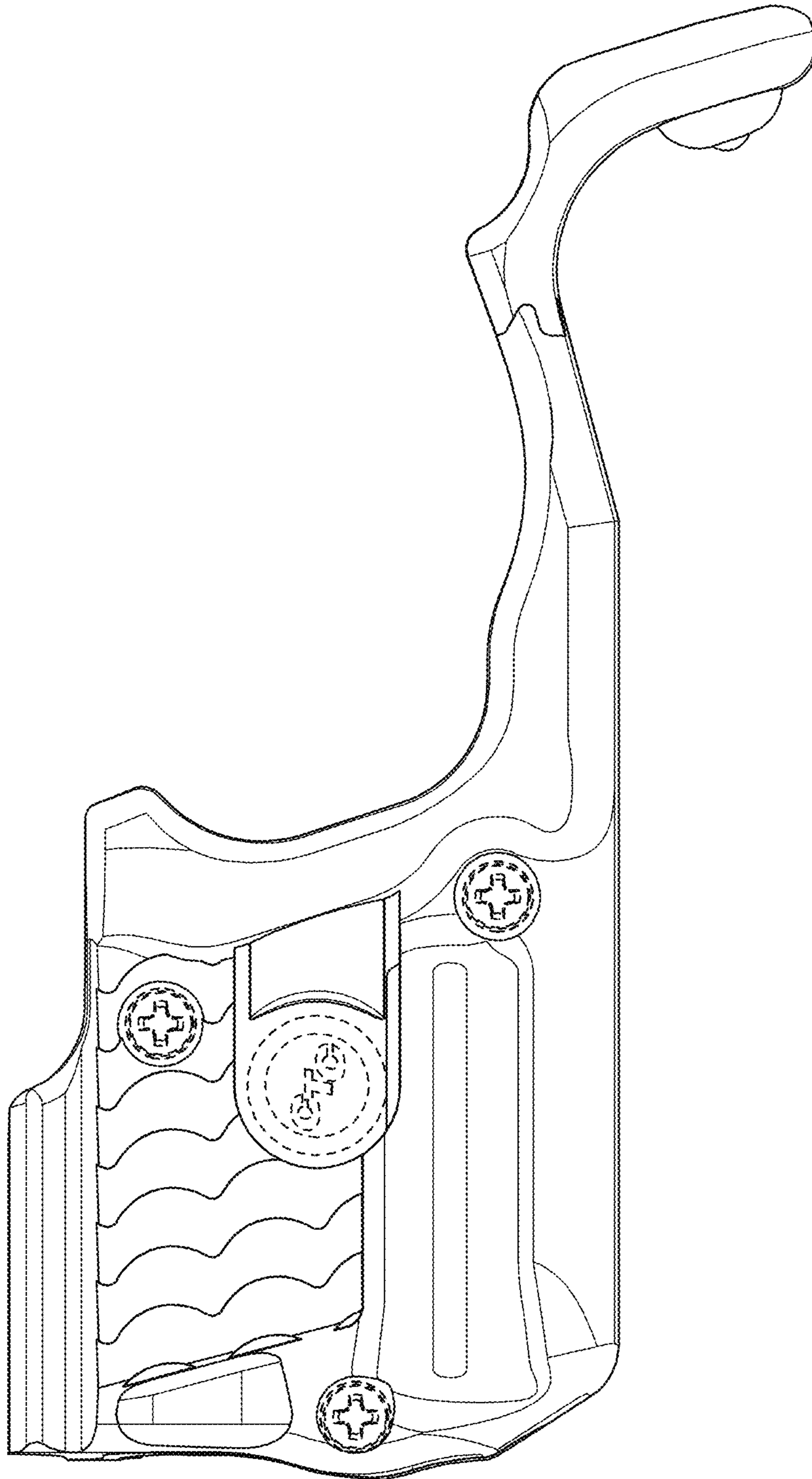


FIG. 5

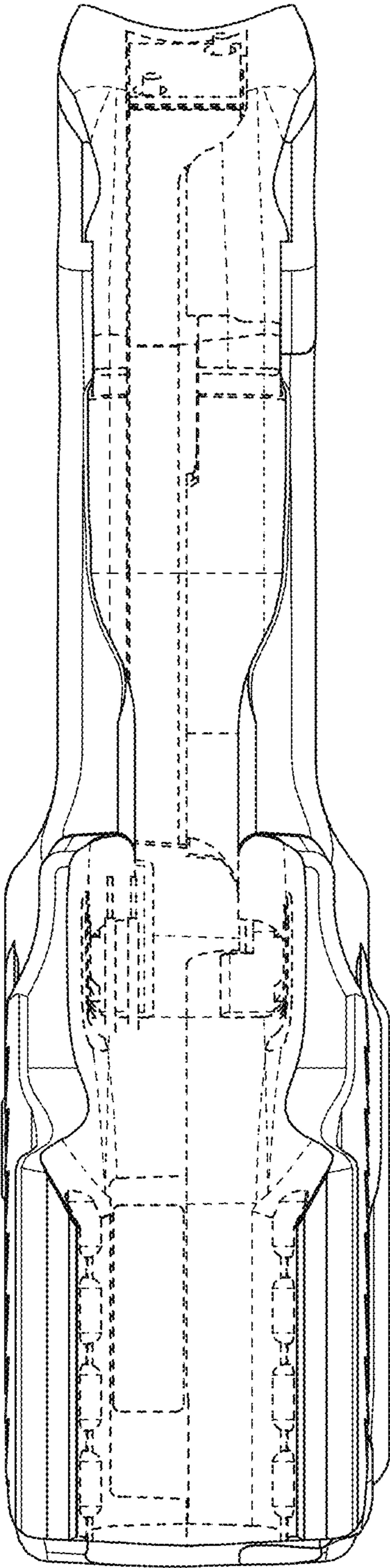


FIG. 6

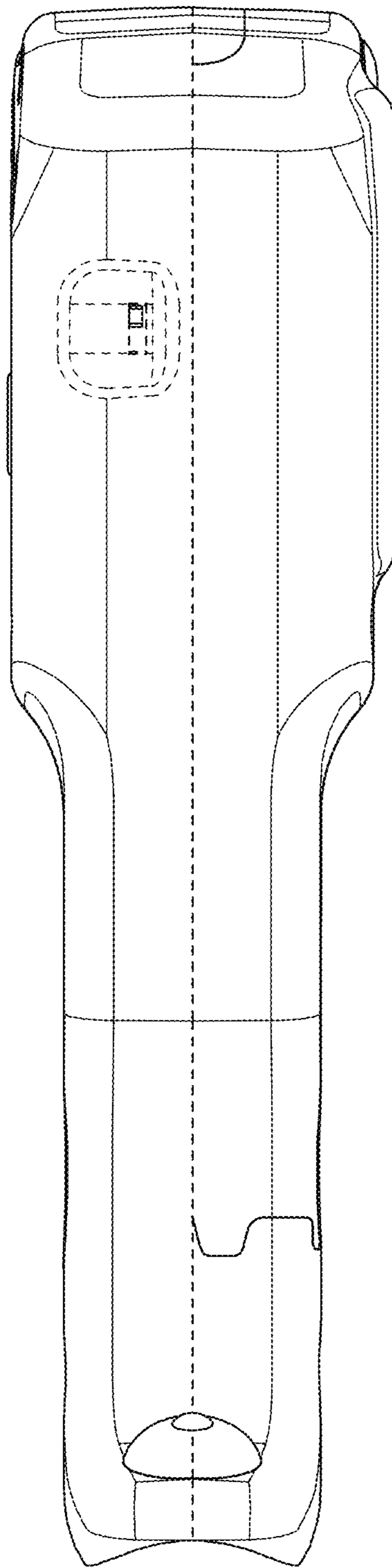


FIG. 7