



US00D812178S

(12) **United States Design Patent** (10) **Patent No.:** **US D812,178 S**
Galli (45) **Date of Patent:** **** Mar. 6, 2018**

(54) **PISTOL MOUNTED LIGHT**
(71) Applicant: **Emissive Energy Corp.**, North Kingstown, RI (US)
(72) Inventor: **Robert D. Galli**, North Kingstown, RI (US)
(73) Assignee: **EMISSIVE ENERGY CORP.**, North Kingstown, RI (US)
(**) Term: **15 Years**
(21) Appl. No.: **29/578,651**

7,614,760 B2 * 11/2009 Sharrah F21S 9/02
362/111
D612,970 S * 3/2010 Sharrah D26/60
D674,525 S * 1/2013 Sharrah D26/60
D674,858 S * 1/2013 Galli D22/108
D709,158 S * 7/2014 Wells D22/108
D712,001 S * 8/2014 Wells D22/108
D732,134 S * 6/2015 Wells D22/108
D781,983 S * 3/2017 Wells D22/108
D790,097 S * 6/2017 Port D26/39
2003/0133286 A1 * 7/2003 Kim F41G 1/35
362/110
2007/0227056 A1 * 10/2007 Howe F41G 1/35
42/146
2016/0348880 A1 * 12/2016 Galli F21V 21/0885

(22) Filed: **Sep. 23, 2016**
(51) **LOC (11) Cl.** **22-01**
(52) **U.S. Cl.**
USPC **D22/108**; D26/51; D26/46
(58) **Field of Classification Search**
USPC D26/37, 46, 38, 49, 51; D22/108, 117;
D16/132
CPC F21L 2003/00; F21L 4/00; F21L 4/005;
F21L 4/02; F21L 4/025; F21L 4/027;
F21L 4/04; F21L 4/08; F21L 2005/00;
F21L 7/00; F21L 11/00; F21L 13/00;
F21L 13/04; F21L 13/08; F21L 14/02;
F21L 17/00; F21L 19/00; F21L 25/00
See application file for complete search history.

FOREIGN PATENT DOCUMENTS

WO 2013173750 A1 11/2013
* cited by examiner

Primary Examiner — Lakiya Rogers
Assistant Examiner — Carissa C Fitts
(74) *Attorney, Agent, or Firm* — Barlow, Josephs & Holmes, Ltd.

(57) **CLAIM**

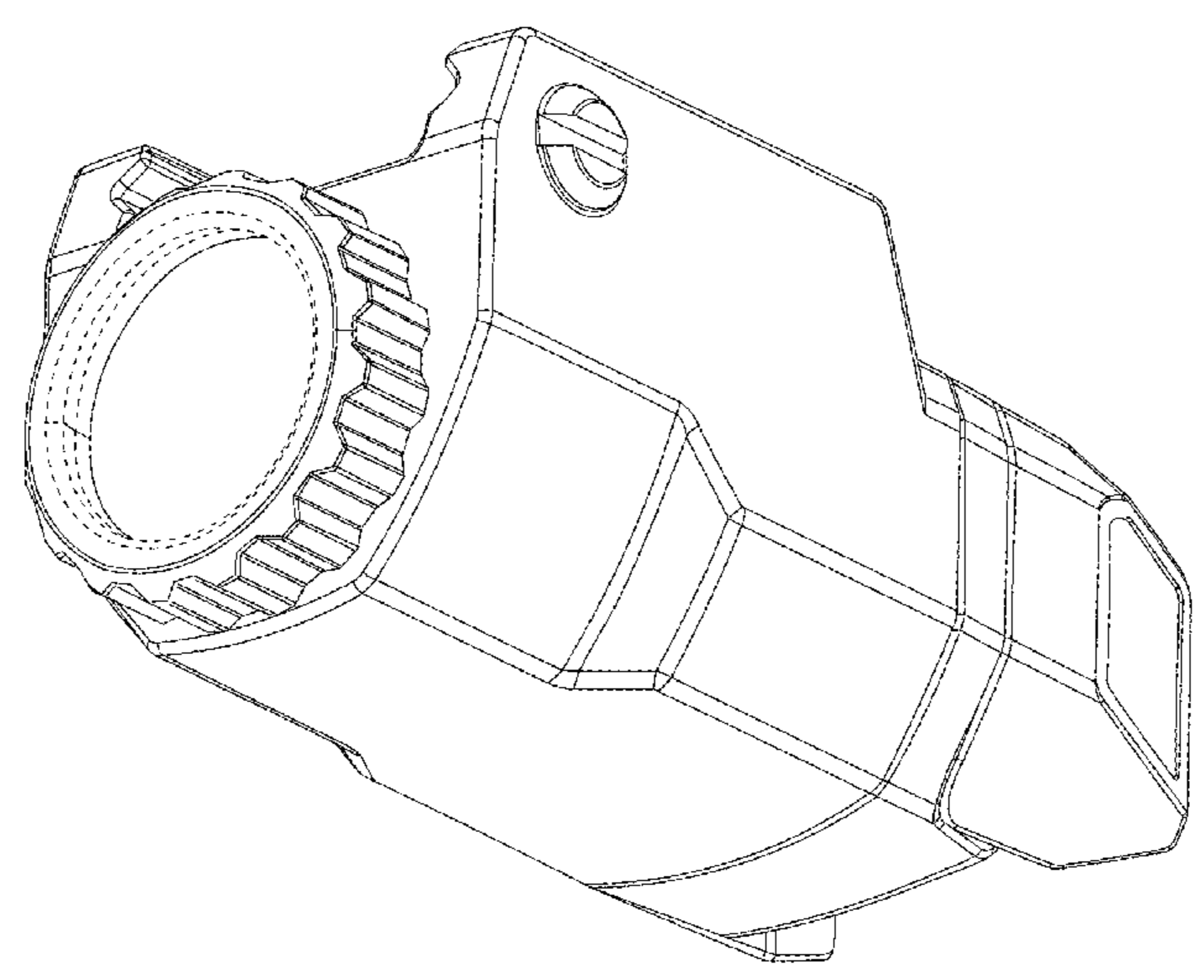
The ornamental design for a pistol mounted light, as shown and described.

DESCRIPTION

FIG. 1 is a first perspective view of the pistol mounted light in accordance with the present design;
FIG. 2 is right side view thereof;
FIG. 3 is a left side view thereof;
FIG. 4 is a front view thereof;
FIG. 5 is a rear view thereof;
FIG. 6 is a bottom view thereof; and,
FIG. 7 is a top view thereof.
The broken lines show portions of the article not claimed and form no part of the claimed design.

(56) **References Cited**
U.S. PATENT DOCUMENTS
6,185,854 B1 * 2/2001 Solinsky F41G 1/35
362/110
D522,031 S * 5/2006 Siu D16/132
D542,446 S * 5/2007 DiCarlo D26/38
D548,385 S * 8/2007 Sharrah D26/51
7,260,912 B2 * 8/2007 Liu F41G 11/003
42/124
D567,894 S * 4/2008 Sterling D22/108
D568,508 S * 5/2008 Howe D26/38
D578,599 S * 10/2008 Cheng D16/130

1 Claim, 4 Drawing Sheets



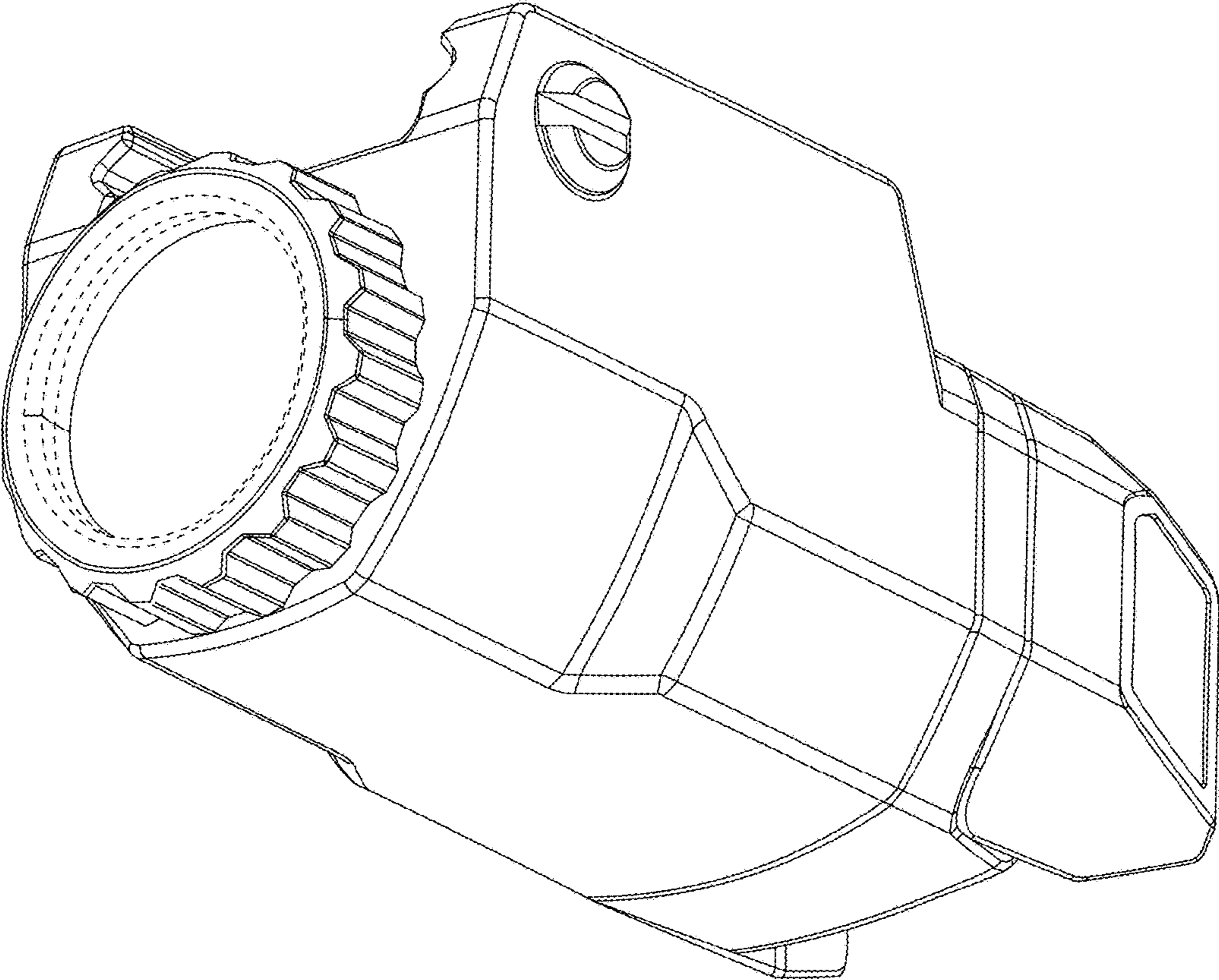


Fig. 1

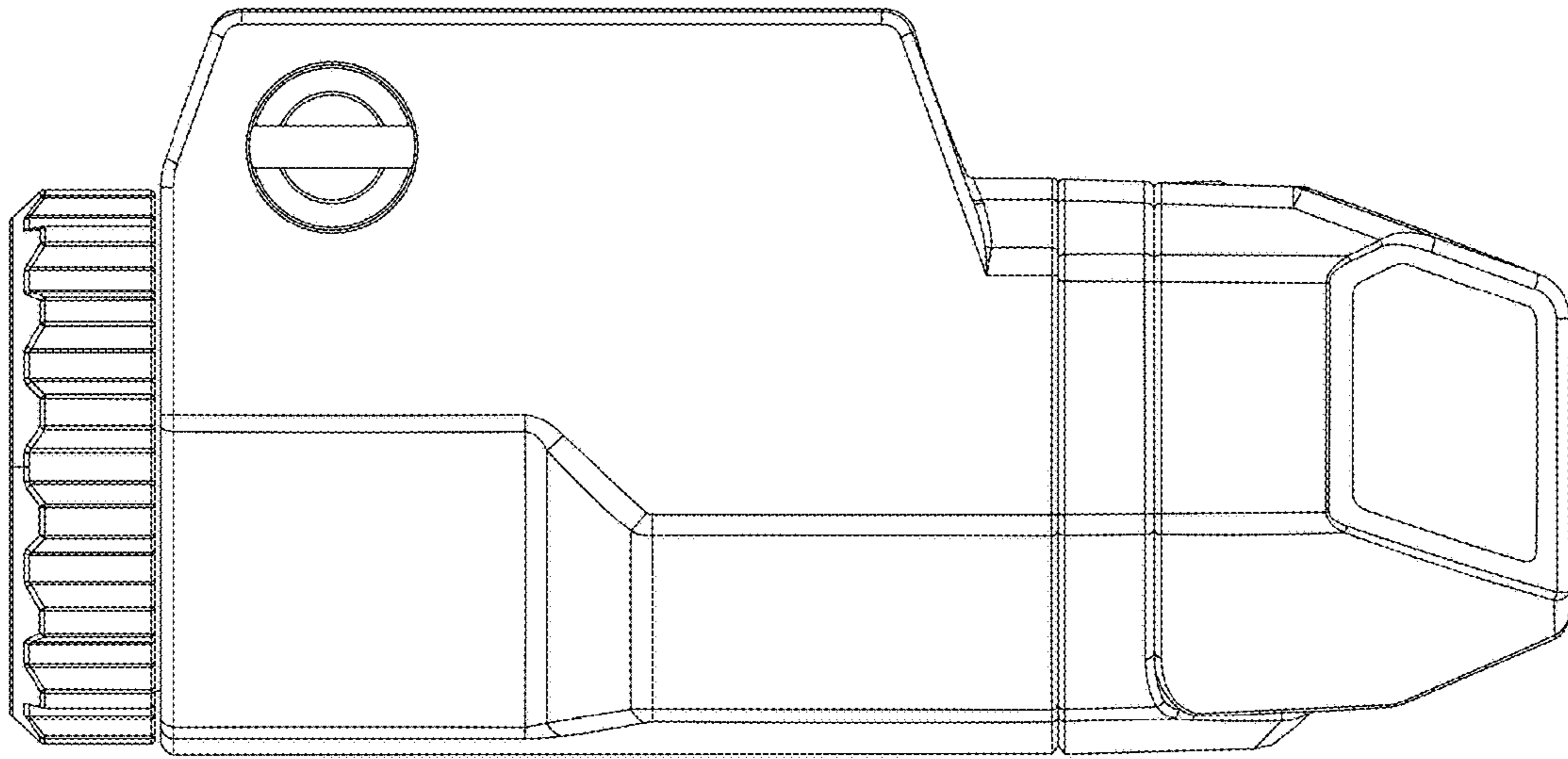


Fig. 2

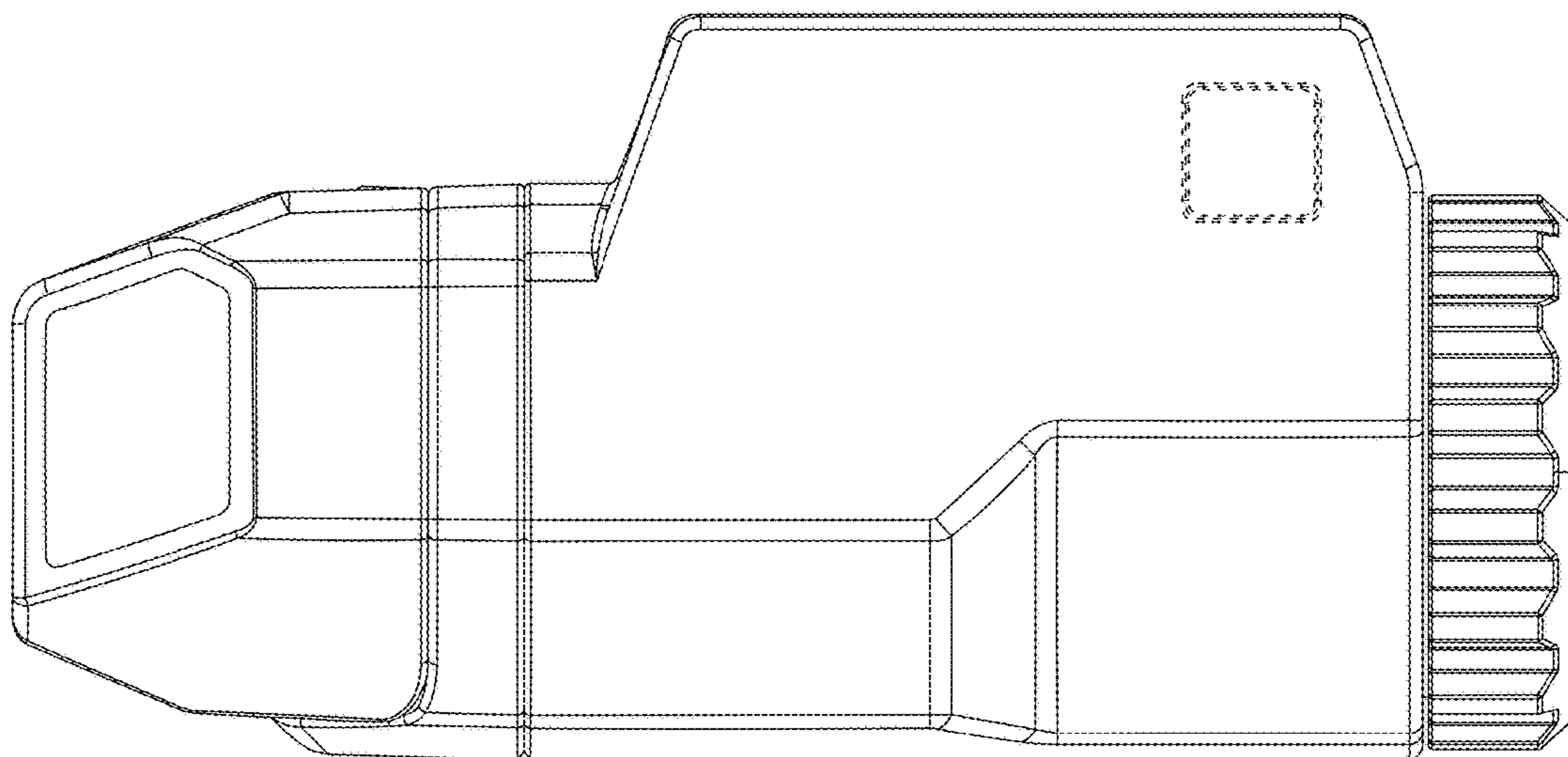


Fig. 3

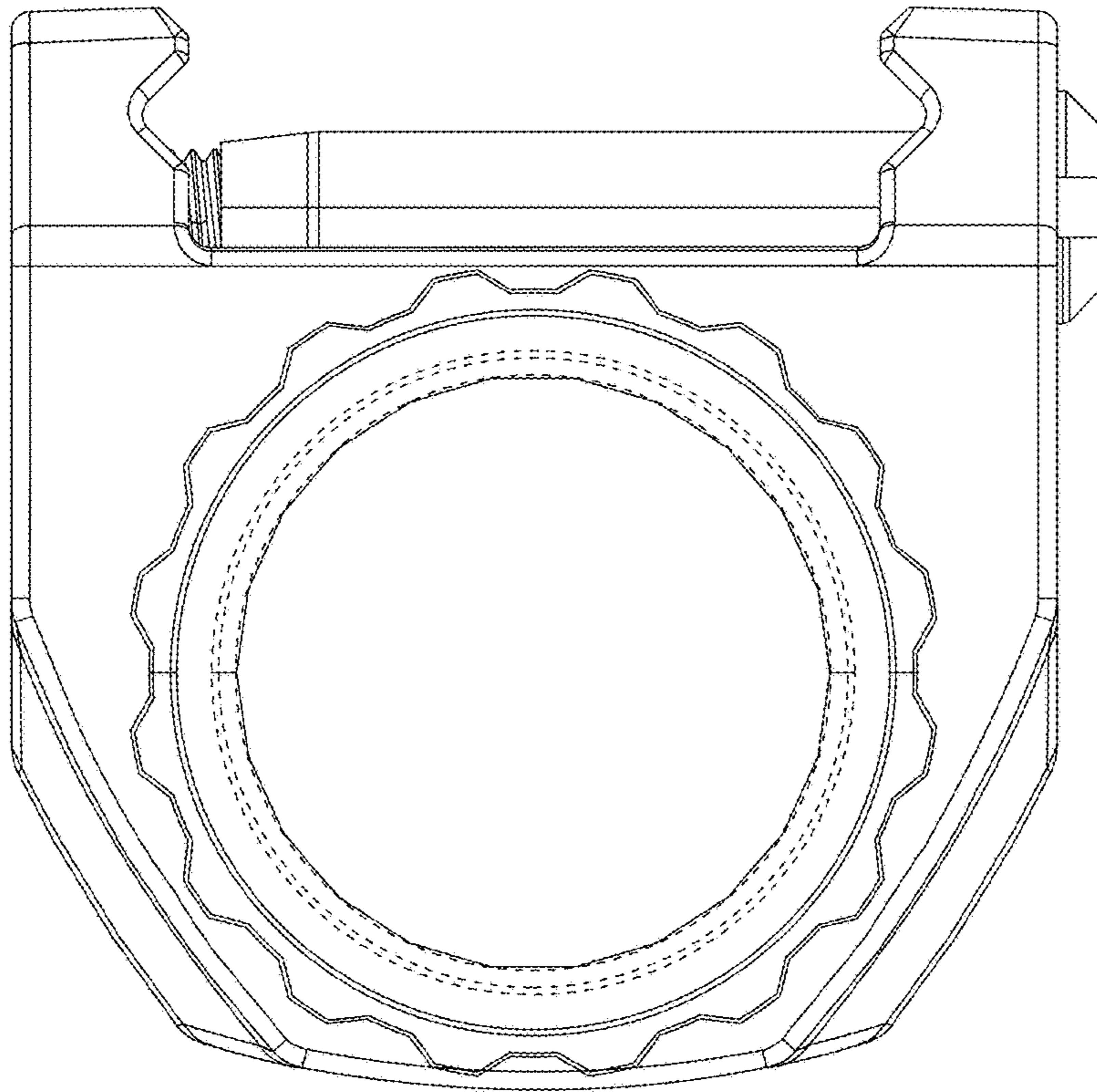


Fig. 4

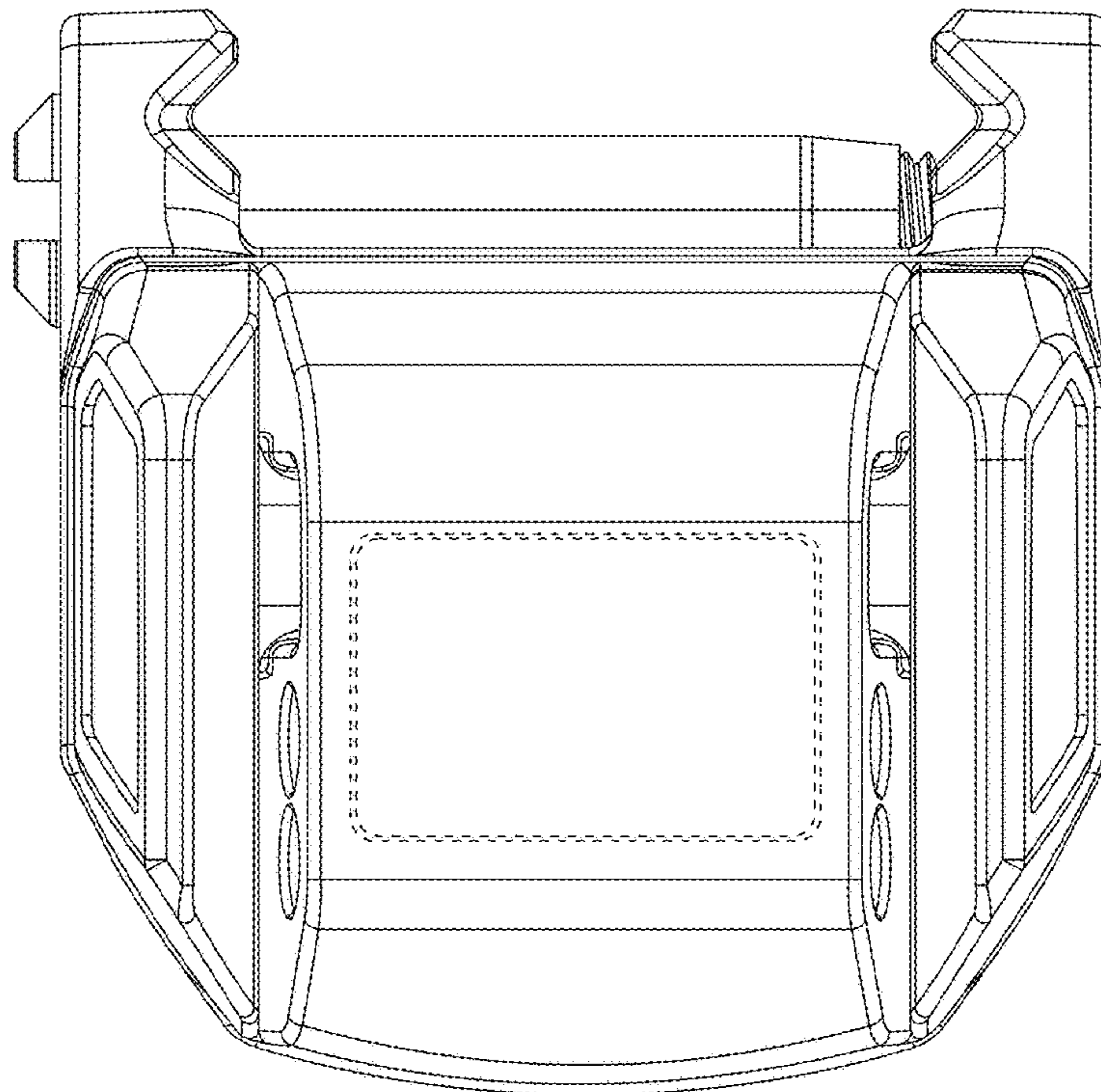


Fig. 5

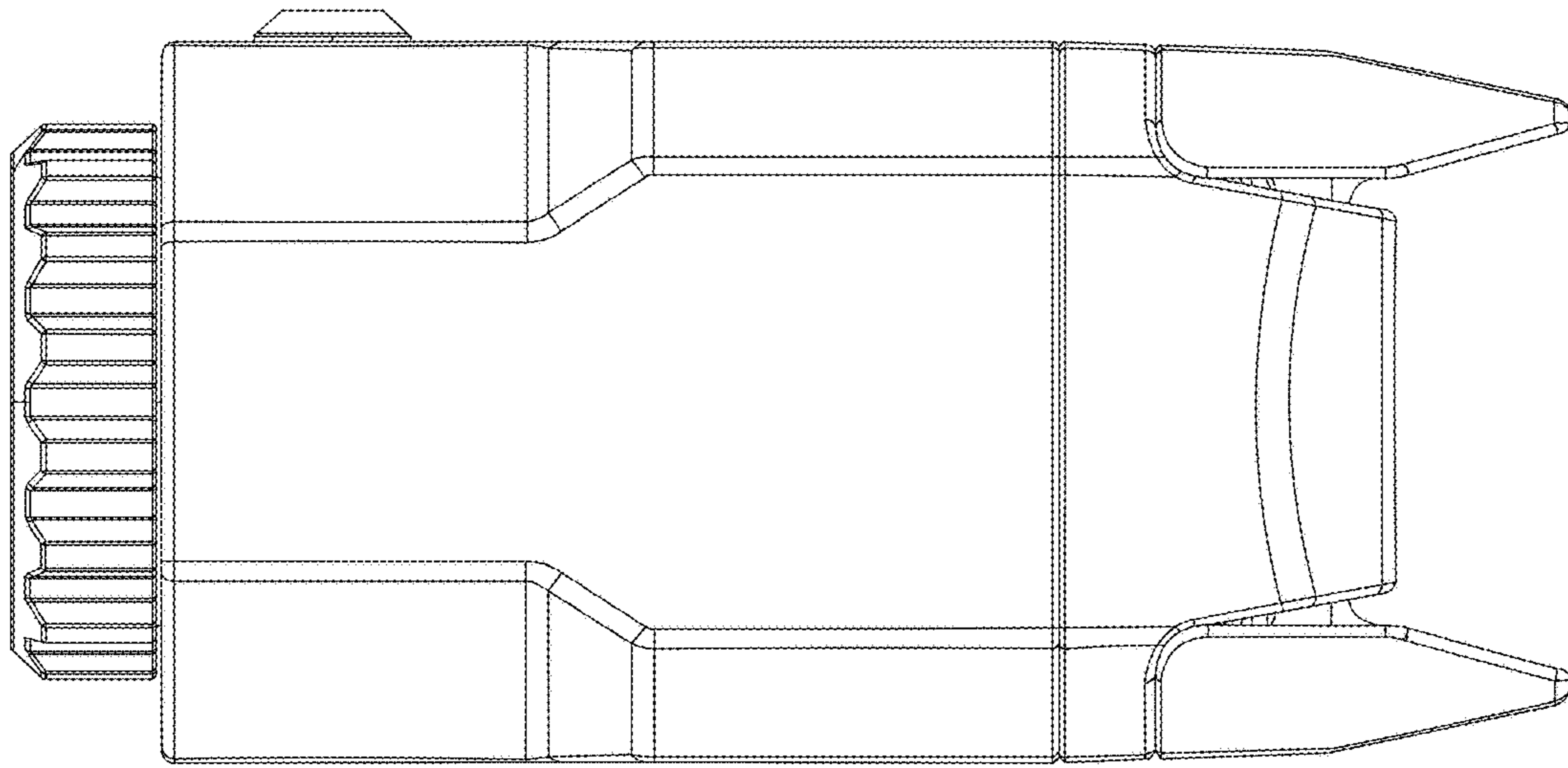


Fig. 6

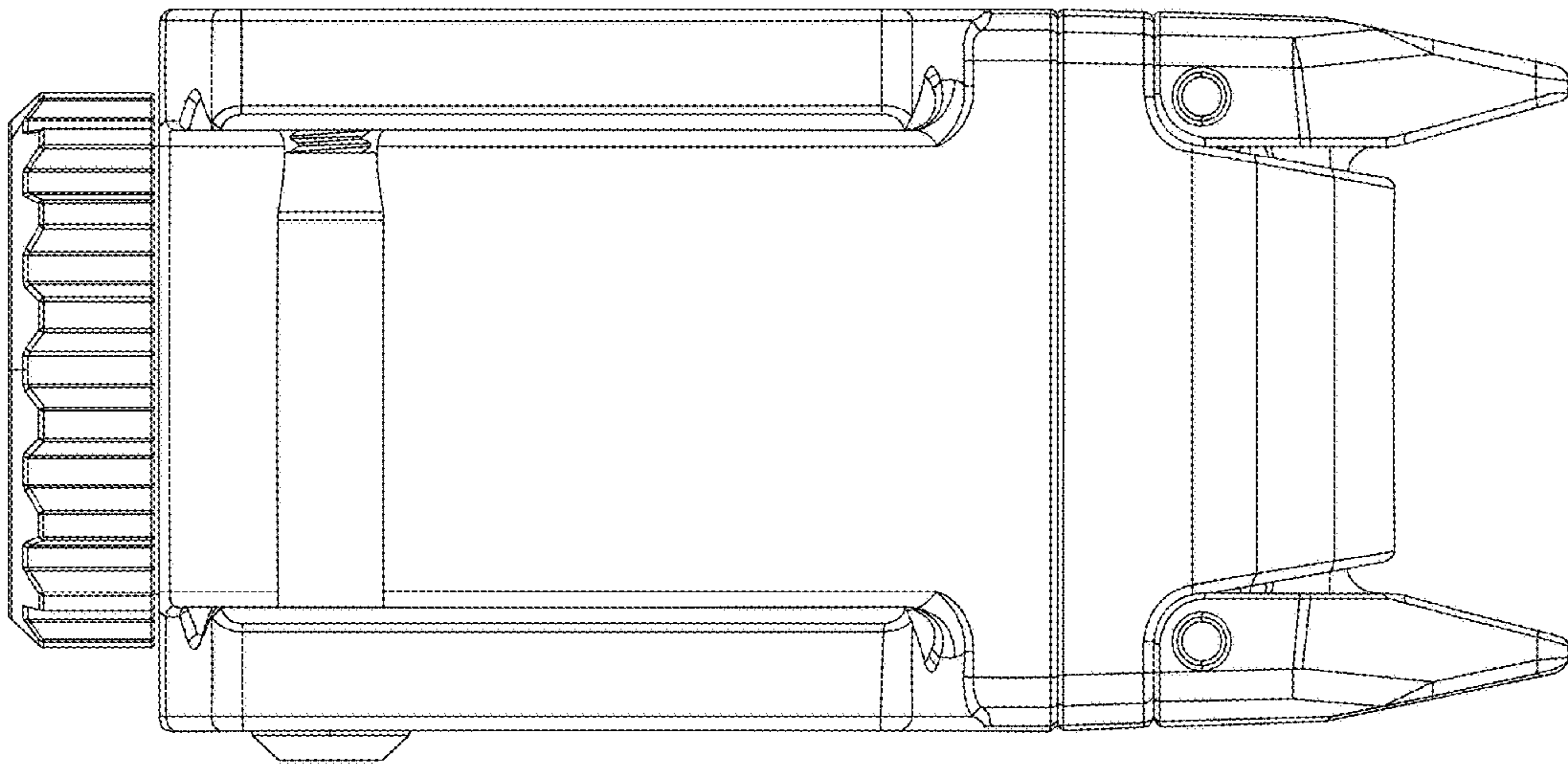


Fig. 7