



US00D812176S

(12) **United States Design Patent**
Kielsmeier

(10) **Patent No.:** **US D812,176 S**
(45) **Date of Patent:** **** Mar. 6, 2018**

(54) **MAGAZINE**

- (71) Applicant: **Magpul Industries Corp**, Louisville, CO (US)
- (72) Inventor: **Nicholas Kielsmeier**, Denver, CO (US)
- (73) Assignee: **Magpul Industries Corp.**, Austin, TX (US)
- (**) Term: **15 Years**

(21) Appl. No.: **29/563,572**

(22) Filed: **May 5, 2016**

(51) **LOC (11) Cl.** **22-01**

(52) **U.S. Cl.**
USPC **D22/108**

(58) **Field of Classification Search**
CPC F41A 9/70; F41A 9/65; F41A 9/71; F41A 9/68; F41A 9/69; F41A 11/02; F41A 9/61; F41A 9/00; F41A 9/17; F41A 9/23; F41A 9/34; F41A 9/84
See application file for complete search history.

(56) **References Cited**

U.S. PATENT DOCUMENTS

D344,780 S *	3/1994	Jenkins	D22/108
D362,044 S *	9/1995	Snieszak	D22/100
D401,992 S *	12/1998	Pearce	D22/100
6,736,125 B2 *	5/2004	Petrosyan	F41B 11/55 124/51.1
D493,861 S *	8/2004	Rauch	D22/108
7,373,751 B1 *	5/2008	Schaffer	F41A 9/59 42/50
D680,613 S *	4/2013	Fitzpatrick	D22/108
D745,944 S *	12/2015	Kielsmeier	D22/108
D757,884 S *	5/2016	Kielsmeier	D22/108
D769,397 S *	10/2016	Lam	D22/108
D783,111 S *	4/2017	Hillis	D22/108
2017/0191771 A1 *	7/2017	Zimmer	F41A 9/62

OTHER PUBLICATIONS

Midway USA, "Glock Magazine Gen 4 Glock 26 9mm Luger Polymer Black", Retrieved from <http://www.midwayusa.com/product/930397818/glock-magazine-gen-4-glock-26-9mm-luger-polymer-black#pr-header-back-to-top-link>, Feb. 25, 2010, p. 1.
Magpul Industries, Corp., "PMAG 15 GL9—Glock G19", Retrieved from <https://www.magpul.com/products/pmag-15-gl9>, Apr. 9, 2015, p. 6.
Magpul Industries, Corp., "PMAG 17 GK9—Glock G17", Retrieved from <https://www.magpul.com/products/pmag-17-gl9>, Jan. 15, 2015, p. 6.

* cited by examiner

Primary Examiner — Michael A Pratt

(74) *Attorney, Agent, or Firm* — Neugeboren O'Dowd PC

(57) **CLAIM**

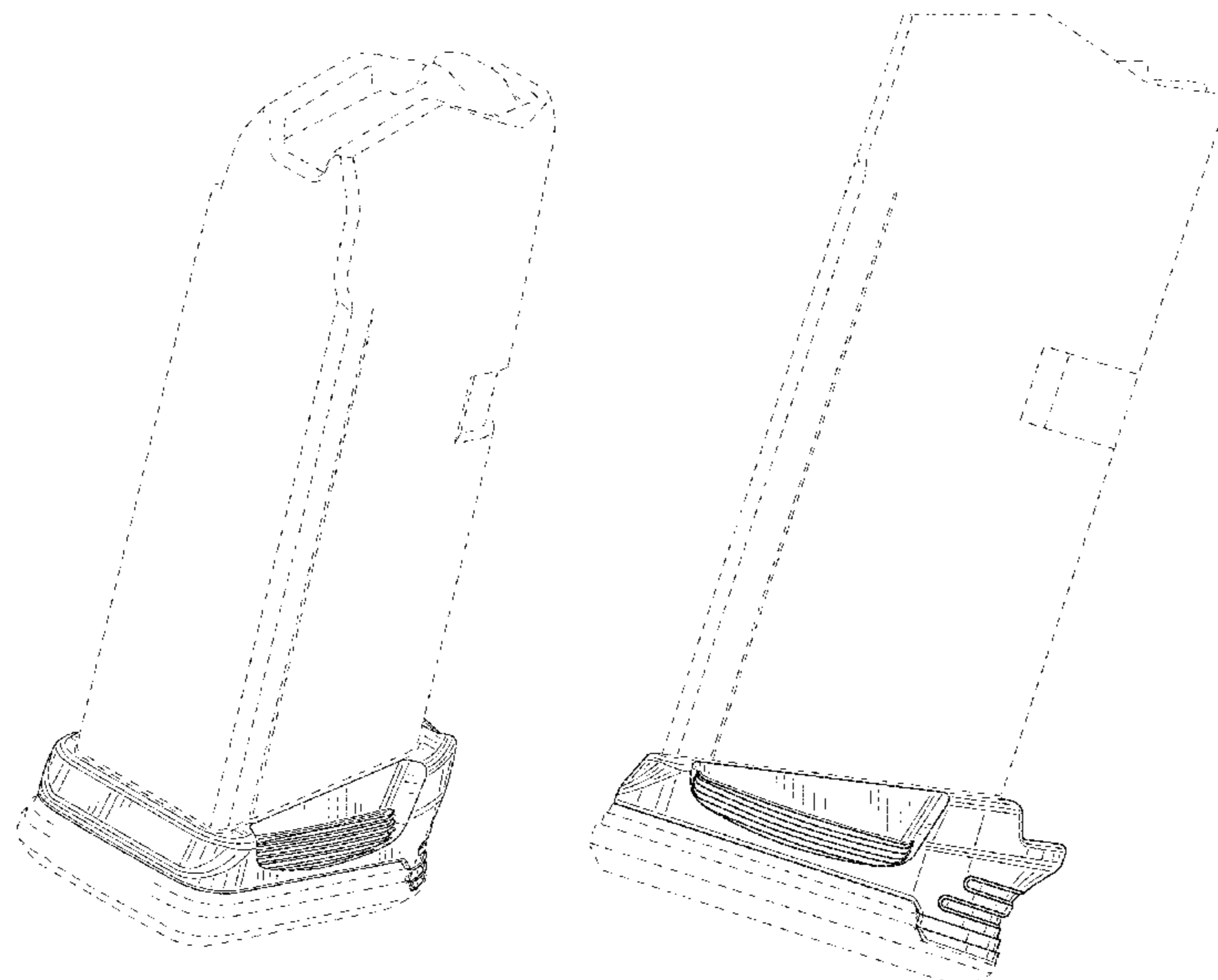
The ornamental design for a magazine, as shown and described.

DESCRIPTION

FIG. 1 is a left, top, rear perspective view of a first embodiment of a magazine showing our new design; FIG. 2 is a rear elevation view of the magazine of FIG. 1; FIG. 3 is a front elevation view of the magazine of FIG. 1; FIG. 4 is a left side elevation view of the magazine of FIG. 1; FIG. 5 is a right side elevation view of the magazine of FIG. 1; FIG. 6 is a top view of the magazine of FIG. 1; and, FIG. 7 is a bottom view of the magazine of FIG. 1. The shade lines in the Figures show contour and not surface ornamentation.

The broken lines showing portions of the design in all figures are included for the purpose of illustrating environment and unclaimed features and forms no part of the claimed design.

1 Claim, 6 Drawing Sheets



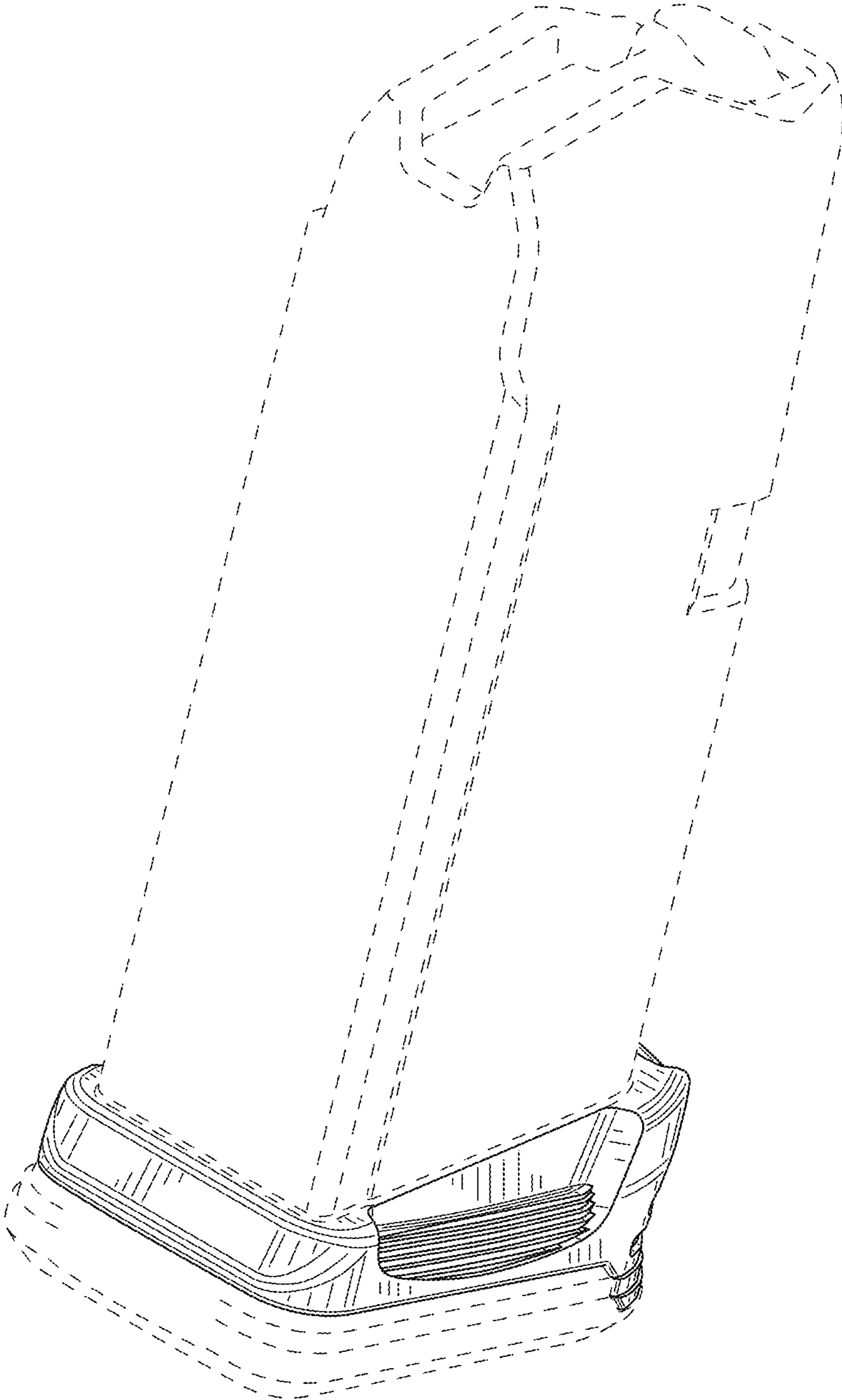


FIG.1

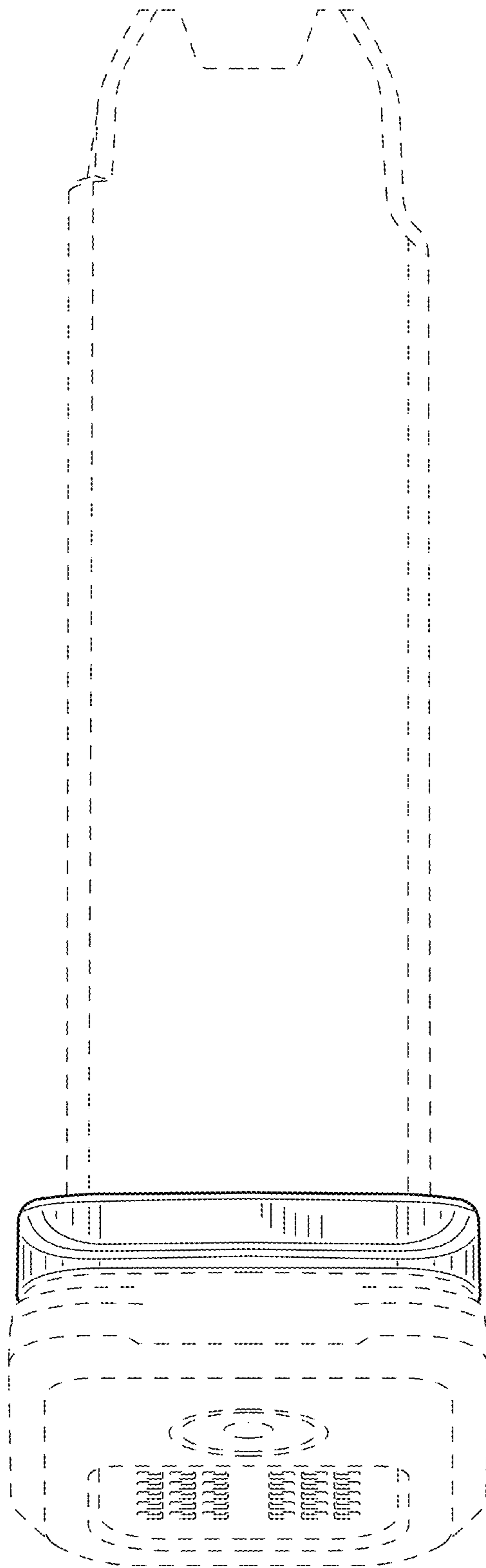


FIG. 2

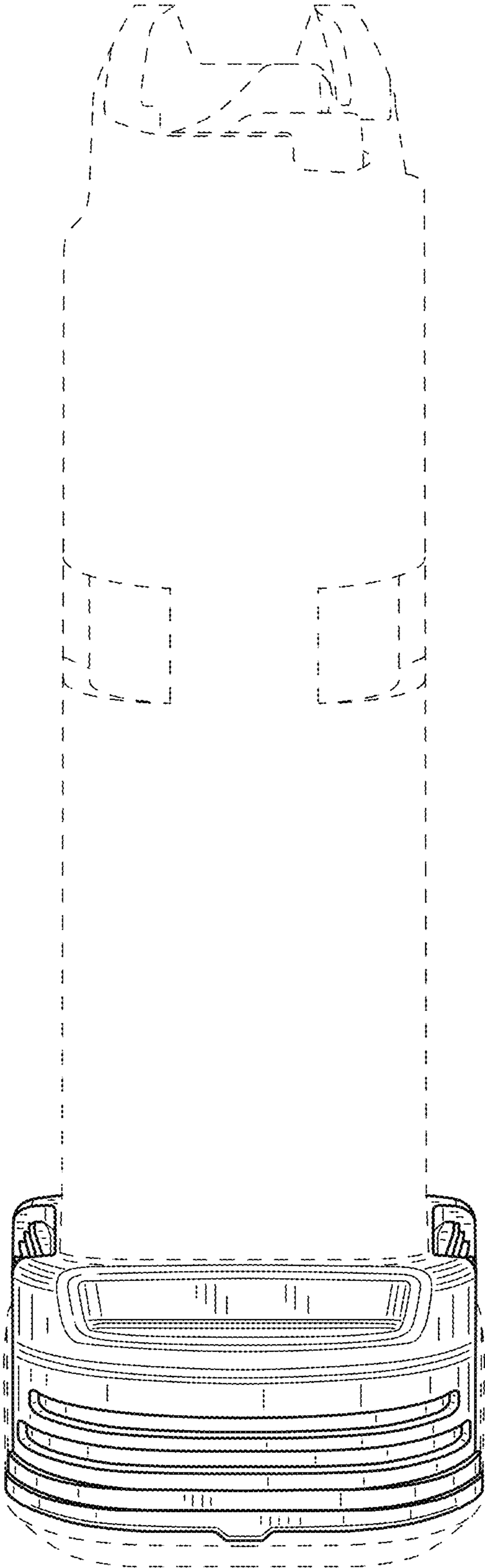


FIG.3

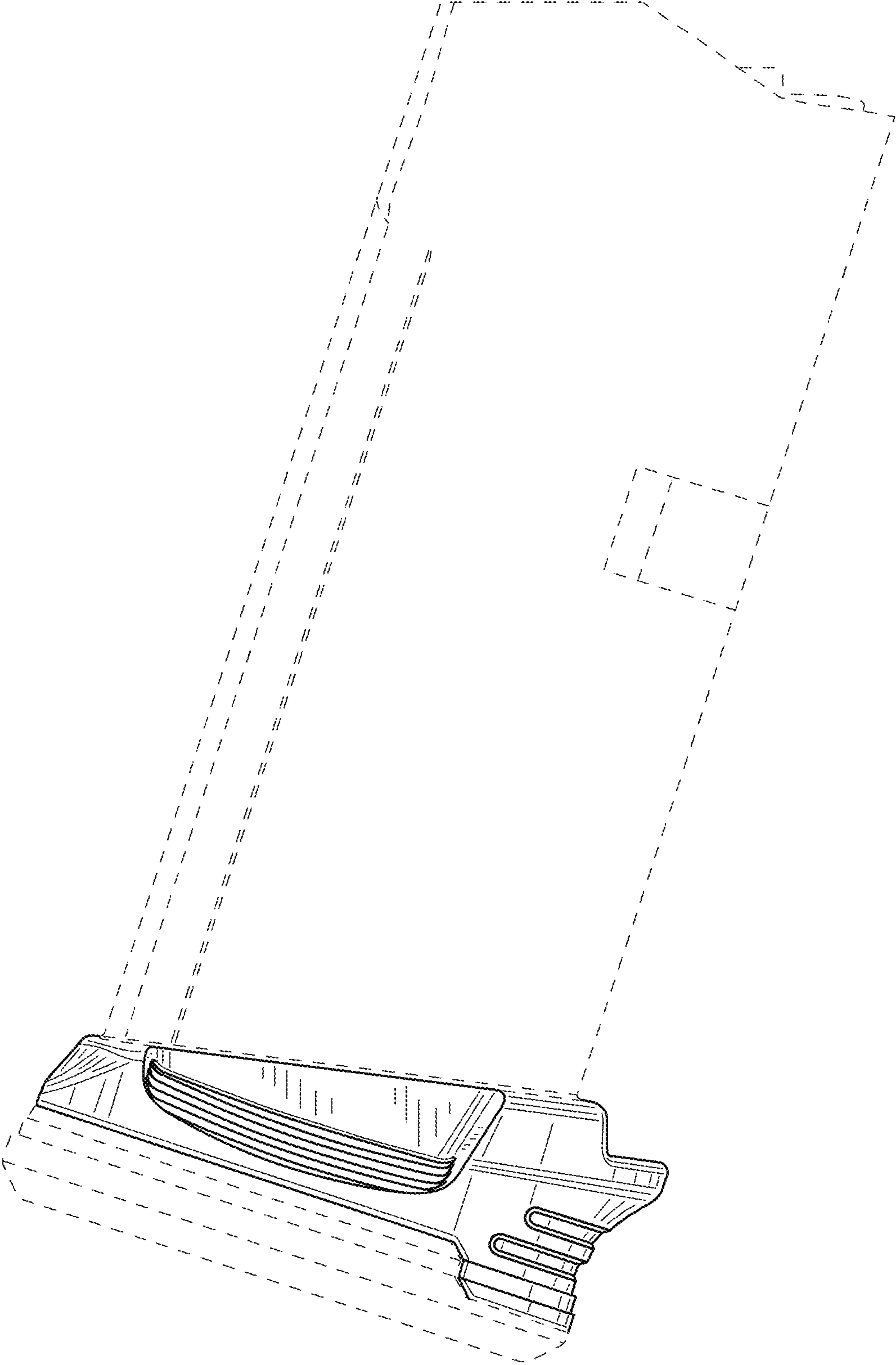


FIG.4

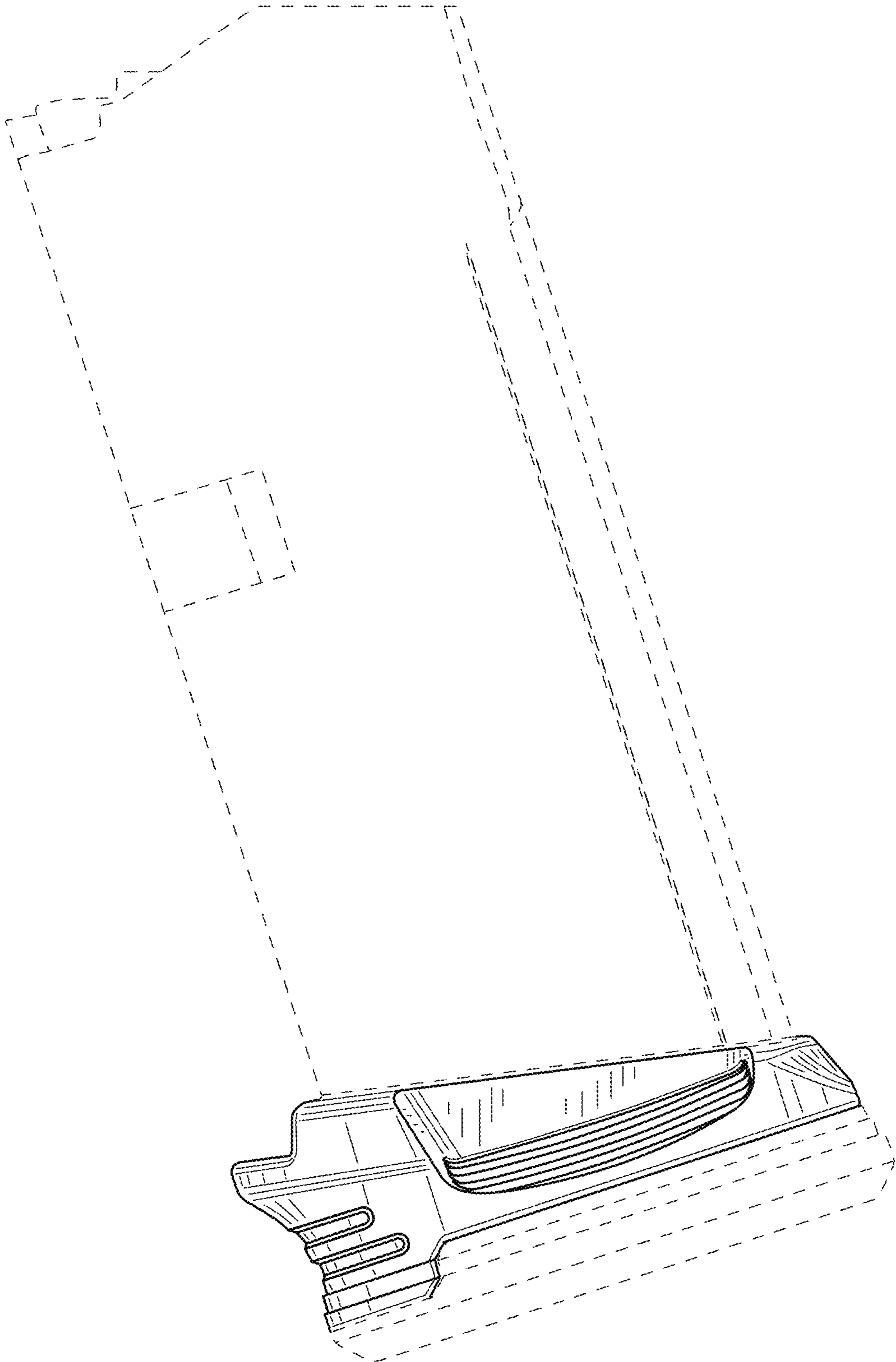


FIG.5

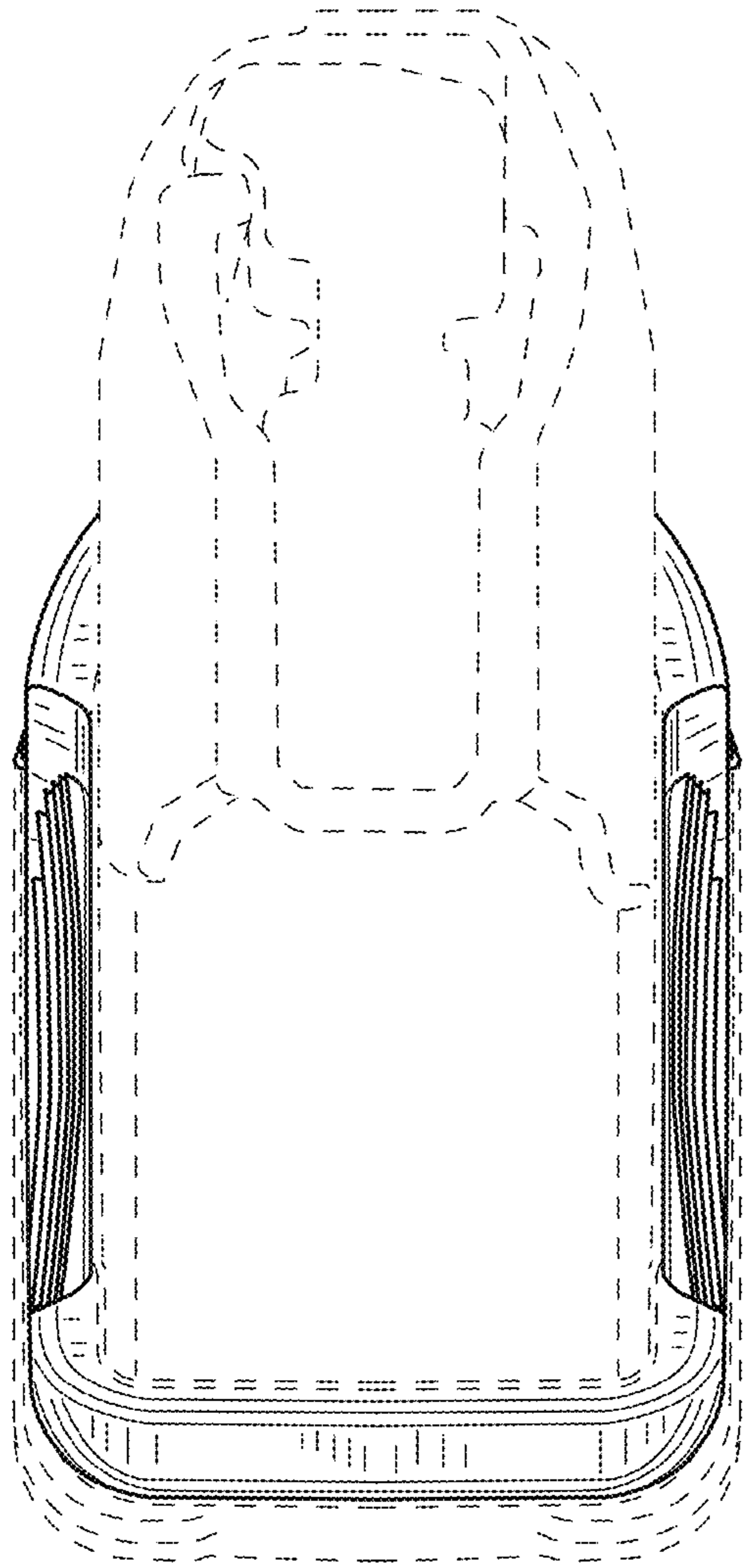


FIG. 6

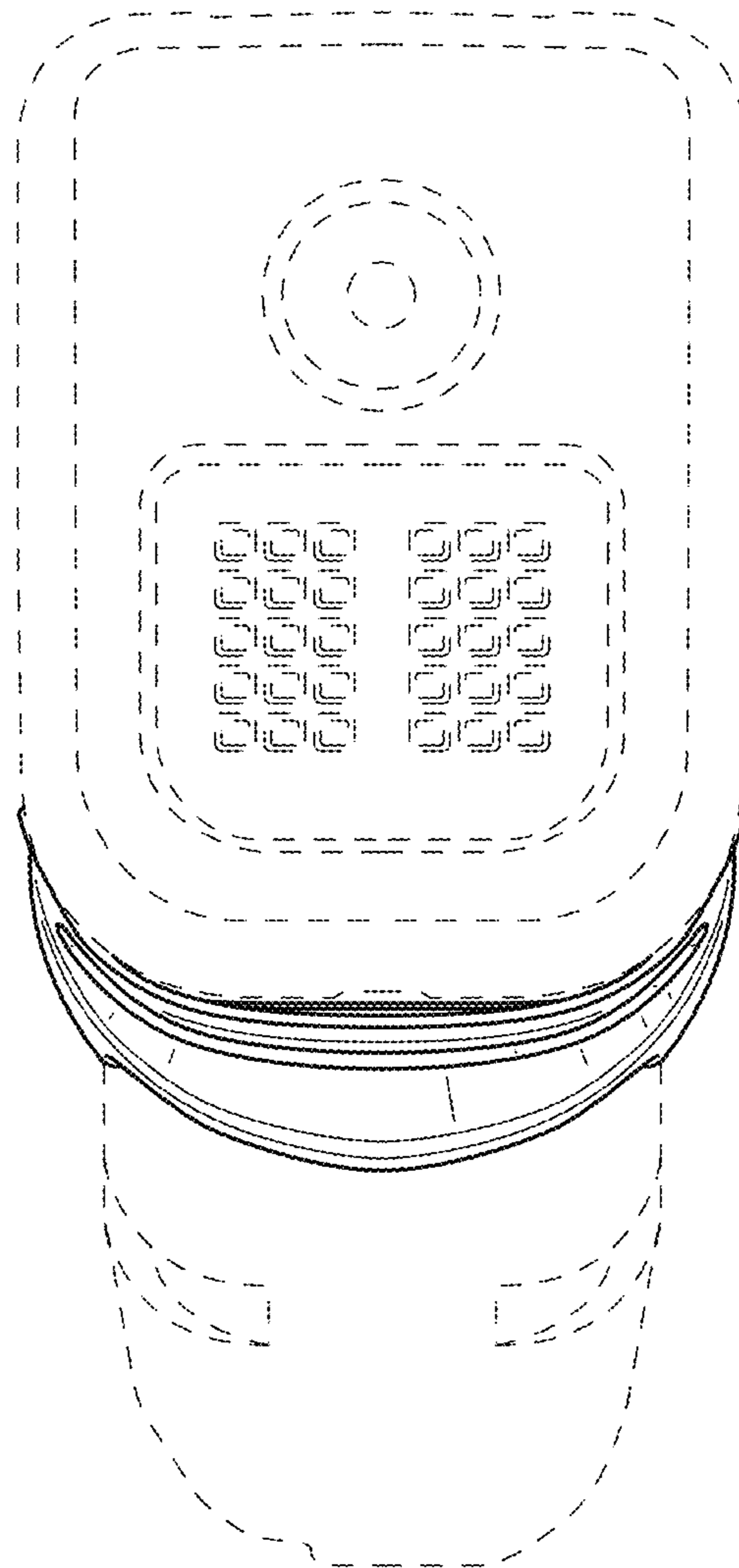


FIG. 7