



US00D812174S

(12) **United States Design Patent**
Civile

(10) **Patent No.:** **US D812,174 S**
(45) **Date of Patent:** **** Mar. 6, 2018**

- (54) **OUTDOOR WATER PLAY STRUCTURE**
- (71) Applicant: **SMARTPOOL LLC**, Lakewood, NJ (US)
- (72) Inventor: **Justin Civile**, Lakewood, NJ (US)
- (73) Assignee: **SMARTPOOL LLC**, Lakewood, NJ (US)
- (**) Term: **15 Years**
- (21) Appl. No.: **29/589,261**
- (22) Filed: **Dec. 29, 2016**
- (51) **LOC (11) Cl.** **21-03**
- (52) **U.S. Cl.**
USPC **D21/814**
- (58) **Field of Classification Search**
USPC D21/811, 814, 818-827
CPC A63G 31/007; A63G 31/02-31/16; A63B 9/00; A63B 2009/006; A63B 2009/008; B05B 3/026
See application file for complete search history.

- 5,741,189 A * 4/1998 Briggs A63B 9/00 472/128
- 5,779,240 A * 7/1998 Santella F41B 9/0053 273/349
- 5,820,471 A * 10/1998 Briggs A63B 9/00 472/117
- 5,820,472 A * 10/1998 Briggs A63B 9/00 472/128
- D406,871 S * 3/1999 Briggs D21/811
- 5,934,563 A * 8/1999 Gapco B05B 3/026 239/251
- 6,050,872 A * 4/2000 Cahill A63H 33/30 239/279
- 6,210,287 B1 * 4/2001 Briggs A63G 31/00 273/394
- 6,319,139 B1 * 11/2001 Tracy A63B 71/02 472/117
- D460,790 S * 7/2002 Moffett, III D21/506
- 6,786,830 B2 * 9/2004 Briggs A63B 9/00 472/117
- 7,946,307 B2 * 5/2011 Zheng E04H 15/40 135/126

(Continued)

Primary Examiner — Mitchell I. Siegel
(74) *Attorney, Agent, or Firm* — Birch, Stewart, Kolasch & Birch, LLP

(56) **References Cited**

U.S. PATENT DOCUMENTS

- 1,373,324 A * 3/1921 Gomez A01G 25/00 239/110
- 3,752,472 A * 8/1973 Snead A63B 9/00 482/35
- 5,194,048 A * 3/1993 Briggs A63B 9/00 472/128
- 5,385,472 A * 1/1995 Mullin G09B 23/12 434/126
- 5,480,336 A * 1/1996 Blanchard A63H 23/16 239/279
- 5,649,867 A * 7/1997 Briggs A63B 9/00 472/128
- 5,662,525 A * 9/1997 Briggs A63B 9/00 472/128

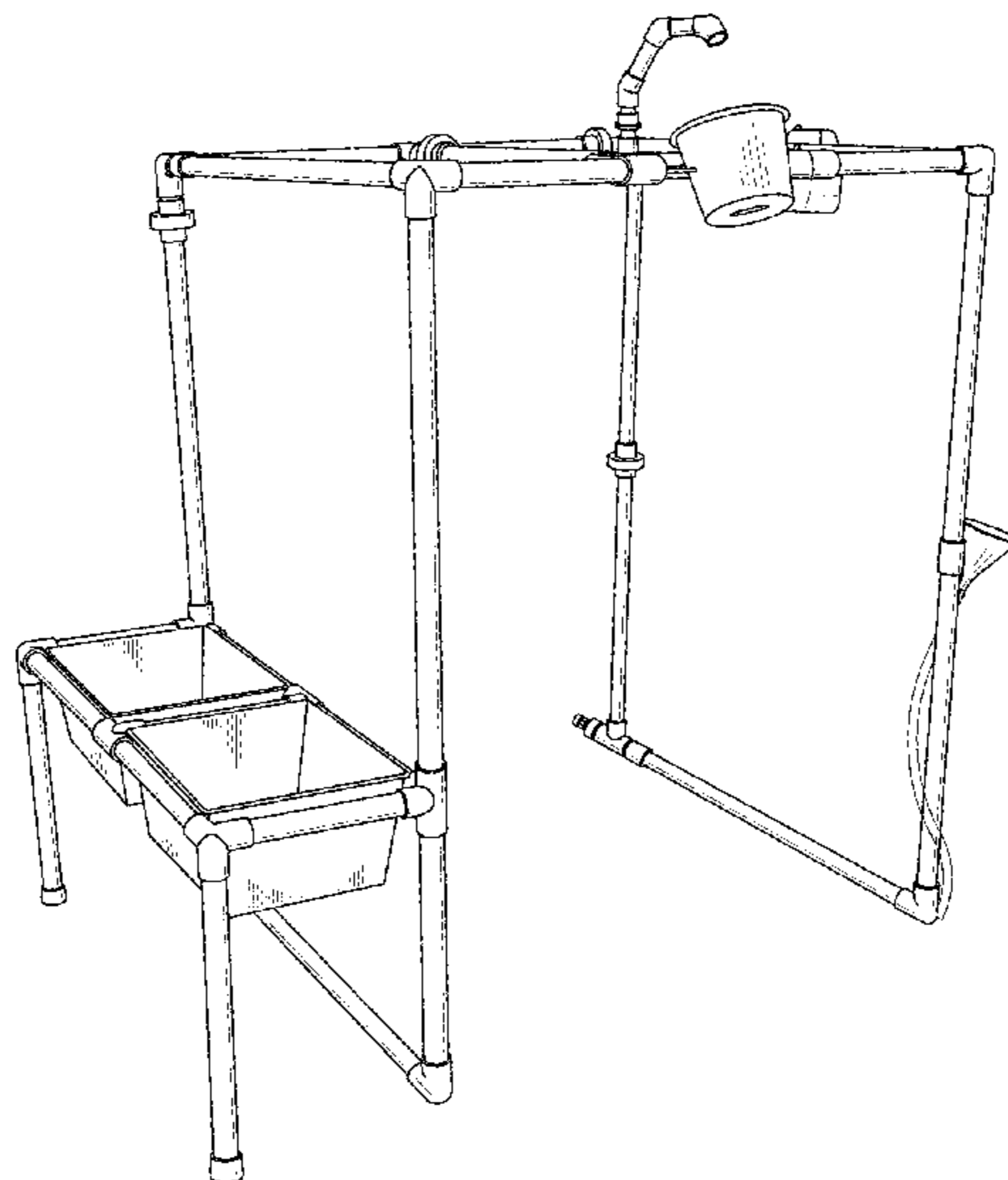
(57) **CLAIM**

The ornamental design for an outdoor water play structure, as shown and described.

DESCRIPTION

FIG. 1 is a front and left side perspective view of an outdoor water play structure showing my new design; FIG. 2 is a left side elevational view thereof; FIG. 3 is a right side elevational view thereof; FIG. 4 is a front elevational view thereof; FIG. 5 is a rear elevational view thereof; FIG. 6 is top plan view thereof; and, FIG. 7 is a rear and right side perspective view thereof.

1 Claim, 5 Drawing Sheets



(56)

References Cited

U.S. PATENT DOCUMENTS

D642,646 S * 8/2011 Irvine D21/811
8,037,906 B1 * 10/2011 Grillo A63G 31/007
141/10
D651,677 S * 1/2012 Shannon D21/811
8,821,304 B2 * 9/2014 Ensing A63G 31/007
472/128
9,458,641 B2 * 10/2016 Harlow E04H 1/1277
9,517,420 B2 * 12/2016 White A63G 31/007
9,604,151 B2 * 3/2017 DeCaro
2010/0288320 A1 * 11/2010 Rehkemper E04H 15/02
135/96

* cited by examiner

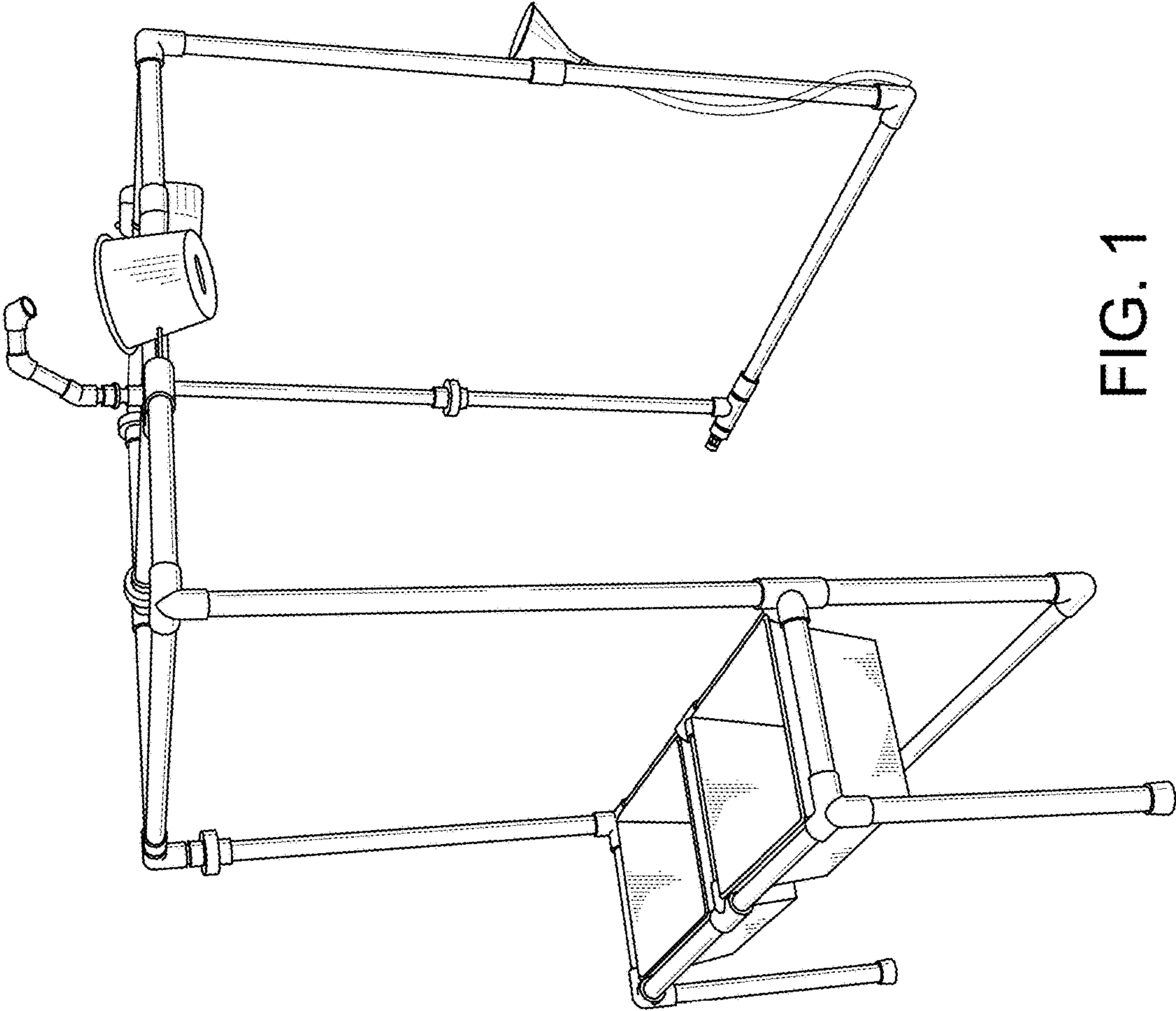


FIG. 1

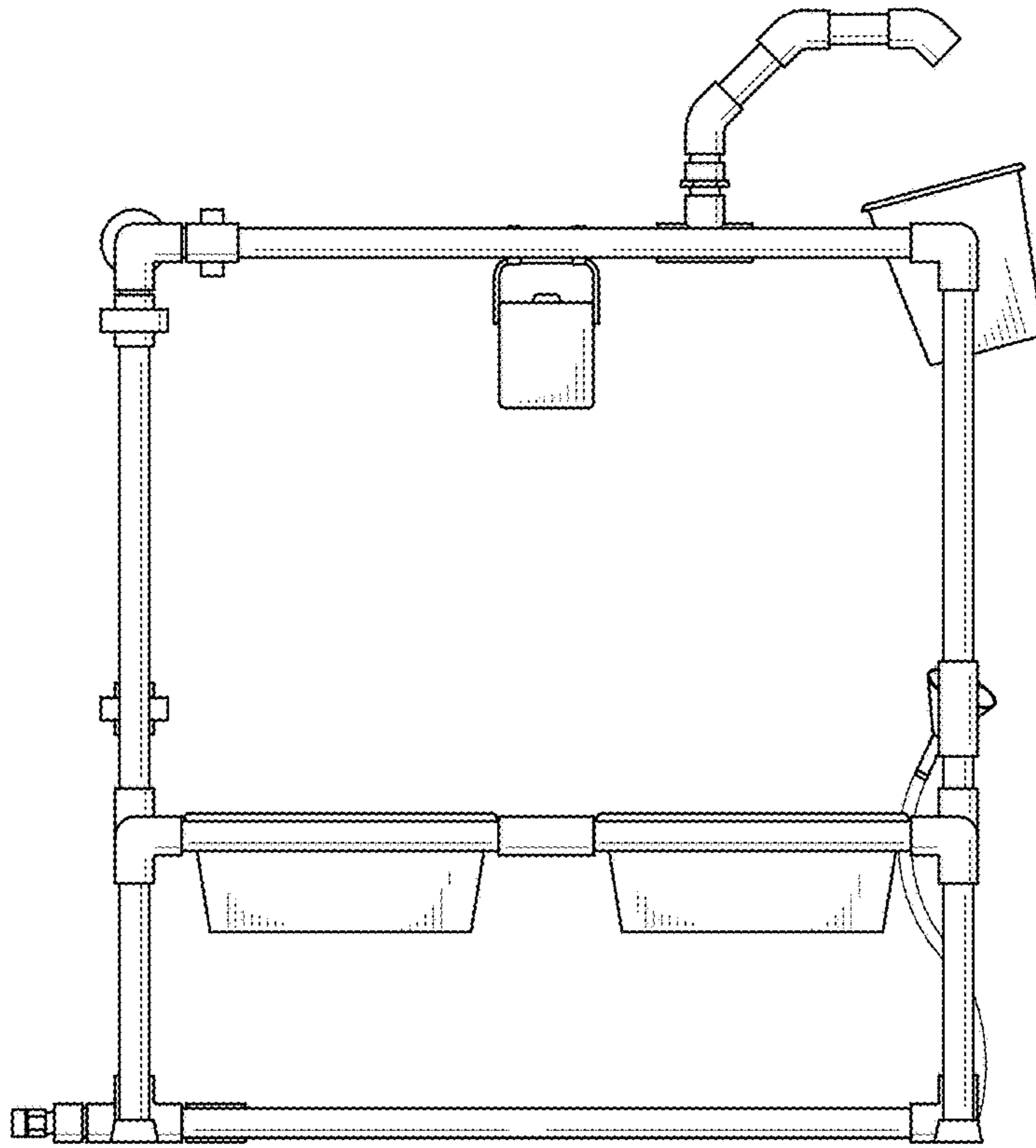


FIG. 2

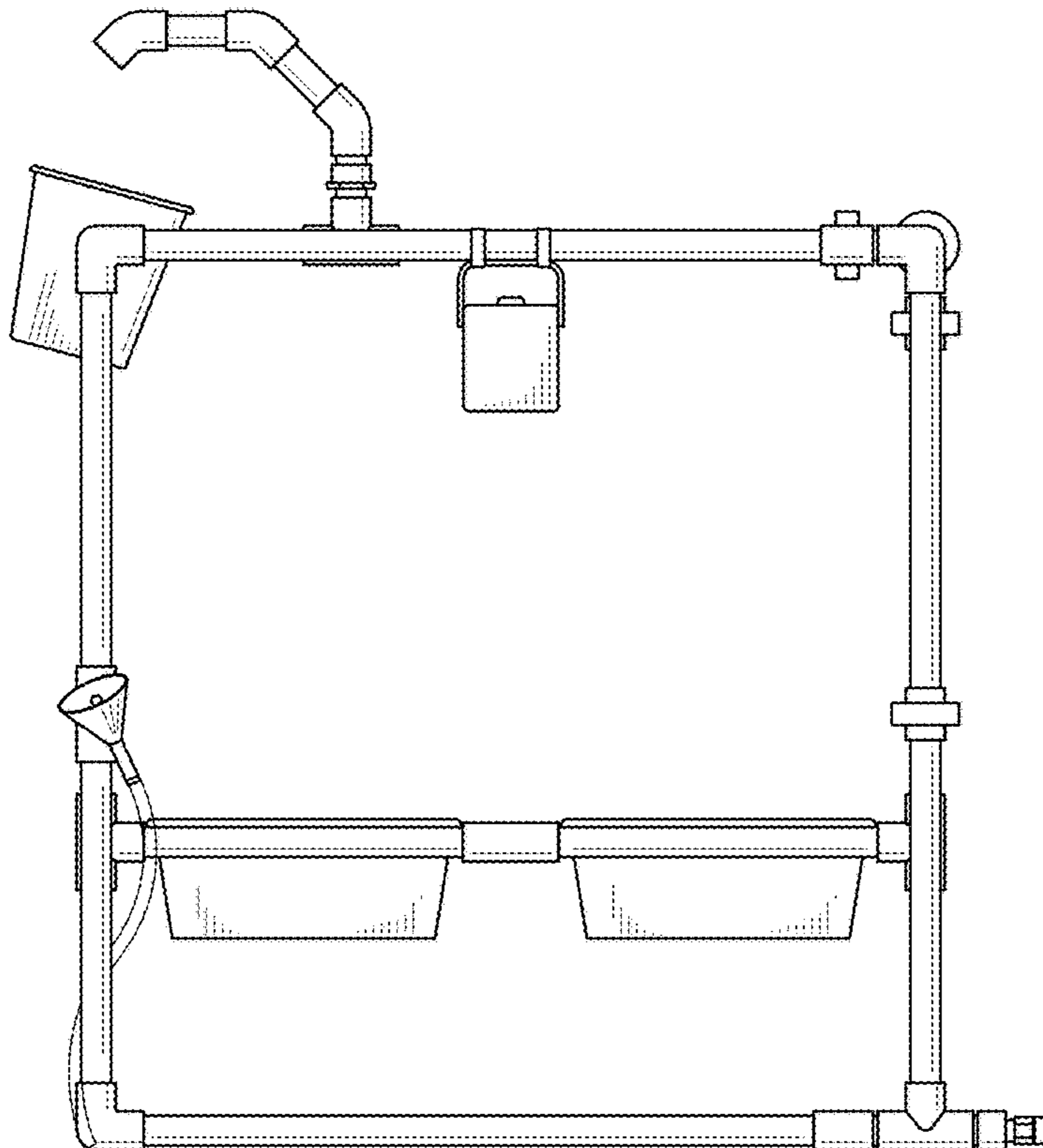


FIG. 3

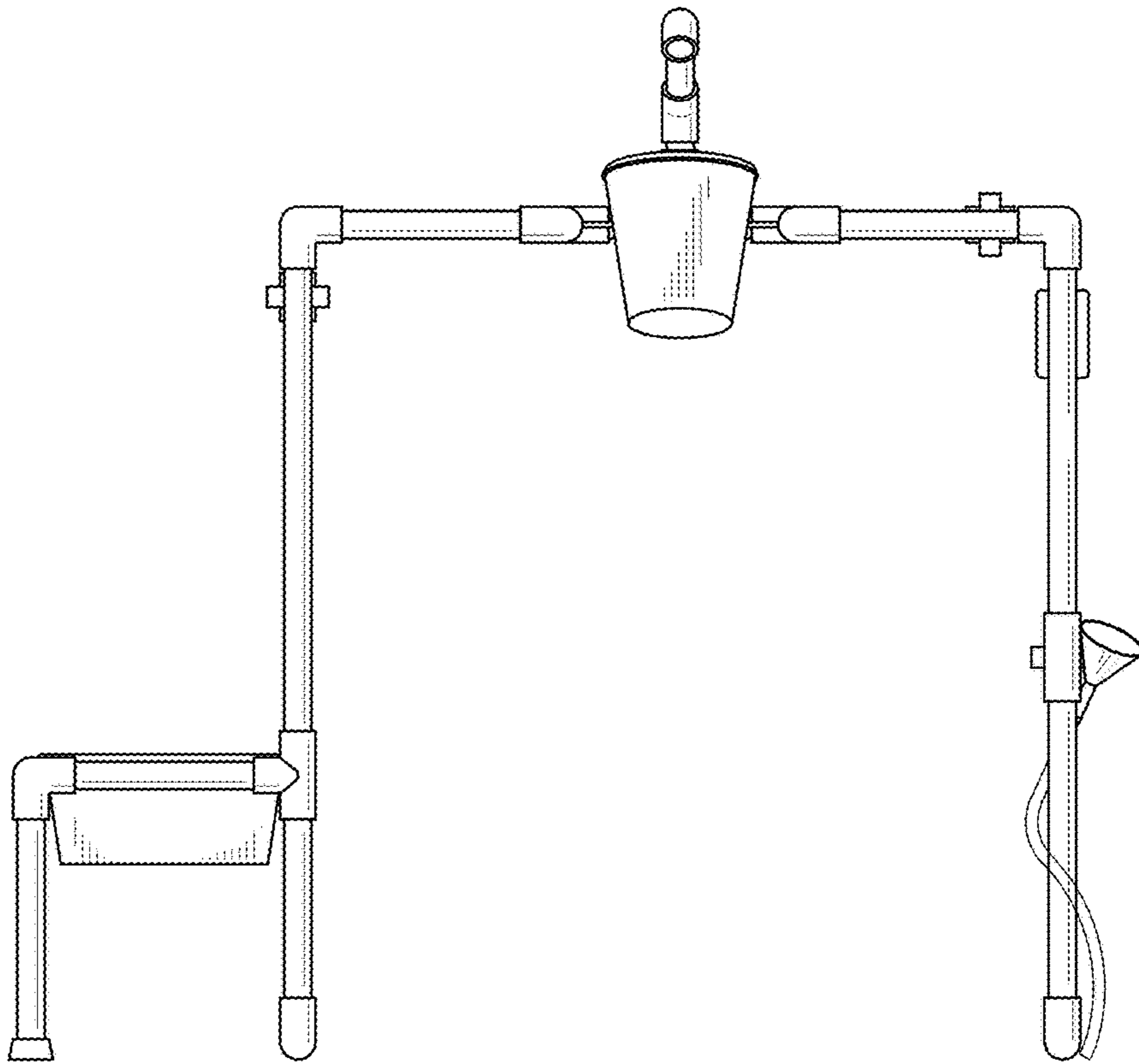


FIG. 4

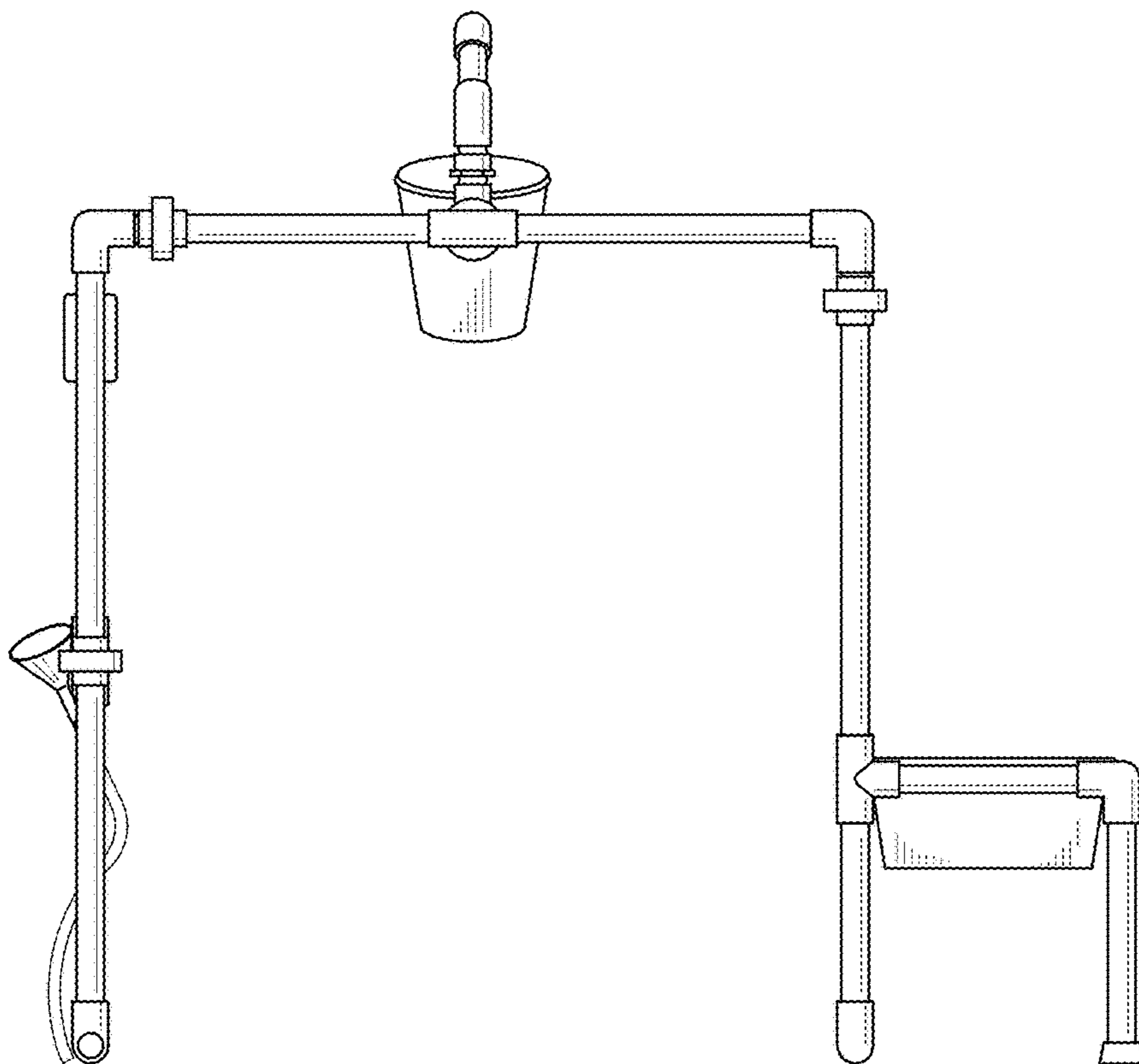


FIG. 5

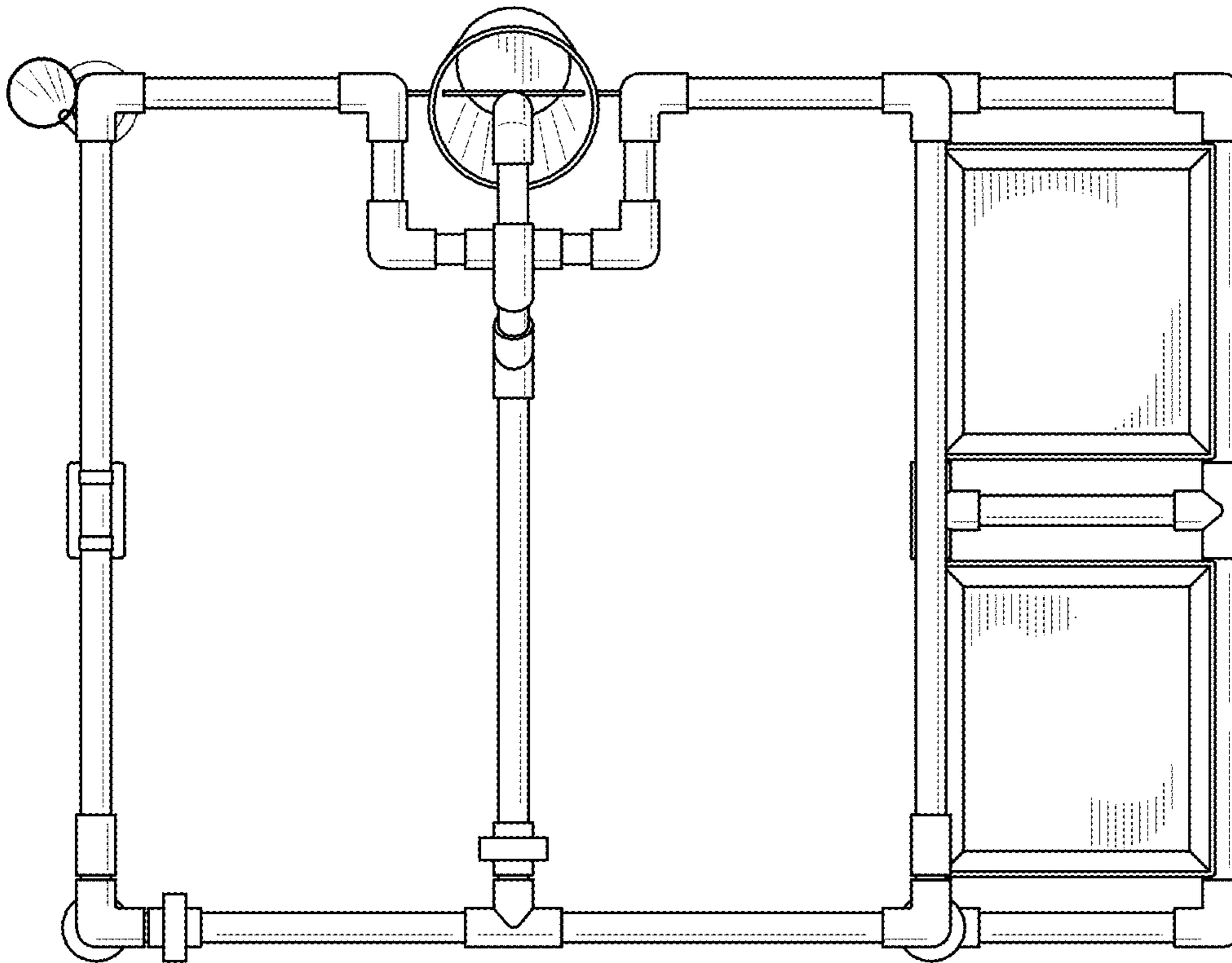


FIG. 6

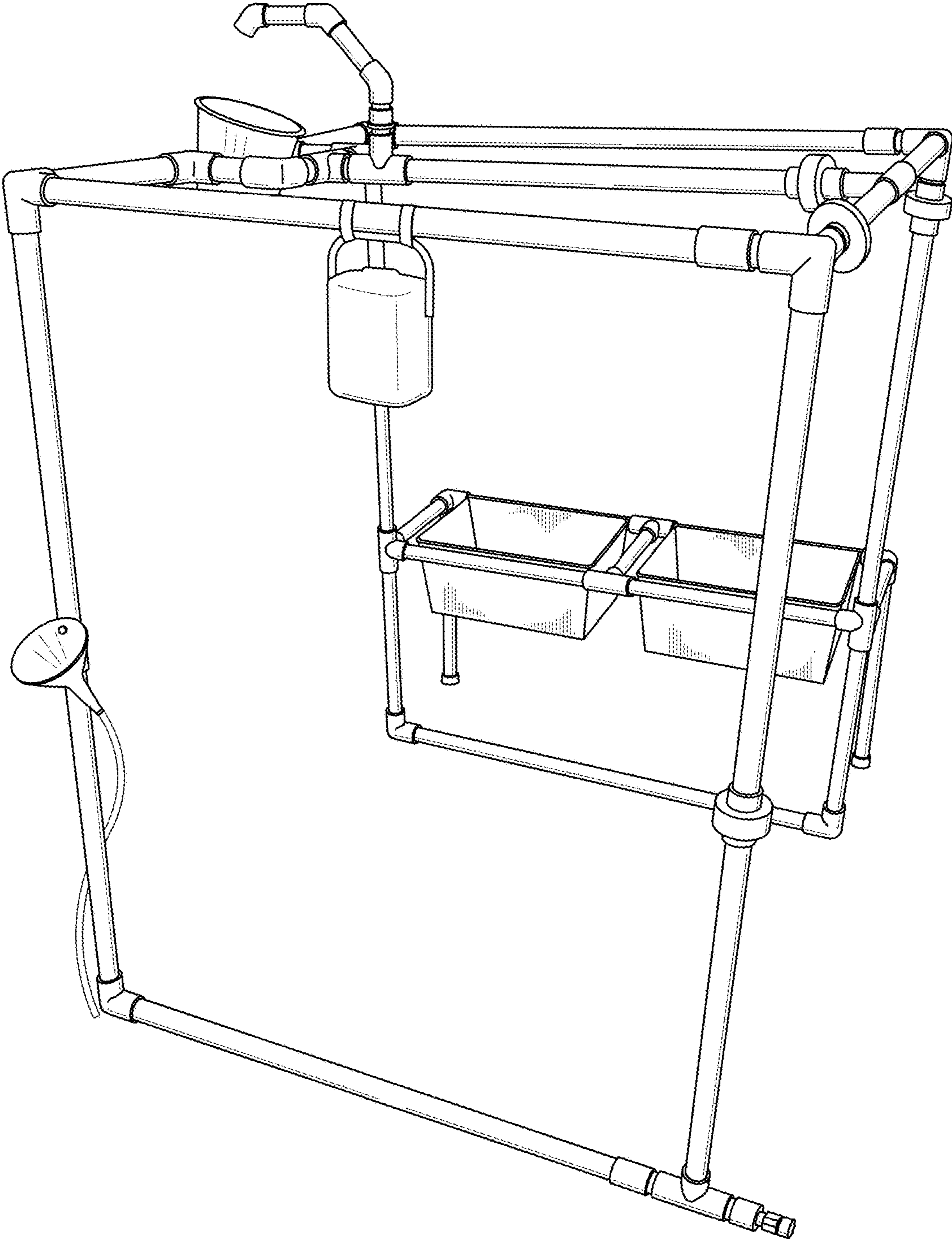


FIG. 7