



US00D812173S

(12) **United States Design Patent**
Levesque

(10) **Patent No.:** **US D812,173 S**
(45) **Date of Patent:** **** Mar. 6, 2018**

- (54) **PAIR OF OTTER SWIM FINS**
- (71) Applicant: **Joseph Dennis Levesque**, Murrieta, CA (US)
- (72) Inventor: **Joseph Dennis Levesque**, Murrieta, CA (US)
- (**) Term: **15 Years**
- (21) Appl. No.: **29/589,090**
- (22) Filed: **Dec. 28, 2016**

Related U.S. Application Data

- (62) Division of application No. 29/517,690, filed on Feb. 16, 2015, now Pat. No. Des. 782,594, which is a division of application No. 29/463,751, filed on Jun. 5, 2014, now Pat. No. Des. 755,321.
- (51) **LOC (11) Cl.** **21-02**
- (52) **U.S. Cl.**
USPC **D21/806**
- (58) **Field of Classification Search**
USPC D21/801, 803, 804, 806, 807; 441/55, 441/56, 58, 60, 61
CPC ... A63B 31/10; A63B 31/11; A63B 2031/112; A63B 2031/115
See application file for complete search history.

(56) **References Cited**

U.S. PATENT DOCUMENTS

- D423,623 S * 4/2000 Evans D21/806
- D449,667 S * 10/2001 Evans D21/806

- D553,218 S * 10/2007 Keegan D21/806
- D561,862 S * 2/2008 Moyal D21/804
- D561,863 S * 2/2008 Moyal D21/804
- D594,077 S * 6/2009 Vassallo D21/806
- D613,807 S * 4/2010 Vassallo D21/804
- D613,808 S * 4/2010 Vassallo D21/806
- D646,740 S * 10/2011 Portas D21/806

* cited by examiner

Primary Examiner — Zenia Bennett

(74) *Attorney, Agent, or Firm* — Joel C. Solbach

(57) **CLAIM**

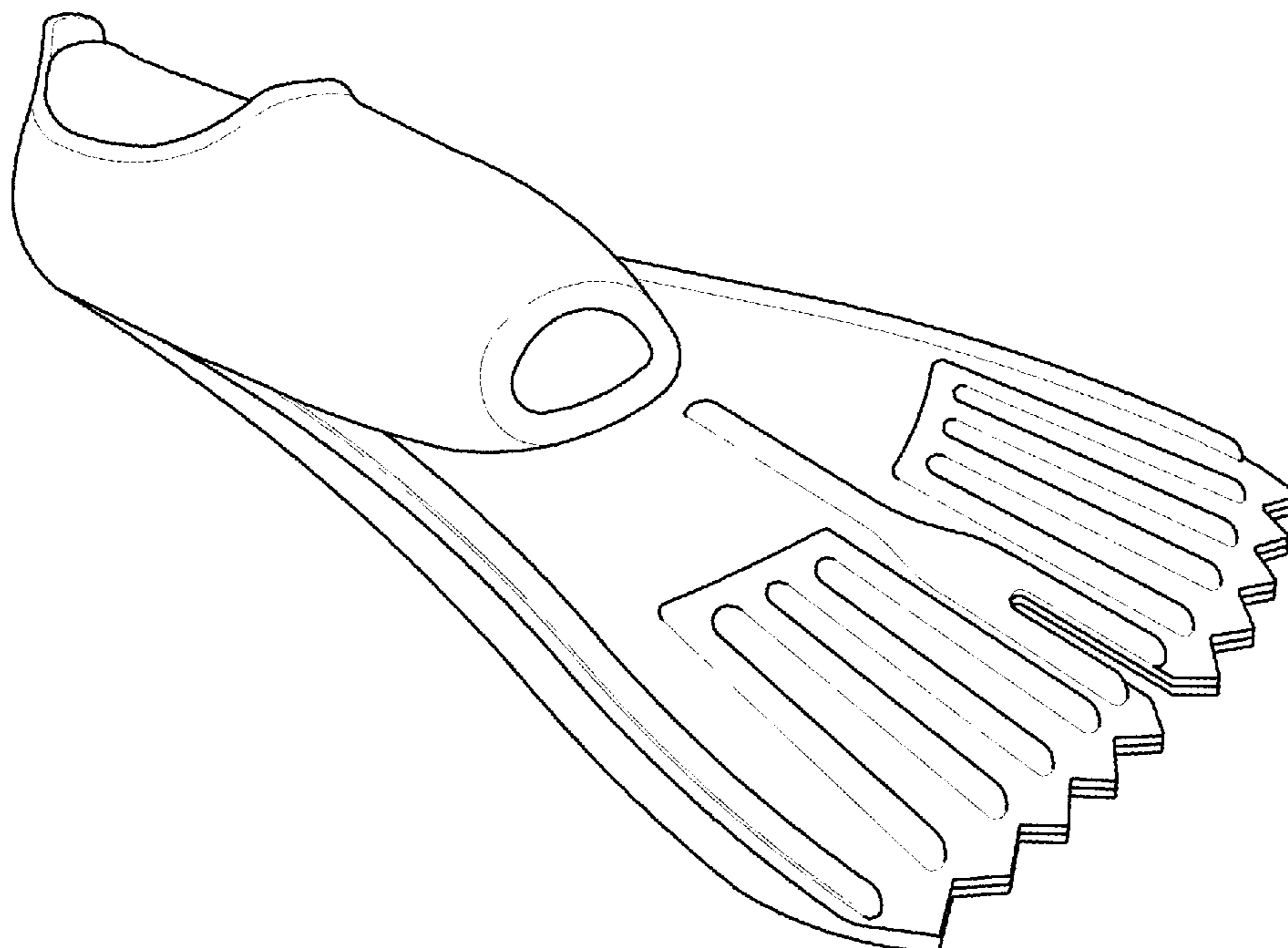
The ornamental design for pair of otter swim fins, as shown and described.

DESCRIPTION

FIG. 1 is a perspective view of my pair of otter swim fins design;
 FIG. 2 is a front view thereof;
 FIG. 3 is a rear view thereof;
 FIG. 4 is a right side view thereof;
 FIG. 5 is a left side view thereof;
 FIG. 6 is a top view thereof;
 FIG. 7 is a sectional view taken along the center of the top view thereof; and,
 FIG. 8 is a bottom view thereof.

The article shown is the design for a left foot swim fin. The design also includes the article for the right foot which is not shown but is a mirror image of the article shown.

1 Claim, 5 Drawing Sheets



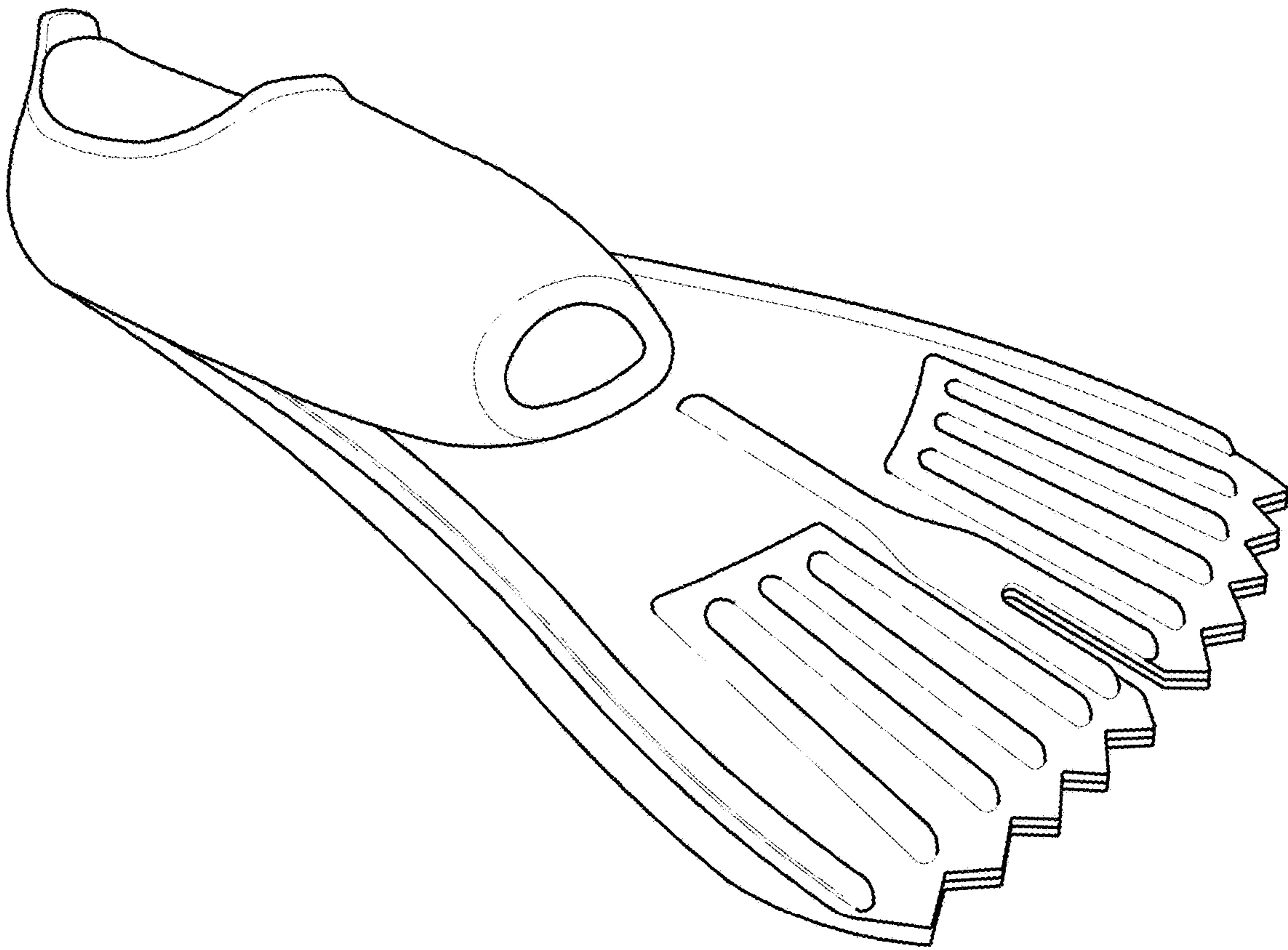


FIG. 1

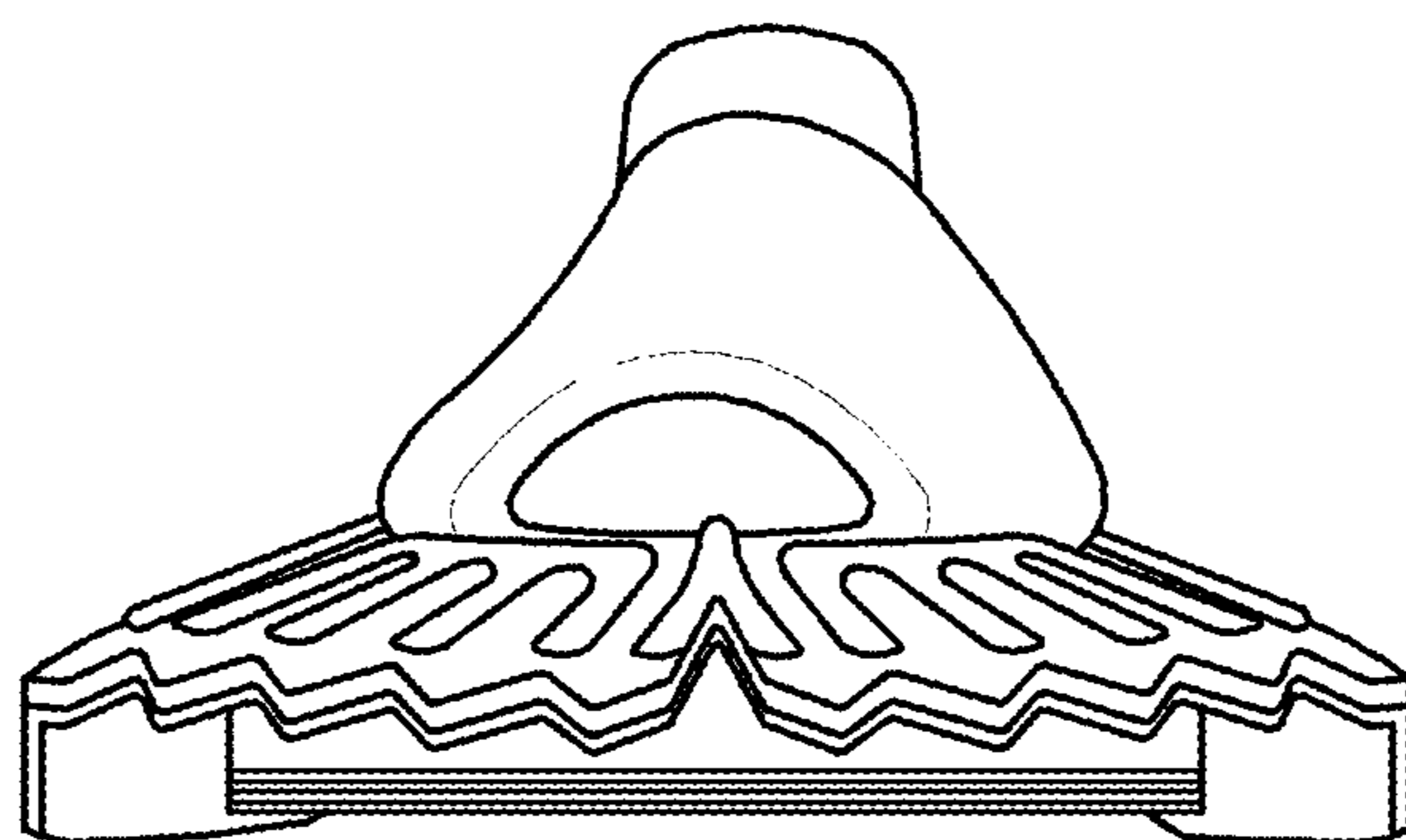


FIG. 2

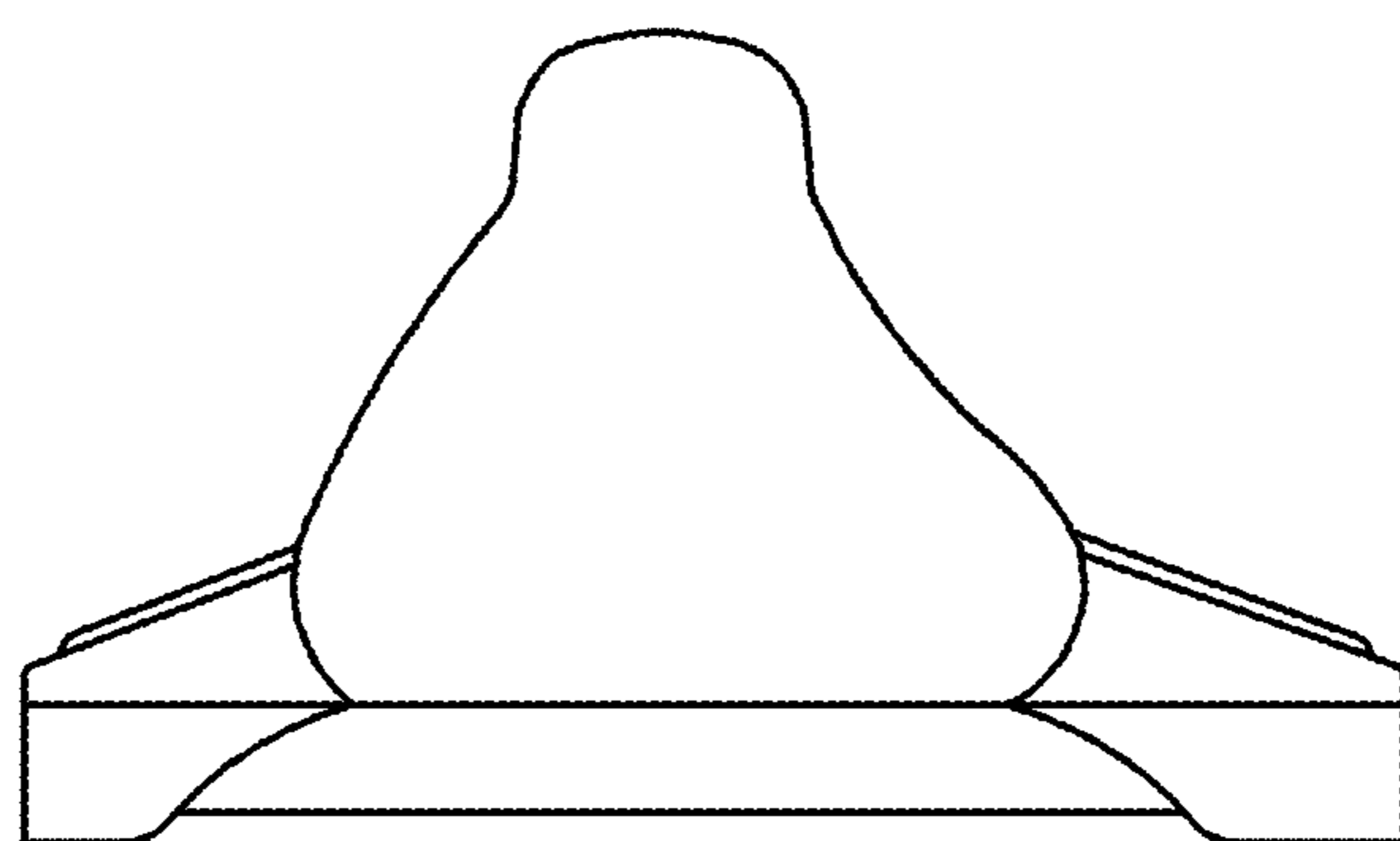


FIG. 3

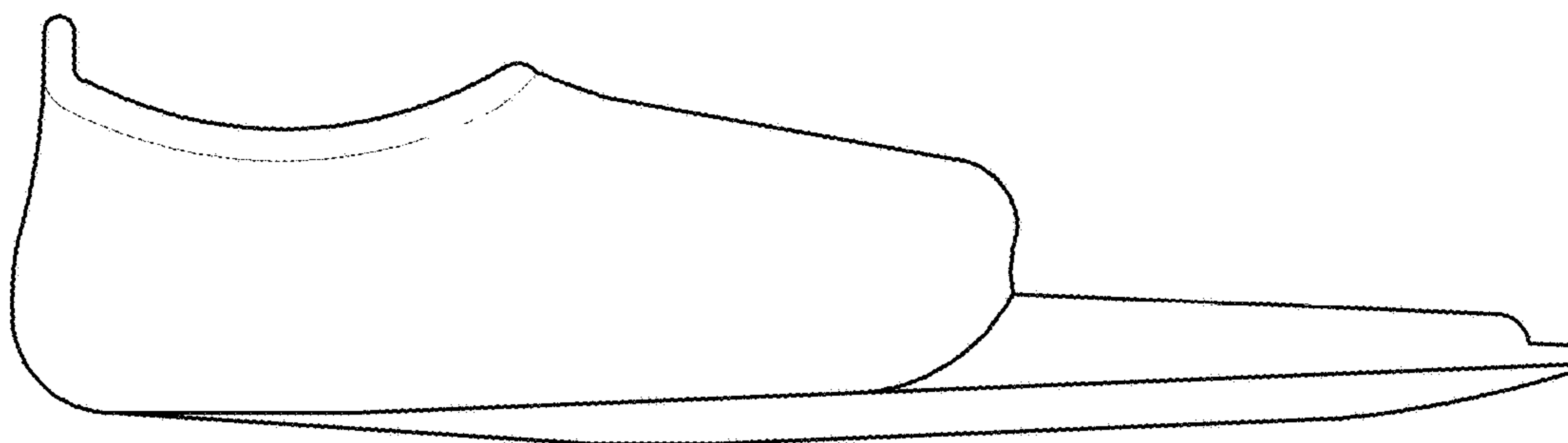


FIG. 4

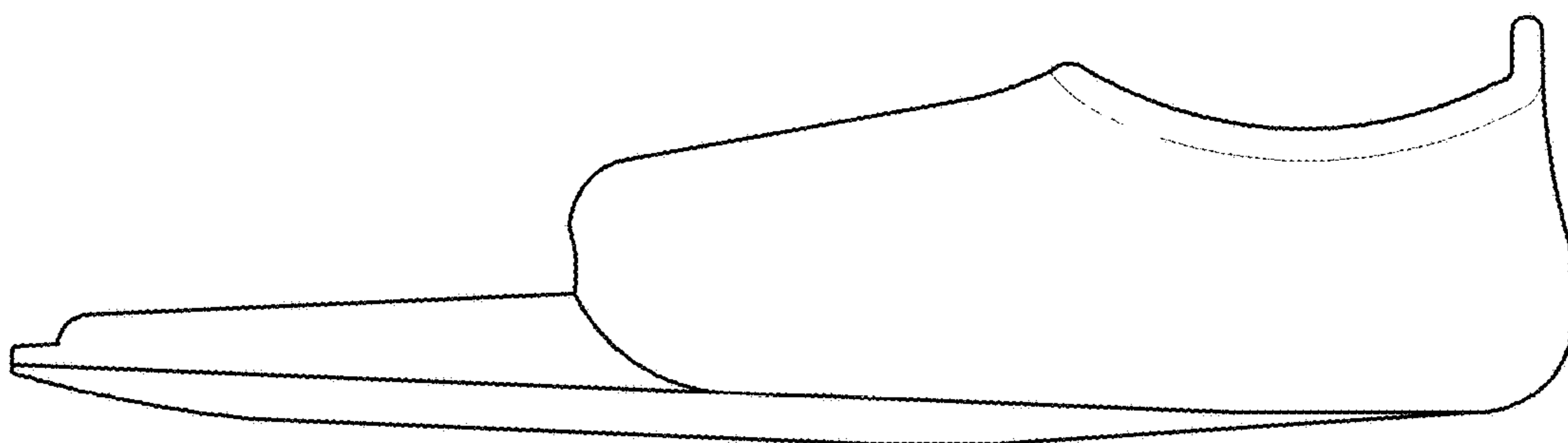


FIG. 5

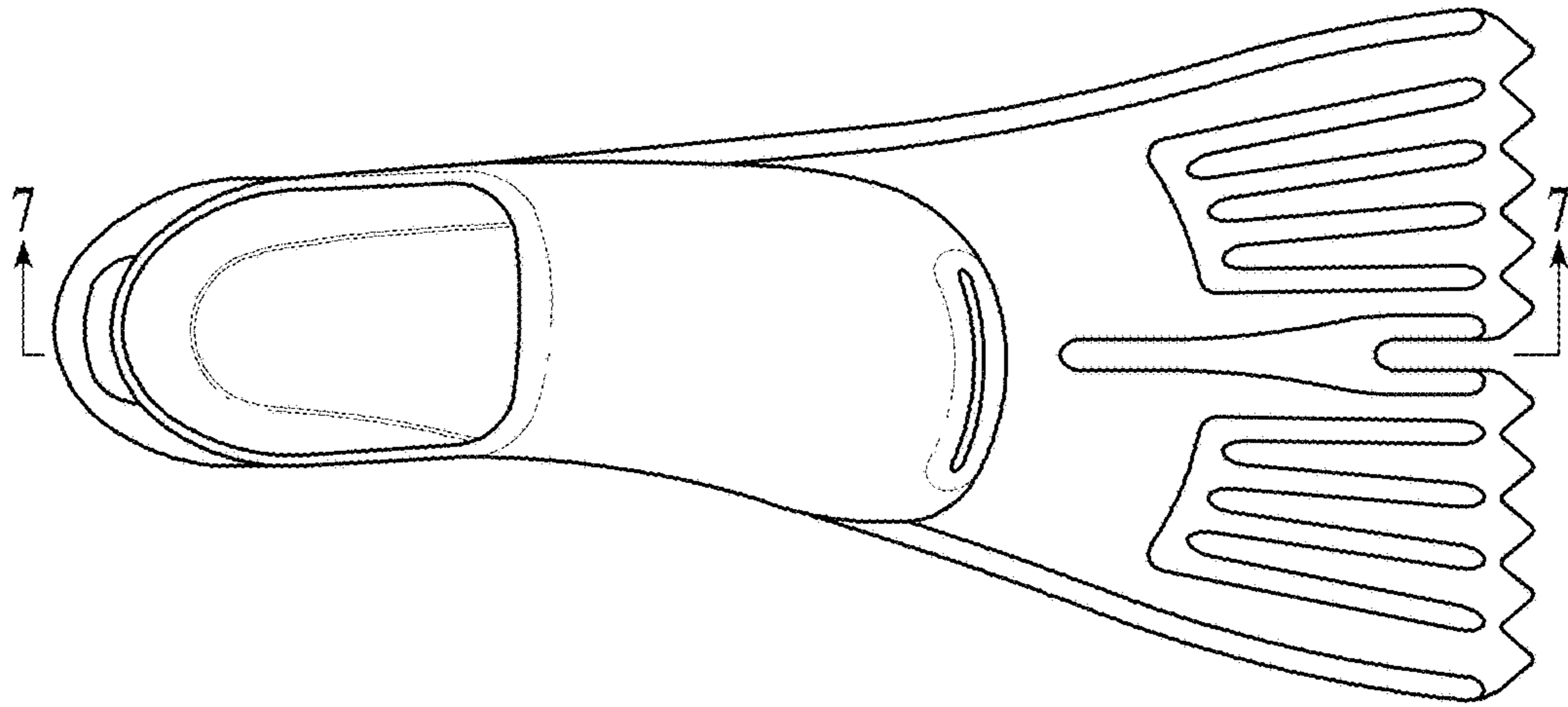


FIG. 6

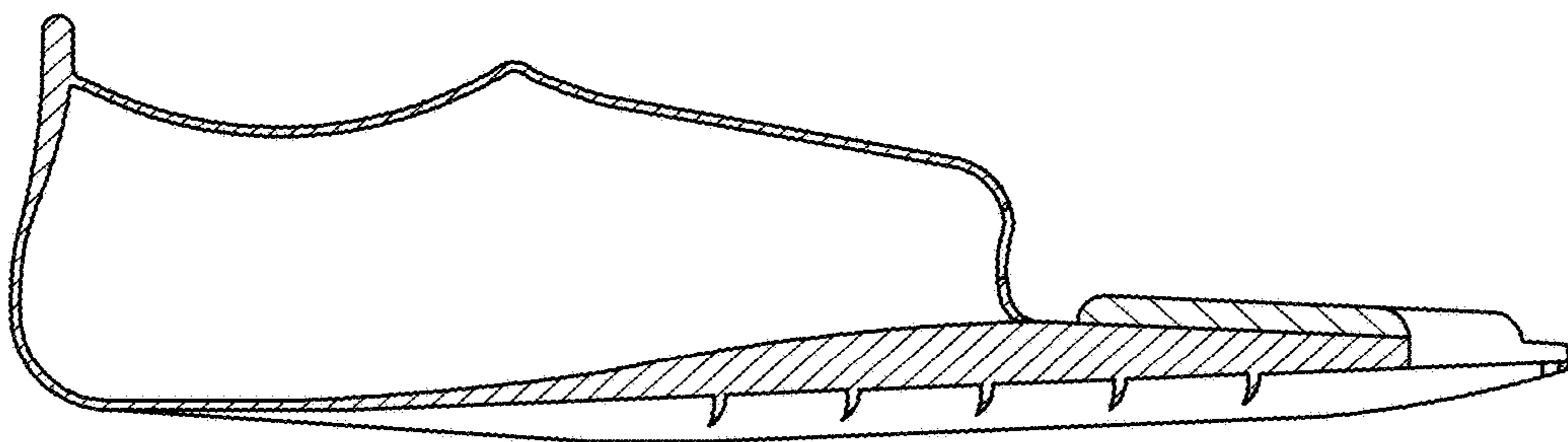


FIG. 7

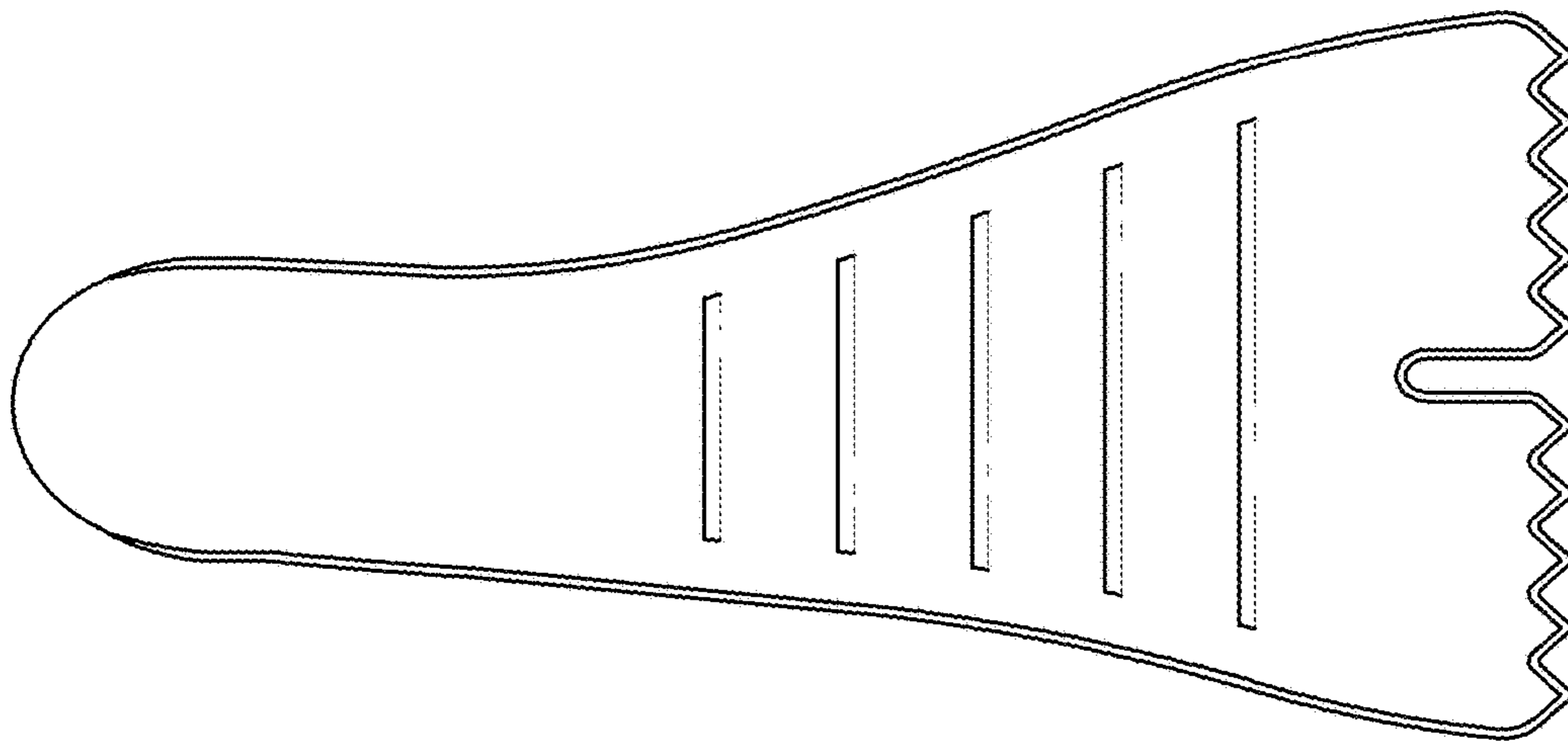


FIG. 8