



US00D812170S

(12) **United States Design Patent** (10) **Patent No.:** **US D812,170 S**
Henderson (45) **Date of Patent:** **** Mar. 6, 2018**

(54) **LEASH CUFF FOR WATER SPORTS BOARD LEASH**

(71) Applicant: **Carson Thomas Henderson**, Franklin, TN (US)

(72) Inventor: **Carson Thomas Henderson**, Franklin, TN (US)

(**) Term: **15 Years**

(21) Appl. No.: **29/529,414**

(22) Filed: **Jun. 5, 2015**

(51) **LOC (11) Cl.** **21-02**

(52) **U.S. Cl.**
USPC **D21/771; D24/169**

(58) **Field of Classification Search**
USPC **D21/766-779; D24/169, 167**
(Continued)

(56) **References Cited**

U.S. PATENT DOCUMENTS

35,038 A * 4/1862 Pierce A61B 17/1327
24/68 R
1,447,967 A 3/1923 Davis
(Continued)

FOREIGN PATENT DOCUMENTS

WO 2015085124 A2 12/2014
WO 2015119968 A1 8/2015
WO 2016089446 6/2016

OTHER PUBLICATIONS

Written Opinion of the International Search Authority/US, dated May 22, 2015 on International Patent Application PCT/US14/68675, filed Dec. 5, 2014 in the name of Carson Thomas Henderson.
(Continued)

Primary Examiner — Cathron C Brooks
Assistant Examiner — Sharon S Oum

(74) *Attorney, Agent, or Firm* — Franklin & Associates International Inc; Matthew Lambrinos

(57) **CLAIM**

The ornamental design for the leash cuff for water sports board leash, as shown and described.

DESCRIPTION

FIG. 1 is a top perspective view of a leash cuff for water sports board leash showing my new design, the leash cuff for water sports board leash being in an unextended, open configuration;

FIG. 2 is a front end view of the leash cuff for water sports board leash of FIG. 1;

FIG. 3 is a right side elevation view of the leash cuff for water sports board leash of FIG. 1;

FIG. 4 is a left side elevation view of the leash cuff for water sports board leash of FIG. 1;

FIG. 5 is a rear end view of the leash cuff for water sports board leash of FIG. 1;

FIG. 6 is a top plan view of the leash cuff for water sports board leash of FIG. 1;

FIG. 7 is a bottom plan view of the leash cuff for water sports board leash of FIG. 1;

FIG. 8 is a perspective view of the leash cuff for water sports board leash of FIG. 1 in a closed configuration for use as leash cuff;

FIG. 9 is a top perspective view of the leash cuff for water sports board leash of FIG. 1 in an extended, open configuration and ready for use as a tourniquet in medical emergencies;

FIG. 10 is a front end view of the leash cuff for water sports board leash of FIG. 9;

FIG. 11 is a right side elevation view of the leash cuff for water sports board leash of FIG. 9;

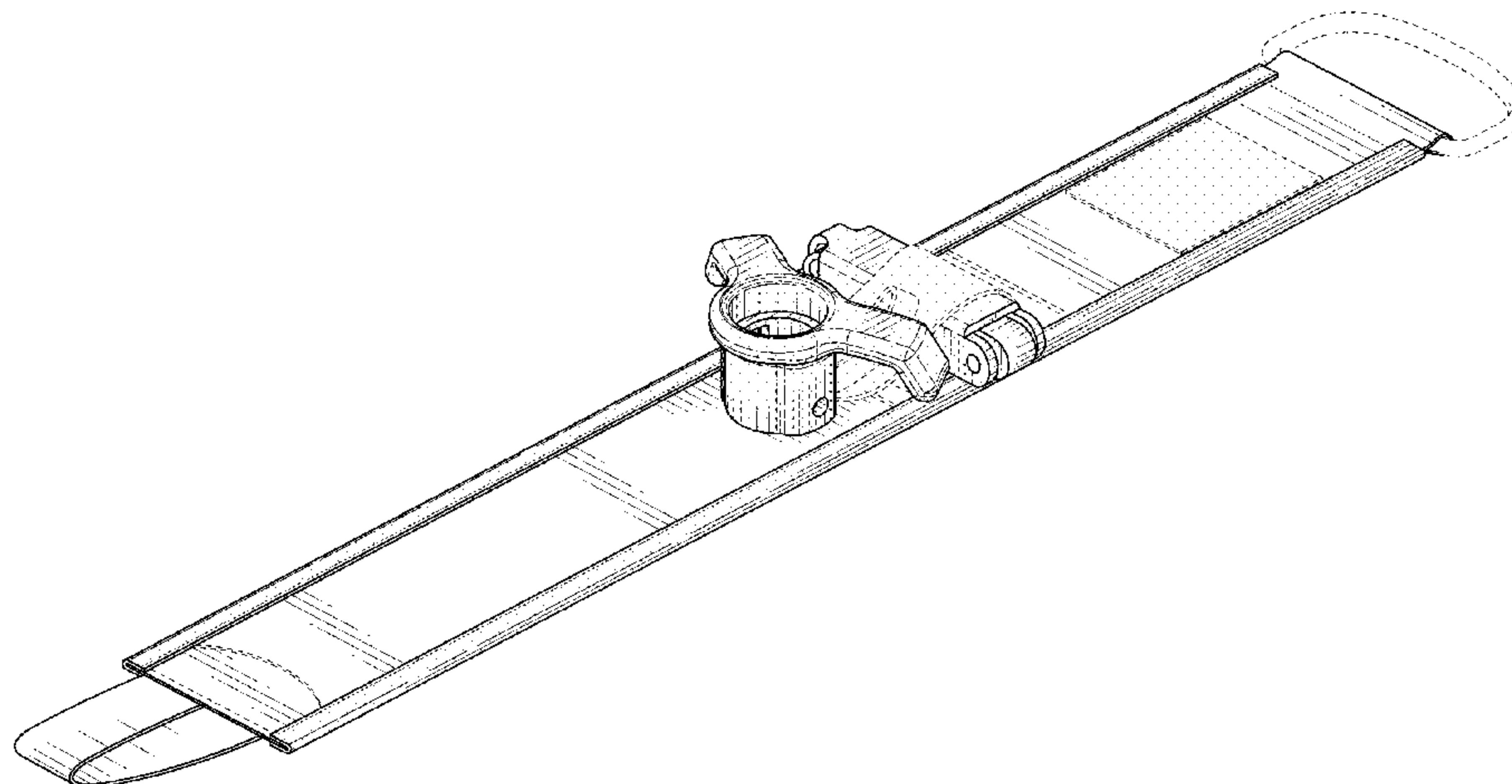
FIG. 12 is a left side elevation view of the leash cuff for water sports board leash of FIG. 9;

FIG. 13 is a rear end view of the leash cuff for water sports board leash of FIG. 9;

FIG. 14 is a top plan view of the leash cuff for water sports board leash of FIG. 9; and,

FIG. 15 is a bottom plan view of the leash cuff for water sports board leash of FIG. 9.

(Continued)



The broken lines shown in FIG. 8. extending away from the leash cuff for water sports board leash illustrate environmental structure. All other broken lines, illustrate portions of the leash cuff for water sports board leash. The broken lines form no part of the claimed design.

Examples of a water sport board are a surfboard, a bogie board, and a stand up paddle board.

1 Claim, 9 Drawing Sheets

(58) **Field of Classification Search**

CPC A63B 69/0093; A61B 17/1325; B63B 2035/794

See application file for complete search history.

(56) **References Cited**

U.S. PATENT DOCUMENTS

1,688,880	A	10/1928	Pope	
1,870,052	A	8/1932	Jones	
1,962,285	A	6/1934	Robinson	
2,017,948	A	10/1935	Chenery	
2,113,534	A	4/1938	Brown	
2,339,239	A	1/1944	Carmichael	
2,363,138	A	11/1944	Moore	
2,756,753	A	7/1956	Means	
2,812,123	A	11/1957	Girton	
3,774,926	A *	11/1973	Chase	B62B 19/02 280/13
3,802,011	A	4/1974	Castagnola	
3,931,656	A	1/1976	Thomson	
4,041,562	A	8/1977	Mealy	
4,044,415	A	8/1977	Wood	
4,234,990	A	11/1980	Colburn	
D279,023	S *	5/1985	Wessels	D21/774
4,637,394	A	1/1987	Racz	
4,813,080	A	3/1989	Toso	
D303,278	S *	9/1989	Nealy	D21/774
4,938,040	A *	7/1990	Humphreys, Jr.	E05B 73/0005 70/14
5,098,324	A	3/1992	Isono	
5,194,026	A	3/1993	Corwin	
5,295,996	A	3/1994	Blair	
D362,068	S *	9/1995	Baker	D24/169
D381,427	S *	7/1997	Marrero	D24/169
D399,000	S *	9/1998	Rothman	D24/167
5,904,056	A	5/1999	Ozaki	
5,938,492	A *	8/1999	Carlini	B63B 35/7936 441/75
6,245,024	B1	6/2001	Montagnino	
D453,366	S *	2/2002	French	D21/774
D456,474	S *	4/2002	Edwards	D21/771
D462,406	S *	9/2002	Kessler	D21/769
6,471,560	B2 *	10/2002	Kerckhoff	B63B 35/7933 441/75
6,833,001	B1 *	12/2004	Chao	A61B 17/1325 606/203
6,899,720	B1	5/2005	McMillan	
6,960,223	B1	11/2005	Ambach	

7,947,061	B1 *	5/2011	Reis	A61B 17/1322 606/203
8,348,970	B2	1/2013	Janota	
D677,354	S *	3/2013	Nolan	D21/774
8,652,164	B1	2/2014	Aston	
D705,429	S *	5/2014	Cheney	D24/169
D733,305	S *	6/2015	Miyashita	D24/169
D736,331	S *	8/2015	Martinson	D21/774
9,168,044	B2	10/2015	Kirkham	
D791,951	S *	7/2017	Henderson	D24/169
2003/0028215	A1	2/2003	Brooks	
2003/0139766	A1 *	7/2003	McEwen	A61B 17/135 606/203
2004/0173649	A1	9/2004	Luedtke	
2005/0049630	A1	3/2005	Ambach	
2005/0113866	A1	5/2005	Heinz et al.	
2005/0125025	A1 *	6/2005	Rioux	A61B 17/0057 606/201
2005/0267518	A1	12/2005	Wright	
2007/0005107	A1	1/2007	Janota et al.	
2008/0188788	A1 *	8/2008	Serola	A61B 17/1325 602/75
2010/0049241	A1	2/2010	Persson	
2010/0057120	A1	3/2010	Kirkham	
2010/0160957	A1	6/2010	Kirkham	
2011/0072545	A1	3/2011	Bennett	
2011/0171861	A1	7/2011	Roland	
2011/0270299	A1	11/2011	Rose	
2011/0271494	A1	11/2011	Bellamy et al.	
2011/0295309	A1	12/2011	Sullivan	
2011/0312233	A1 *	12/2011	Starck, Jr.	B65H 75/425 441/75
2012/0215254	A1	8/2012	Brub	
2012/0310273	A1	12/2012	Thorpe	
2013/0110019	A1 *	5/2013	Hopman	A61B 17/135 602/13
2014/0315455	A1 *	10/2014	Simon Hanska	B63B 35/7933 441/75
2015/0209052	A1 *	7/2015	Hopman	A61B 17/1325 606/203
2015/0257767	A1 *	9/2015	Henderson	A61B 17/1325 606/203

OTHER PUBLICATIONS

International Search Report of International Search Authority / US, dated May 22, 2015 on International Patent application PCT/US14168675, filed Dec. 5, 2014 in the name of Carson Thomas Henderson.

International Search Report of International Search Authority / US, dated Aug. 21, 2015 on International Patent Application PCT/US2015/033445, filed May 31, 2015 in the name of Carson Thomas Henderson.

Swift-Strap LLC, Thor, webpage downloaded on Aug. 25, 2016 from the Internet address <http://www.thortq.com/>, Swift-Strap llc, USA.

The Written Opinion of International Search Authority / US, dated Aug. 21, 2015 on International Patent Application PCT/US2015/033445, filed May 31, 2015 in the name of Carson Thomas Henderson.

* cited by examiner

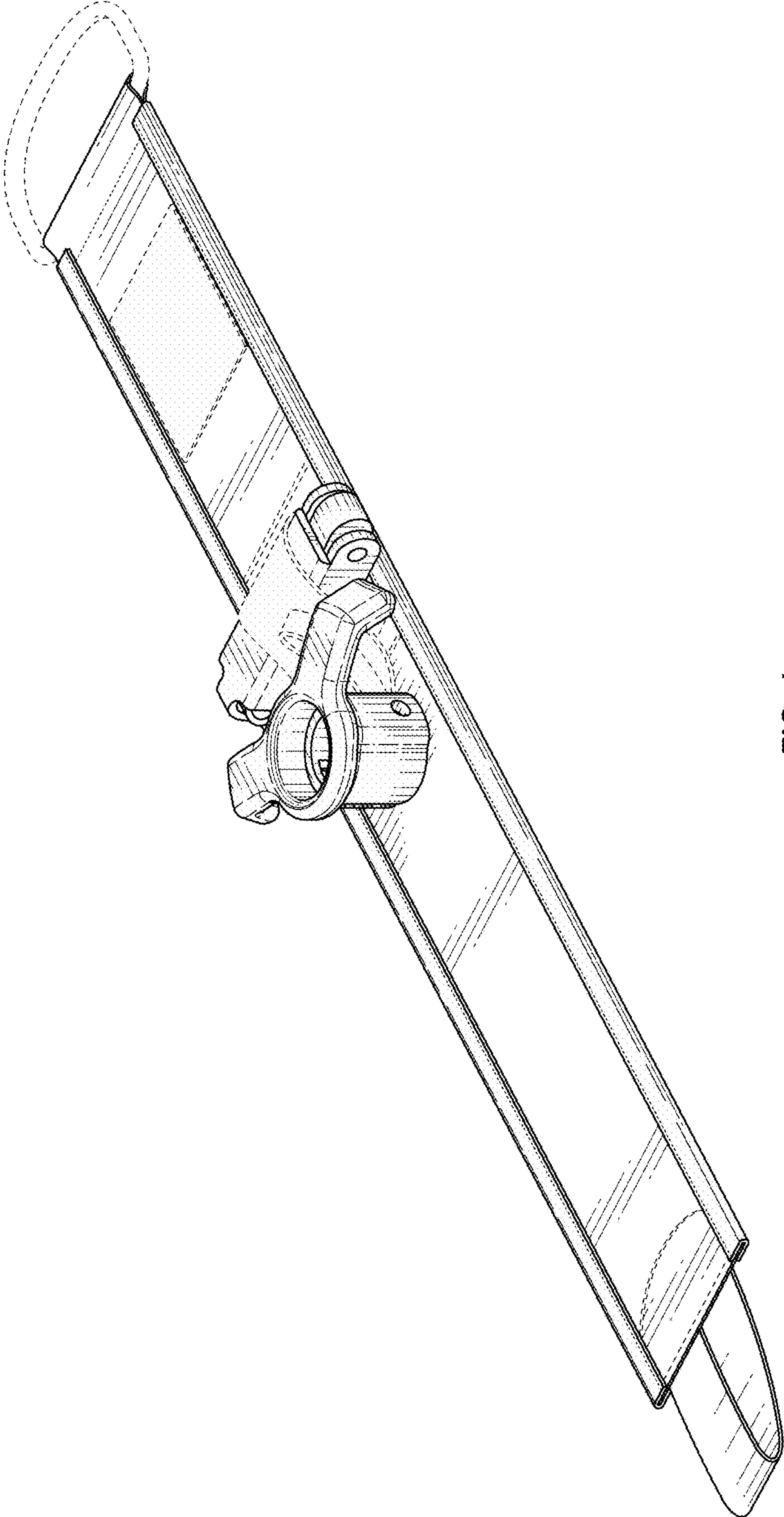


FIG. 1

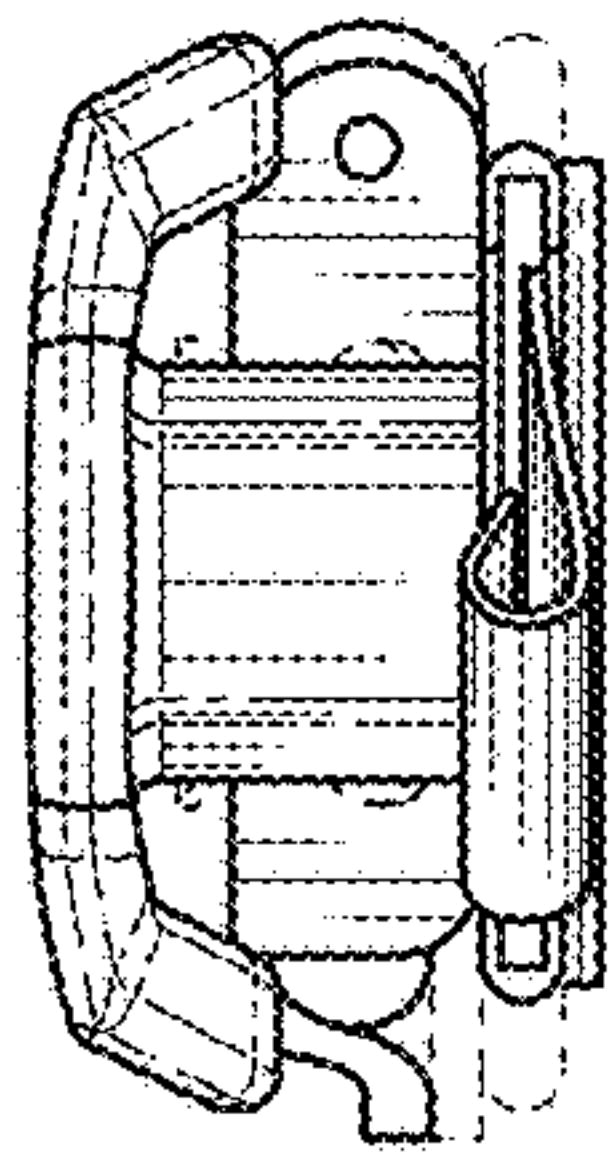


FIG. 2

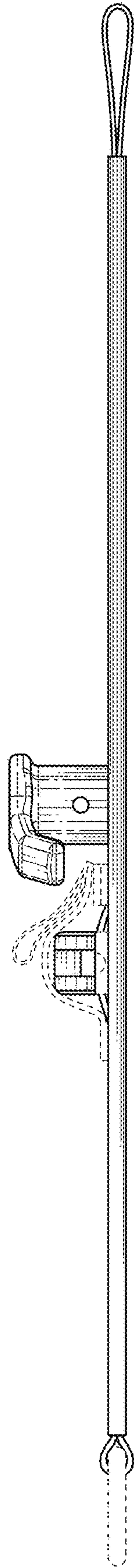


FIG. 3

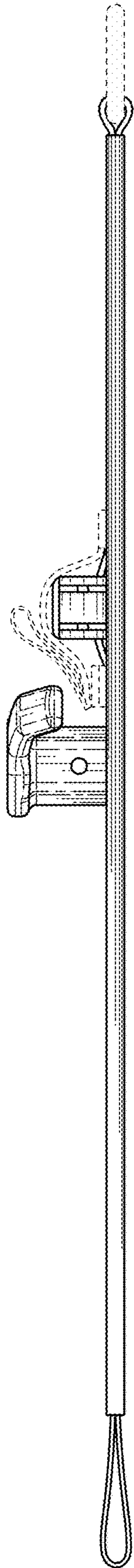


FIG. 4

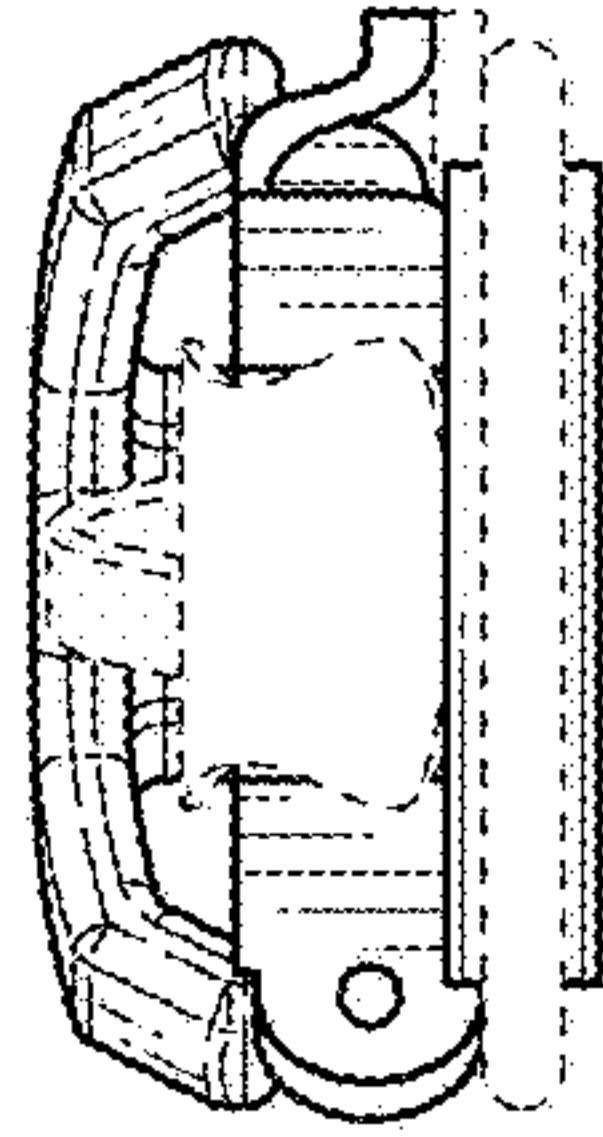


FIG. 5

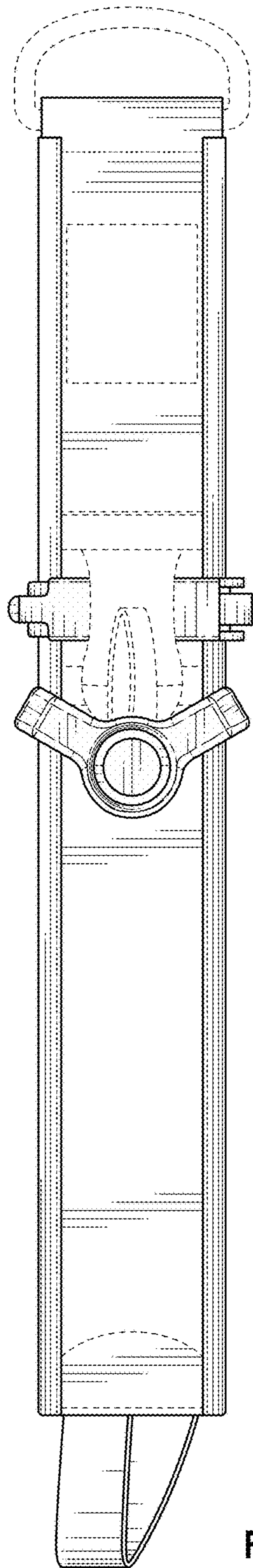


FIG. 6

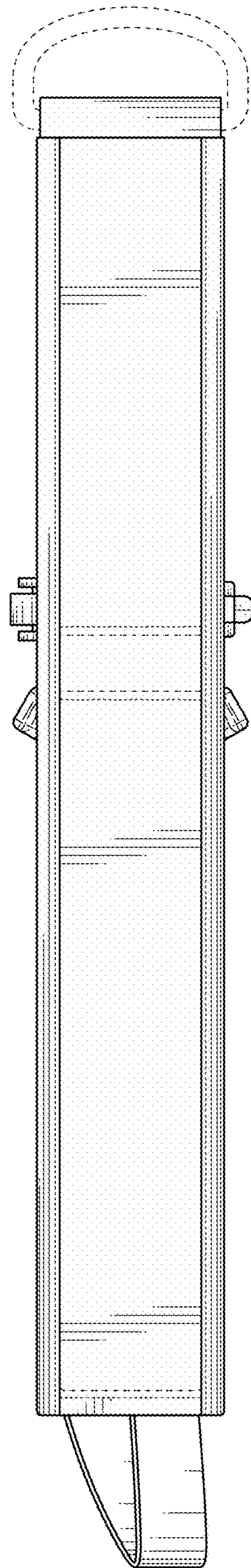


FIG. 7

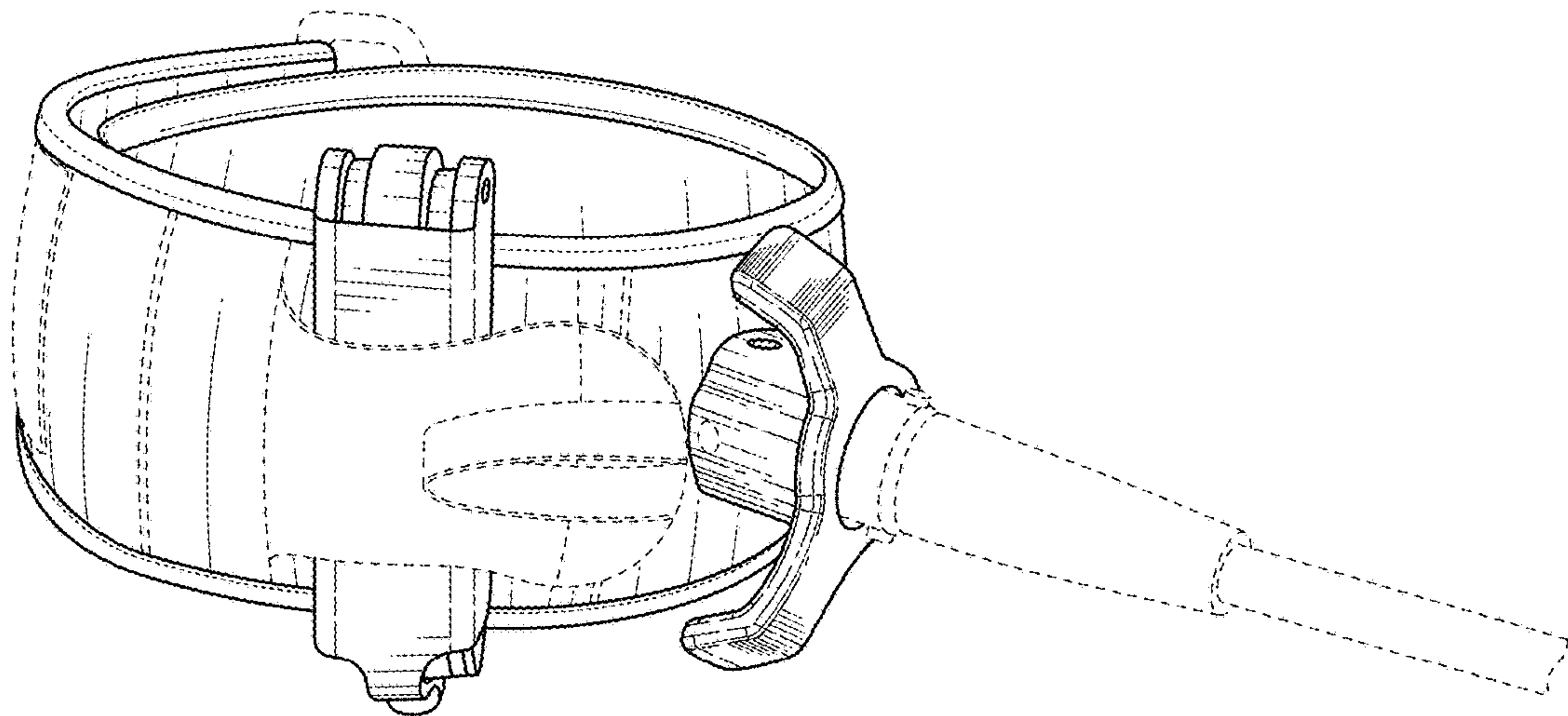


FIG. 8

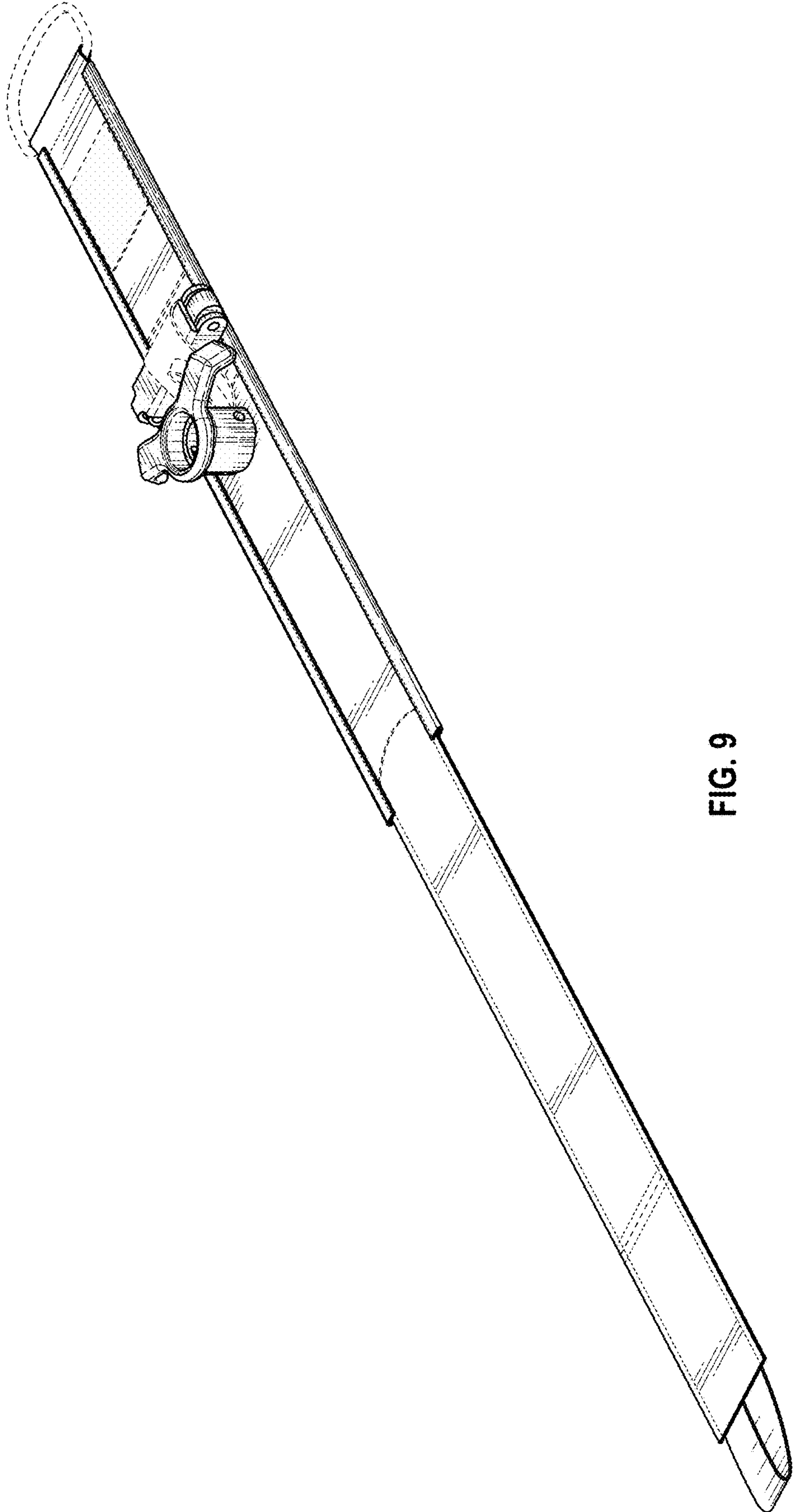


FIG. 9

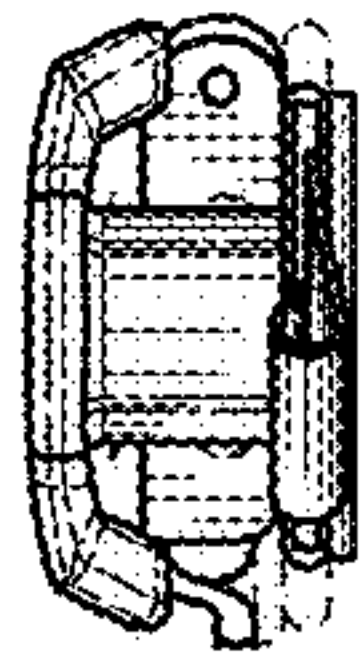


FIG. 10

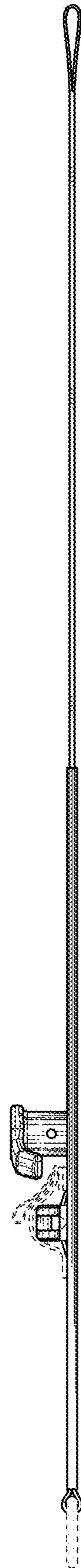


FIG. 11

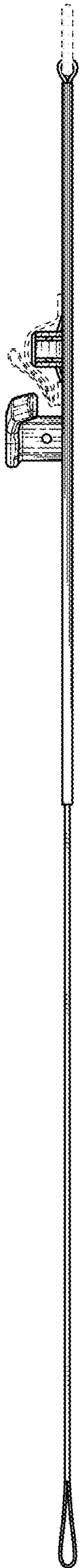


FIG. 12

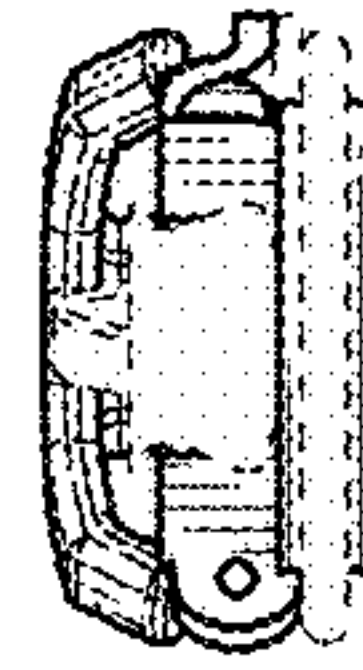


FIG. 13

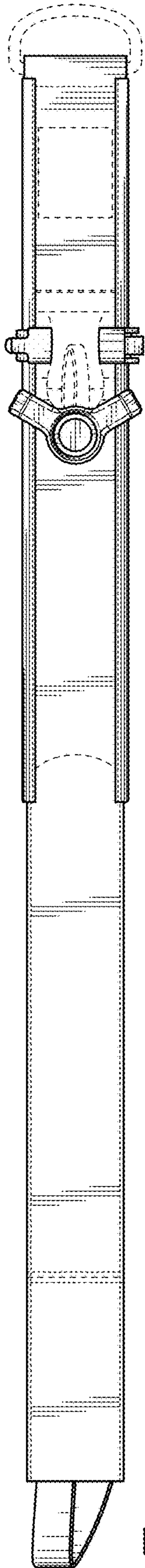


FIG. 14

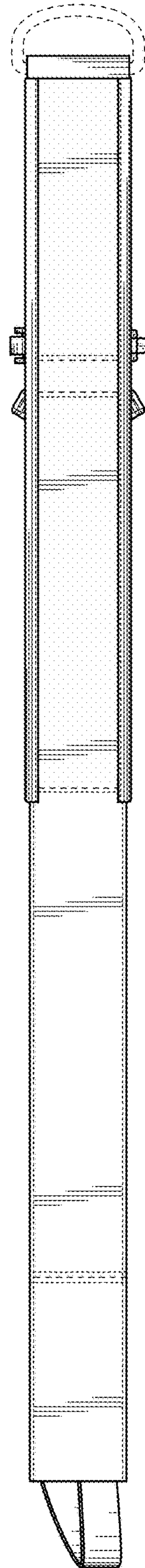


FIG. 15