



US00D812169S

(12) **United States Design Patent** (10) **Patent No.:** **US D812,169 S**  
**Kim** (45) **Date of Patent:** **\*\* Mar. 6, 2018**

(54) **GOLF CLUB HEAD**  
(71) Applicant: **CALLAWAY GOLF COMPANY,**  
Carlsbad, CA (US)  
(72) Inventor: **Wee Joung Kim,** Vista, CA (US)  
(73) Assignee: **Callaway Golf Company,** Carlsbad,  
CA (US)  
(\*\*) Term: **15 Years**  
(21) Appl. No.: **29/585,122**

D487,127 S \* 2/2004 Madore ..... D21/747  
8,657,700 B2 \* 2/2014 Nicolette ..... A63B 53/047  
473/290  
D708,282 S \* 7/2014 Oldknow ..... D21/759  
D709,576 S \* 7/2014 Oldknow ..... D21/759  
D709,974 S \* 7/2014 Oldknow ..... D21/759  
D710,961 S \* 8/2014 Foster ..... D21/759  
D720,416 S \* 12/2014 Delvac ..... D21/759  
D725,732 S \* 3/2015 Westrum ..... D21/759  
D736,872 S \* 8/2015 Llewellyn ..... D21/759  
D736,875 S \* 8/2015 Llewellyn ..... D21/759  
D763,986 S \* 8/2016 Cardani ..... D21/759  
D788,238 S \* 5/2017 Foster ..... D21/759  
2012/0289360 A1 \* 11/2012 Breier ..... A63B 53/047  
473/335

(22) Filed: **Nov. 21, 2016**  
(51) **LOC (11) Cl.** ..... **21-02**  
(52) **U.S. Cl.**  
USPC ..... **D21/759**  
(58) **Field of Classification Search**  
USPC ..... D21/747-751, 759  
CPC ..... A63B 53/00; A63B 53/04; A63B 53/047;  
A63B 53/0475; A63B 2053/0479; A63B  
2053/0483; A63B 2053/0445  
See application file for complete search history.

\* cited by examiner

*Primary Examiner* — Mitchell I. Siegel  
(74) *Attorney, Agent, or Firm* — Rebecca Hanovice;  
Michael Catania; Sonia Lari

(57) **CLAIM**

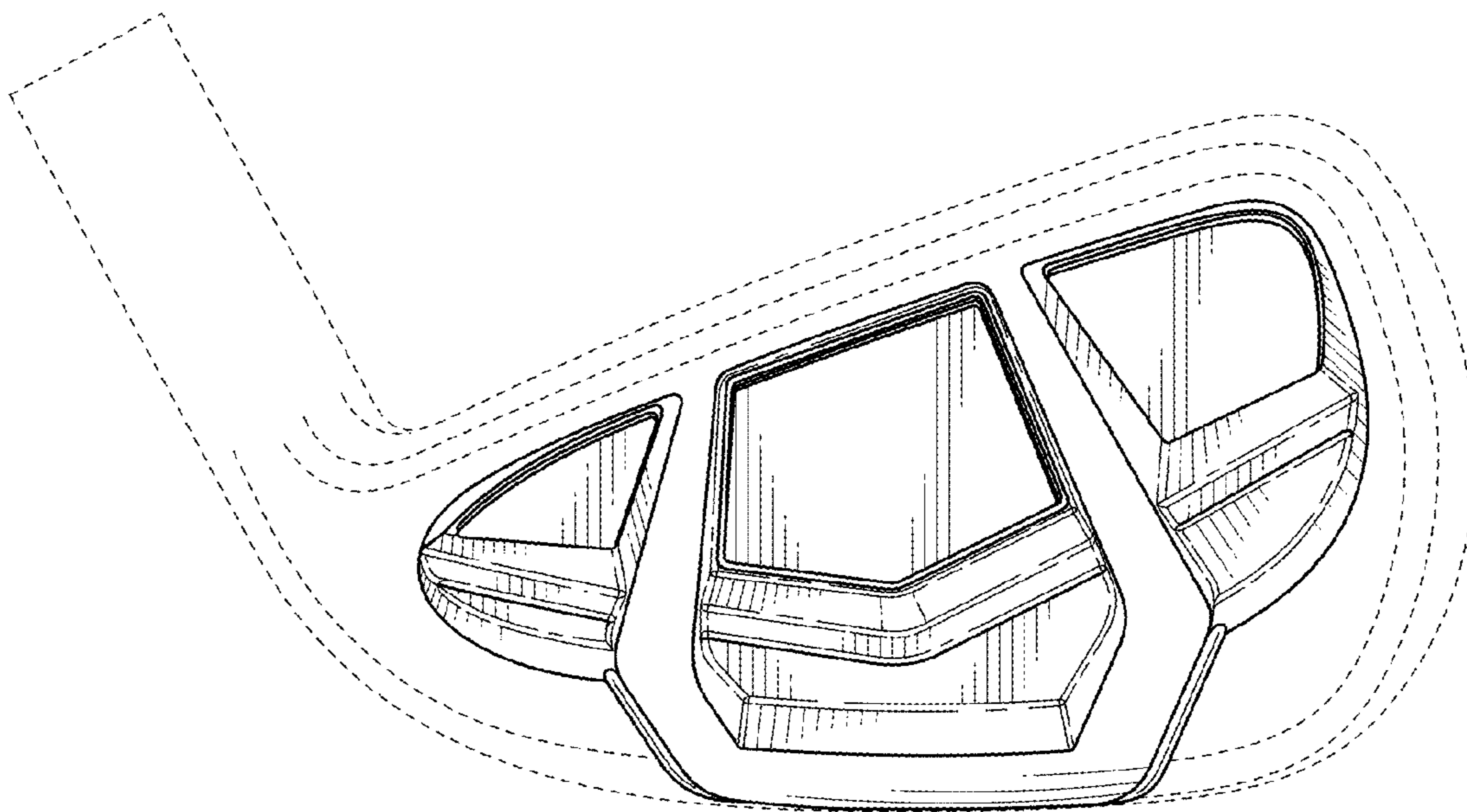
The ornamental design for a golf club head, as shown and described.

**DESCRIPTION**

FIG. 1 is a rear perspective view of the golf club head as claimed herein;  
FIG. 2 is a front elevational view thereof;  
FIG. 3 is a rear elevational view thereof;  
FIG. 4 is a left side elevational view thereof;  
FIG. 5 is a right side elevational view thereof;  
FIG. 6 is a top plan view thereof; and,  
FIG. 7 is a bottom plan view thereof.  
The broken lines are included for the purpose of illustration and form no part of the claimed design.

(56) **References Cited**  
U.S. PATENT DOCUMENTS  
D313,829 S \* 1/1991 Antonious ..... D21/749  
D315,587 S \* 3/1991 Antonious ..... D21/749  
D315,588 S \* 3/1991 Antonious ..... D21/749  
D315,589 S \* 3/1991 Antonious ..... D21/749  
D315,590 S \* 3/1991 Antonious ..... D21/749  
D315,767 S \* 3/1991 Antonious ..... D21/749  
D315,768 S \* 3/1991 Antonious ..... D21/749  
D315,769 S \* 3/1991 Antonious ..... D21/749  
D315,939 S \* 4/1991 Antonious ..... D21/749  
D319,091 S \* 8/1991 Antonious ..... D21/749  
D475,107 S \* 5/2003 Madore ..... D21/759

**1 Claim, 4 Drawing Sheets**



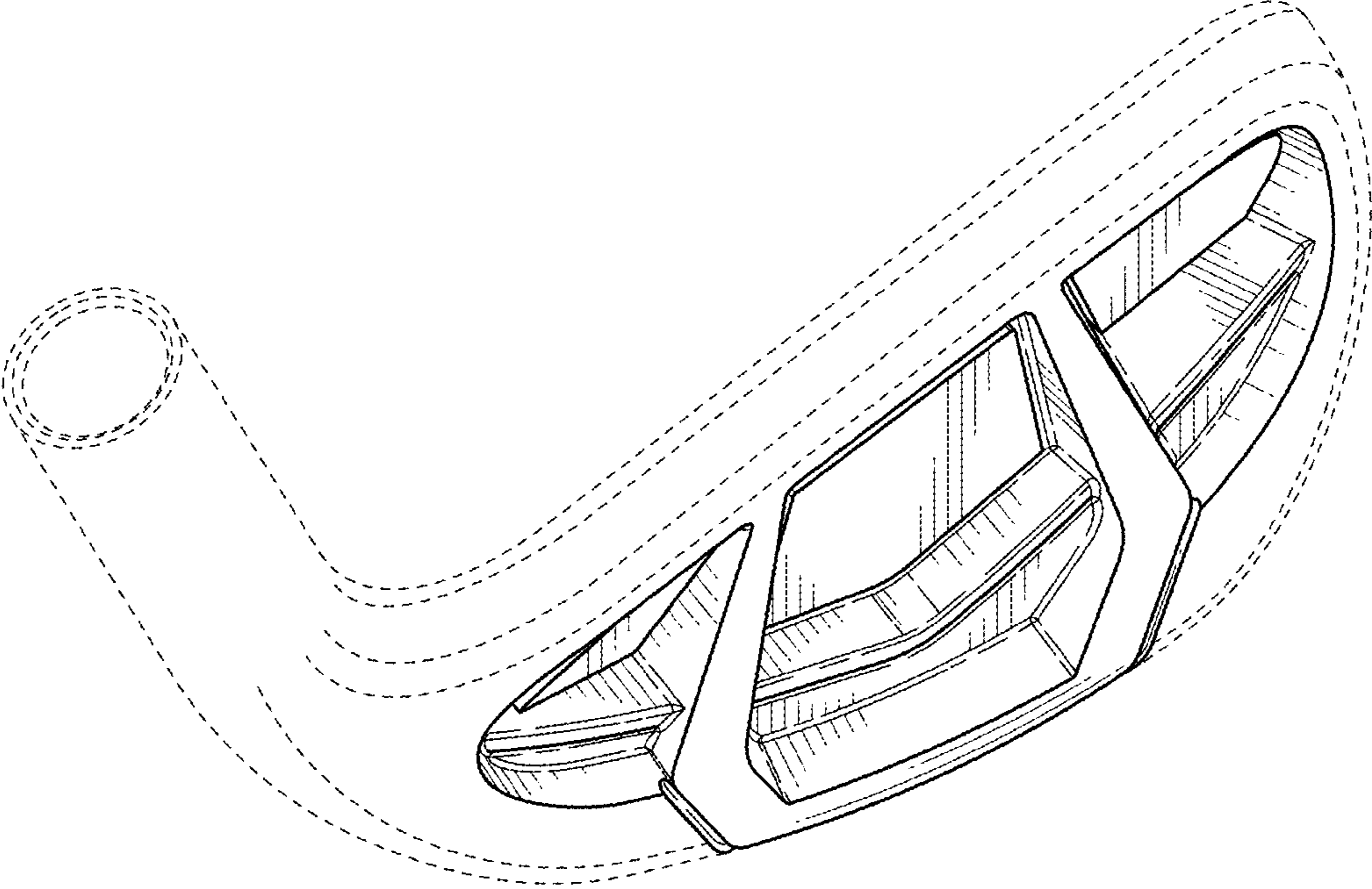


FIG. 1

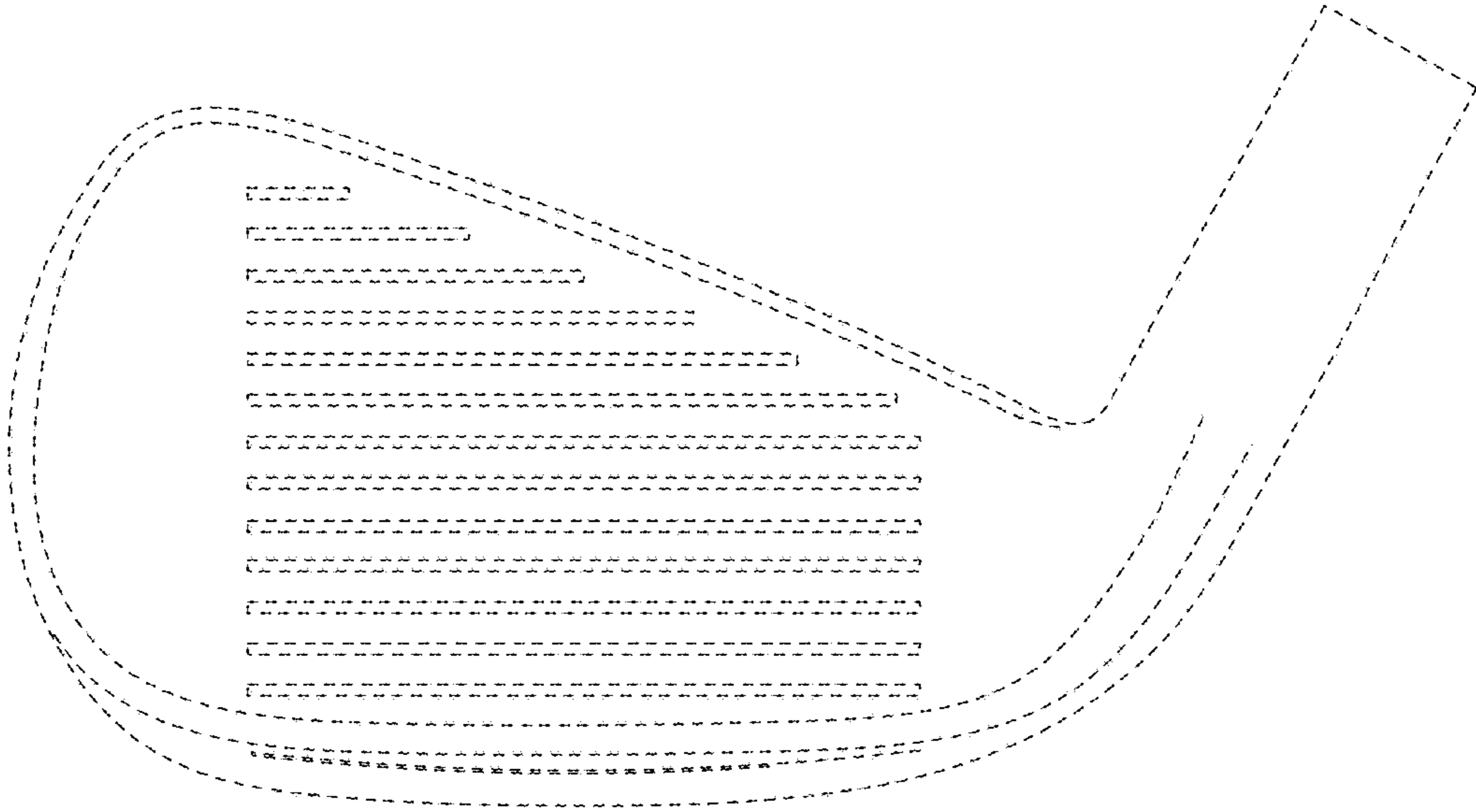


FIG. 2

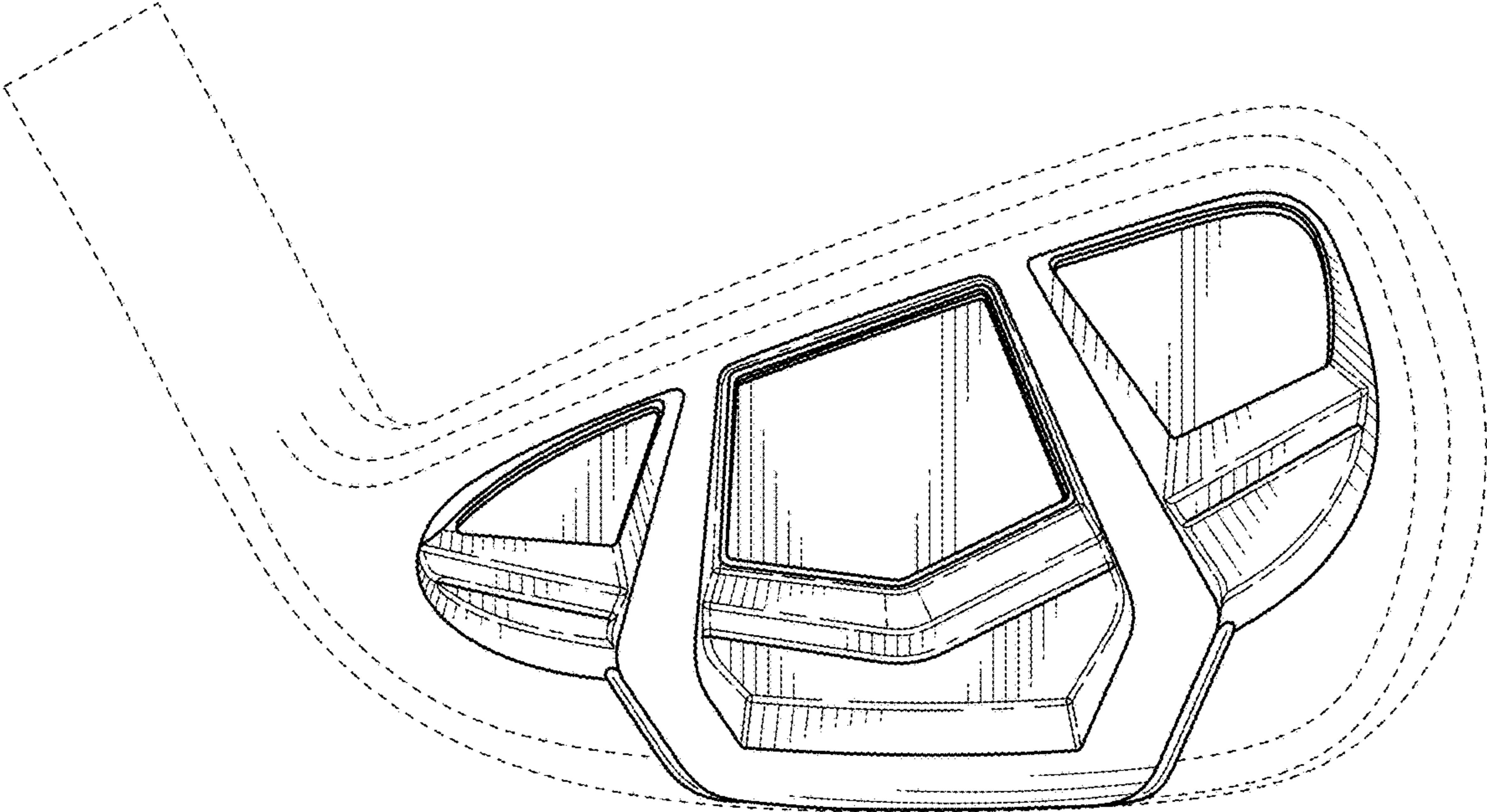


FIG. 3

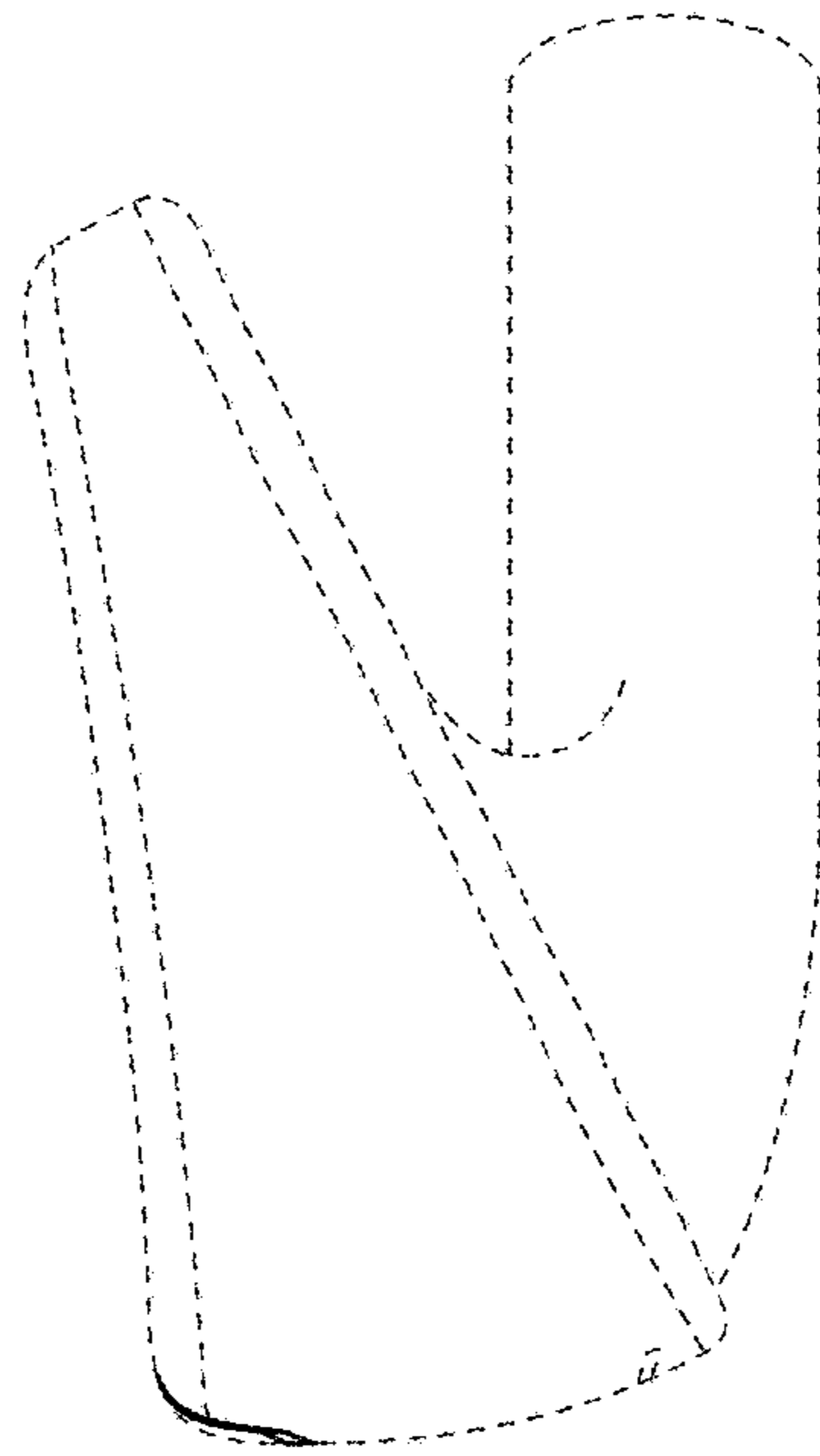


FIG. 4

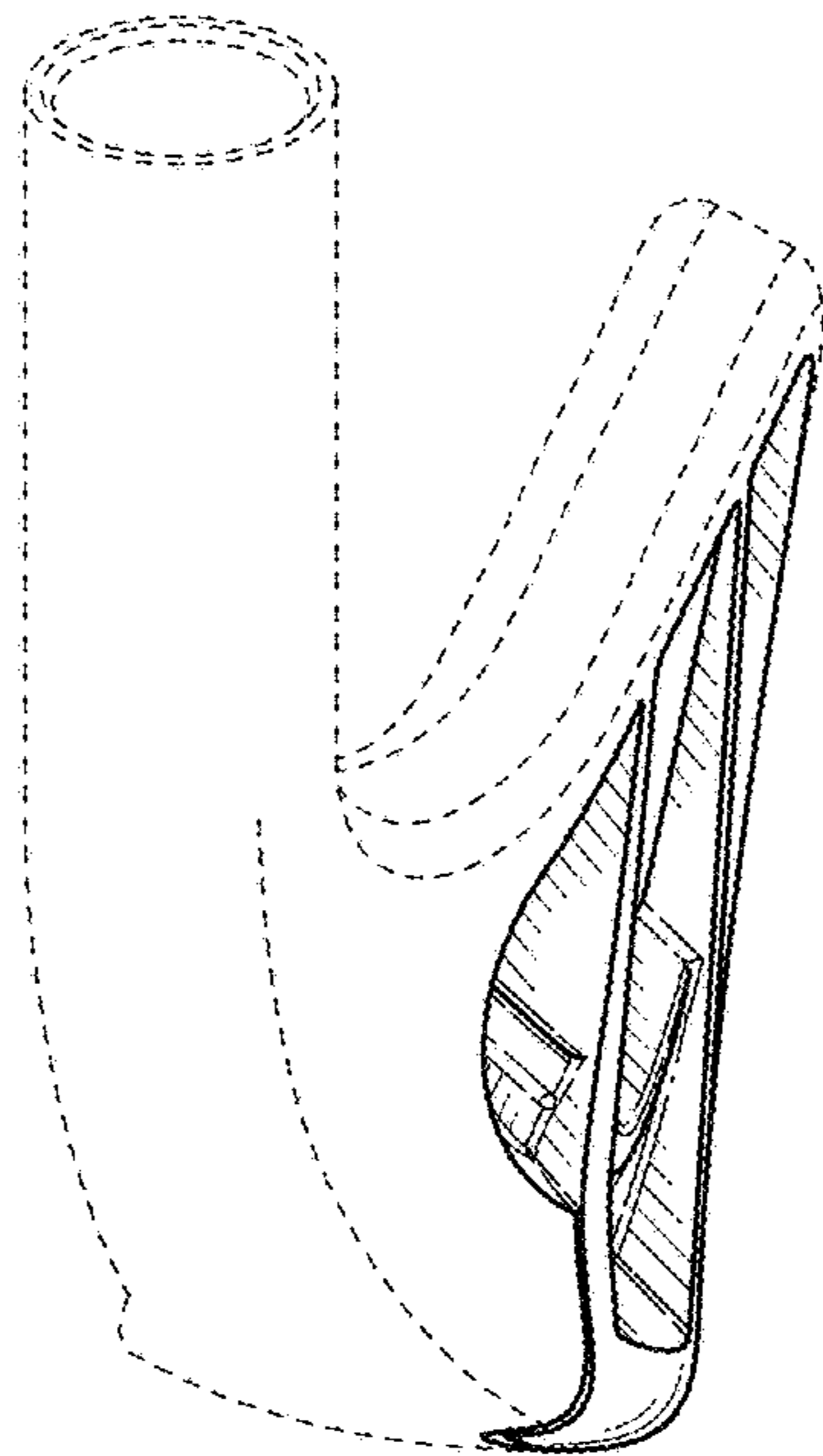


FIG. 5

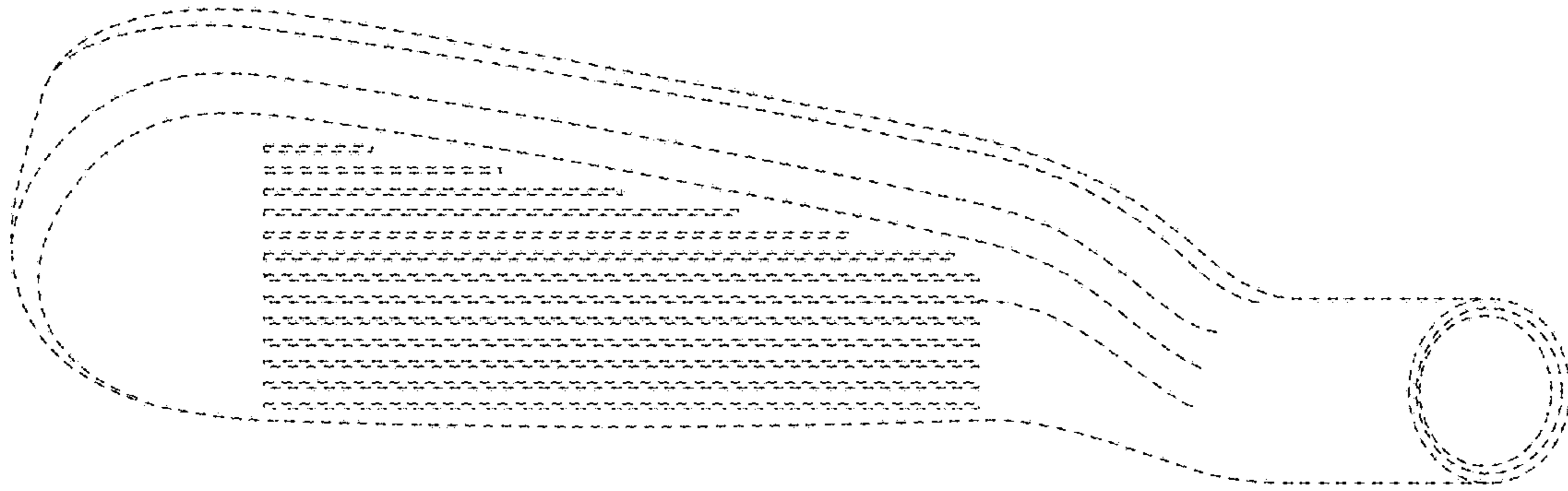


FIG. 6

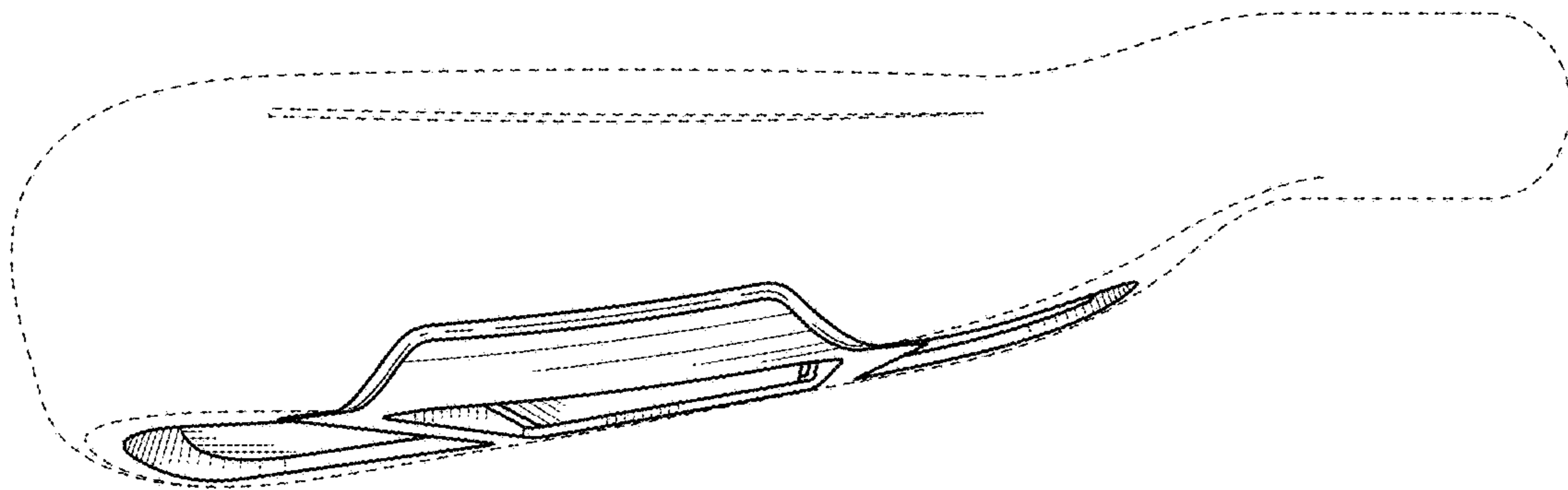


FIG. 7