



US00D812167S

(12) **United States Design Patent** (10) **Patent No.:** **US D812,167 S**
Ivanova (45) **Date of Patent:** **** Mar. 6, 2018**

(54) **GOLF CLUB FACE**
(71) Applicant: **CALLAWAY GOLF COMPANY**,
Carlsbad, CA (US)
(72) Inventor: **Irina Ivanova**, San Marcos, CA (US)
(73) Assignee: **Callaway Golf Company**, Carlsbad,
CA (US)
(**) Term: **15 Years**
(21) Appl. No.: **29/568,332**
(22) Filed: **Jun. 16, 2016**
(51) **LOC (11) Cl.** **21-02**
(52) **U.S. Cl.**
USPC **D21/759**
(58) **Field of Classification Search**
USPC D21/747-751, 759
CPC A63B 53/00; A63B 53/04; A63B 53/047;
A63B 53/0475; A63B 2053/0479; A63B
2053/0483; A63B 2053/0445; A63B
2053/0458
See application file for complete search history.

D607,071 S * 12/2009 Wada D21/759
D612,438 S * 3/2010 Carlyle D21/759
D612,439 S * 3/2010 Carlyle D21/759
D617,406 S * 6/2010 Carlyle D21/759
D633,967 S * 3/2011 Carlyle D21/759
D634,804 S * 3/2011 Beaulieu D21/759
D643,490 S * 8/2011 Wada D21/759
D707,316 S * 6/2014 Aguayo D21/759
D707,317 S * 6/2014 Aguayo D21/759
D716,387 S * 10/2014 Aguayo D21/759
D716,388 S * 10/2014 Aguayo D21/759
D756,475 S * 5/2016 Ripp D21/759
D760,854 S * 7/2016 Ripp D21/759
D764,000 S * 8/2016 Gonczi D21/759
D786,379 S * 5/2017 Ivanova D21/759
2009/0247318 A1 * 10/2009 Ban A63B 53/047
473/331

* cited by examiner

Primary Examiner — Mitchell I. Siegel
(74) *Attorney, Agent, or Firm* — Rebecca Hanovice;
Michael Catania; Sonia Lari

(57) **CLAIM**

The ornamental design for a golf club face, as shown and described.

DESCRIPTION

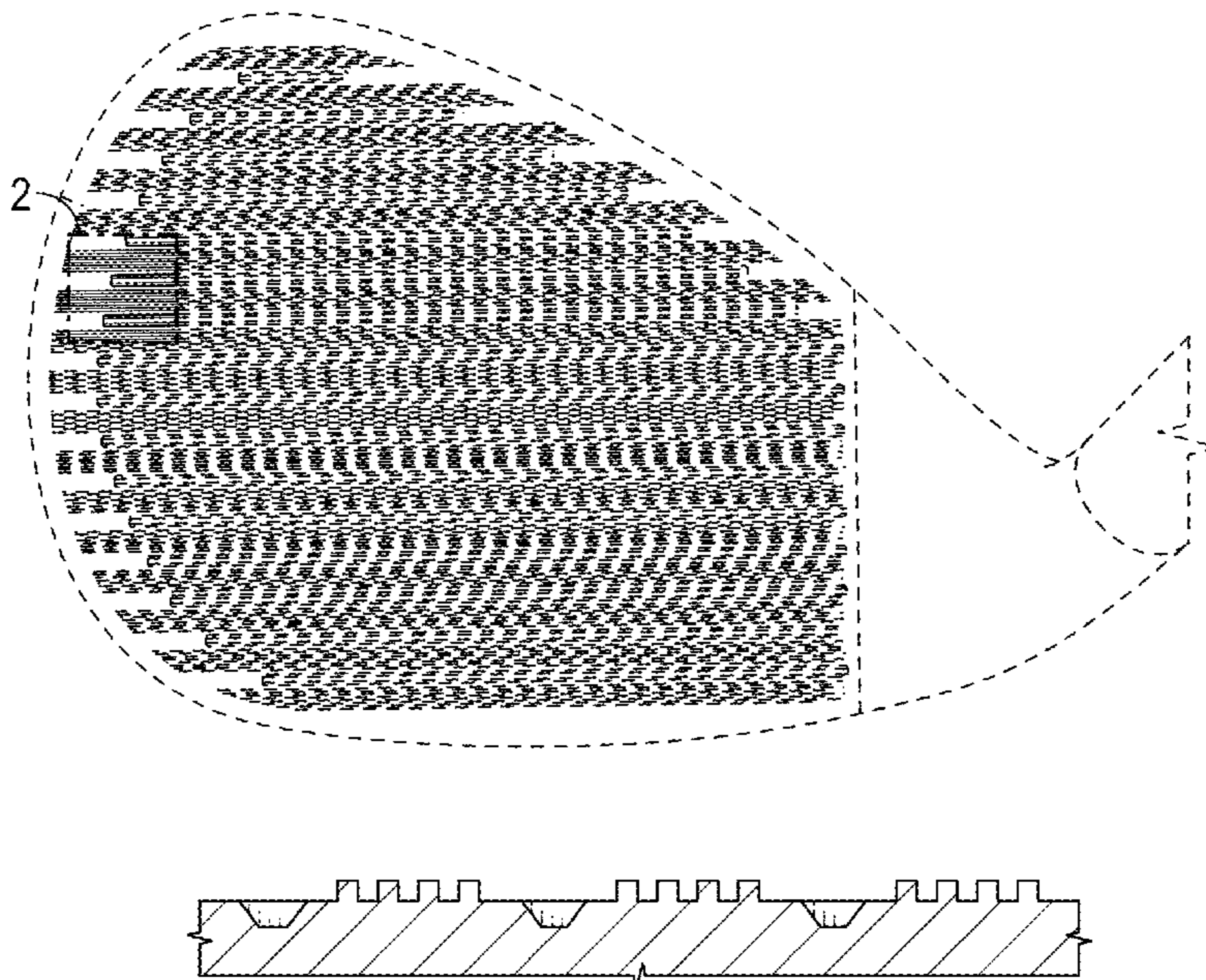
FIG. 1 is a front perspective view of a first embodiment of the golf club face as claimed herein;
FIG. 2 is an enlarged view of the encircled area in FIG. 1; and,
FIG. 3 is a cross sectional view of the embodiment shown in FIG. 2 along lines 3-3.
The broken lines are included for the purpose of illustration and form no part of the claimed design.

1 Claim, 2 Drawing Sheets

(56) **References Cited**

U.S. PATENT DOCUMENTS

D55,278 S * 5/1920 Kraeuter D21/750
D420,079 S * 2/2000 Frazetta D21/747
D422,329 S * 4/2000 Raymond D21/747
7,473,187 B2 * 1/2009 Vokey A63B 53/047
473/330
D588,221 S * 3/2009 Takahashi D21/759
D588,666 S * 3/2009 Takahashi D21/759
D596,687 S * 7/2009 Bezilla D21/759
D603,009 S * 10/2009 Bezilla D21/759



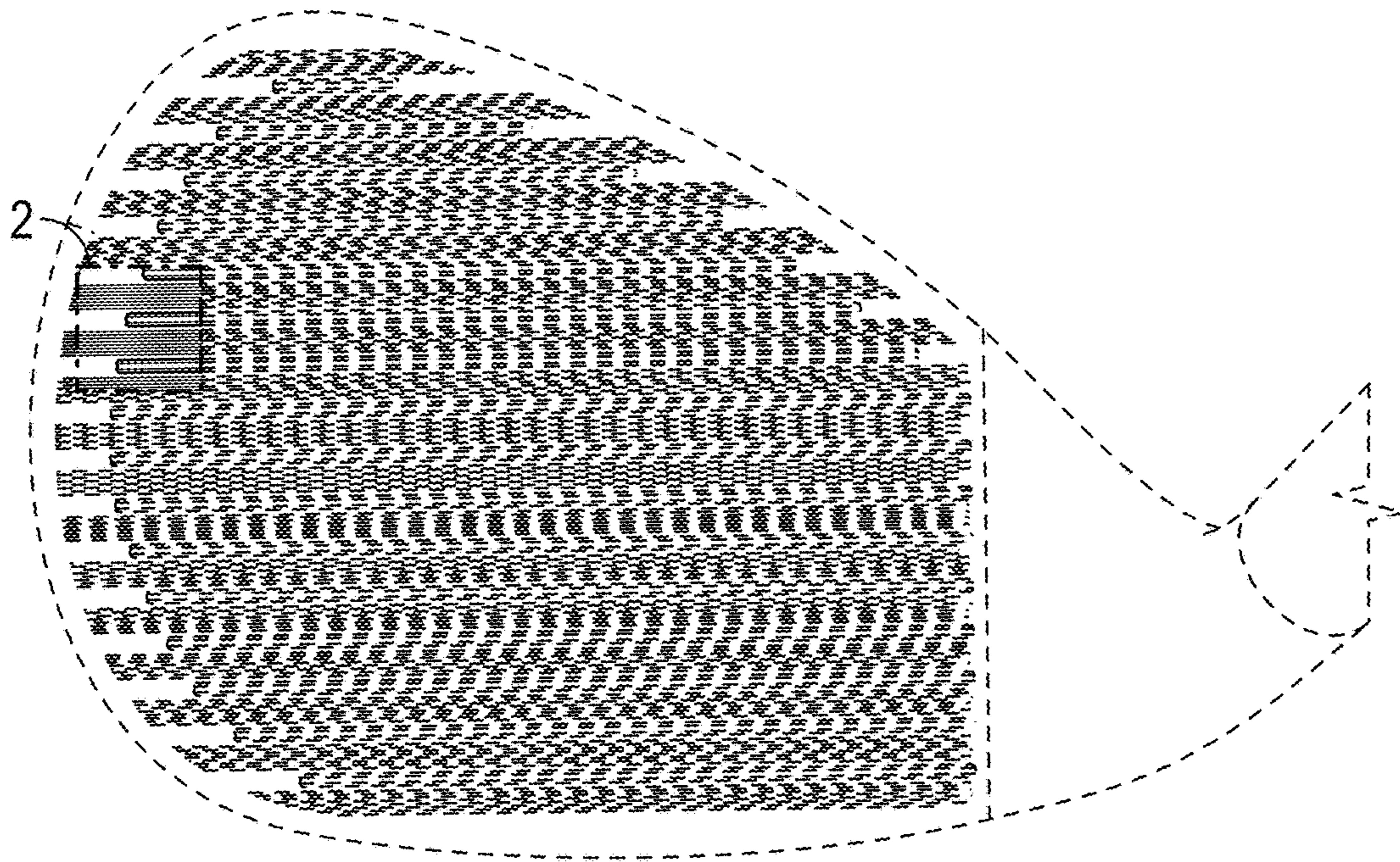


FIG. 1

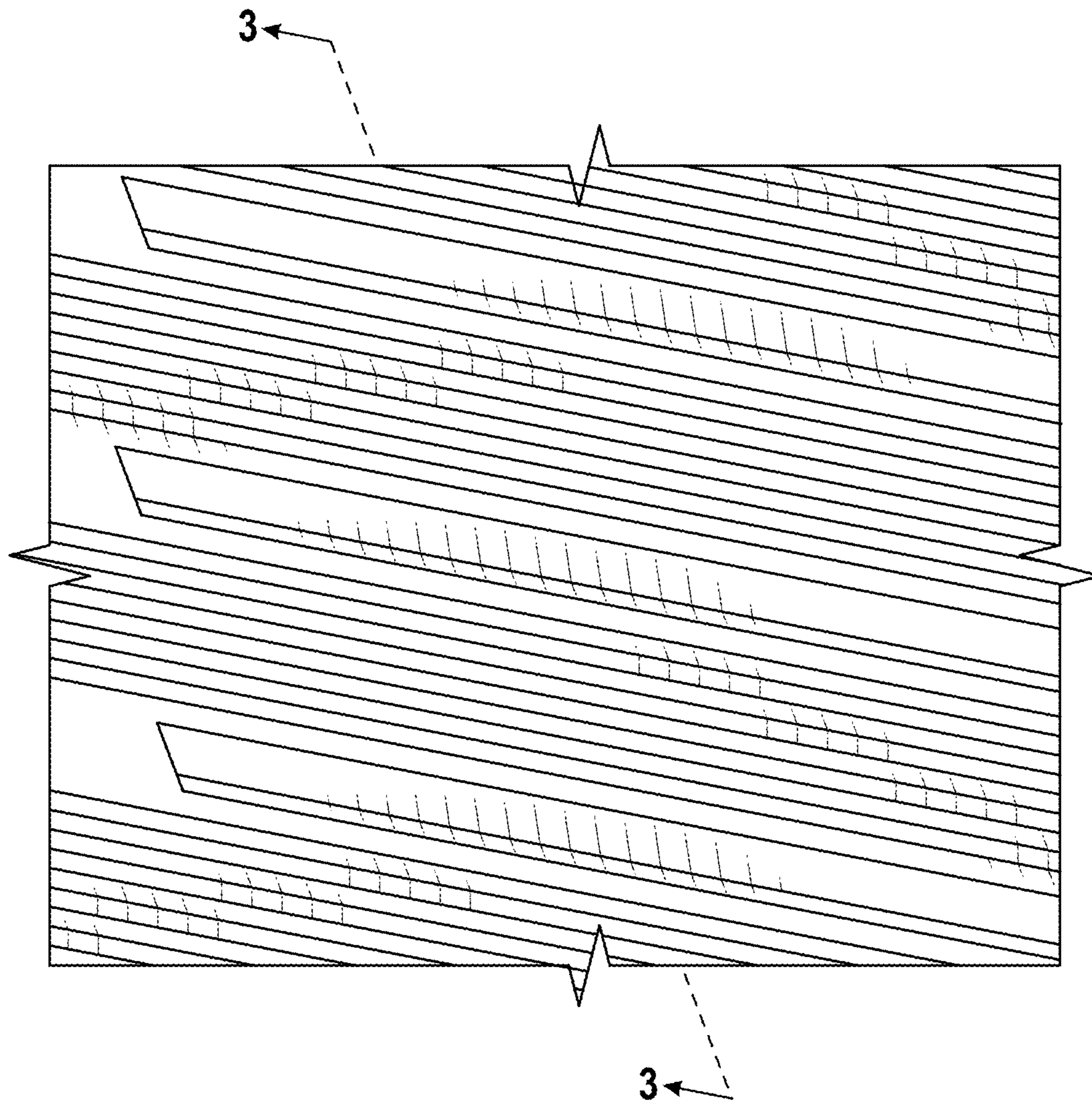


FIG. 2

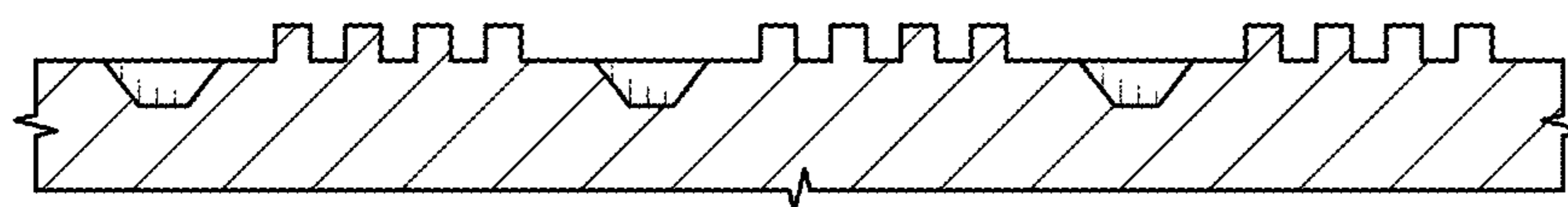


FIG. 3