



US00D812164S

(12) **United States Design Patent** (10) **Patent No.:** **US D812,164 S**
Parsons et al. (45) **Date of Patent:** **** Mar. 6, 2018**

(54) **GOLF CLUB HEAD**

(71) Applicant: **PARSONS XTREME GOLF, LLC**,
 Scottsdale, AZ (US)

(72) Inventors: **Robert R. Parsons**, Scottsdale, AZ
 (US); **Caleb S. Kroloff**, Scottsdale, AZ
 (US)

(73) Assignee: **PARSONS XTREME GOLF, LLC**,
 Scottsdale, AZ (US)

(**) Term: **15 Years**

(21) Appl. No.: **29/585,098**

(22) Filed: **Nov. 21, 2016**

Related U.S. Application Data

(63) Continuation-in-part of application No. 29/574,905,
 filed on Aug. 19, 2016.

(51) **LOC (11) Cl.** **21-02**

(52) **U.S. Cl.**
 USPC **D21/742**

(58) **Field of Classification Search**
 USPC D21/736-746, 759
 CPC A63B 53/00; A63B 53/04; A63B 53/007;
 A63B 53/065; A63B 53/0487; A63B
 60/00; A63B 60/46

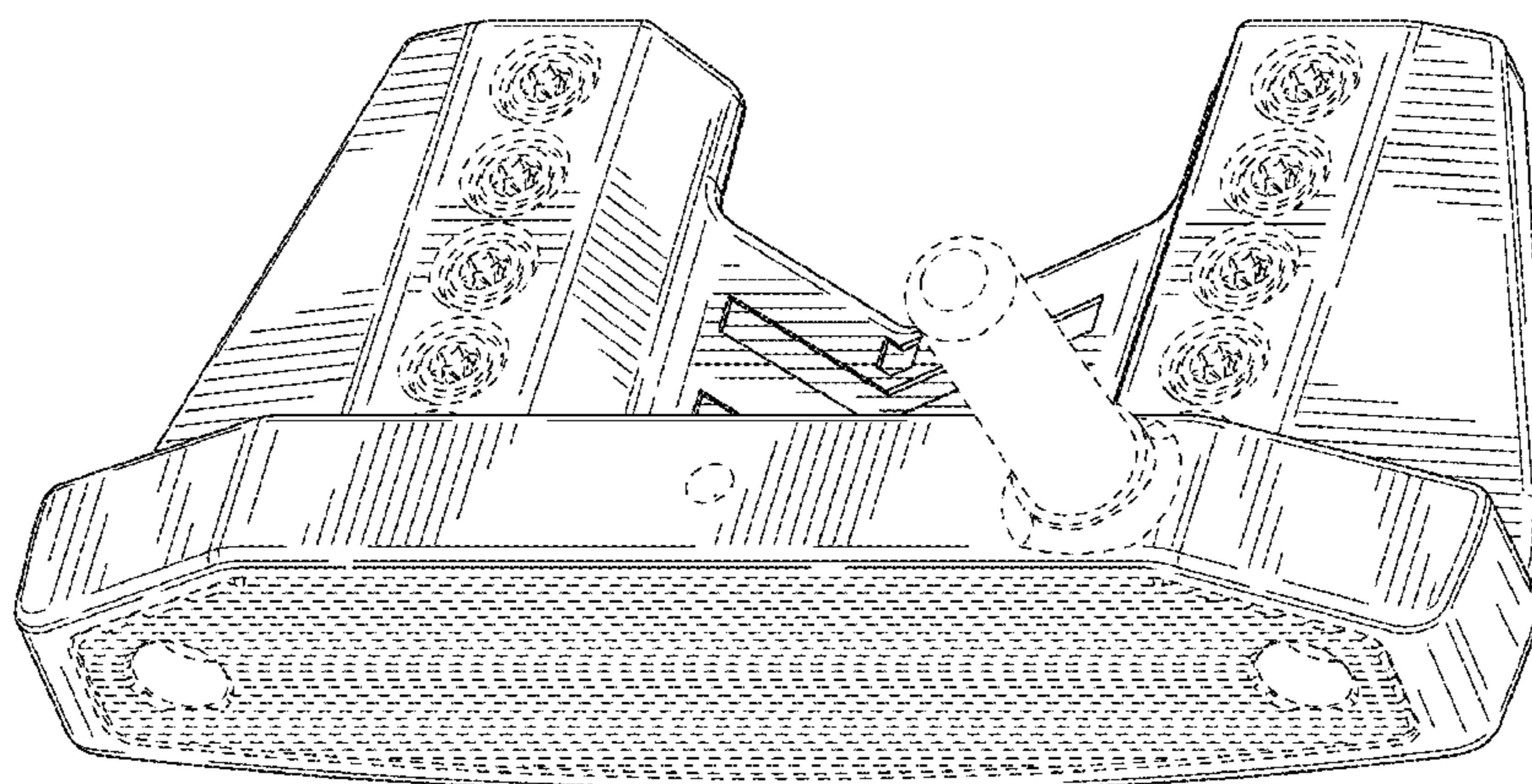
See application file for complete search history.

(56) **References Cited**

U.S. PATENT DOCUMENTS

D922,444 5/1909 Youds
 RE19,178 E 5/1934 Spiker
 4,043,562 A 8/1977 Shillington
 4,754,977 A 7/1988 Sahn
 4,869,507 A 9/1989 Sahn
 D335,317 S 5/1993 Shearer
 D335,692 S 5/1993 Antonious
 D336,757 S 6/1993 Antonious
 D350,582 S 9/1994 Miansian et al.
 5,429,366 A 7/1995 McCabe
 D363,101 S 10/1995 Sturm

D365,864 S 1/1996 Sturm
 5,489,097 A 2/1996 Simmons
 D368,751 S 4/1996 Rife
 D369,393 S 4/1996 Takahashi et al.
 5,571,053 A 11/1996 Lane
 D378,688 S 4/1997 Cameron
 D385,609 S 10/1997 Cameron
 5,683,307 A 11/1997 Rife
 D388,143 S 12/1997 Huan-Chiang
 D389,207 S 1/1998 Cameron
 D398,685 S 9/1998 Masuda
 D399,290 S 10/1998 Sizemore, Jr.
 D399,911 S 10/1998 Nicolette et al.
 5,839,974 A 11/1998 McAllister
 D405,836 S 2/1999 Nicolette et al.
 D409,701 S 5/1999 Ashcraft et al.
 5,924,938 A 7/1999 Hines
 D422,655 S 4/2000 Hicks
 D426,276 S 6/2000 Besnard et al.
 D431,854 S 10/2000 Cameron
 D432,192 S 10/2000 Hicks
 D436,151 S 1/2001 Nicolette et al.
 D437,374 S 2/2001 Cameron
 D441,820 S 5/2001 Nicolette et al.
 D443,668 S 6/2001 Nicolette et al.
 D443,905 S 6/2001 Nicolette et al.
 D444,833 S 7/2001 Wells et al.
 6,264,571 B1 7/2001 Lekavich
 D449,664 S 10/2001 Beebe et al.
 D449,865 S 10/2001 Fife, Jr. et al.
 D450,799 S 11/2001 Nicolette et al.
 D451,973 S 12/2001 Wells et al.
 6,348,014 B1 2/2002 Chiu
 6,354,959 B1 3/2002 Nicolette et al.
 6,394,910 B1 5/2002 McCarthy
 D472,949 S 4/2003 Serrano
 D474,821 S 5/2003 Wells et al.
 D474,949 S 5/2003 Schaffeld et al.
 D483,086 S 12/2003 Schweigert et al.
 D486,872 S 2/2004 Schweigert et al.
 D488,200 S 4/2004 Olsaysky
 D498,276 S 11/2004 Schweigert et al.
 6,902,496 B2 6/2005 Solheim et al.
 D512,116 S 11/2005 Mirafior et al.
 6,988,956 B2 1/2006 Cover et al.
 D520,088 S 5/2006 Parr
 D531,242 S 10/2006 Adams
 D532,067 S 11/2006 Soracco et al.
 D532,845 S * 11/2006 Rollinson D21/736
 7,153,220 B2 12/2006 Lo
 D534,595 S 1/2007 Hasebe
 7,156,752 B1 1/2007 Bennett
 D536,401 S 2/2007 Kawami



D536,403	S	2/2007	Kawami	
D538,371	S	3/2007	Kawami	
7,204,765	B2	4/2007	Cover et al.	
D542,869	S	5/2007	Adams	
D543,598	S	5/2007	Kuan et al.	
D543,601	S	5/2007	Kawami	
D555,219	S	11/2007	Lin	
D556,277	S	11/2007	Broom	
D561,854	S	2/2008	Morris	
7,331,876	B2	2/2008	Klein	
7,351,162	B2	4/2008	Soracco et al.	
D569,461	S	5/2008	Morris	
D569,930	S	5/2008	Nehrbas	
7,396,289	B2	7/2008	Soracco et al.	
D577,085	S	9/2008	Nicolette et al.	
D577,086	S	9/2008	Nicolette et al.	
D579,506	S	10/2008	Nicolette et al.	
D579,995	S	11/2008	Nicolette et al.	
D582,497	S *	12/2008	Rollinson	D21/744
7,473,189	B2	1/2009	Schweigert et al.	
7,491,131	B2	2/2009	Vinton	
D589,575	S *	3/2009	Kim	D21/744
D590,461	S *	4/2009	Kim	D21/743
D591,807	S *	5/2009	Rollinson	D21/744
D595,373	S *	6/2009	Kim	D21/744
D595,793	S	7/2009	Rollinson	
D599,425	S	9/2009	Laub	
D600,763	S	9/2009	Cameron	
7,744,485	B2	6/2010	Jones et al.	
D620,993	S	8/2010	Laub	
D621,461	S	8/2010	Serrano	
D623,709	S	9/2010	Serrano et al.	
D631,925	S	2/2011	Broom	
7,887,432	B2	2/2011	Jones et al.	
7,909,707	B2	3/2011	Klein	
7,918,745	B2	4/2011	Morris et al.	
D638,891	S	5/2011	Nicolette et al.	
D642,643	S	8/2011	Nicolette et al.	
D643,485	S	8/2011	Nicolette et al.	
D645,104	S	9/2011	Nicolette et al.	
8,096,039	B2	1/2012	Soracco et al.	
D653,718	S	2/2012	Stokke et al.	
D661,753	S	6/2012	Cameron et al.	
D666,260	S	8/2012	Cynn	
8,376,878	B2	2/2013	Bennett et al.	
D688,339	S	8/2013	Hilton et al.	
D688,341	S *	8/2013	Rollinson	D21/746
D691,226	S *	10/2013	Hilton	D21/746
D699,308	S	2/2014	Rollinson	
D704,782	S	5/2014	Rollinson	
8,721,472	B2	5/2014	Kuan et al.	
8,790,193	B2	7/2014	Serrano et al.	
D711,483	S	8/2014	Wong	
D715,388	S	10/2014	Serrano	
D722,350	S	2/2015	Schweigert	
D722,351	S *	2/2015	Parsons	D21/736
D722,352	S	2/2015	Nicolette et al.	
D723,120	S	2/2015	Nicolette	
D724,164	S	3/2015	Schweigert et al.	
D725,208	S	3/2015	Schweigert	
D726,265	S	4/2015	Nicolette	
D726,846	S	4/2015	Schweigert	
D730,462	S	5/2015	Becktor	
D731,605	S *	6/2015	Rollinson	D21/736
D732,122	S	6/2015	Becktor	
D732,618	S	6/2015	Becktor	
D733,234	S	6/2015	Nicolette	
D738,447	S	9/2015	Schweigert	
D738,449	S	9/2015	Schweigert	
D739,487	S	9/2015	Schweigert	
D741,426	S	10/2015	Schweigert	
D748,213	S *	1/2016	Parsons	D21/742
D748,215	S *	1/2016	Parsons	D21/759
9,233,283	B2	1/2016	Schweigert	
D753,252	S	4/2016	Schweigert	
9,440,124	B2	9/2016	Parsons et al.	
D768,248	S *	10/2016	Rollinson	D21/744
D773,573	S *	12/2016	Abbott	D21/744
D776,771	S *	1/2017	Peterson	D21/744

D777,270	S *	1/2017	Rollinson	D21/744
D801,459	S *	10/2017	Rollinson	D21/746
2007/0142122	A1	6/2007	Bonneau	
2007/0207875	A1	9/2007	Kuan et al.	
2007/0238548	A1	10/2007	Johnson	
2008/0139333	A1	6/2008	Klein	
2008/0146372	A1	6/2008	John	
2008/0176672	A1	7/2008	Roach et al.	
2011/0165959	A1	7/2011	Klein	
2013/0165256	A1	6/2013	Stevenson	
2013/0210537	A1	8/2013	Ainscough et al.	

FOREIGN PATENT DOCUMENTS

JP 2005/160691 A 6/2005

OTHER PUBLICATIONS

U.S. Appl. No. 29/523,587, Schweigert, "Golf Club Head," filed Apr. 10, 2015.
 TourSpecGolf (Gold's Factory Multi Weighted Custom Putter) [online]. Nov. 20, 2010 [retrieved Apr. 21, 2016]. Retrieved from the internet: <URL: <http://www.tourspecgolf.com/blog/golds-factory-multi-weighted-custom-putter/>>.

* cited by examiner

Primary Examiner — Mitchell I. Siegel

(57) CLAIM

The ornamental design for a golf club head, as shown and described.

DESCRIPTION

FIG. 1 is a top perspective view of a golf club head;
 FIG. 2 is a bottom perspective view of the golf club head of FIG. 1;
 FIG. 3 is a front elevational view of the golf club head of FIG. 1;
 FIG. 4 is a rear elevational view of the golf club head of FIG. 1;
 FIG. 5 is a top view of the golf club head of FIG. 1;
 FIG. 6 is a bottom view of the golf club head of FIG. 1;
 FIG. 7 is a left side view of the golf club head of FIG. 1;
 FIG. 8 is a right side view of the golf club head of FIG. 1;
 FIG. 9 is a top perspective view of a second embodiment of a golf club head;
 FIG. 10 is a bottom perspective view of the golf club head of FIG. 9;
 FIG. 11 is a front elevational view of the golf club head of FIG. 9;
 FIG. 12 is a rear elevational view of the golf club head of FIG. 9;
 FIG. 13 is a top view of the golf club head of FIG. 9;
 FIG. 14 is a bottom view of the golf club head of FIG. 9;
 FIG. 15 is a left side view of the golf club head of FIG. 9;
 FIG. 16 is a right side view of the golf club head of FIG. 9;
 FIG. 17 is a top perspective view of a third embodiment of a golf club head;
 FIG. 18 is a bottom perspective view of the golf club head of FIG. 17;
 FIG. 19 is a front elevational view of the golf club head of FIG. 17;
 FIG. 20 is a rear elevational view of the golf club head of FIG. 17;
 FIG. 21 is a top view of the golf club head of FIG. 17;
 FIG. 22 is a bottom view of the golf club head of FIG. 17;

FIG. 23 is a left side view of the golf club head of FIG. 17;
FIG. 24 is a right side view of the golf club head of FIG. 17;
FIG. 25 is a top perspective view of a fourth embodiment of a golf club head;
FIG. 26 is a bottom perspective view of the golf club head of FIG. 25;
FIG. 27 is a front elevational view of the golf club head of FIG. 25;
FIG. 28 is a rear elevational view of the golf club head of FIG. 25;
FIG. 29 is a top view of the golf club head of FIG. 25;
FIG. 30 is a bottom view of the golf club head of FIG. 25;
FIG. 31 is a left side view of the golf club head of FIG. 25;
and,
FIG. 32 is a right side view of the golf club head of FIG. 25.
The broken lines are included for the purpose of illustration only. None of the broken lines forms part of the claim design.

1 Claim, 28 Drawing Sheets

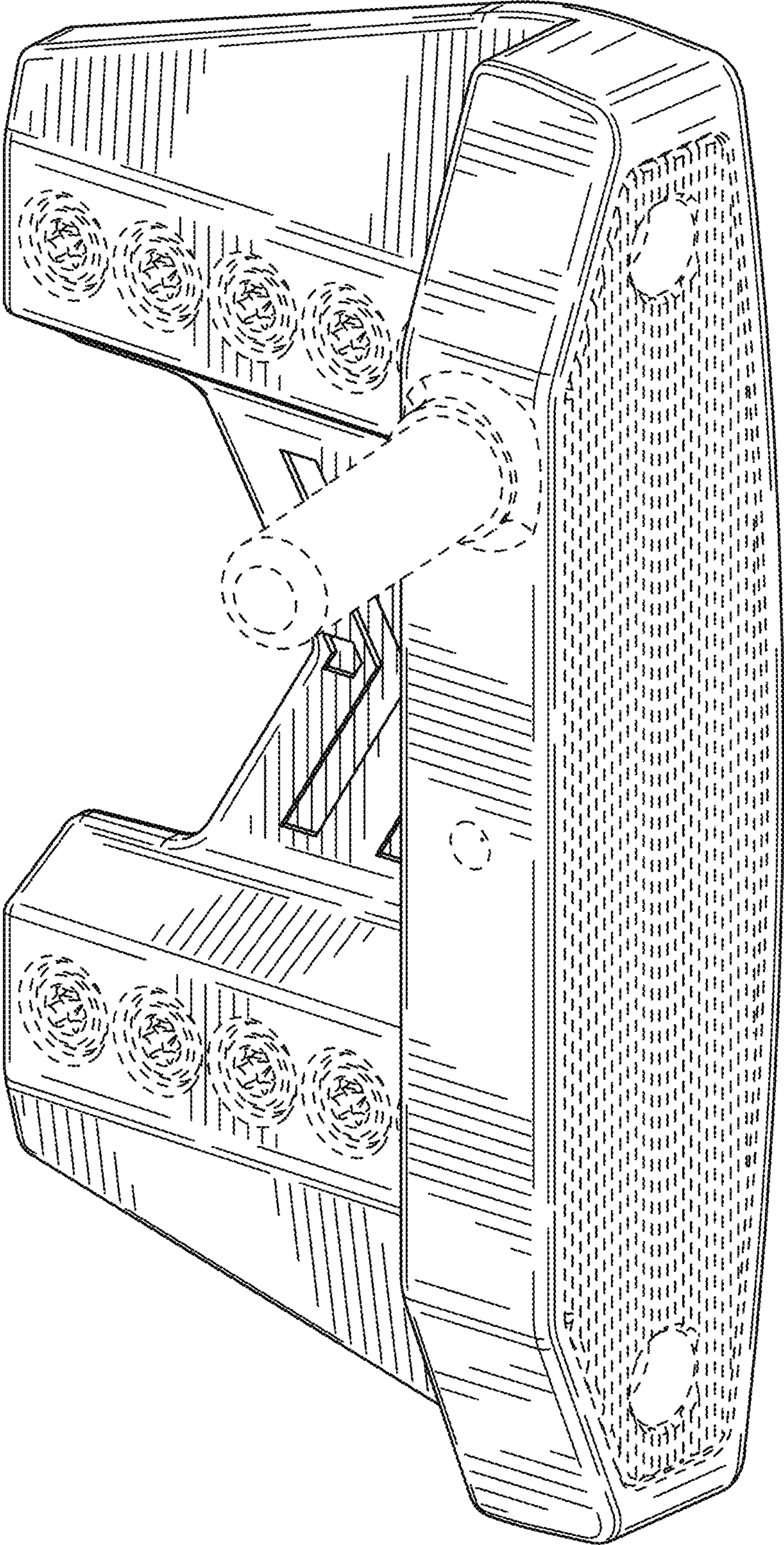


FIG. 1

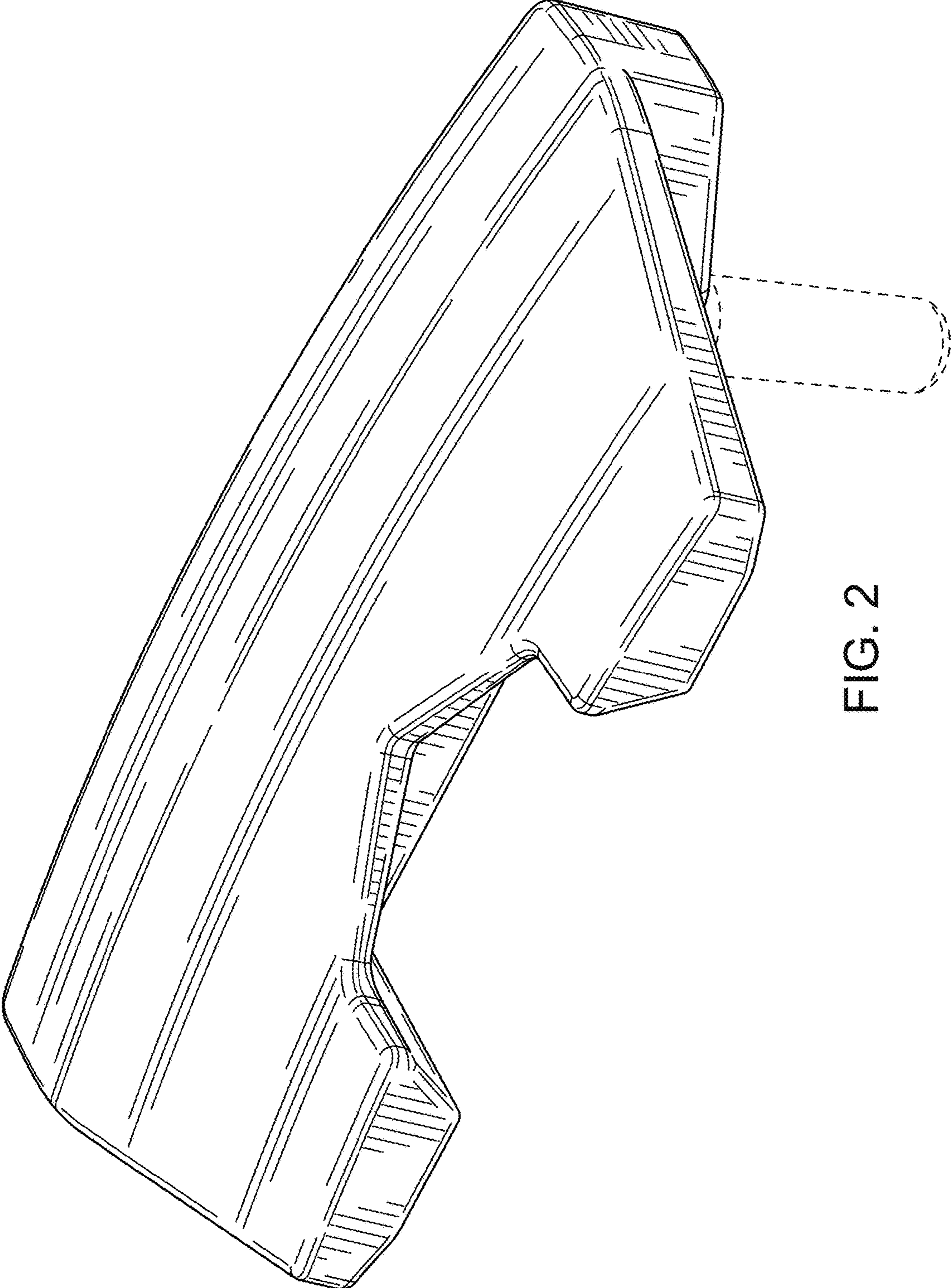


FIG. 2

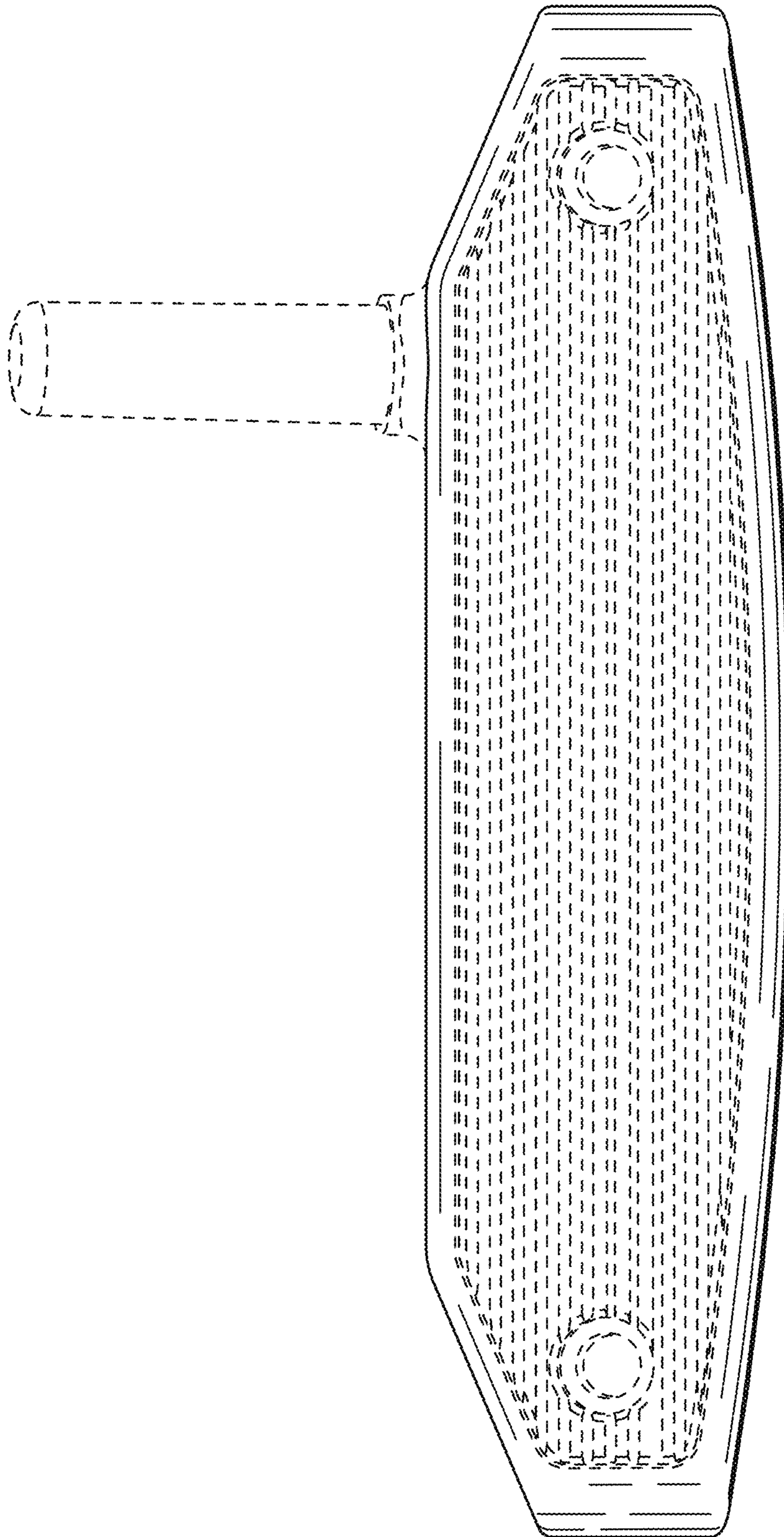


FIG. 3

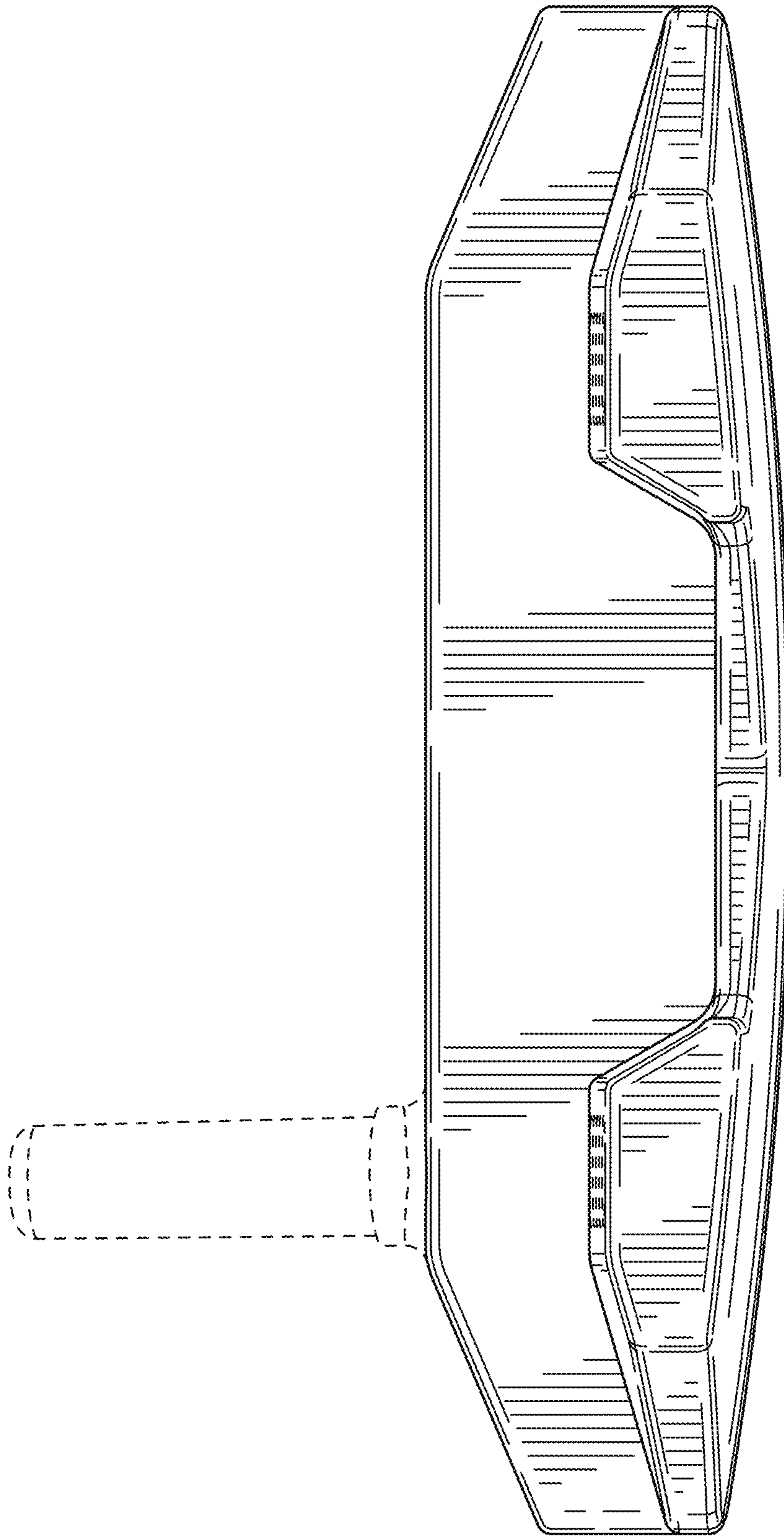


FIG. 4

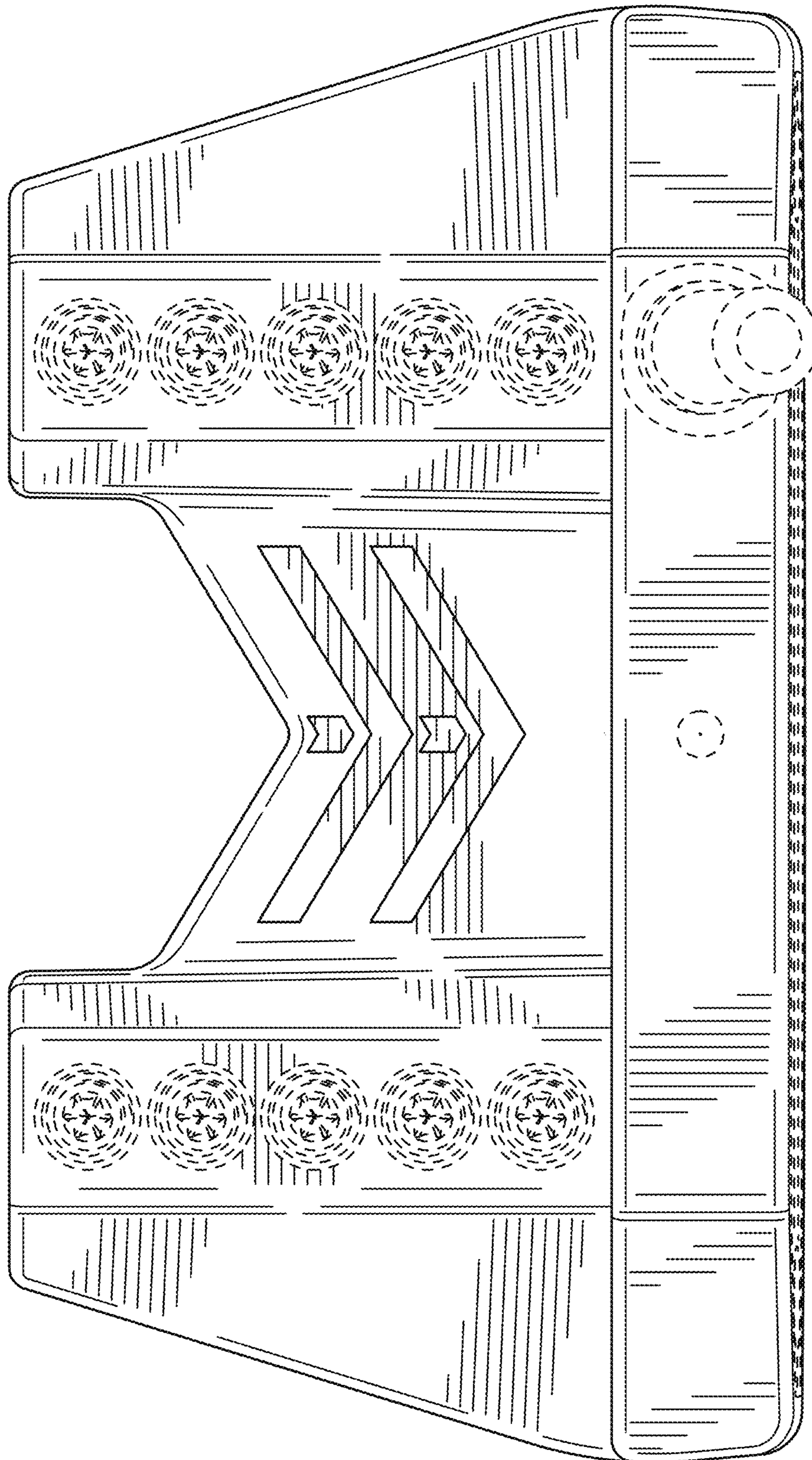


FIG. 5

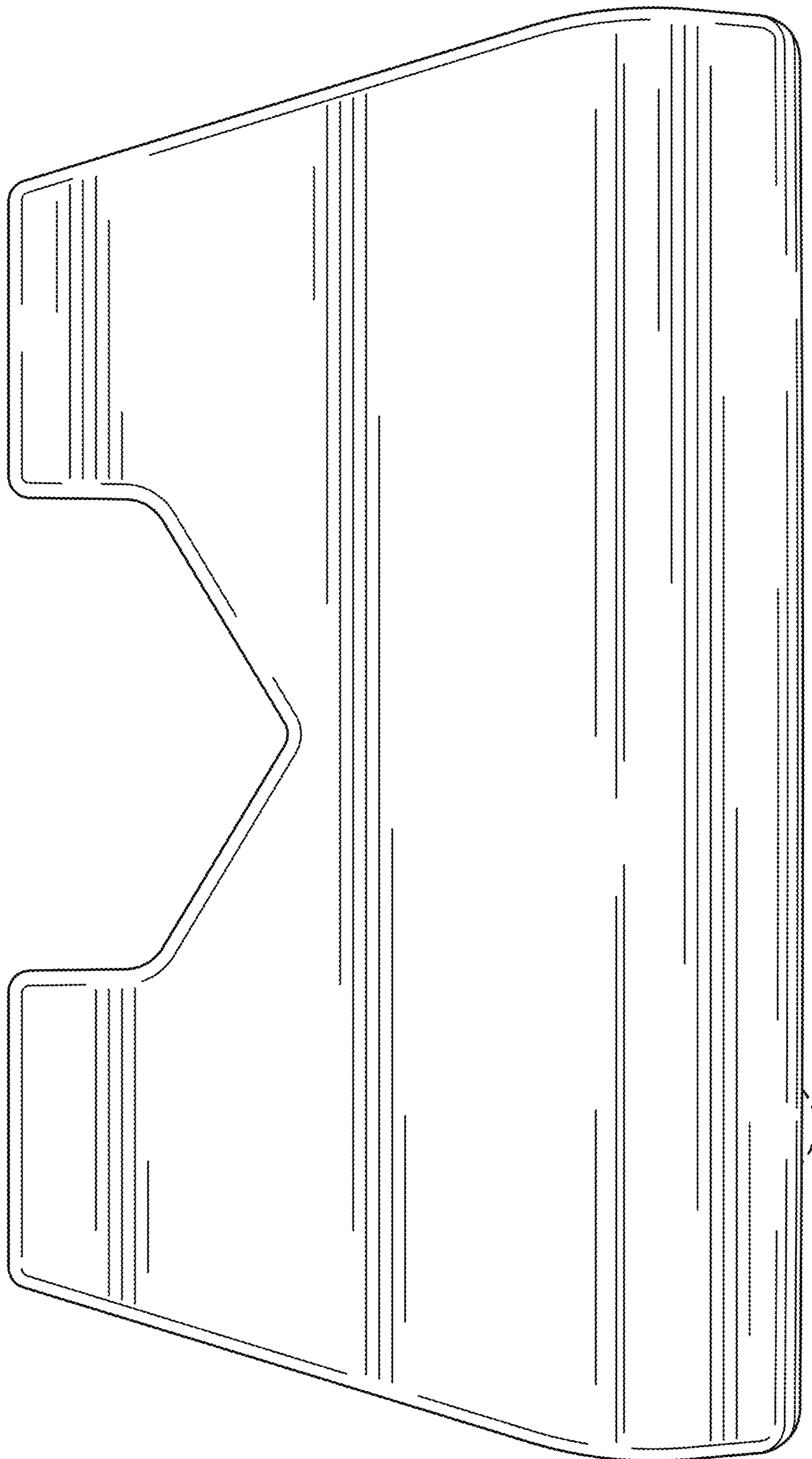


FIG. 6

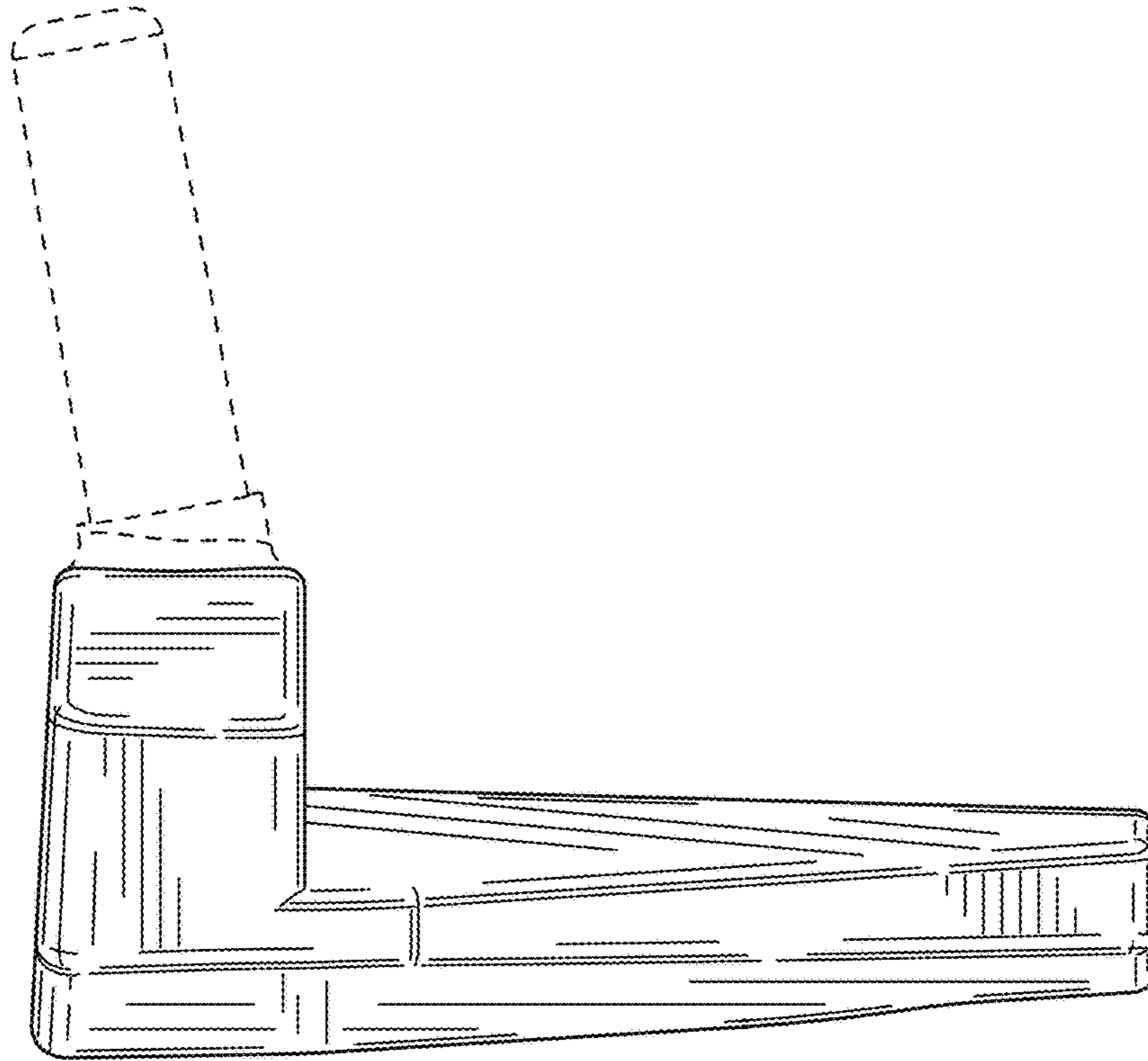


FIG. 7

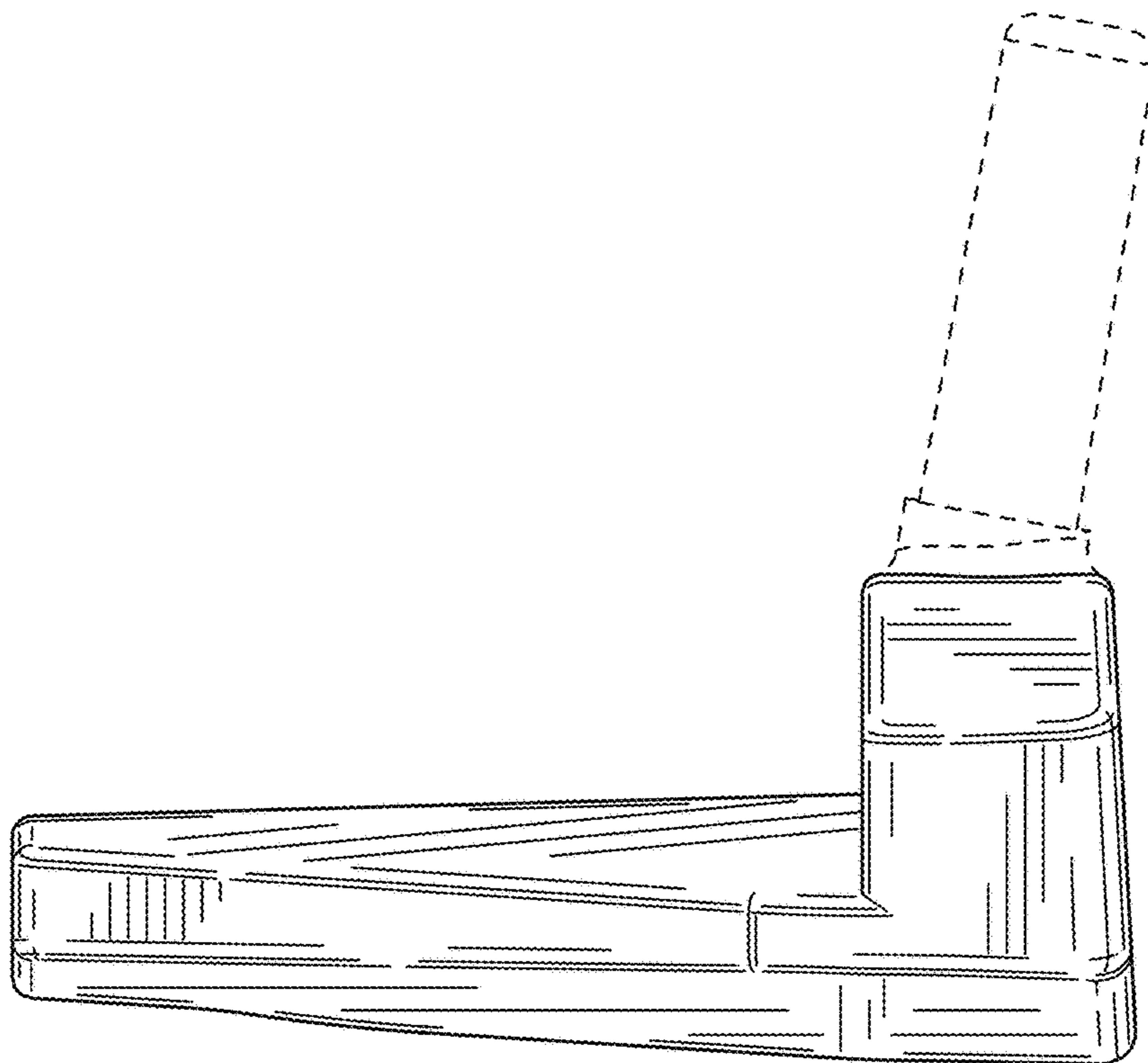


FIG. 8

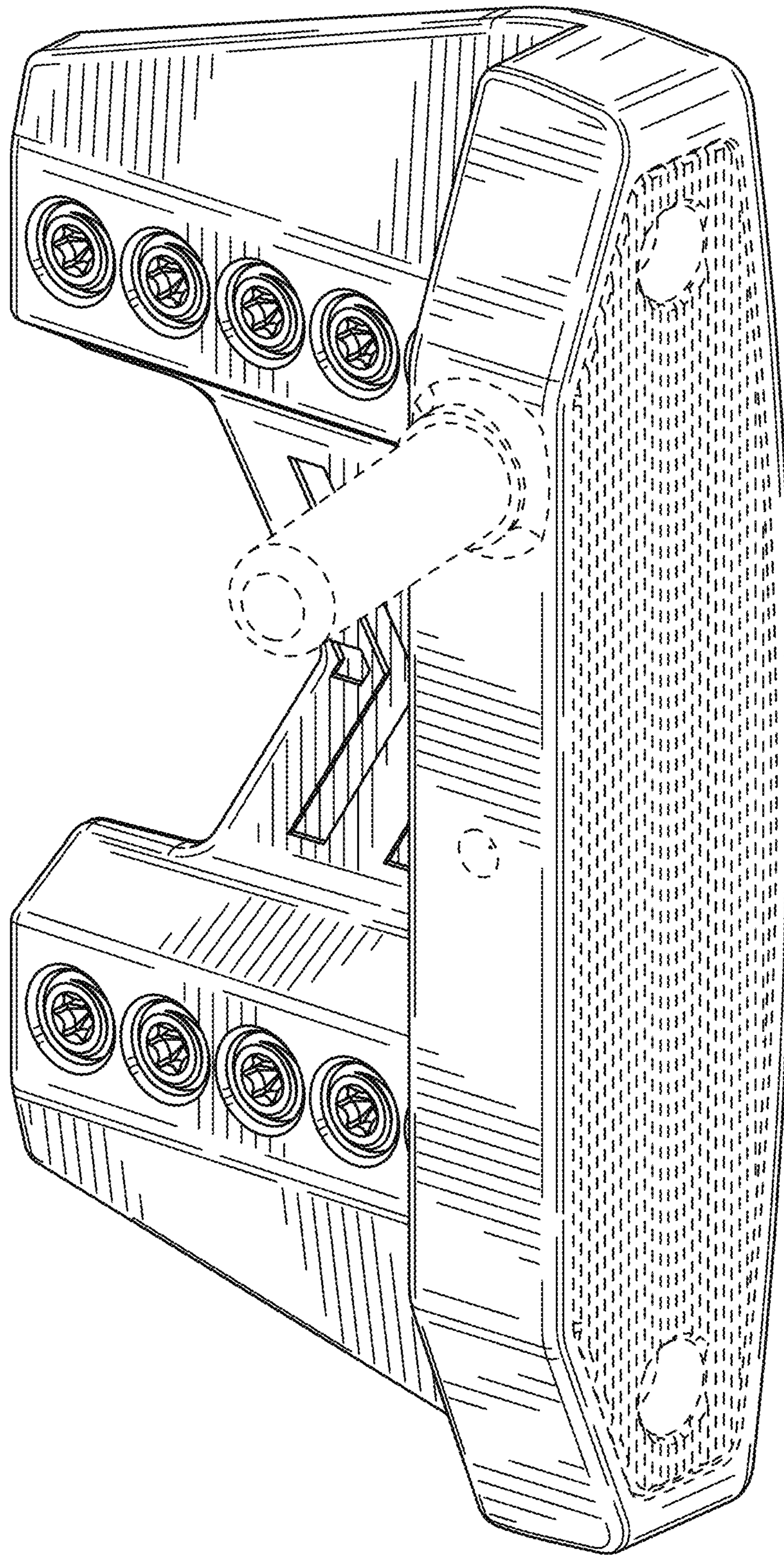


FIG. 9

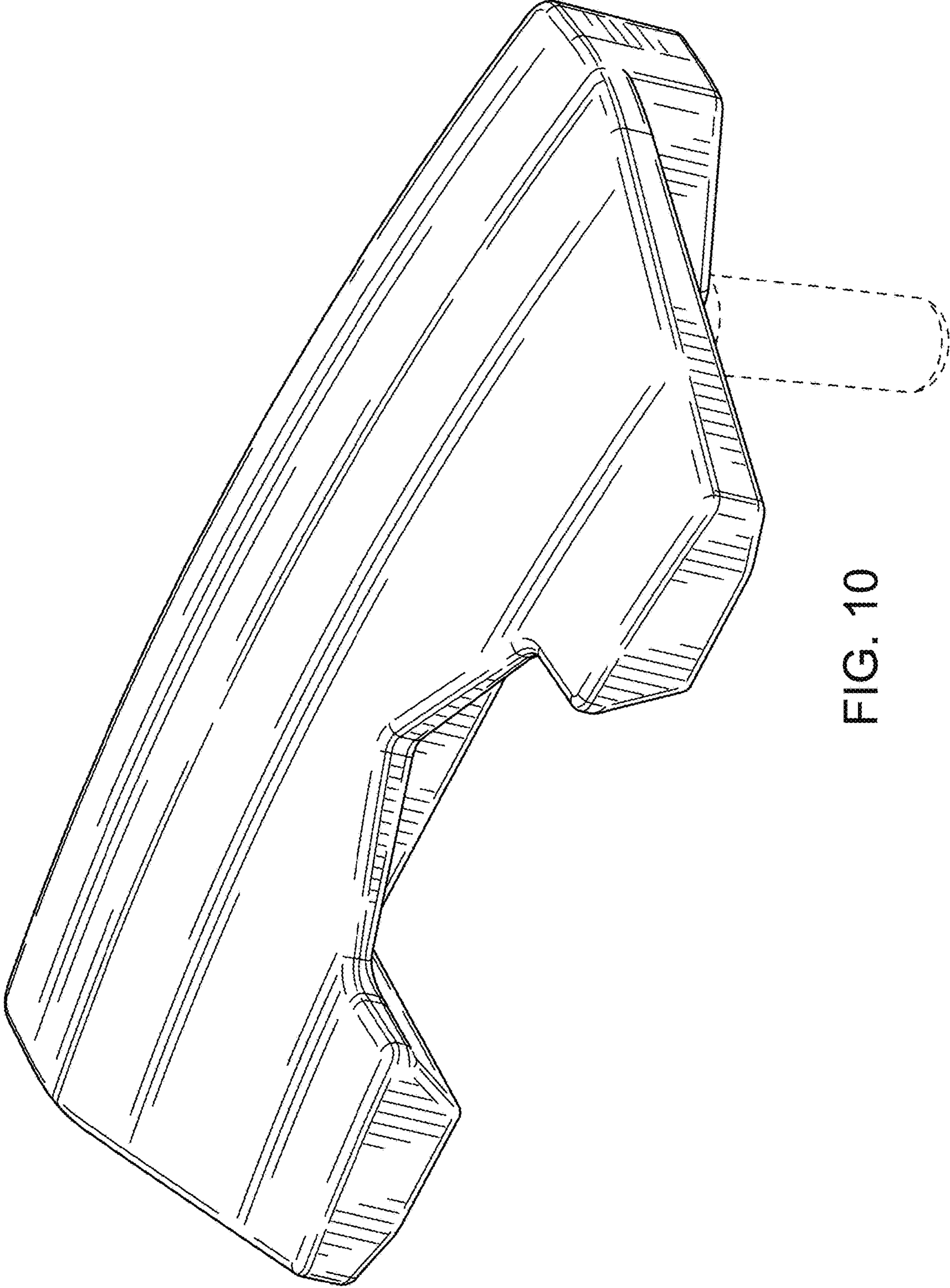


FIG. 10

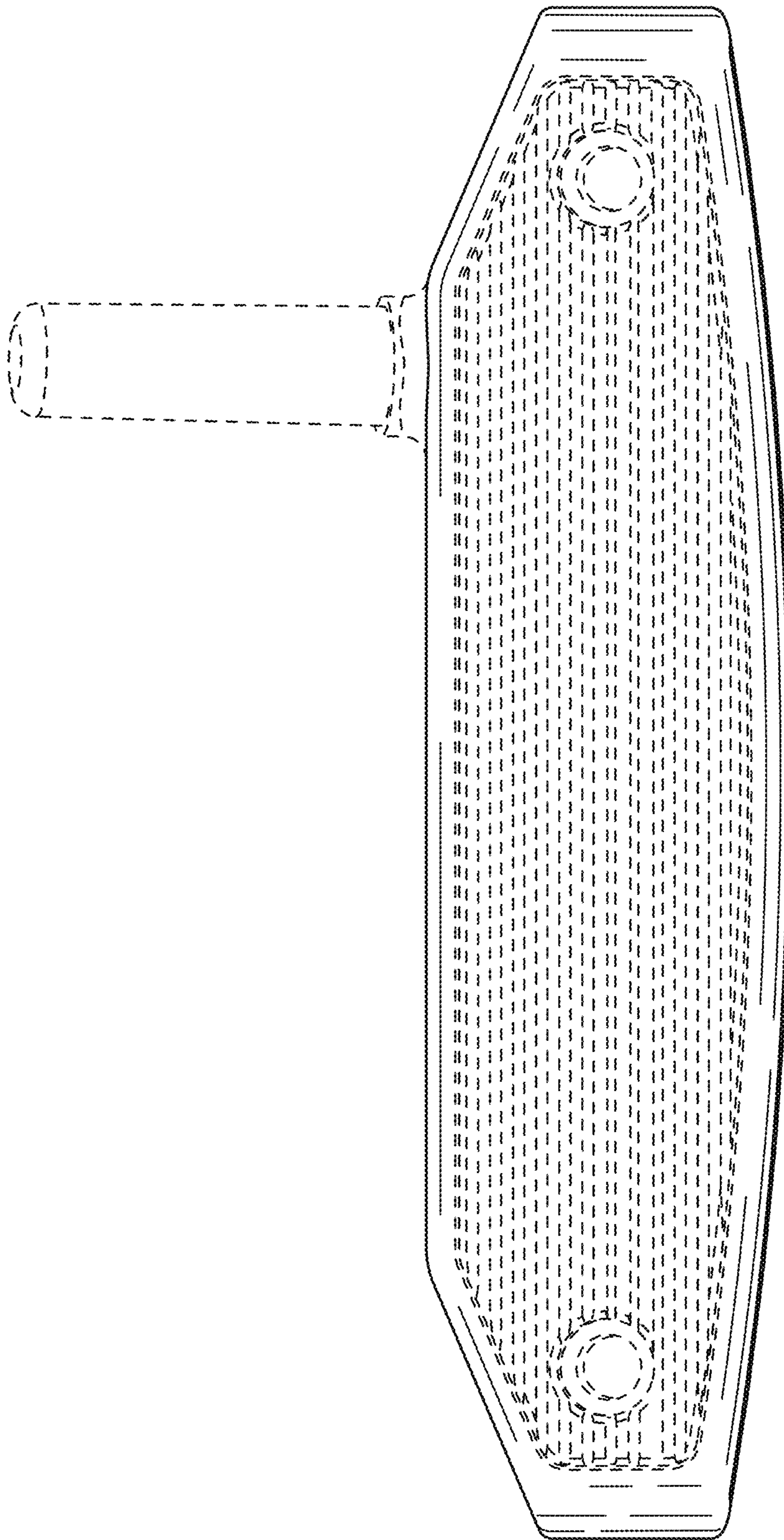


FIG. 11

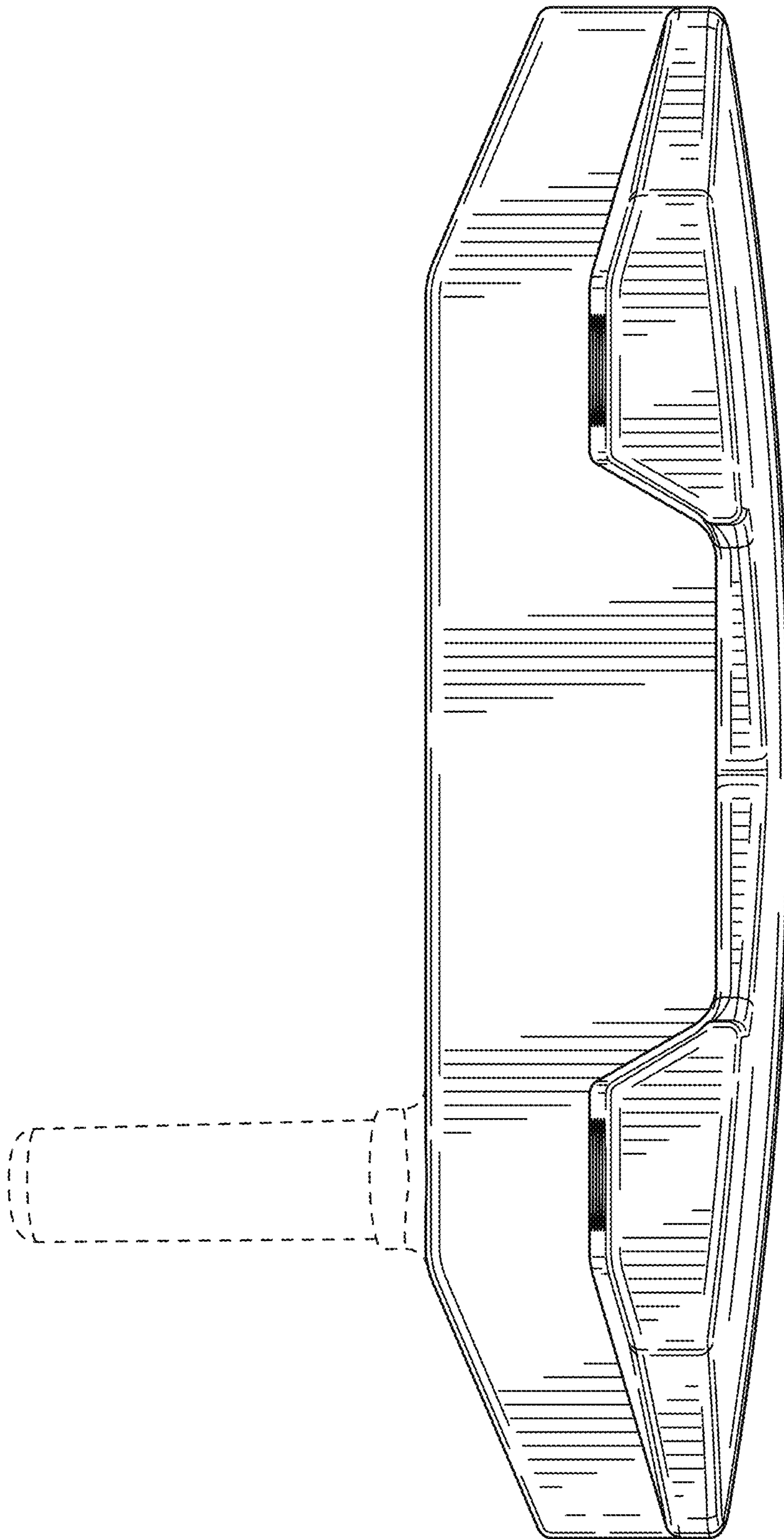


FIG. 12

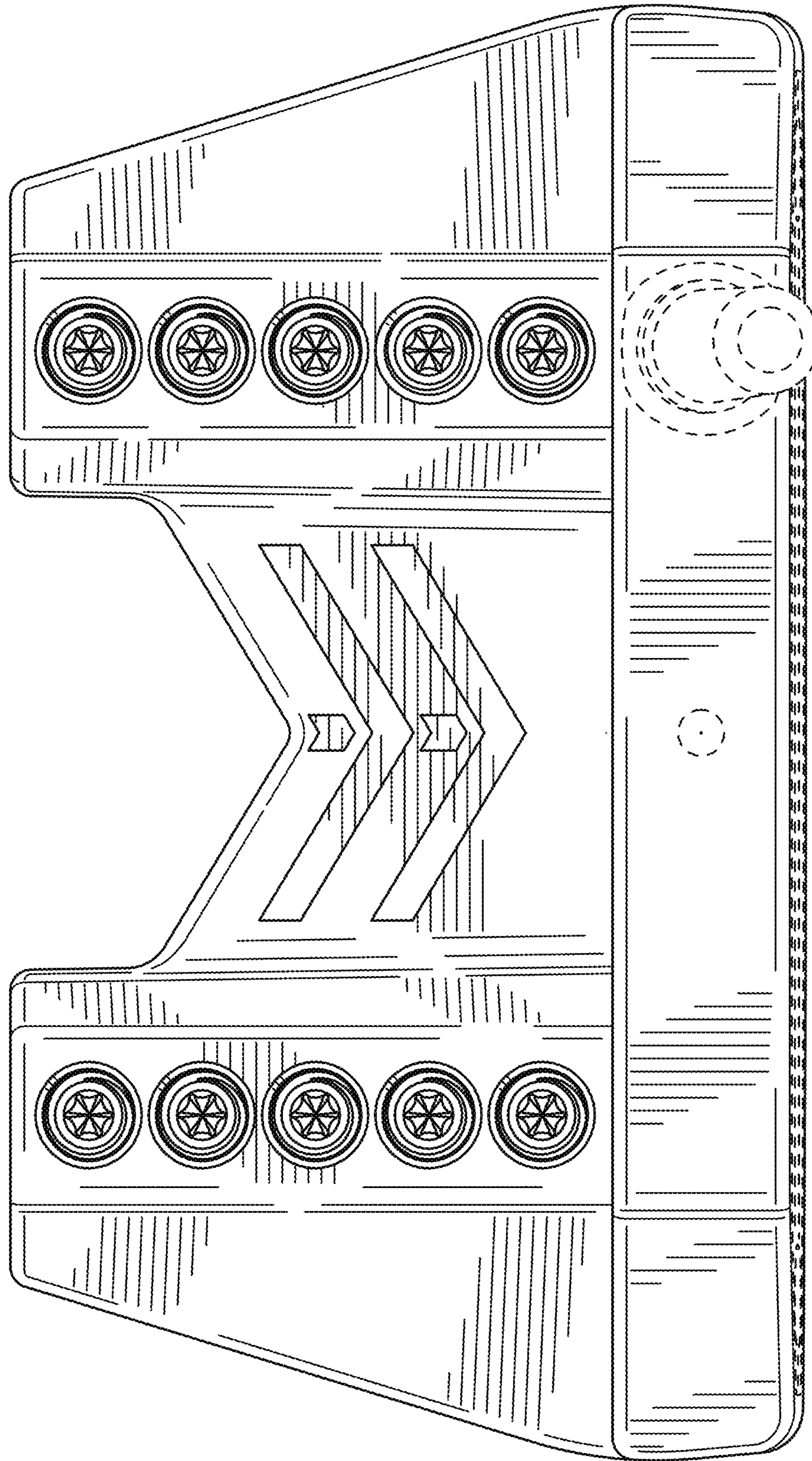


FIG. 13

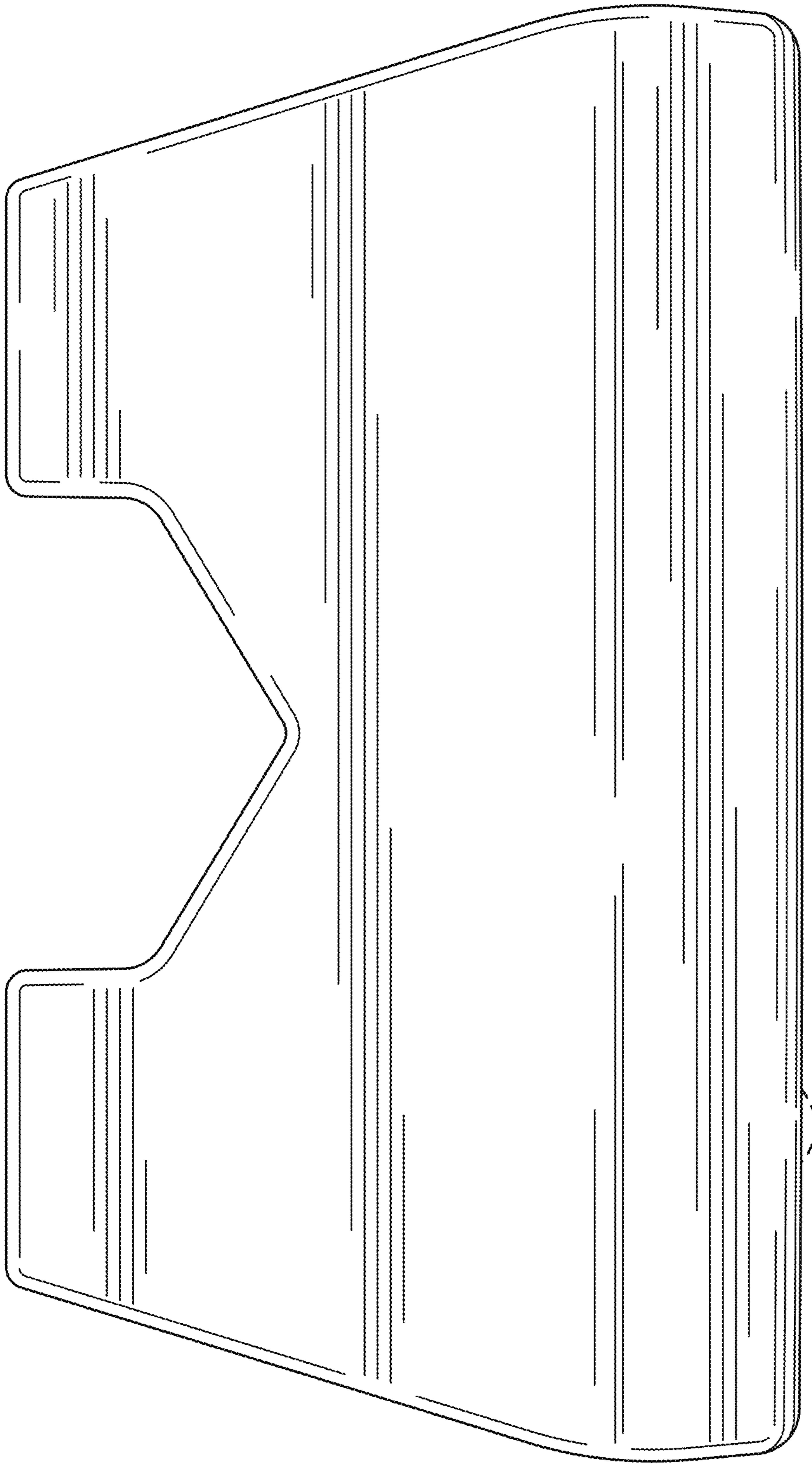


FIG. 14

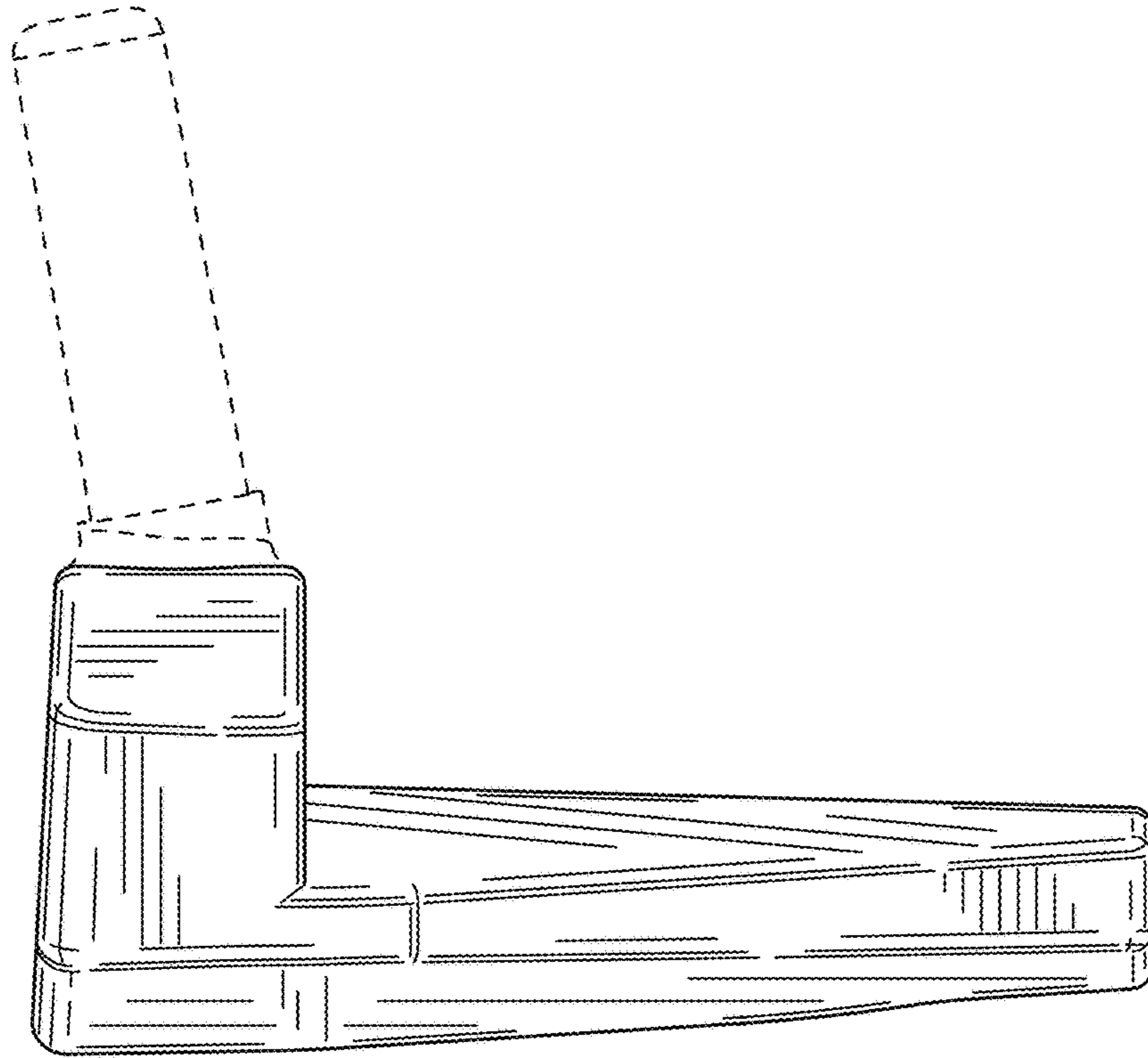


FIG. 15

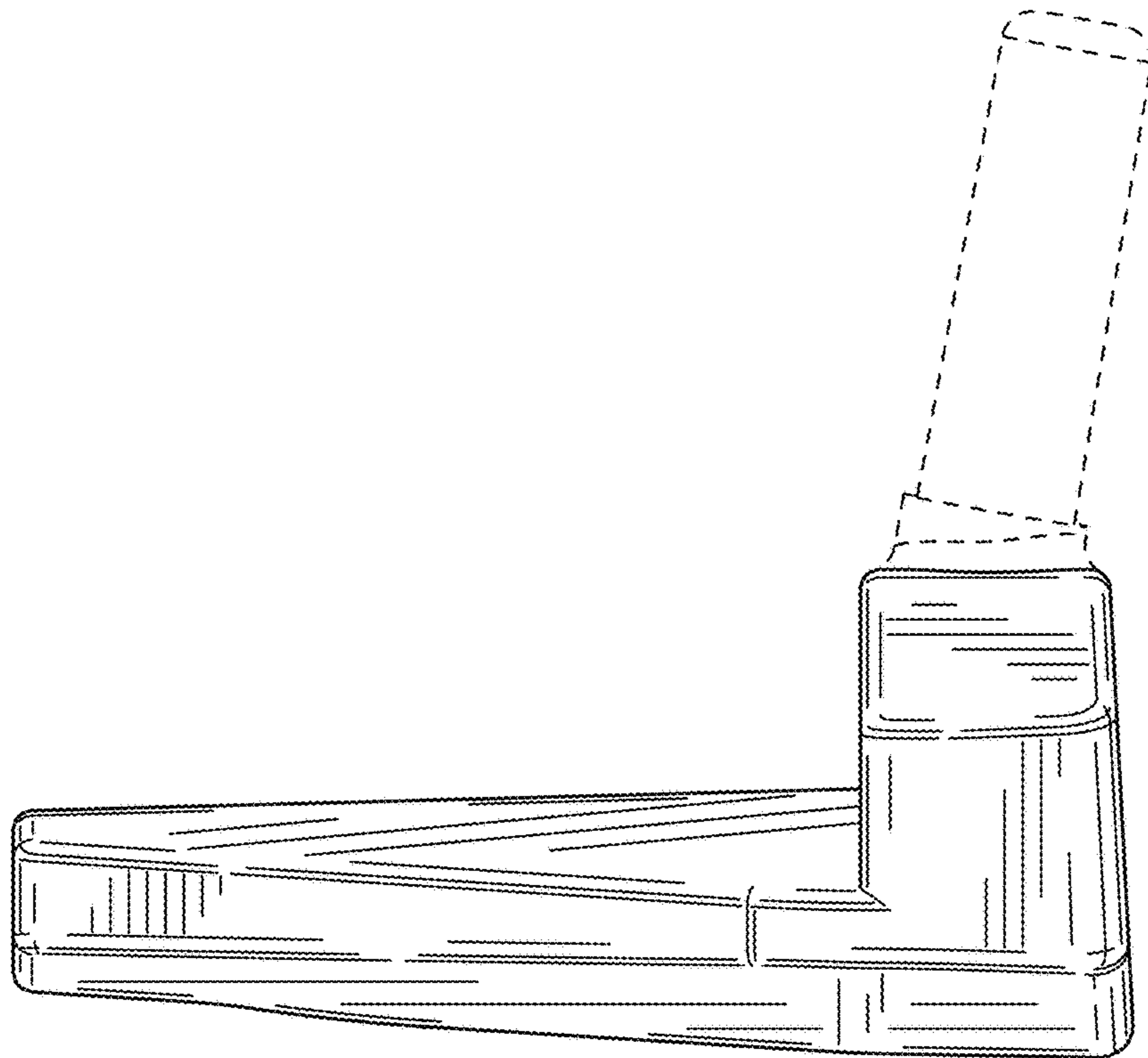


FIG. 16

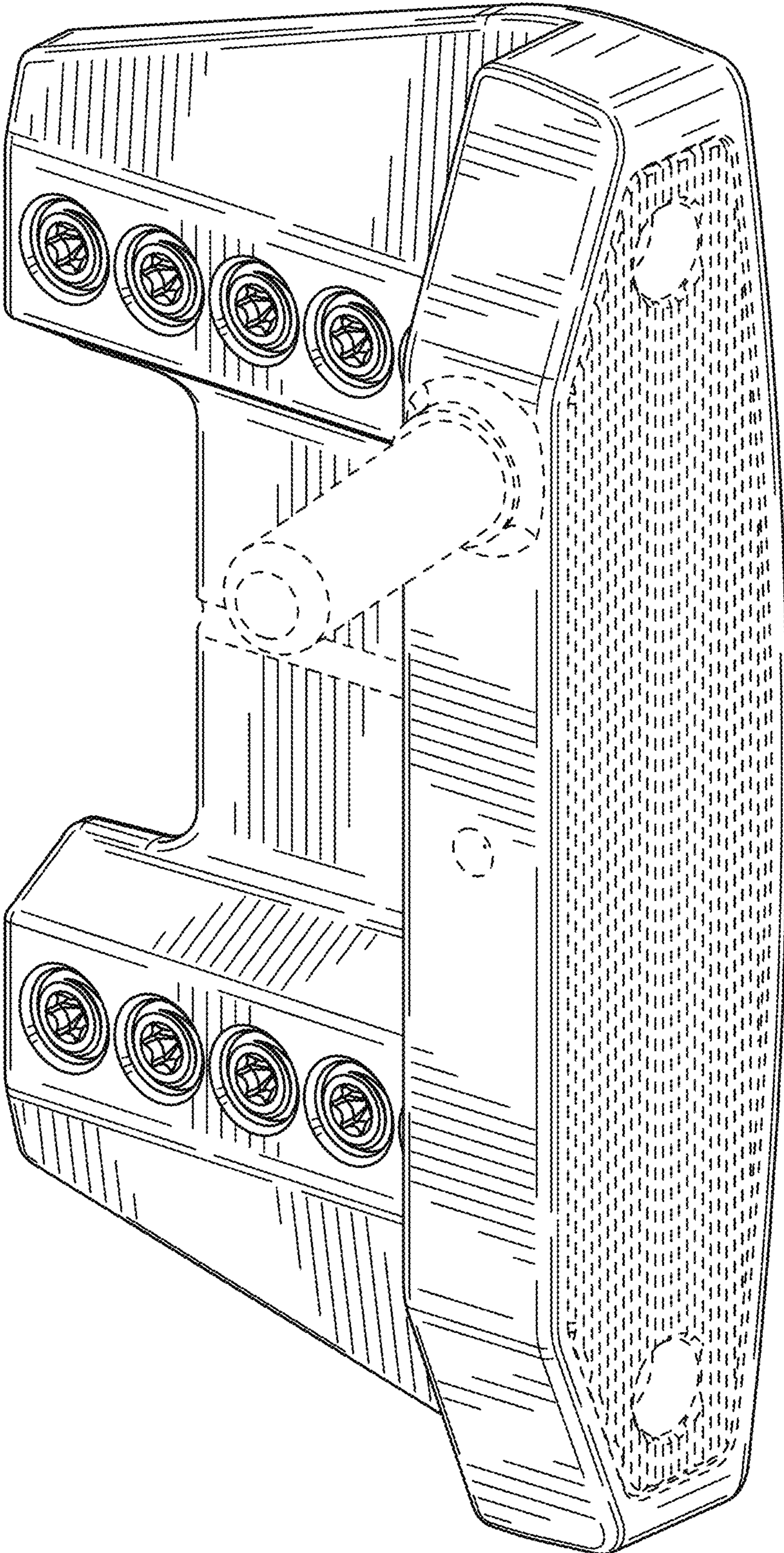


FIG. 17

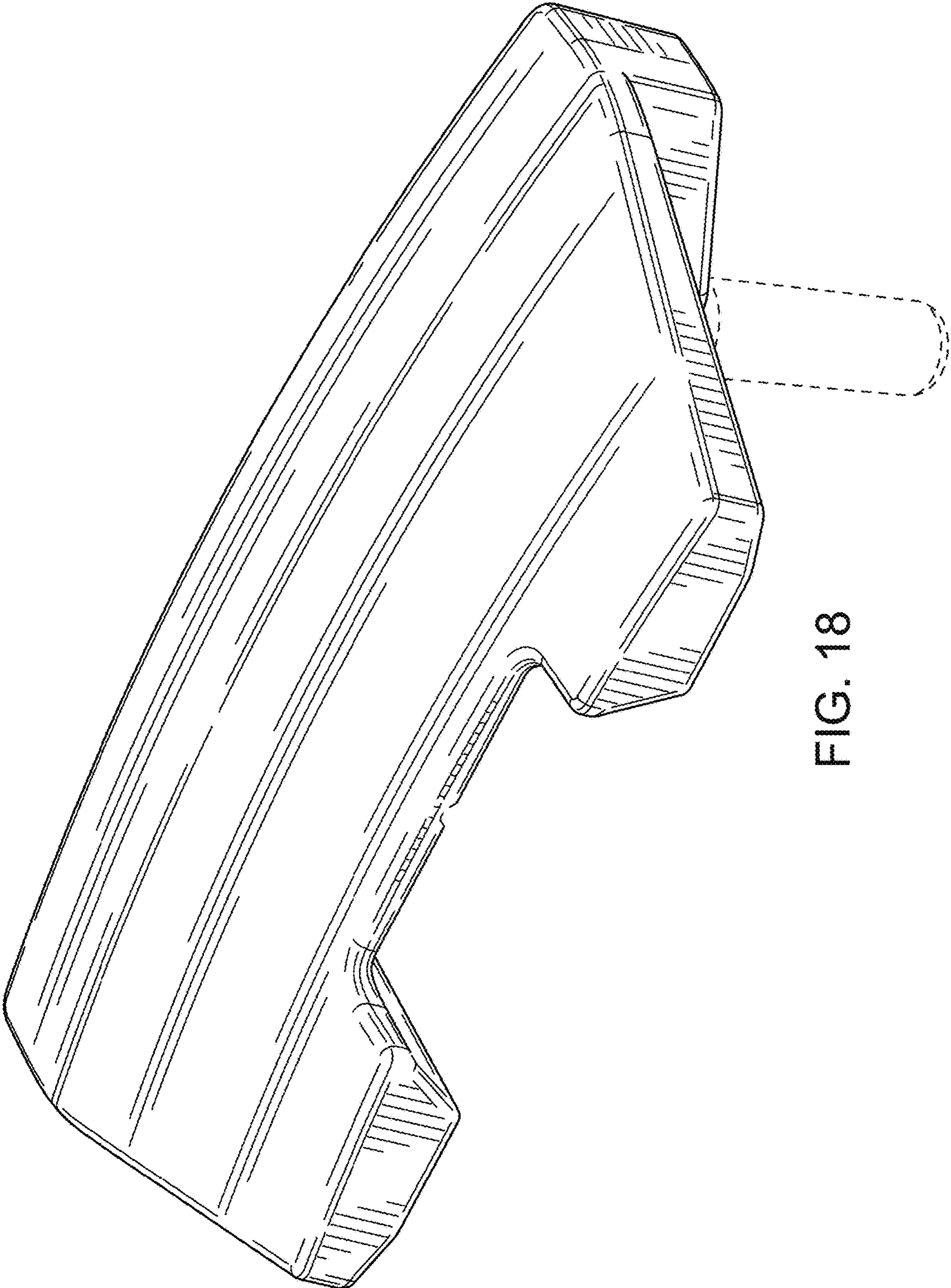


FIG. 18

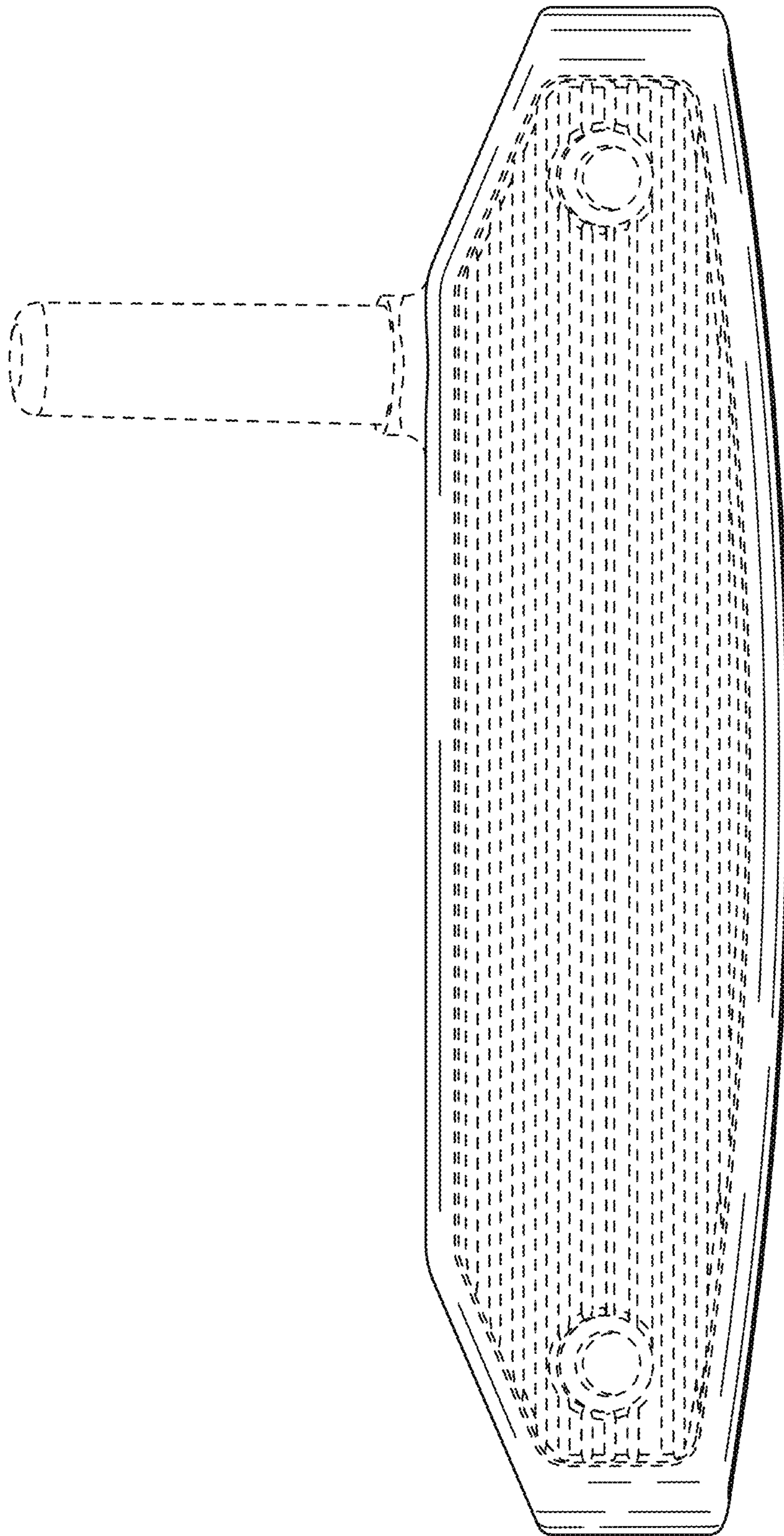


FIG. 19

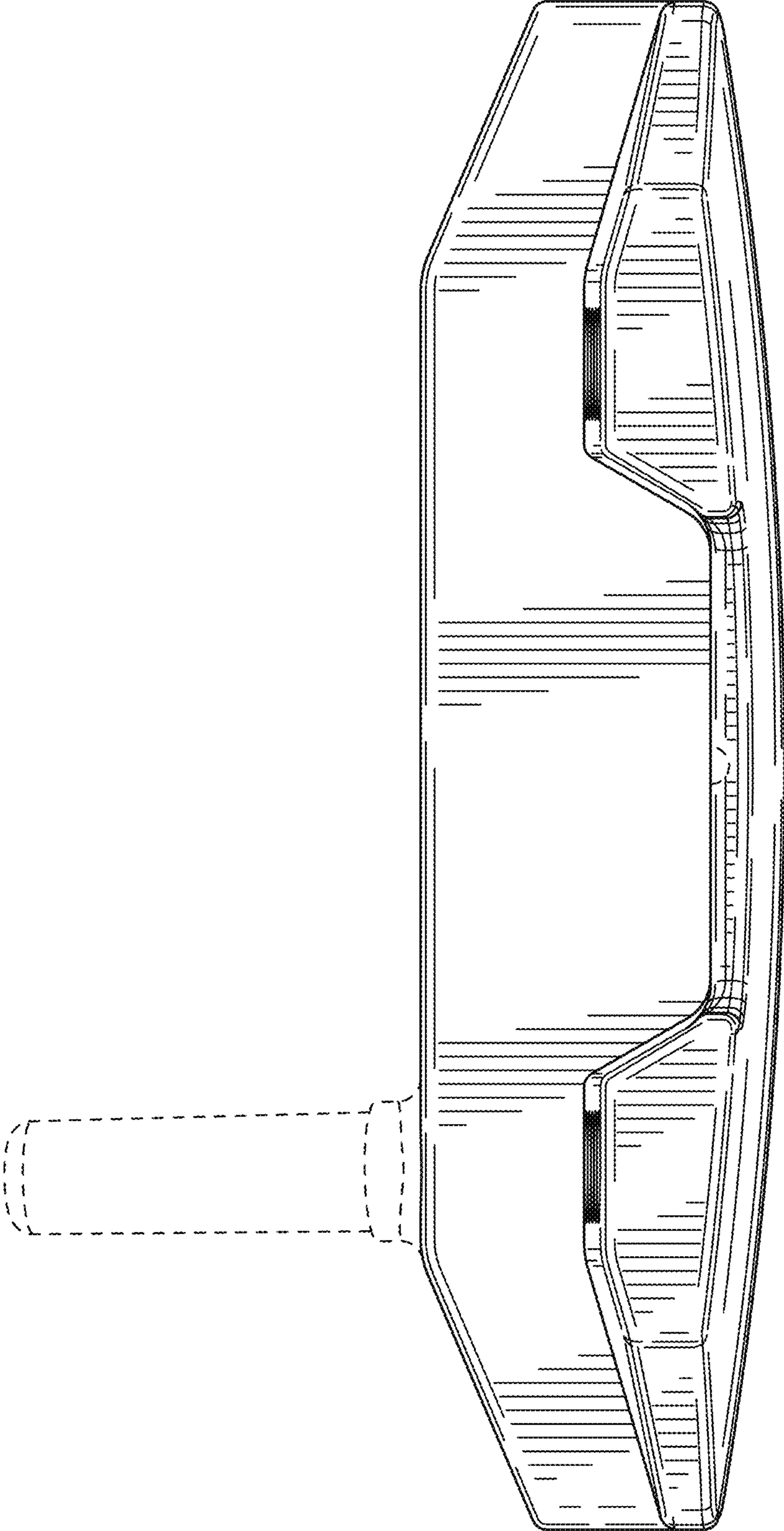


FIG. 20

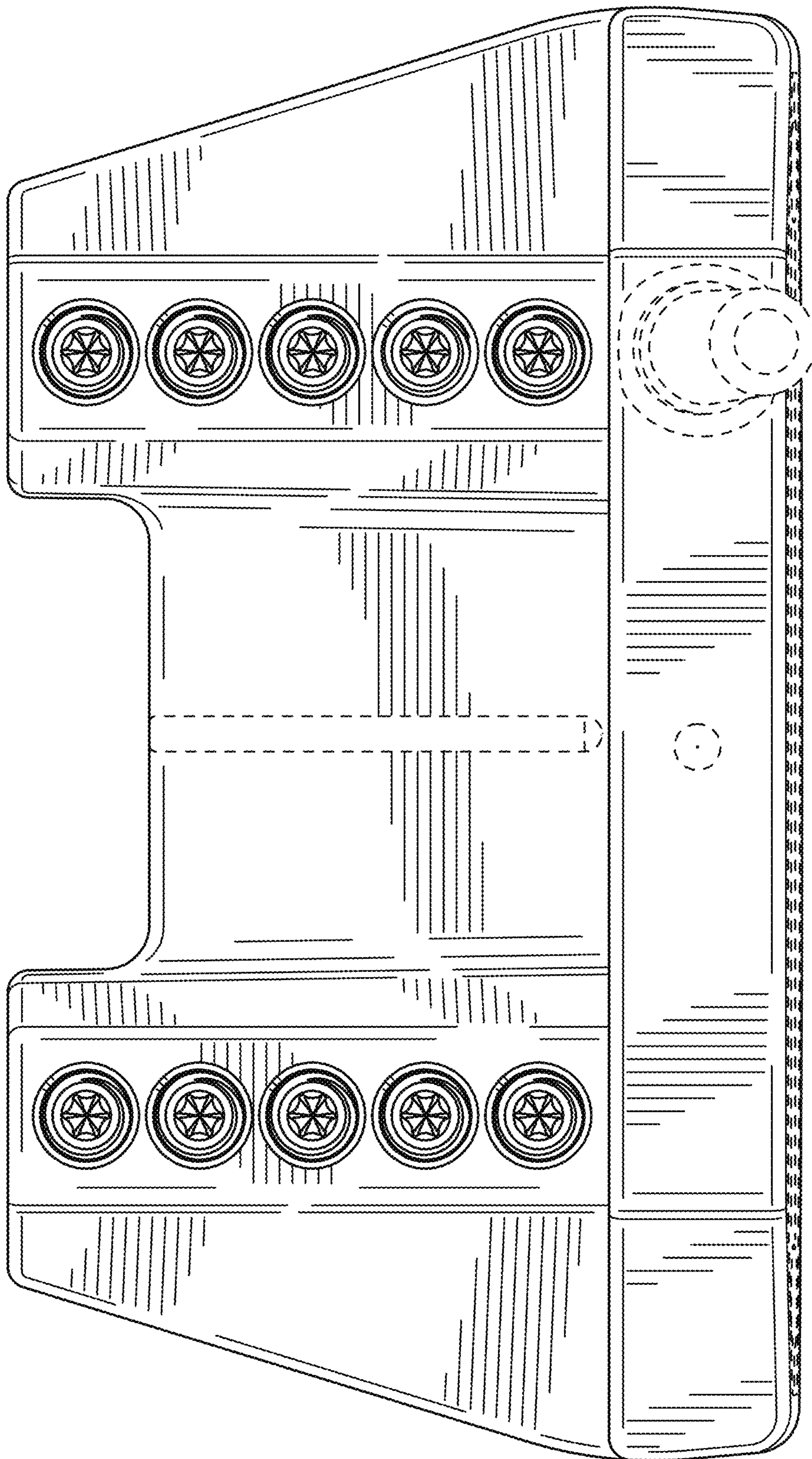


FIG. 21

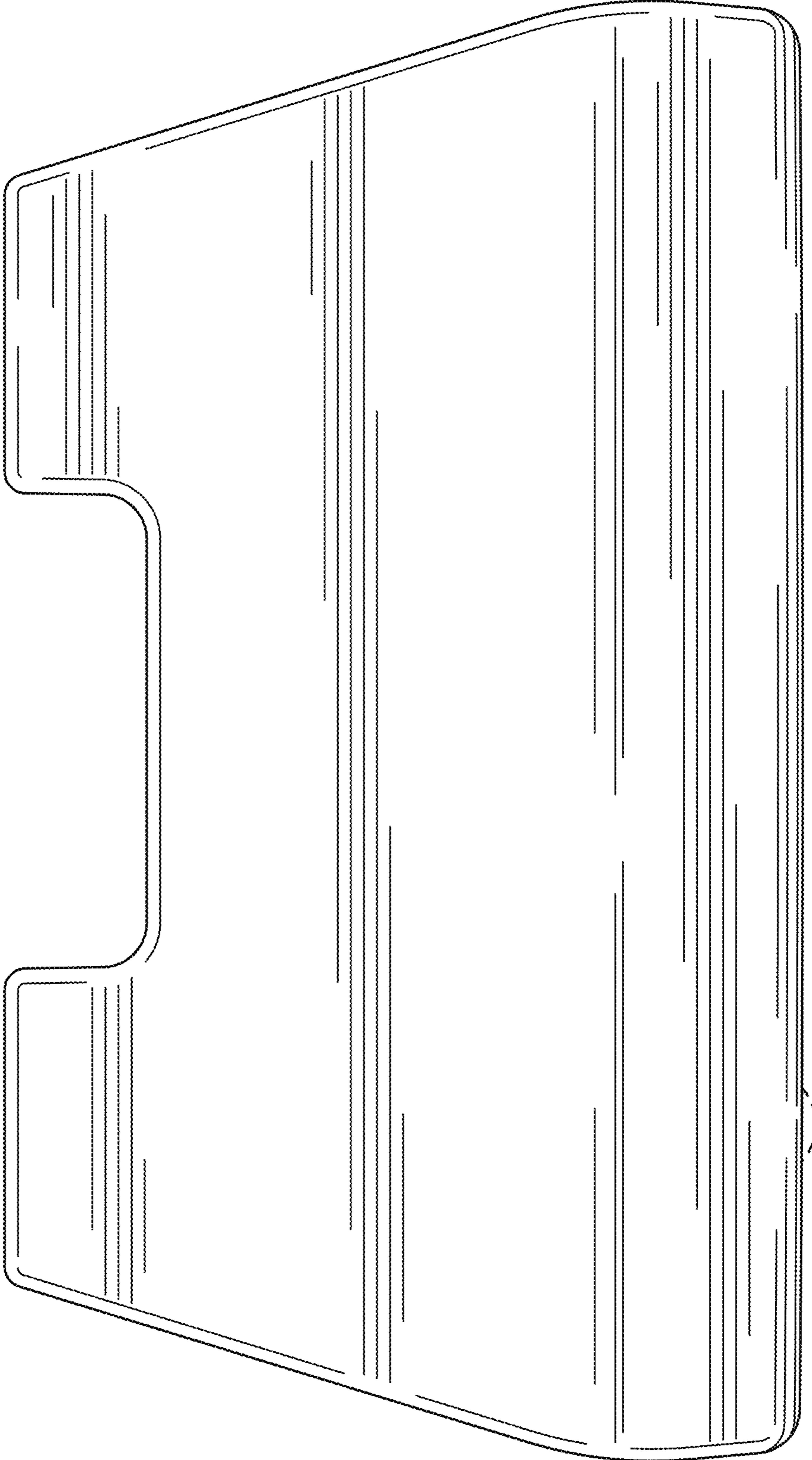


FIG. 22

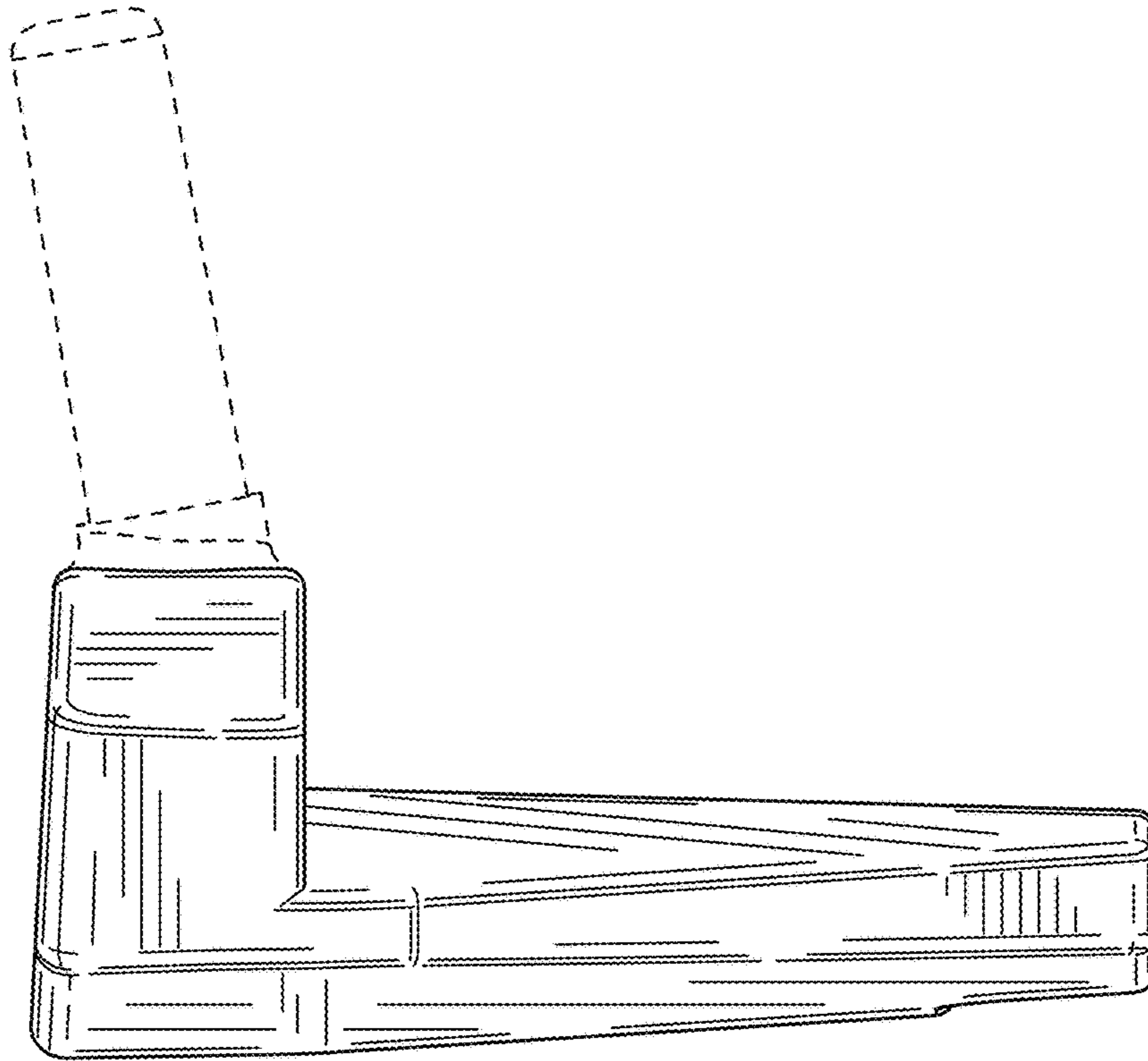


FIG. 23

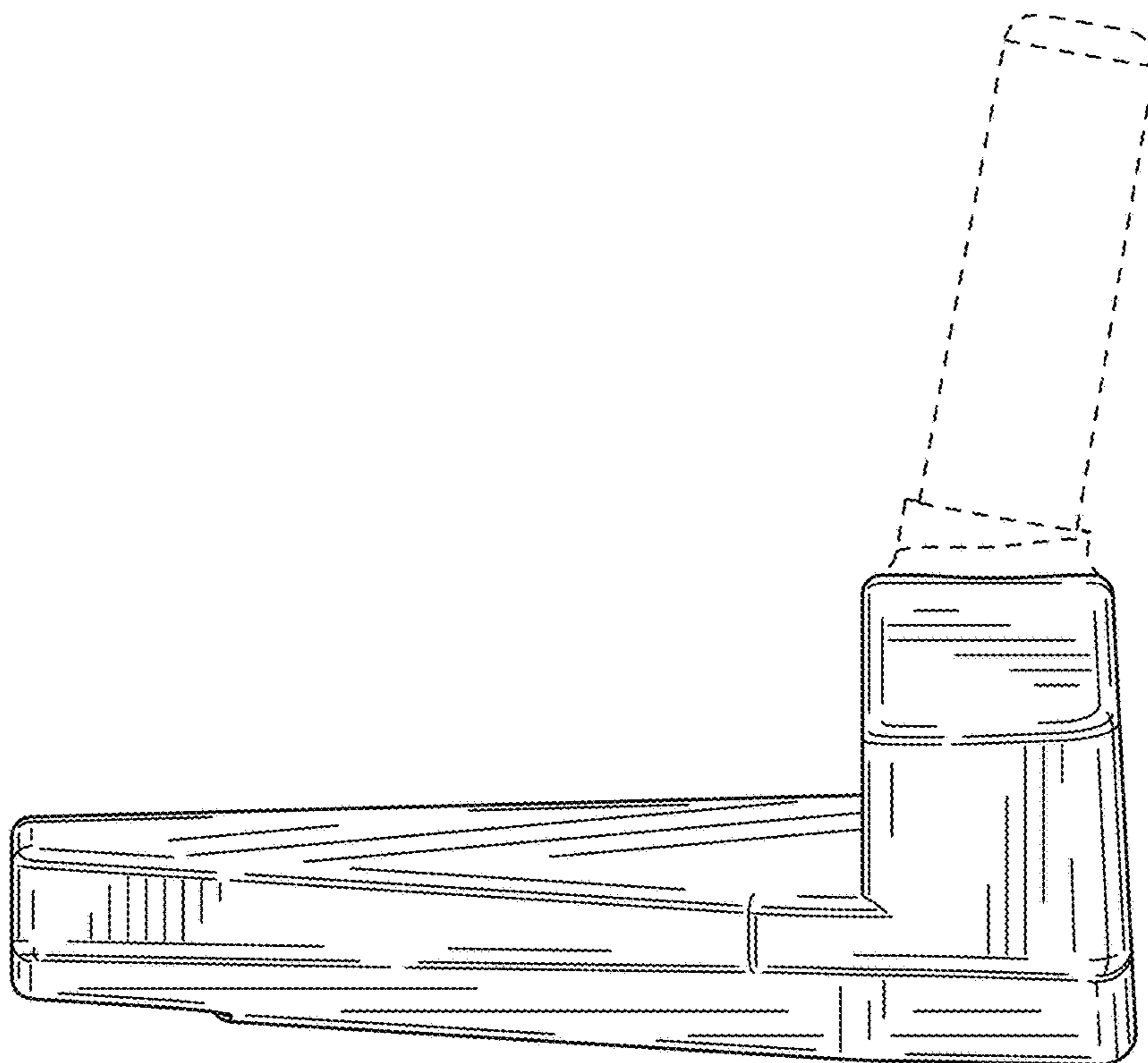


FIG. 24

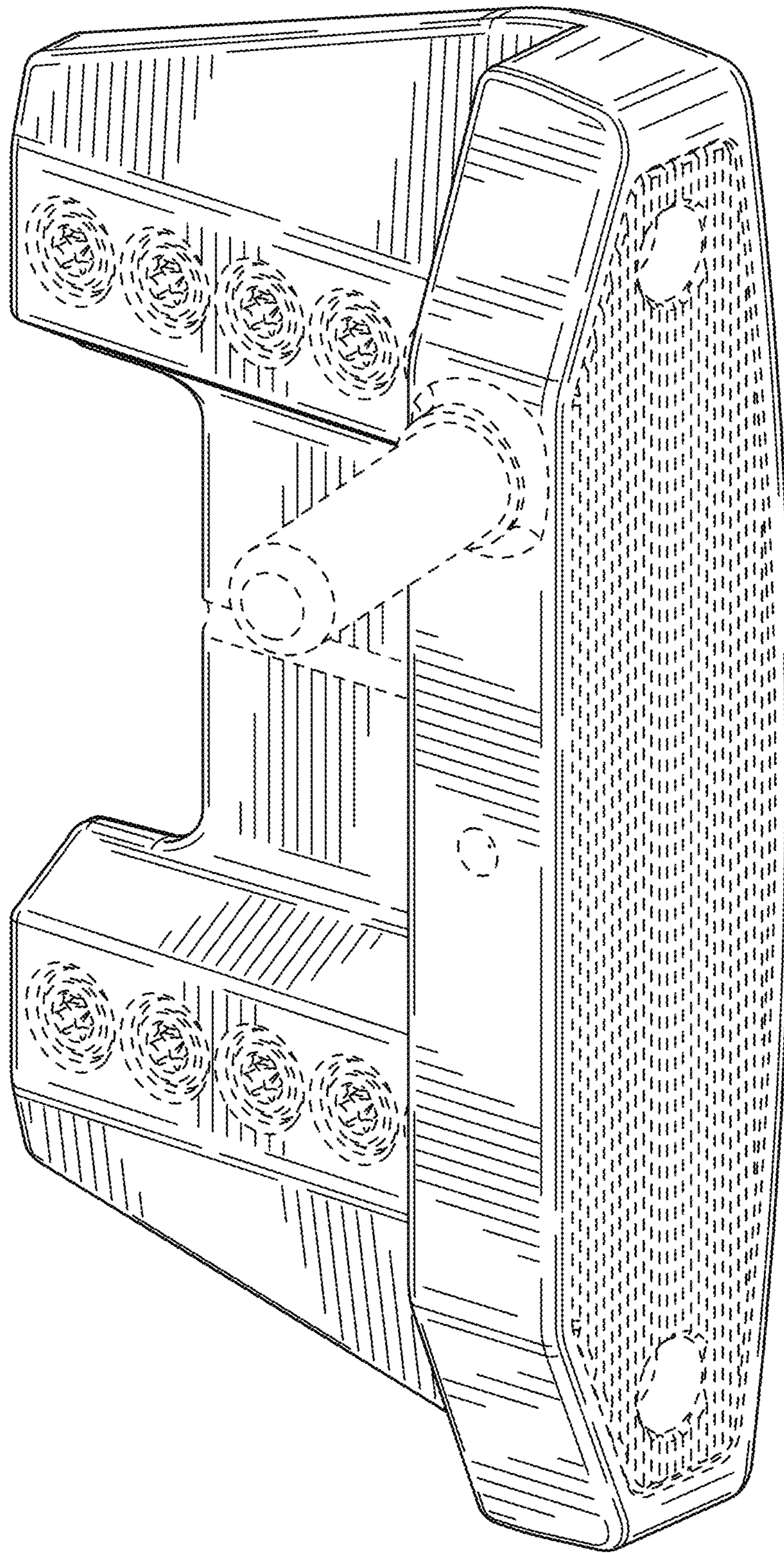


FIG. 25

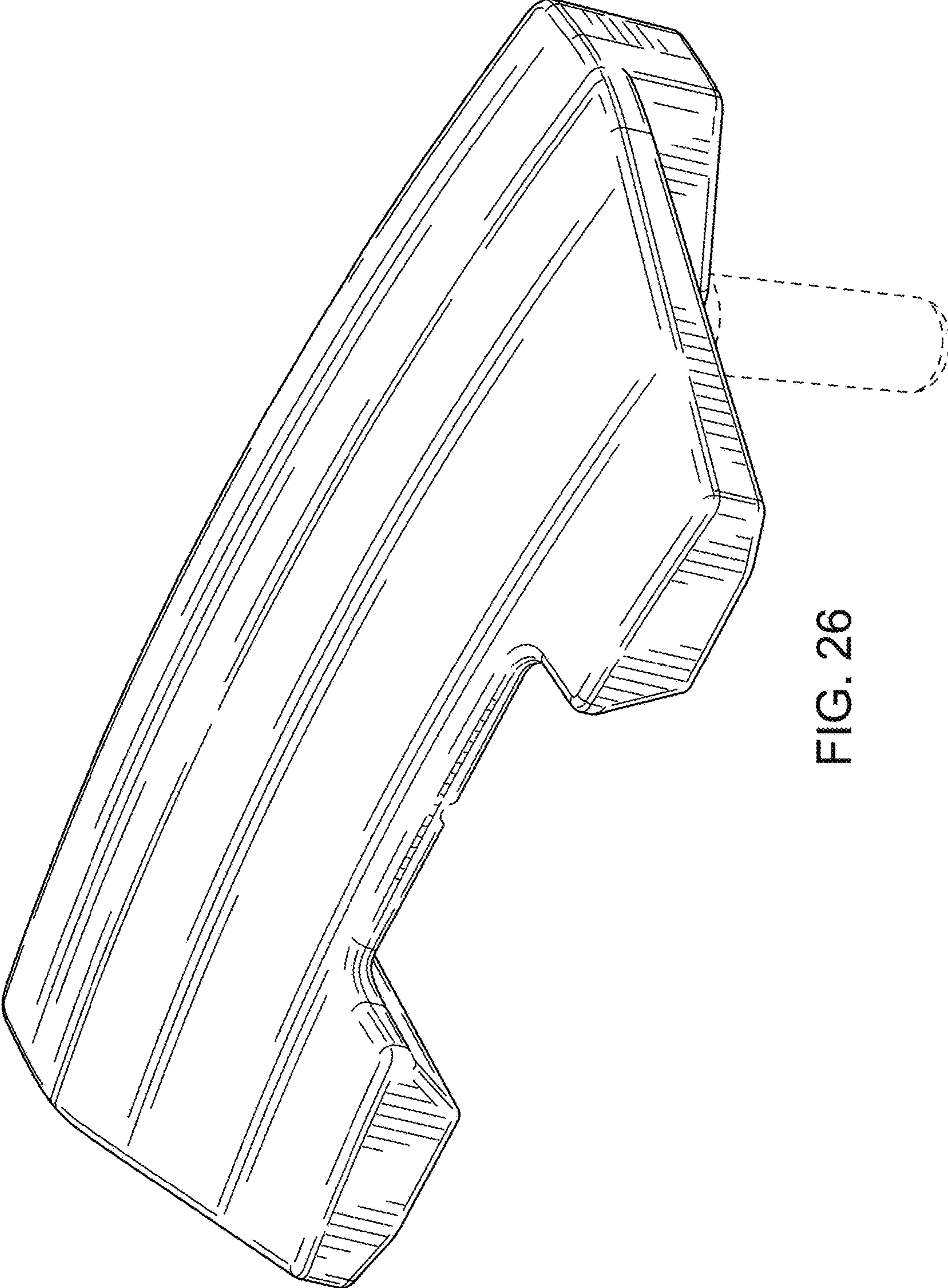


FIG. 26

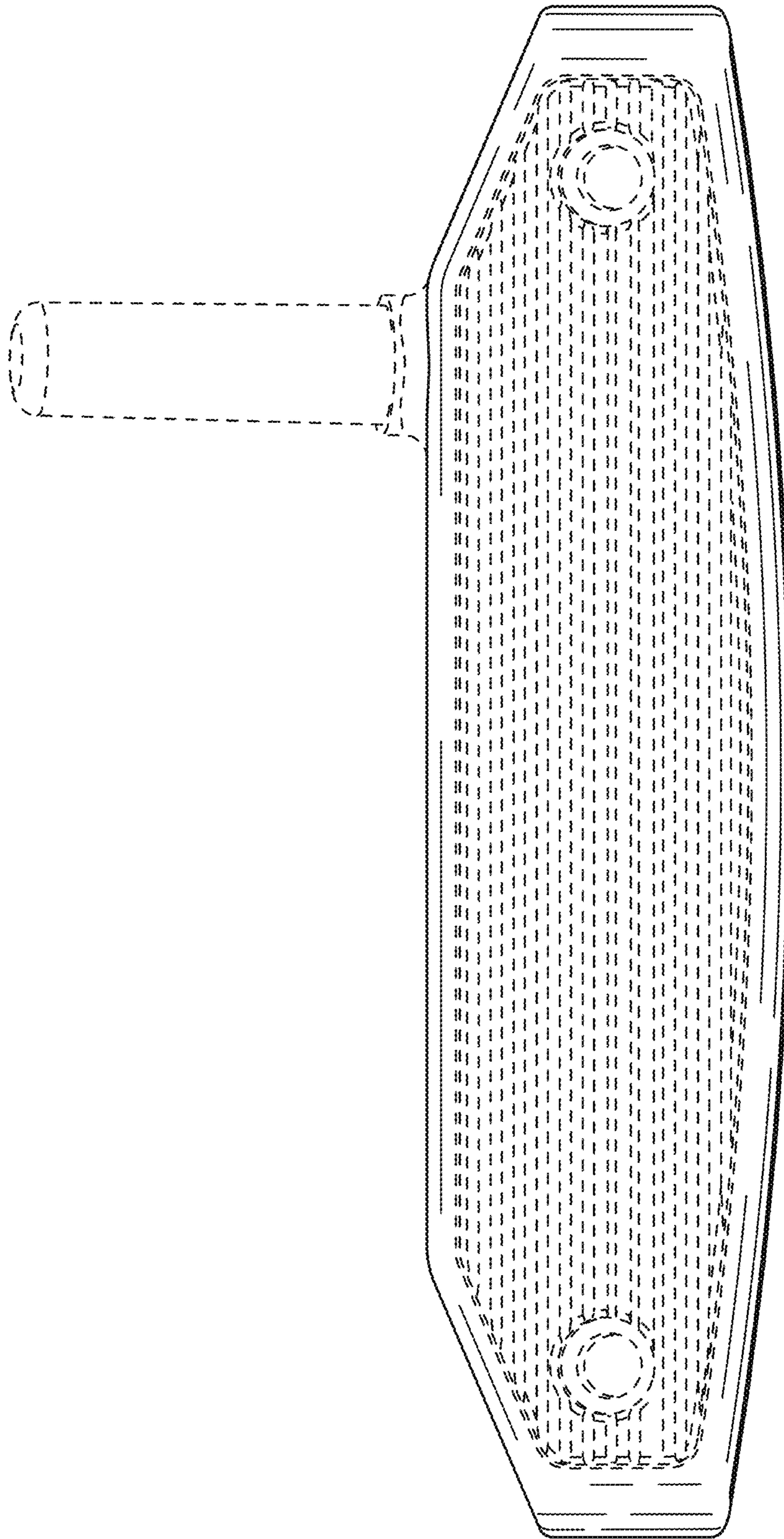


FIG. 27

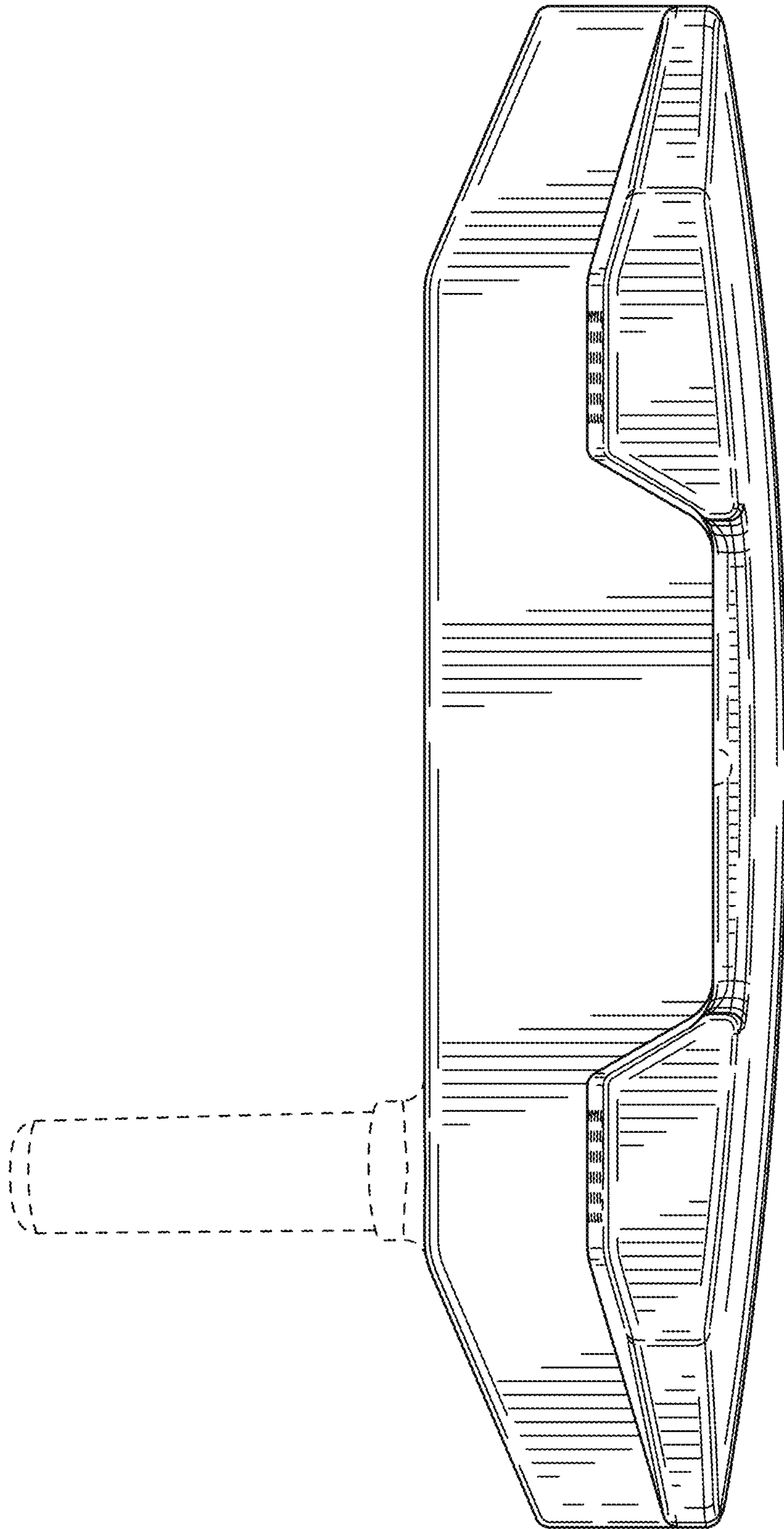


FIG. 28

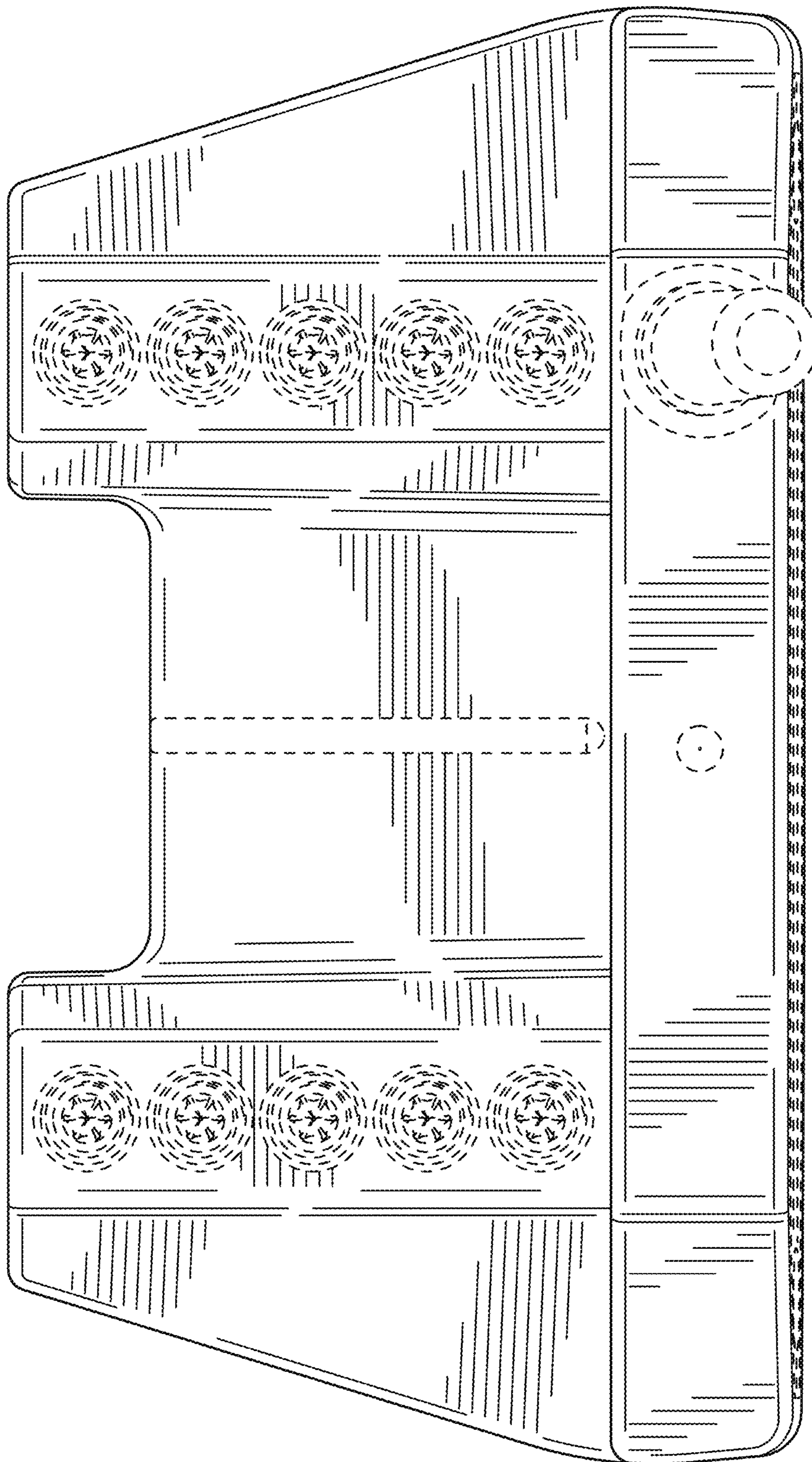


FIG. 29

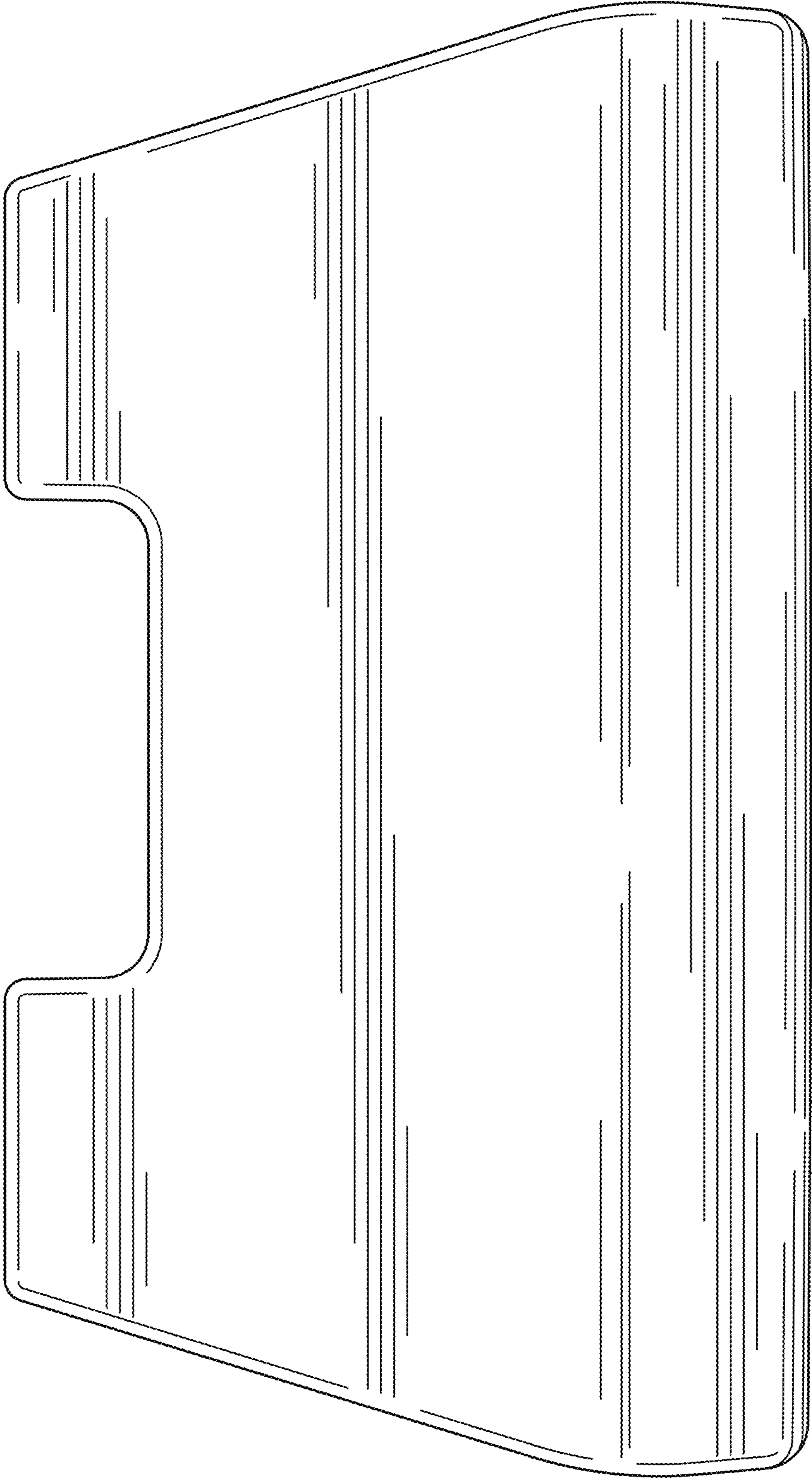


FIG. 30

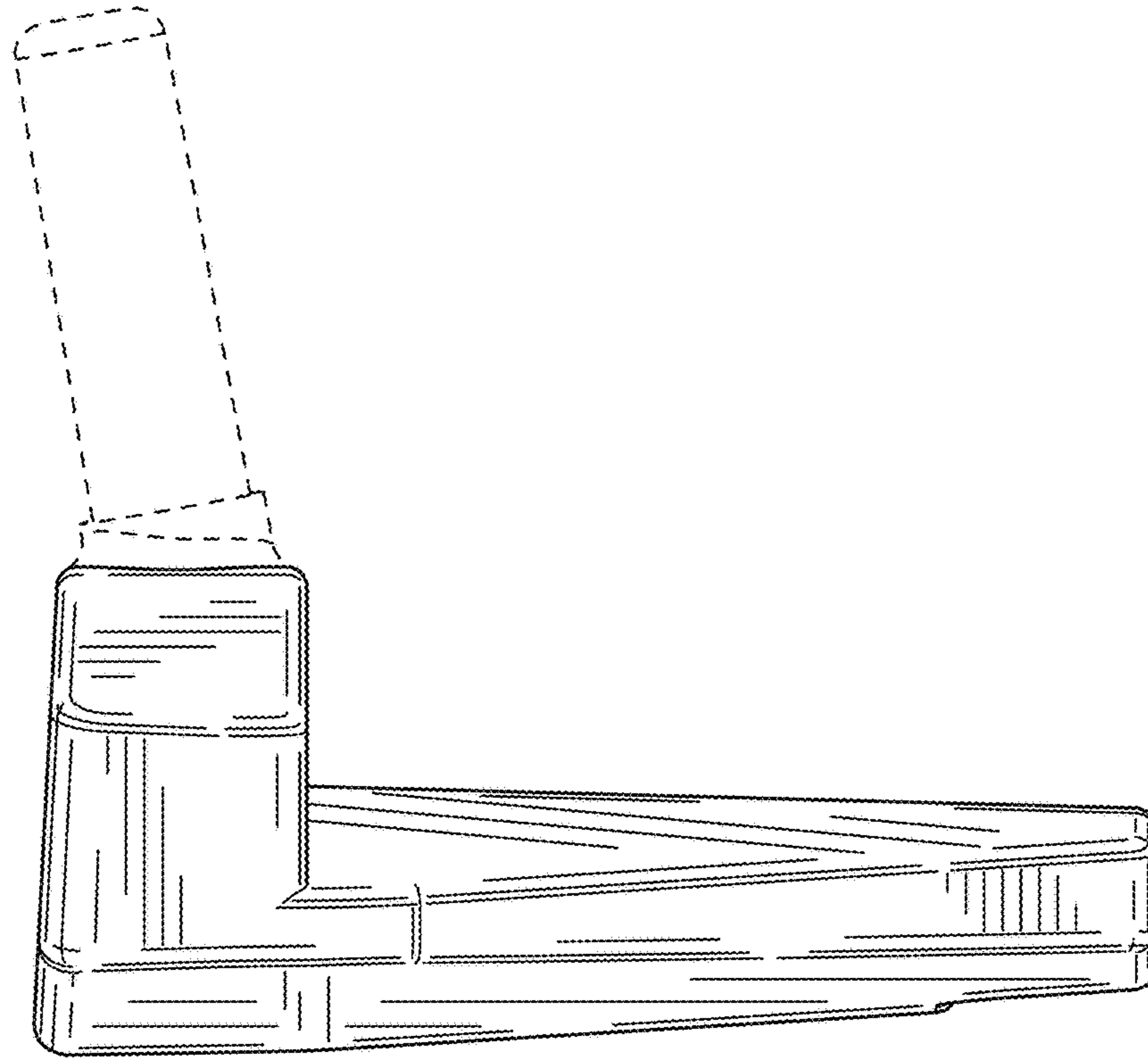


FIG. 31

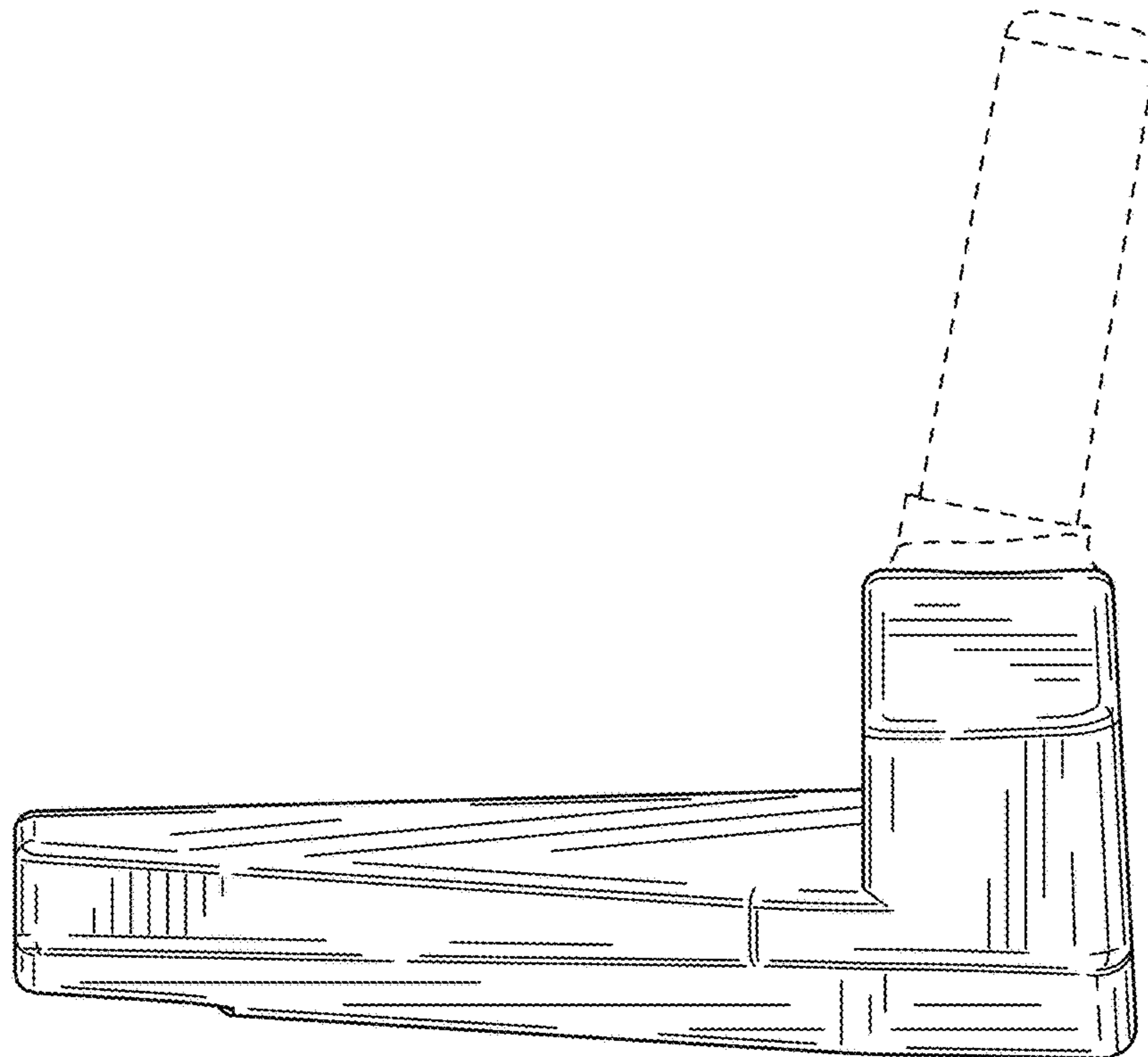


FIG. 32