



US00D812162S

(12) **United States Design Patent**
Hassey

(10) **Patent No.:** **US D812,162 S**
(45) **Date of Patent:** **** Mar. 6, 2018**

(54) **GOLF BALL RETRIEVER**
(71) Applicant: **John W. Hassey**, Anderson, SC (US)
(72) Inventor: **John W. Hassey**, Anderson, SC (US)
(**) Term: **15 Years**
(21) Appl. No.: **29/591,311**
(22) Filed: **Jan. 19, 2017**
(51) **LOC (11) Cl.** **21-02**
(52) **U.S. Cl.**
USPC **D21/721; D21/759**
(58) **Field of Classification Search**
USPC D21/753, 756-759, 789, 722, 721
CPC A63B 47/02; A63B 53/007; A63B 53/14;
A63B 60/00; A63B 60/46; A63B 60/16;
A63B 57/50; A63B 2225/05
See application file for complete search history.

D553,705 S * 10/2007 Barouh D21/721
7,390,268 B2 * 6/2008 Merriman A63B 47/02
294/19.2
D575,365 S * 8/2008 Duhon D21/721
D651,267 S * 12/2011 Corcoran D21/721
8,382,173 B2 * 2/2013 Bingham A63B 47/02
294/19.2
8,801,534 B1 * 8/2014 Rydberg A63B 47/02
473/286
8,844,990 B2 * 9/2014 Bingham A63B 47/02
294/19.2
8,845,447 B2 * 9/2014 Gardiner A63B 47/02
473/282
2002/0169030 A1 * 11/2002 Chun-Sheng A63B 47/02
473/286
2003/0083142 A1 * 5/2003 Nam A63B 47/02
473/286

(Continued)

Primary Examiner — Mitchell I. Siegel
(74) *Attorney, Agent, or Firm* — McNair Law Firm, P.A.;
Douglas L. Lineberry

(57) **CLAIM**

The ornamental design for a golf ball retriever, as shown and described.

DESCRIPTION

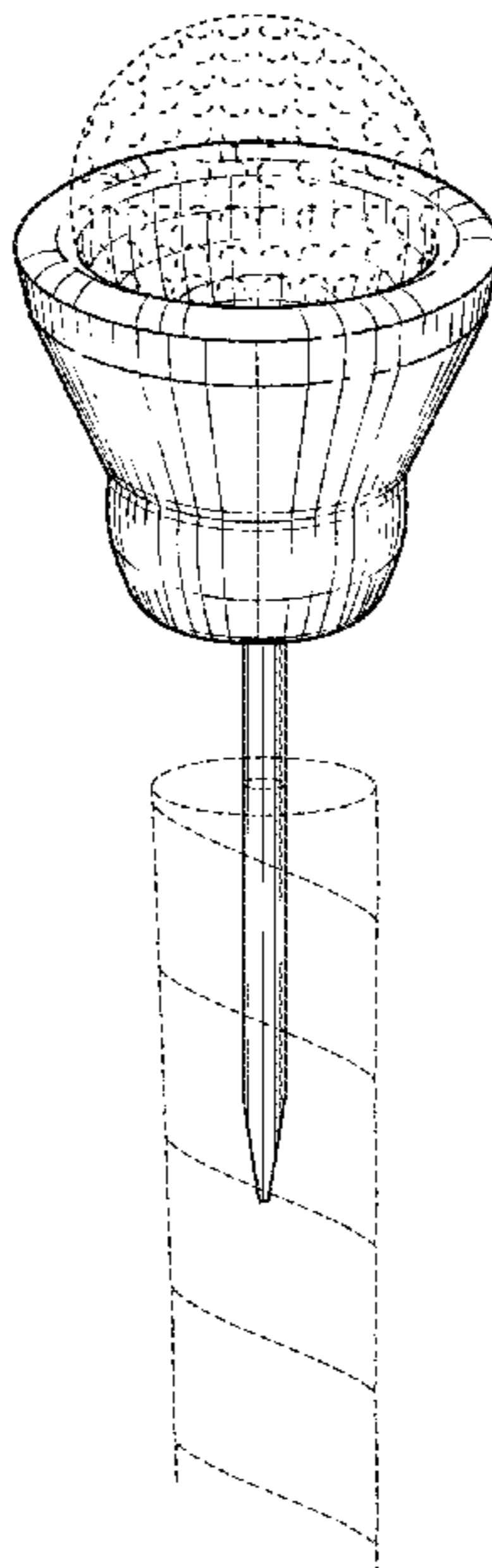
FIG. 1 is a front perspective view of the golf ball retriever shown with an unclaimed golf ball and unclaimed fragmented handle;
FIG. 2 is a back perspective view of the golf ball retriever;
FIG. 3 is a bottom perspective view of the golf ball retriever;
FIG. 4 is a side elevation view of the golf ball retriever;
FIG. 5 is a top plan view of the golf ball retriever; and,
FIG. 6 is a bottom plan view of the golf ball retriever.
The broken line showing of the golf ball and fragmented shaft on FIG. 1 is for illustrative purposes only and forms no part of the claimed design.

1 Claim, 3 Drawing Sheets

(56) **References Cited**

U.S. PATENT DOCUMENTS

1,380,526 A * 6/1921 Carpenter A63B 47/02
294/19.2
1,830,520 A * 11/1931 Moyses A63B 47/02
294/187
2,819,108 A * 1/1958 Borah A63B 47/02
294/187
D195,629 S * 7/1963 Borah D21/721
5,328,174 A * 7/1994 Reeder A63B 53/12
473/239
6,638,177 B1 * 10/2003 Wang A63B 47/02
294/19.2
D497,656 S * 10/2004 Maraschiello D21/721
6,899,635 B2 * 5/2005 Nadratowski A63B 47/02
294/19.2
D522,078 S * 5/2006 De Gruccio D21/721
D524,886 S * 7/2006 Baril D21/721
D544,934 S * 6/2007 De Gruccio D21/721



(56)

References Cited

U.S. PATENT DOCUMENTS

2004/0166955 A1* 8/2004 Nadratowski A63B 47/02
473/286

* cited by examiner

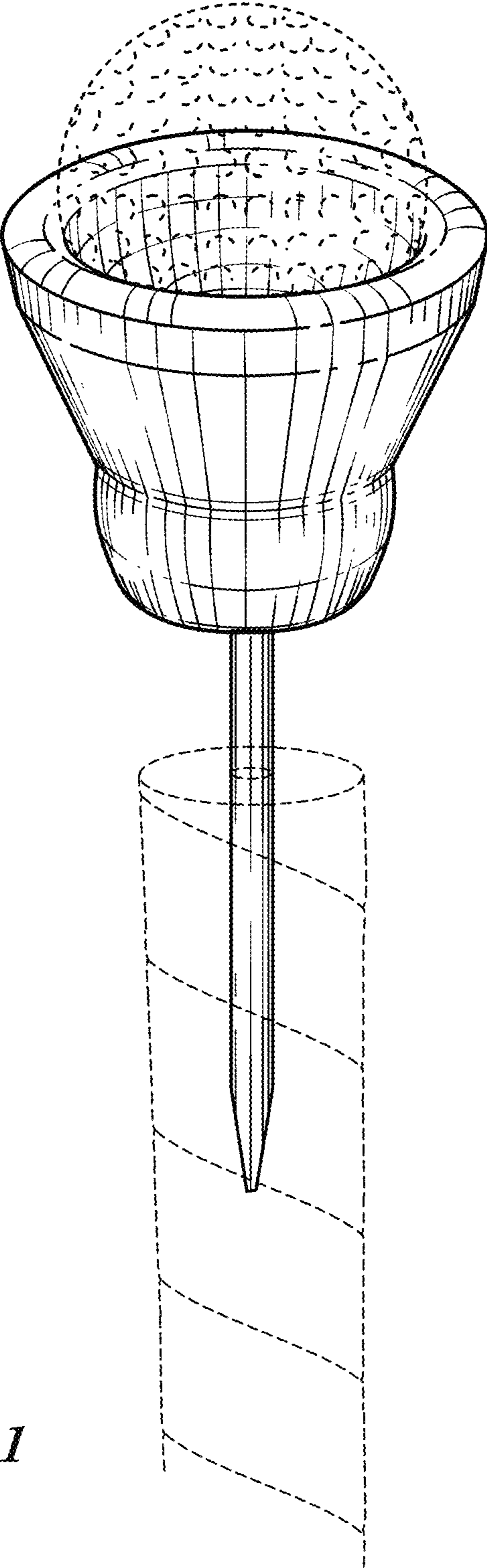


Fig. 1

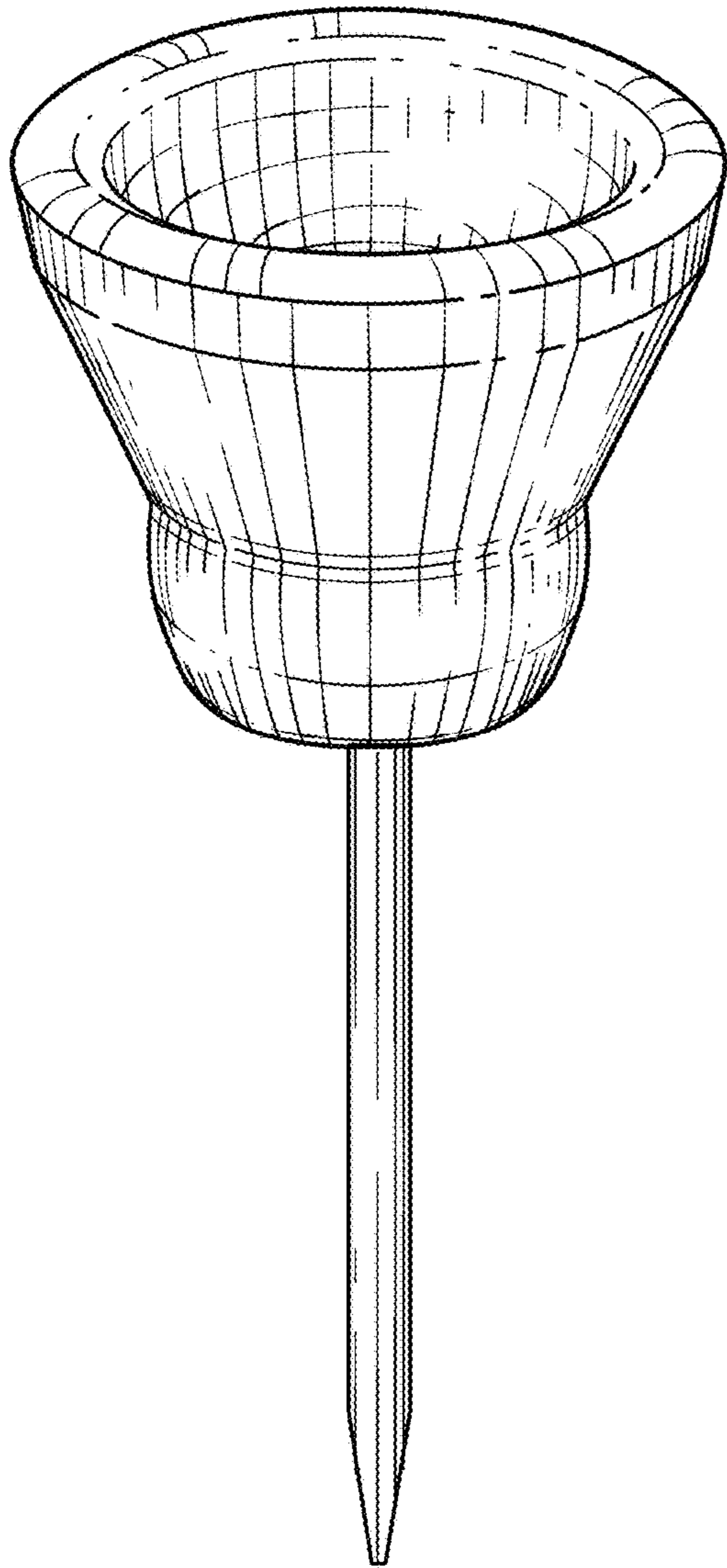


Fig. 2

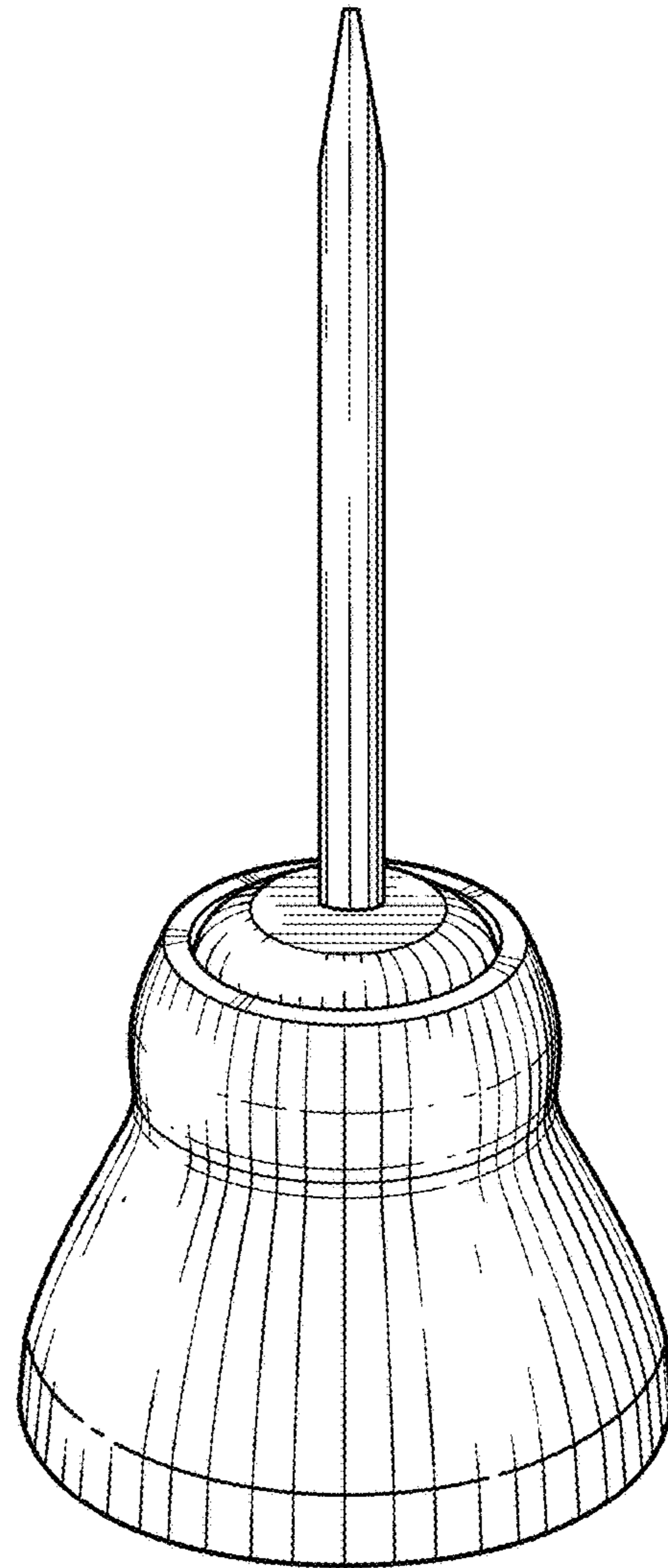


Fig. 3

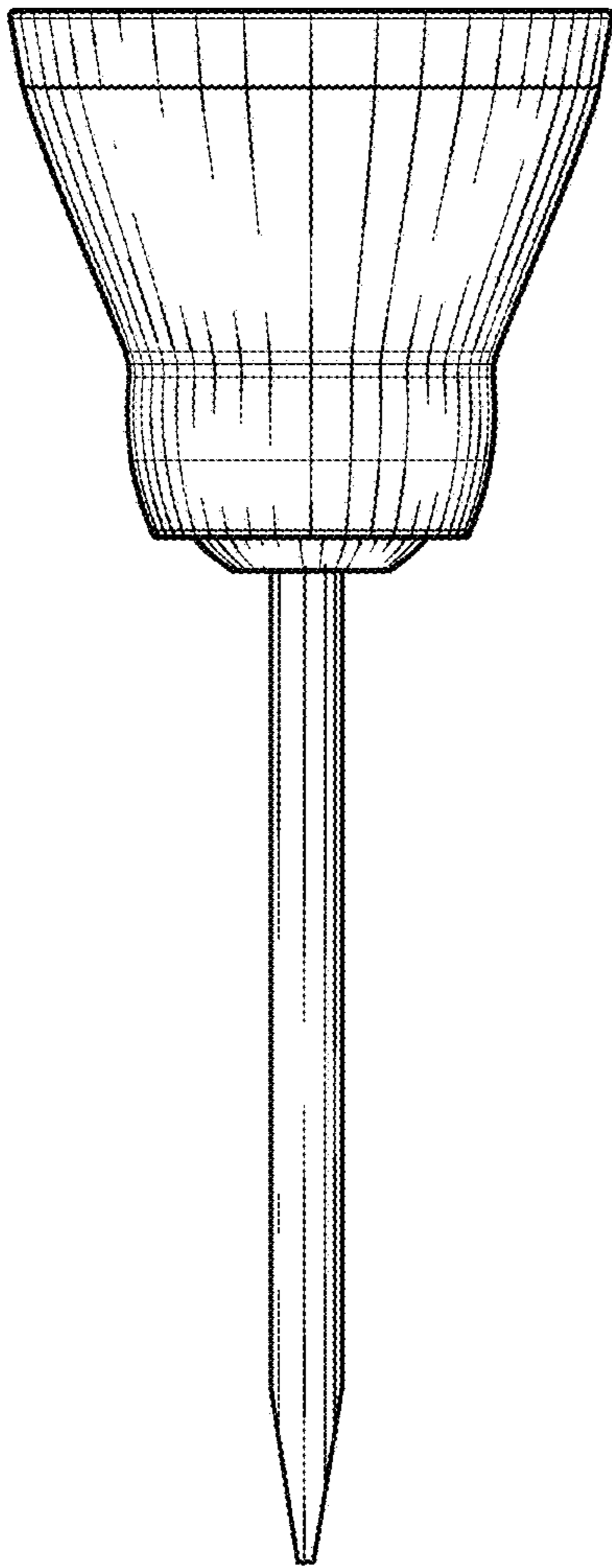


Fig. 4

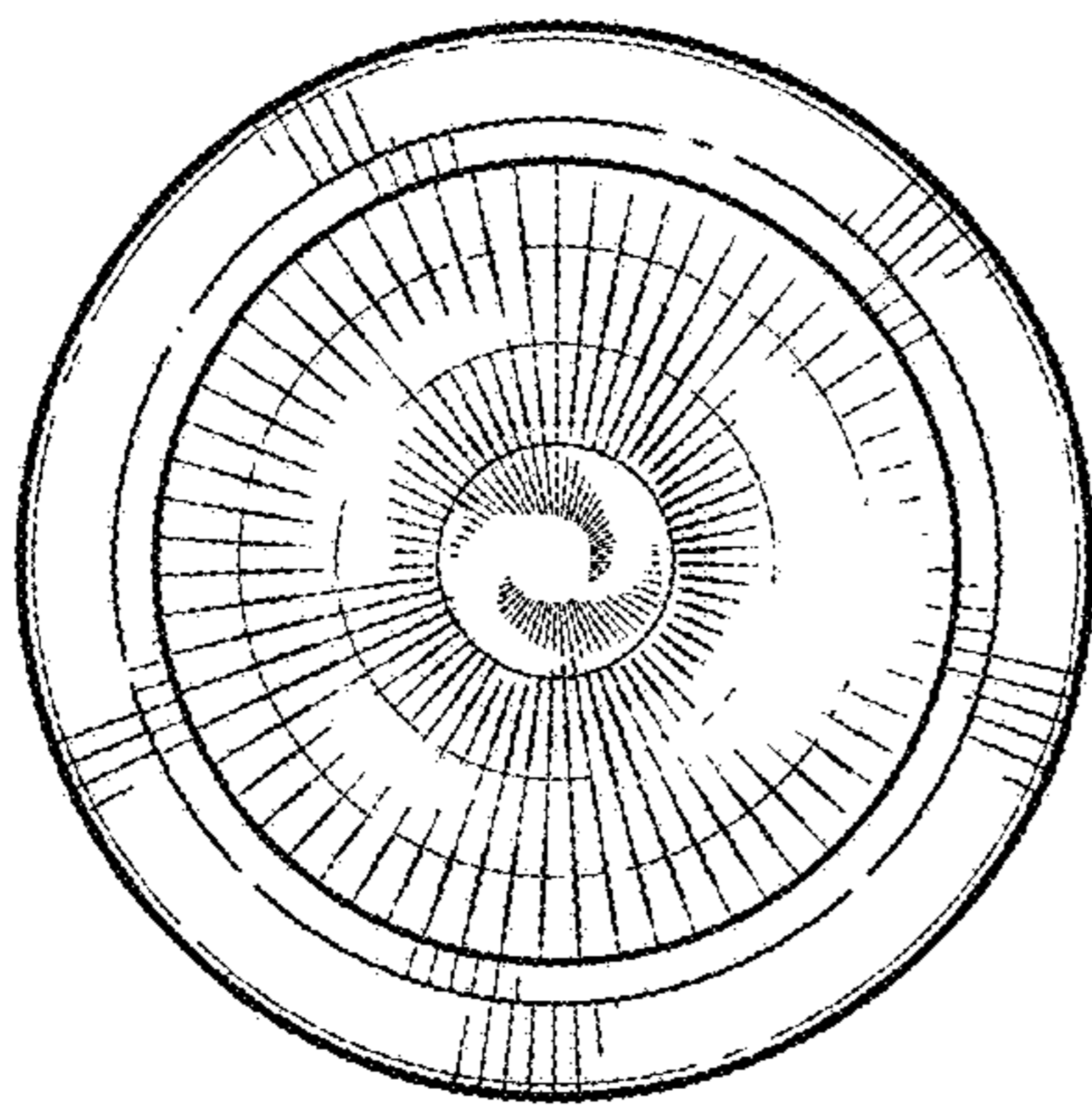


Fig. 5

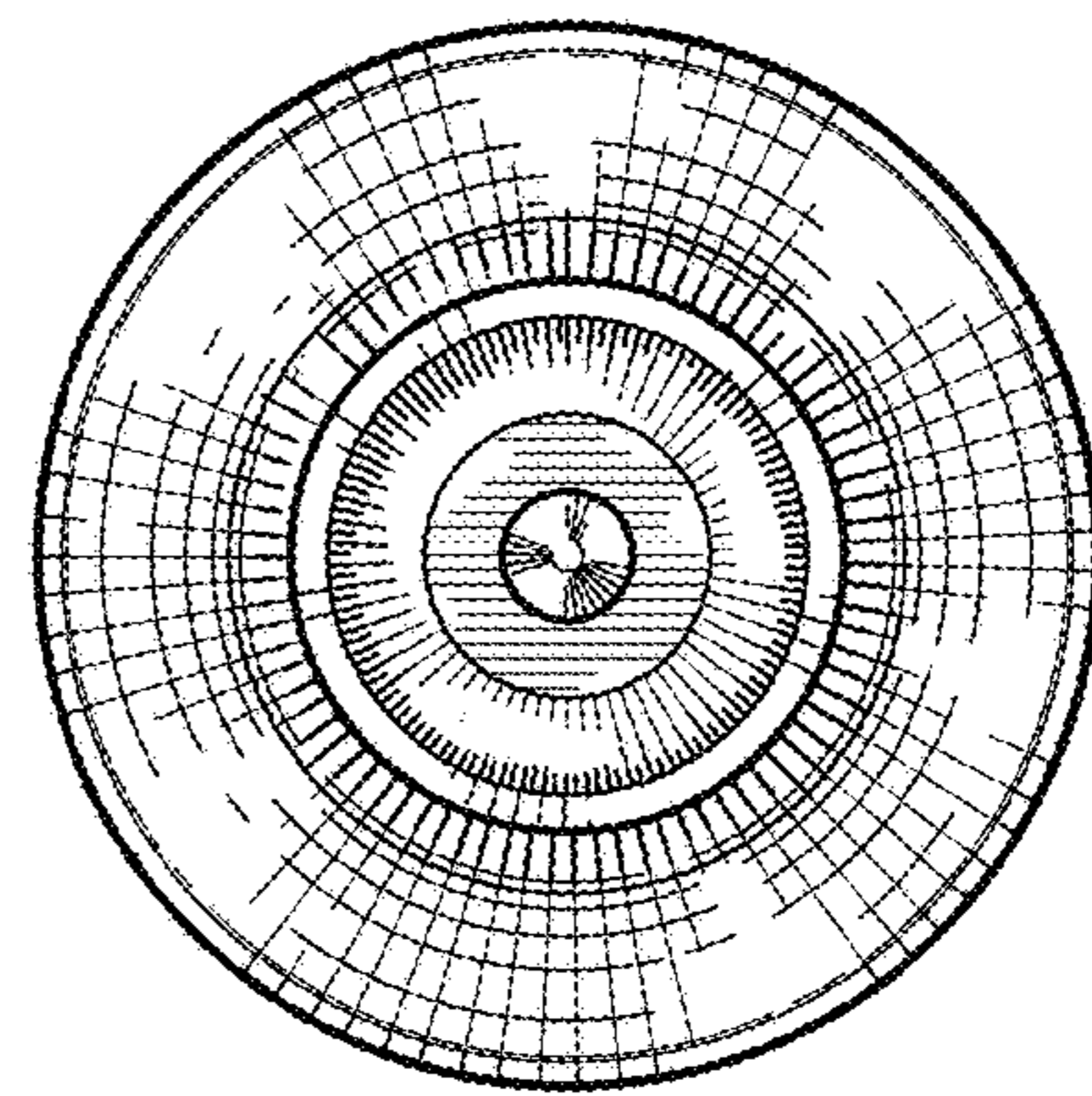


Fig. 6