



US00D812161S

(12) **United States Design Patent**
Foley

(10) **Patent No.:** **US D812,161 S**
(45) **Date of Patent:** **** Mar. 6, 2018**

- (54) **BALL TEE**
- (71) Applicant: **Scott Foley**, Fullerton, CA (US)
- (72) Inventor: **Scott Foley**, Fullerton, CA (US)
- (**) Term: **15 Years**
- (21) Appl. No.: **29/592,171**
- (22) Filed: **Jan. 27, 2017**

- D415,542 S * 10/1999 Luther, Sr. D21/718
 - 6,267,235 B1 * 7/2001 Matias A63B 57/10
206/315.1
 - 6,692,383 B1 * 2/2004 Heron A63B 57/10
473/398
 - D491,619 S * 6/2004 Crouse A63B 57/16
D21/718
 - 6,849,008 B1 * 2/2005 Wang A63B 57/10
473/401
 - D629,474 S * 12/2010 Keogh D21/718
 - D752,696 S * 3/2016 Foley D21/718
- (Continued)

Related U.S. Application Data

- (62) Division of application No. 29/521,415, filed on Mar. 23, 2015, now Pat. No. Des. 779,005.
- (51) **LOC (11) Cl.** **21-02**
- (52) **U.S. Cl.**
USPC **D21/718**
- (58) **Field of Classification Search**
USPC D21/715-719, 789-796; 473/417,
473/387-407
CPC A63B 57/0032; A63B 57/10; A63B 57/12;
A63B 57/13; A63B 57/15; A63B 57/16;
A63B 57/18; A63B 57/19; A63B 57/20;
A63B 57/207; A63B 57/30; A63B
69/0073; A63B 69/0075; A63B 69/3661;
A63B 69/3664
See application file for complete search history.

FOREIGN PATENT DOCUMENTS

- CA 47009 * 6/1980
 - GB 191304346 A * 0/1913 A63B 57/0012
- (Continued)

Primary Examiner — Catherine A Tuttle
(74) *Attorney, Agent, or Firm* — The Law Office of Austin Bonderer, PC; Austin Bonderer

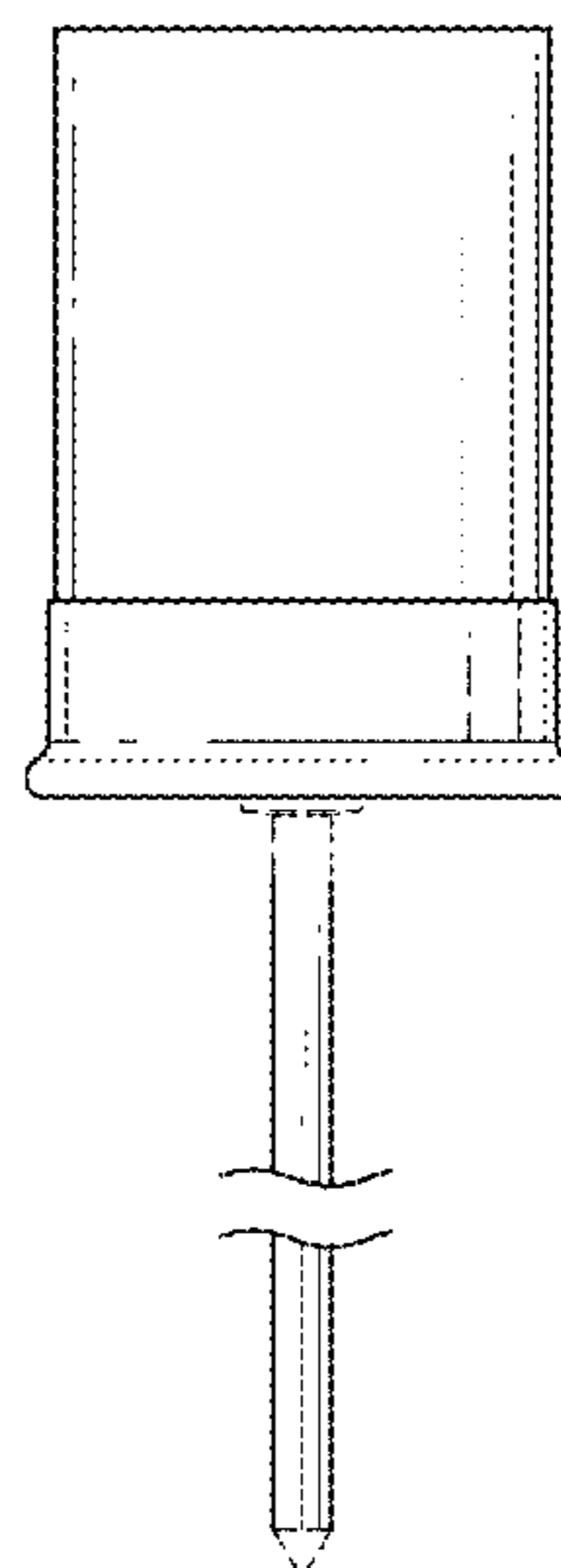
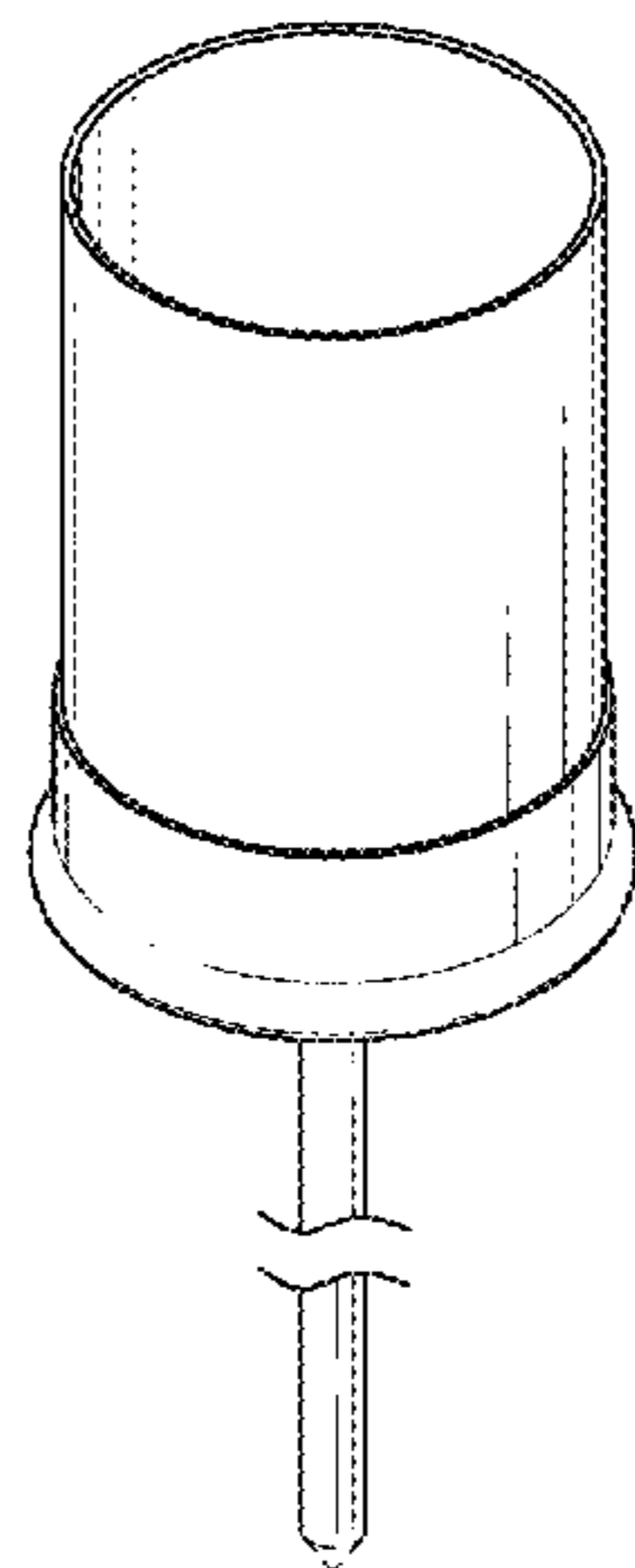
(57) **CLAIM**

The ornamental design for a ball tee device, as shown and described.

DESCRIPTION

FIG. 1 is an upper perspective view of the ball tee showing my new design;
FIG. 2 is a lower perspective view thereof;
FIG. 3 is a side elevational view thereof;
FIG. 4 is another side elevational view thereof, rotated 90° from FIG. 3;
FIG. 5 is a top plan view thereof; and,
FIG. 6 is a bottom plan view thereof.
The broken lines are included for the purpose of illustrating the portions of the ball tee that form no part of the claimed design. The appearance of any portion of the ball tee between the break lines forms no part of the claimed design.

1 Claim, 2 Drawing Sheets



(56)

References Cited

U.S. PATENT DOCUMENTS

D779,005 S * 2/2017 Foley D21/718
2006/0100037 A1* 5/2006 Pels A63B 57/10
473/387
2006/0217217 A1* 9/2006 Mundziakiewicz ... A63B 57/10
473/396
2006/0264272 A1* 11/2006 Calderon, Jr. A63B 57/10
473/387
2007/0184919 A1* 8/2007 Costantini A63B 57/10
473/387
2008/0274836 A1* 11/2008 Lee A63B 57/10
473/391
2012/0028735 A1* 2/2012 Klein A63B 57/10
473/398
2012/0046121 A1* 2/2012 Schubert A63B 57/10
473/278

FOREIGN PATENT DOCUMENTS

GB 238599 A * 8/1925 A63B 57/10
GB 4018936 * 3/2011
JP 2007252855 A * 10/2007
WO WO 2013112127 A1 * 8/2013 A63B 57/10

* cited by examiner

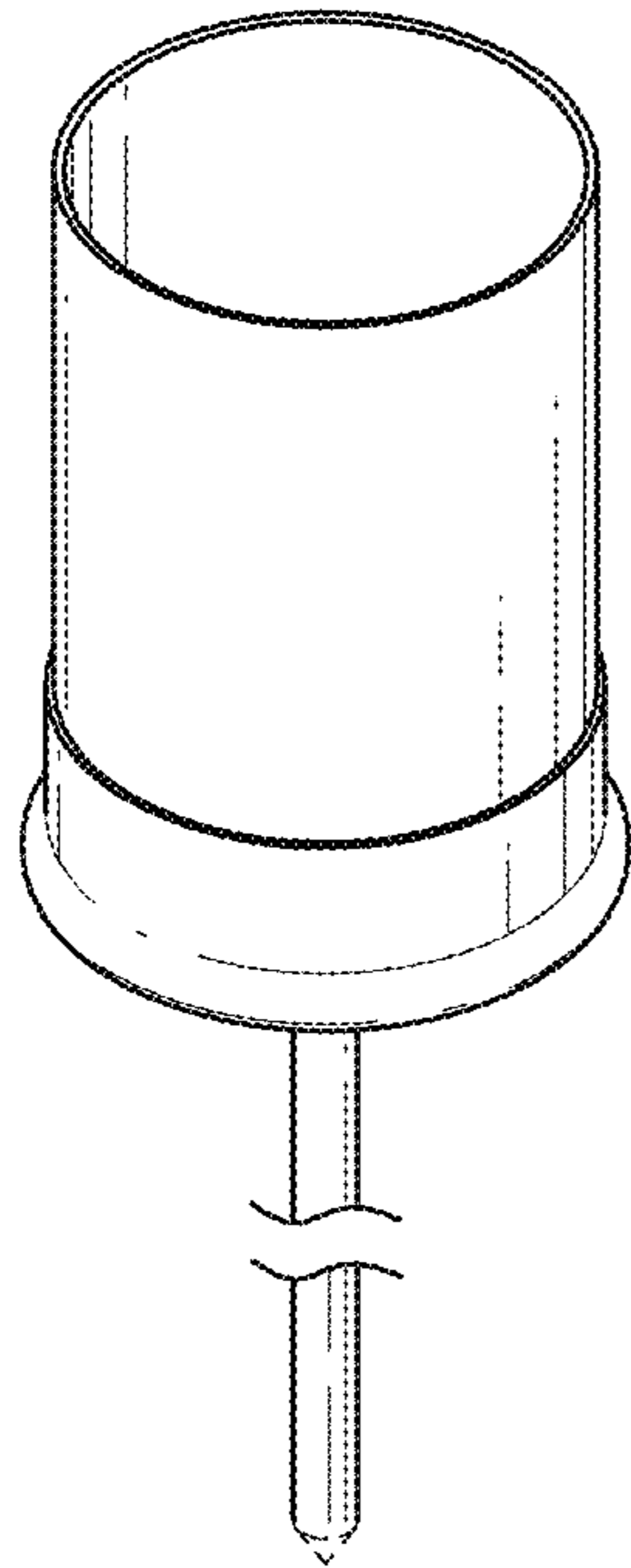


FIG. 1

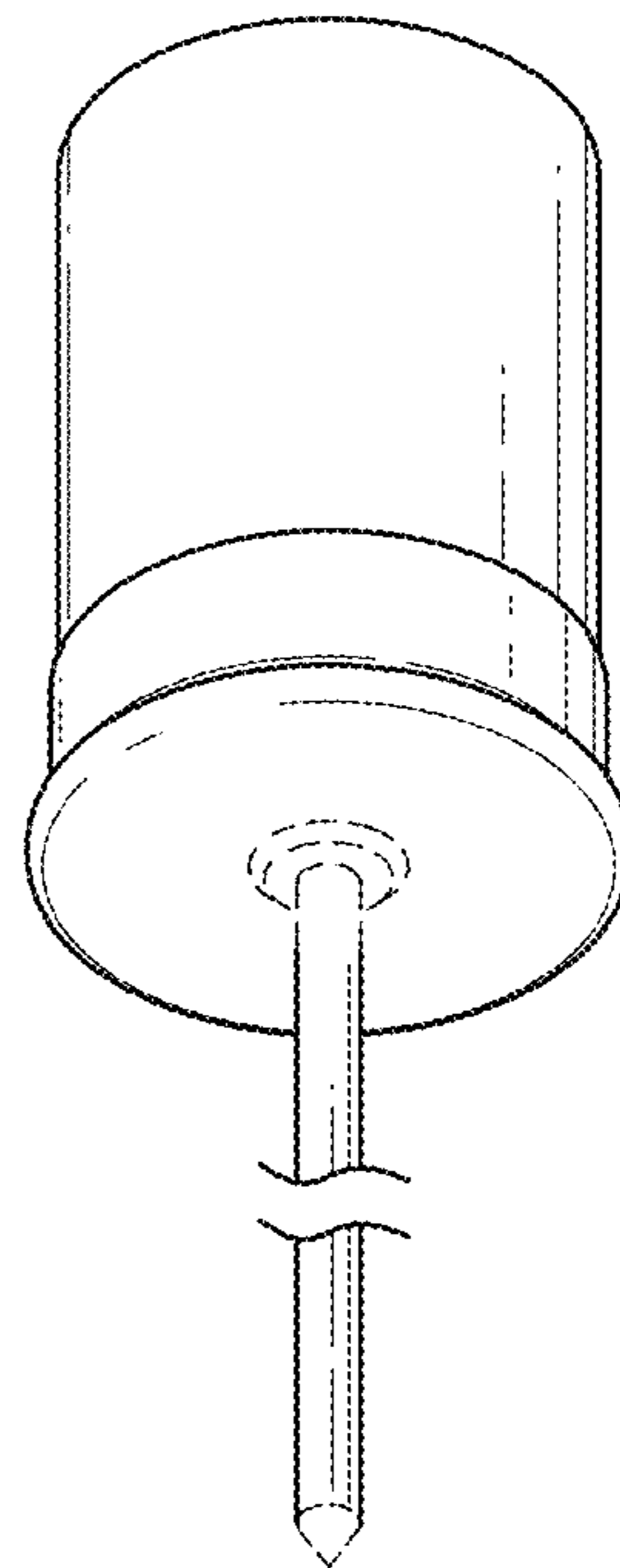


FIG. 2

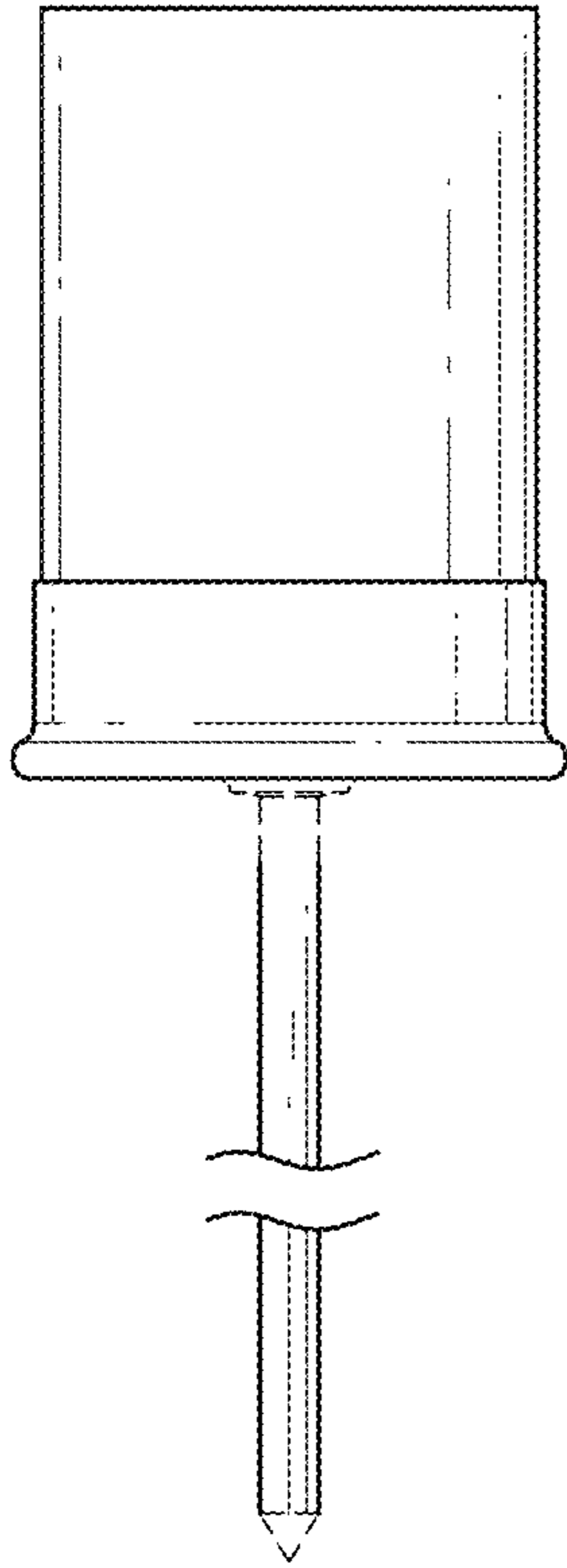


FIG. 3

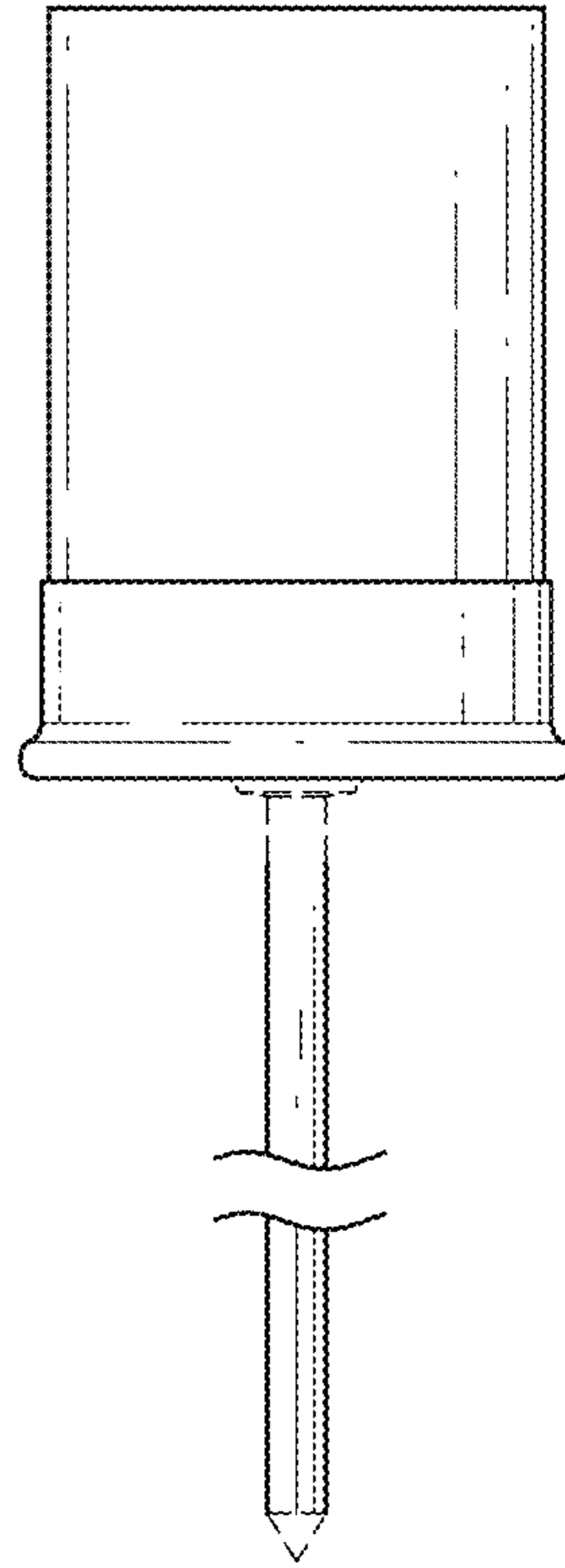


FIG. 4

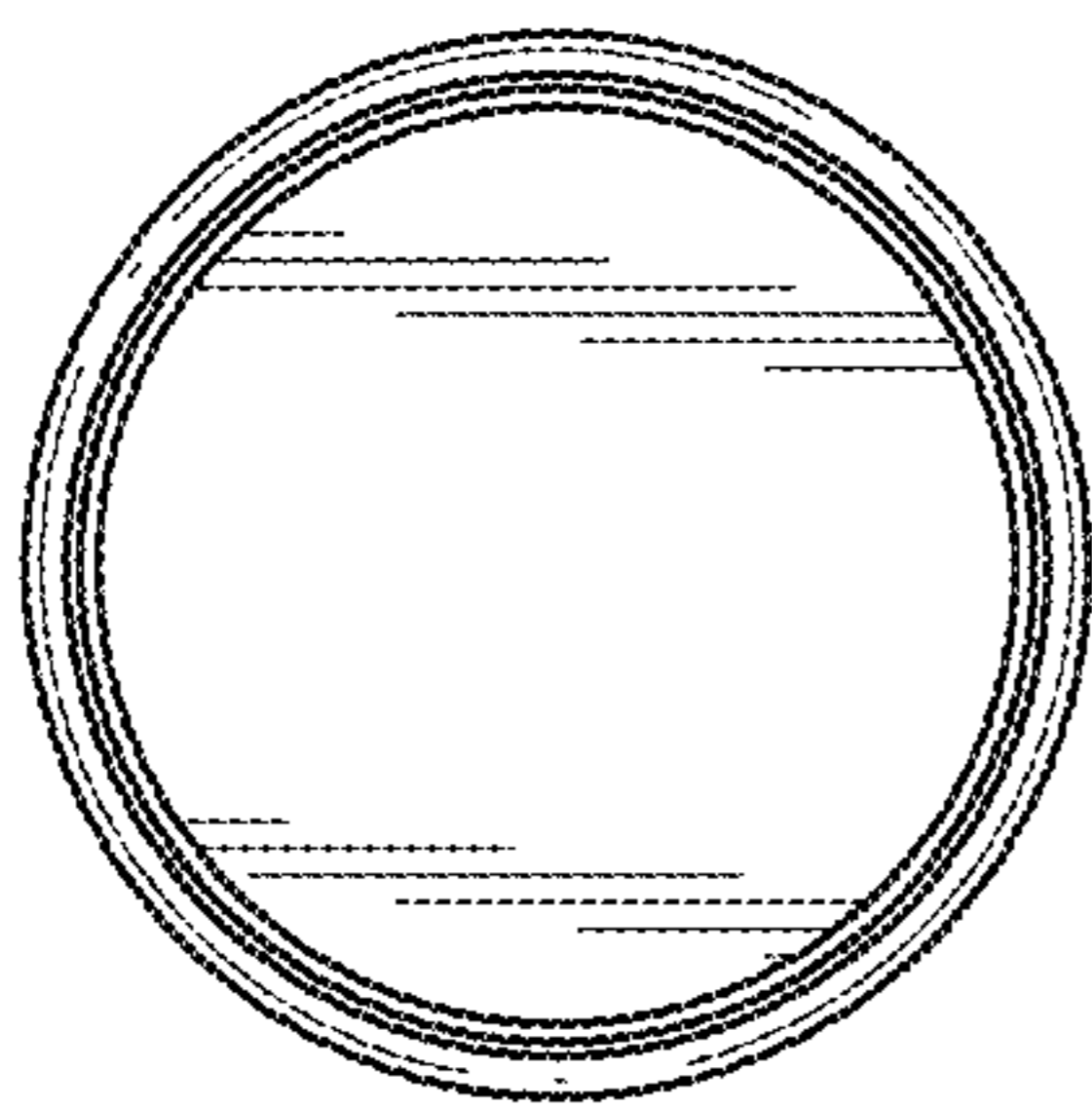


FIG. 5

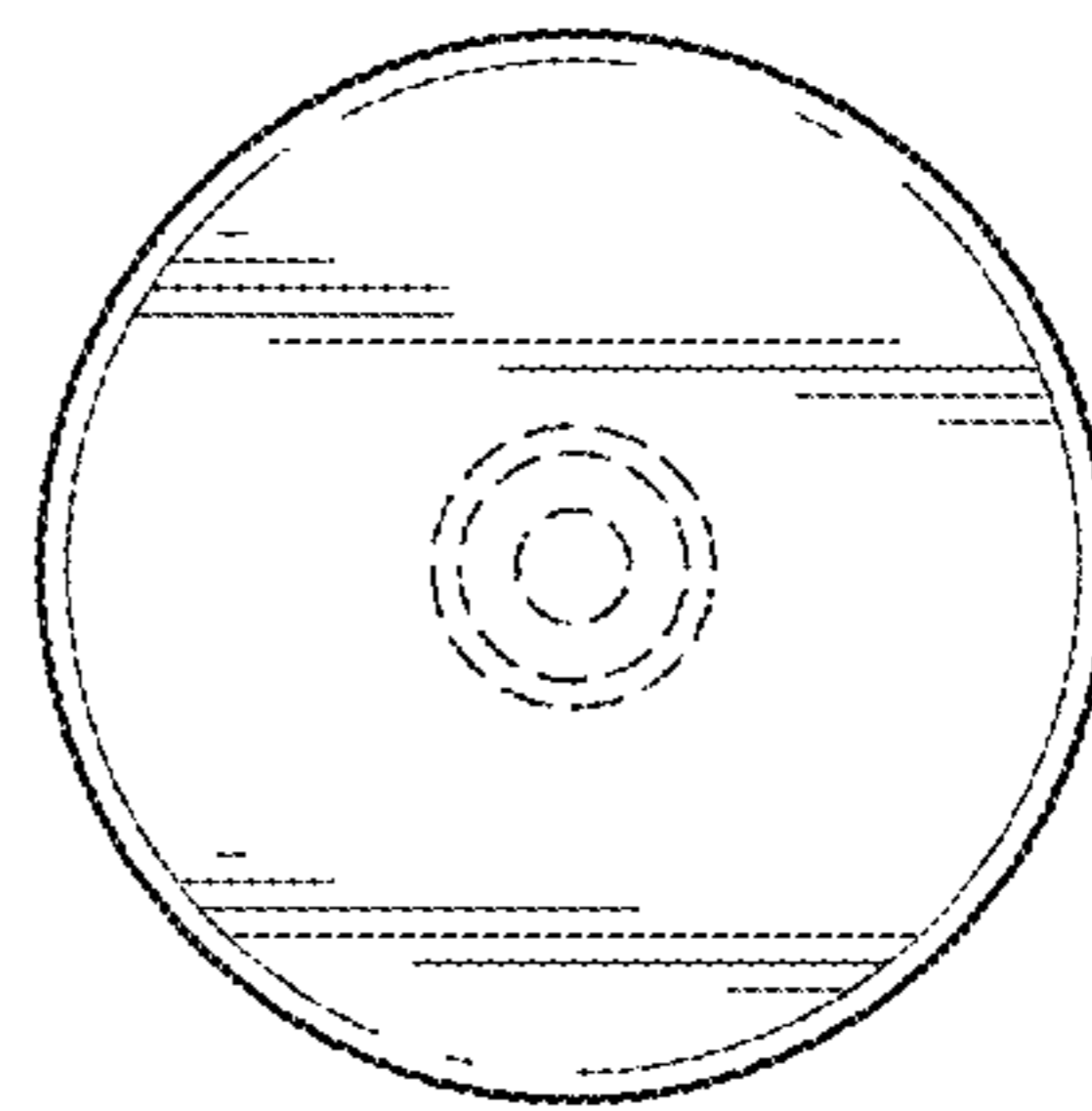


FIG. 6