



US00D812159S

(12) **United States Design Patent**
Campanaro et al.

(10) **Patent No.:** **US D812,159 S**
(45) **Date of Patent:** **** Mar. 6, 2018**

(54) **PUSH-UP EXERCISE BENCH**

(56) **References Cited**

(71) Applicant: **Total Gym Global Corp.**, San Diego, CA (US)

U.S. PATENT DOCUMENTS

(72) Inventors: **Thomas J. Campanaro**, Rancho Santa Fe, CA (US); **Jesse Thomas Campanaro**, San Diego, CA (US); **Dan McCutcheon**, San Diego, CA (US)

4,004,801	A *	1/1977	Campanaro	A61H 1/0218 403/14
D283,530	S *	4/1986	Smith	D21/674
D287,388	S *	12/1986	Cheng	D21/674
D297,853	S *	9/1988	Ostrom	D21/674
4,911,438	A *	3/1990	Van Straaten	A63B 21/068 482/130
5,300,005	A *	4/1994	Wang	A63B 21/4047 482/142
5,620,403	A *	4/1997	Lundin	A63B 21/0552 482/130
5,938,571	A *	8/1999	Stevens	A63B 21/068 482/135
D477,372	S *	7/2003	Garner	D21/690
D483,082	S *	12/2003	Toole	D21/662
6,692,412	B2 *	2/2004	Chen	A63B 21/068 482/132
6,767,314	B2 *	7/2004	Thompson	A63B 21/068 482/135
D629,053	S *	12/2010	Tsai	D21/674
D694,347	S *	11/2013	Campanaro	D21/676

(73) Assignee: **Total Gym Global Corp.**, Carlsbad, CA (US)

(**) Term: **15 Years**

(21) Appl. No.: **29/574,531**

(22) Filed: **Aug. 16, 2016**

Related U.S. Application Data

(63) Continuation of application No. 14/193,231, filed on Feb. 28, 2014, now abandoned.

(51) **LOC (11) Cl.** **21-02**

(52) **U.S. Cl.**
USPC **D21/690**

(58) **Field of Classification Search**
USPC D21/690, 676, 687, 674, 673, 675, 689;
482/140, 142, 126, 144, 92, 143, 123,
482/133, 138, 95, 131, 130, 135, 72, 52,
482/57, 93, 96, 127, 100, 118, 136, 97,
482/112, 9

CPC A63B 23/0211; A63B 2208/0233; A63B
21/4047; A63B 21/068; A63B 21/0628;
A63B 23/0233; A63B 21/4035; A63B
23/0227; A63B 23/0216; A63B
2208/0252; A63B 23/0405; A63B
21/4029; A63B 21/0004

See application file for complete search history.

(Continued)

Primary Examiner — Robert M. Spear

Assistant Examiner — Ryan Harvey

(74) *Attorney, Agent, or Firm* — Procopio Cory
Hargreaves and Savitch LLP

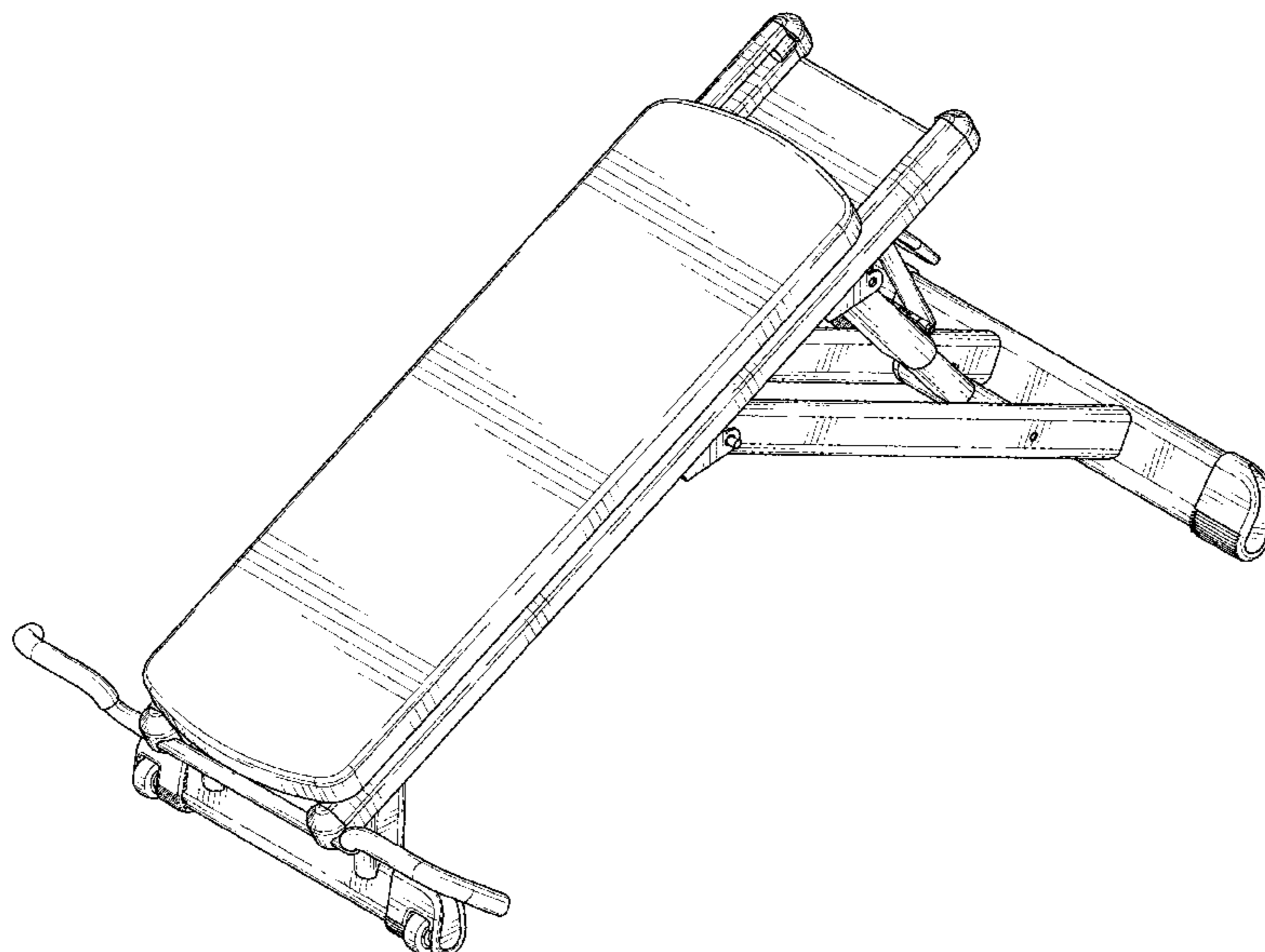
(57) **CLAIM**

The ornamental design for a push-up exercise bench, as shown and described.

DESCRIPTION

FIG. 1 is a perspective view of the push-up exercise bench; FIG. 2 is a top plan view of the push-up exercise bench; and, FIG. 3 is a front elevation view of the push-up exercise bench, the rear elevation view being a mirror image thereof.

1 Claim, 3 Drawing Sheets



(56)

References Cited

U.S. PATENT DOCUMENTS

D734,409 S * 7/2015 Campanaro D21/686
D741,420 S * 10/2015 Campanaro D21/674
D788,861 S * 6/2017 Campanaro D21/674
9,764,186 B2 * 9/2017 Dalebout A63B 22/0076
9,770,622 B2 * 9/2017 Campanaro A63B 21/00065
2008/0161173 A1 * 7/2008 Campanaro A63B 21/068
482/133
2008/0200317 A1 * 8/2008 Campanaro A63B 21/068
482/140
2010/0292059 A1 * 11/2010 Eschenbach A63B 21/068
482/140
2010/0311555 A1 * 12/2010 Campanaro A63B 21/068
482/142
2014/0194260 A1 * 7/2014 Campanaro A63B 21/068
482/131
2015/0246263 A1 * 9/2015 Campanaro A63B 23/03566
482/52
2016/0059061 A1 * 3/2016 Lagree A63B 21/00065
482/92
2016/0107023 A1 * 4/2016 Campanaro A63B 22/0087
482/72

* cited by examiner

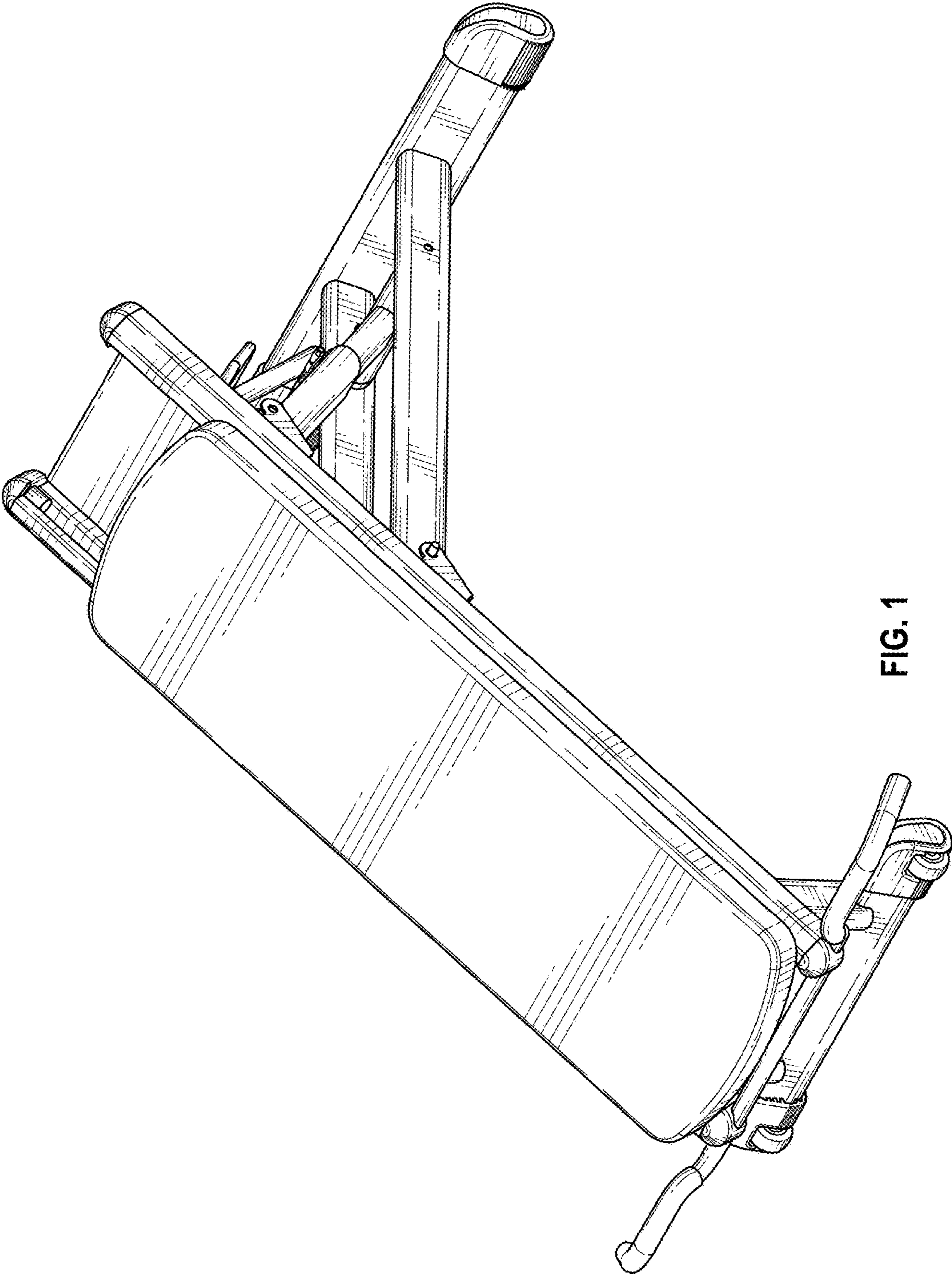


FIG. 1

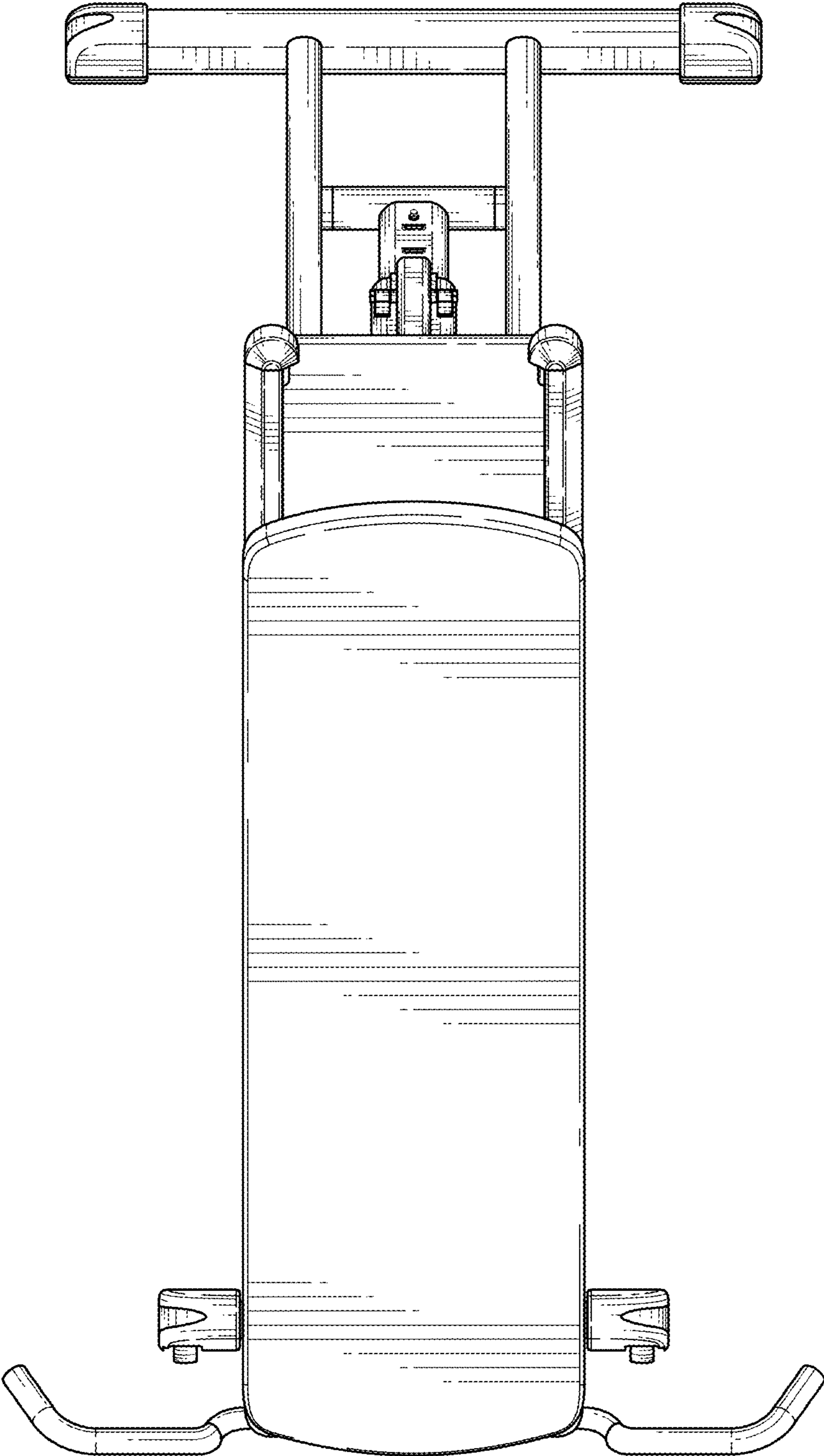


FIG. 2

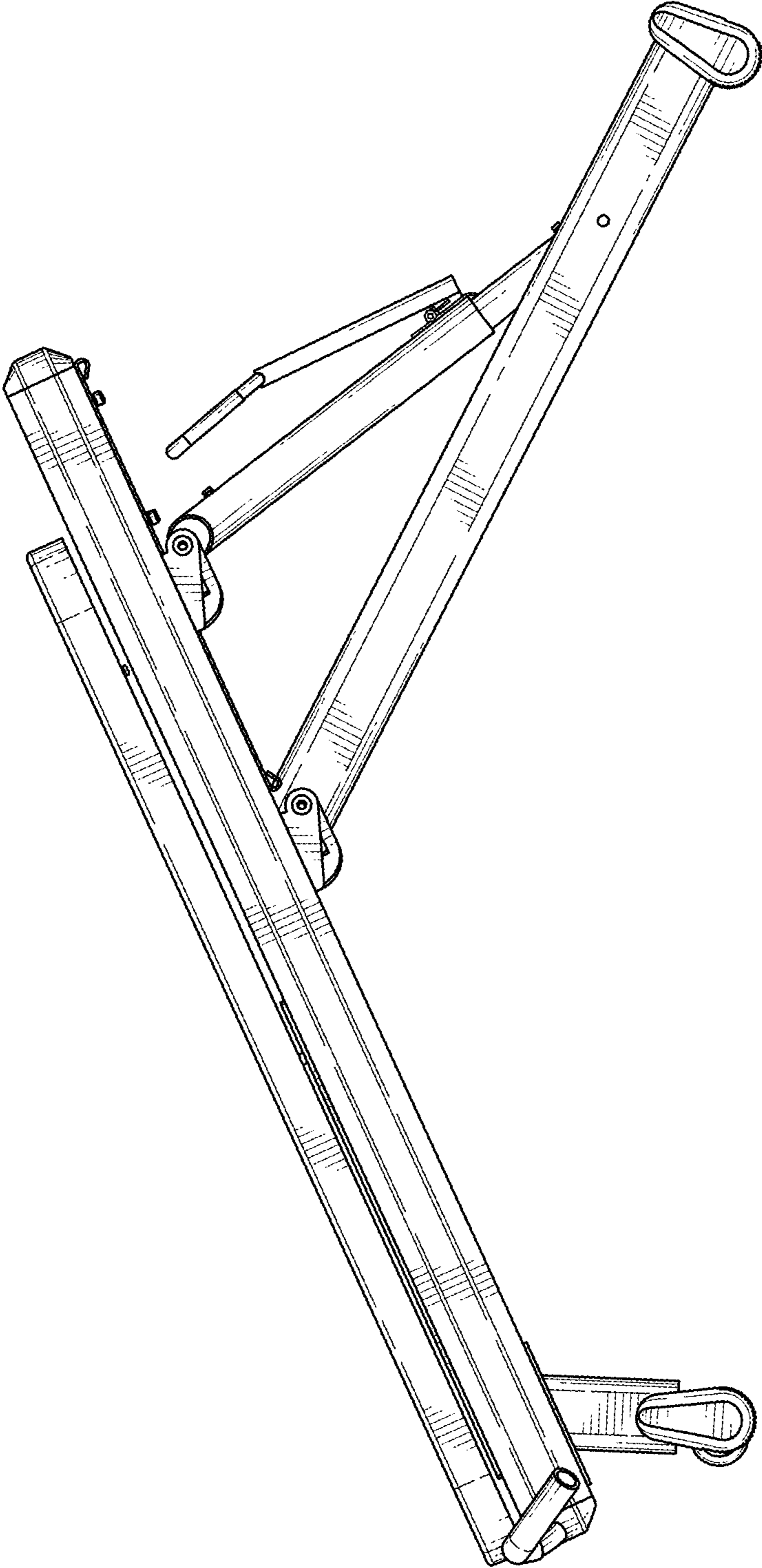


FIG. 3