



US00D812158S

(12) **United States Design Patent** (10) **Patent No.:** **US D812,158 S**  
**Campanaro et al.** (45) **Date of Patent:** **\*\* Mar. 6, 2018**

(54) **PULL-UP EXERCISE BENCH**

2208/0252; A63B 23/0405; A63B 21/4029; A63B 21/0004

(71) Applicant: **Total Gym Global Corp.**, San Diego, CA (US)

See application file for complete search history.

(72) Inventors: **Thomas J. Campanaro**, Rancho Santa Fe, CA (US); **Jesse Thomas Campanaro**, San Diego, CA (US); **Dan McCutcheon**, San Diego, CA (US)

(56) **References Cited**

U.S. PATENT DOCUMENTS

(73) Assignee: **Total Gym Global Corp.**, Carlsbad, CA (US)

4,004,801	A *	1/1977	Campanaro	.....	A61H 1/0218
					403/14
D283,530	S *	4/1986	Smith	.....	D21/674
D287,388	S *	12/1986	Cheng	.....	D21/674
D297,853	S *	9/1988	Ostrom	.....	D21/674
4,911,438	A *	3/1990	Van Straaten	.....	A63B 21/068
					482/130
5,300,005	A *	4/1994	Wang	.....	A63B 21/4047
					482/142
5,620,403	A *	4/1997	Lundin	.....	A63B 21/0552
					482/130
5,938,571	A *	8/1999	Stevens	.....	A63B 21/068
					482/135
D477,372	S *	7/2003	Garner	.....	D21/690
D483,082	S *	12/2003	Toole	.....	D21/662
6,692,412	B2 *	2/2004	Chen	.....	A63B 21/068
					482/132
6,767,314	B2 *	7/2004	Thompson	.....	A63B 21/068
					482/135

(\*\*) Term: **15 Years**

(21) Appl. No.: **29/574,528**

(22) Filed: **Aug. 16, 2016**

**Related U.S. Application Data**

(63) Continuation of application No. 14/193,231, filed on Feb. 28, 2014, now abandoned.

(51) **LOC (11) Cl.** ..... **21-02**

(52) **U.S. Cl.**  
USPC ..... **D21/690**

(58) **Field of Classification Search**  
USPC ..... D21/690, 676, 687, 674, 673, 675, 689; 482/140, 142, 126, 144, 92, 143, 123, 482/133, 138, 95, 131, 130, 135, 72, 52, 482/57, 93, 96, 127, 100, 118, 136, 97, 482/112, 9  
CPC ..... A63B 23/0211; A63B 2208/0233; A63B 21/4047; A63B 21/068; A63B 21/0628; A63B 23/0233; A63B 21/4035; A63B 23/0227; A63B 23/0216; A63B

(Continued)

*Primary Examiner* — Robert M. Spear  
*Assistant Examiner* — Ryan Harvey  
(74) *Attorney, Agent, or Firm* — Procopio Cory Hargreaves and Savitch LLP

(57) **CLAIM**

The ornamental design for a pull-up exercise bench, as shown and described.

**DESCRIPTION**

FIG. 1 is a perspective view of the pull-up exercise bench; FIG. 2 is a bottom plan view of the pull-up exercise bench; FIG. 3 is a front elevation view of the pull-up exercise bench, the rear elevation view being a mirror image thereof; and,

(Continued)

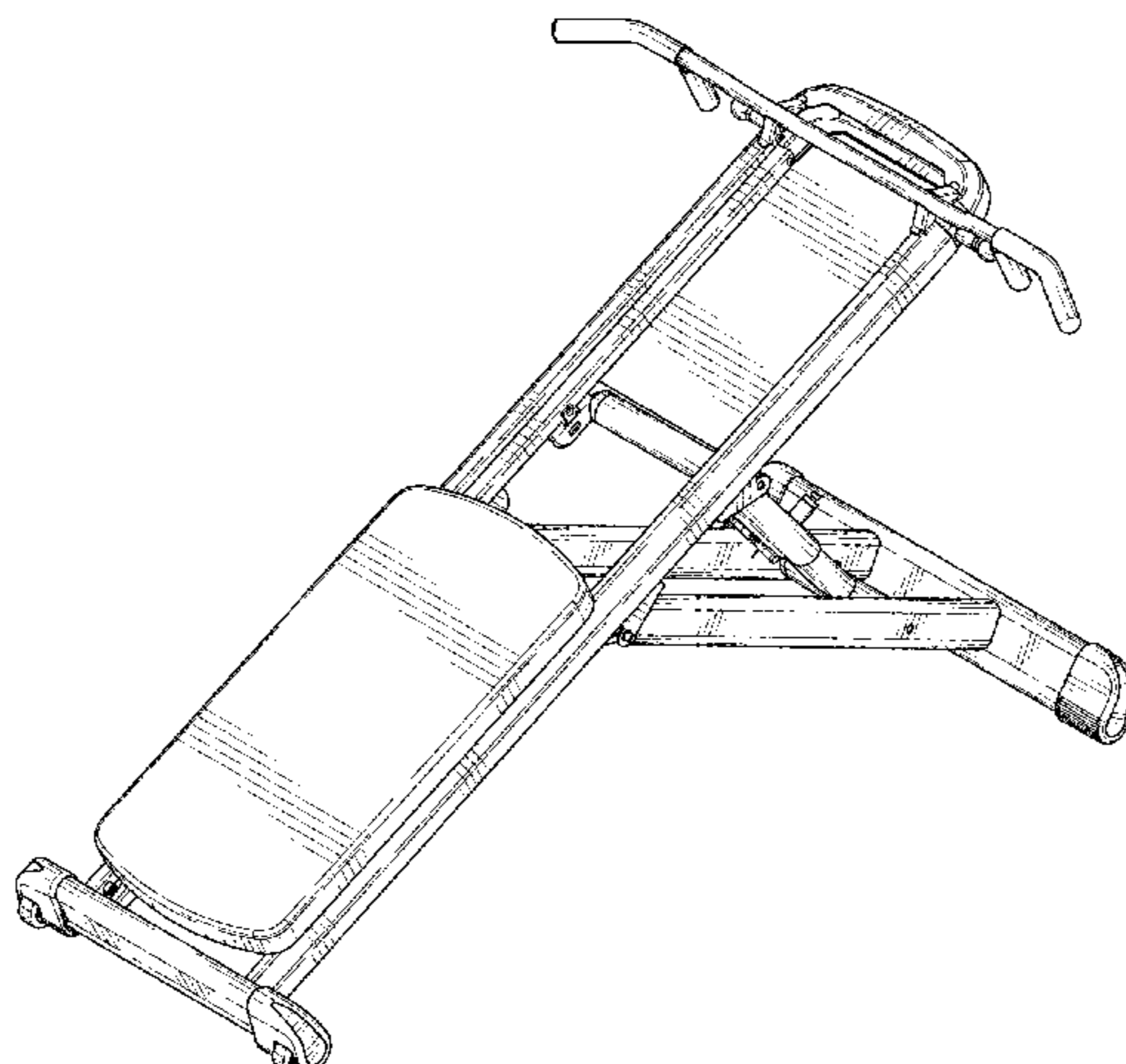


FIG. 4 is a right elevation view of the pull-up exercise bench.

**1 Claim, 4 Drawing Sheets**

(56)

**References Cited**

U.S. PATENT DOCUMENTS

D629,053	S *	12/2010	Tsai .....	D21/674
D694,347	S *	11/2013	Campanaro .....	D21/676
D734,409	S *	7/2015	Campanaro .....	D21/686
D741,420	S *	10/2015	Campanaro .....	D21/674
D788,861	S *	6/2017	Campanaro .....	D21/674
9,764,186	B2 *	9/2017	Dalebout .....	A63B 22/0076
9,770,622	B2 *	9/2017	Campanaro .....	A63B 21/00065
2008/0161173	A1 *	7/2008	Campanaro .....	A63B 21/068 482/133
2008/0200317	A1 *	8/2008	Campanaro .....	A63B 21/068 482/140
2010/0292059	A1 *	11/2010	Eschenbach .....	A63B 21/068 482/140
2010/0311555	A1 *	12/2010	Campanaro .....	A63B 21/068 482/142
2014/0194260	A1 *	7/2014	Campanaro .....	A63B 21/068 482/131
2015/0246263	A1 *	9/2015	Campanaro .....	A63B 23/03566 482/52
2016/0059061	A1 *	3/2016	Lagree .....	A63B 21/00065 482/92
2016/0107023	A1 *	4/2016	Campanaro .....	A63B 22/0087 482/72

\* cited by examiner

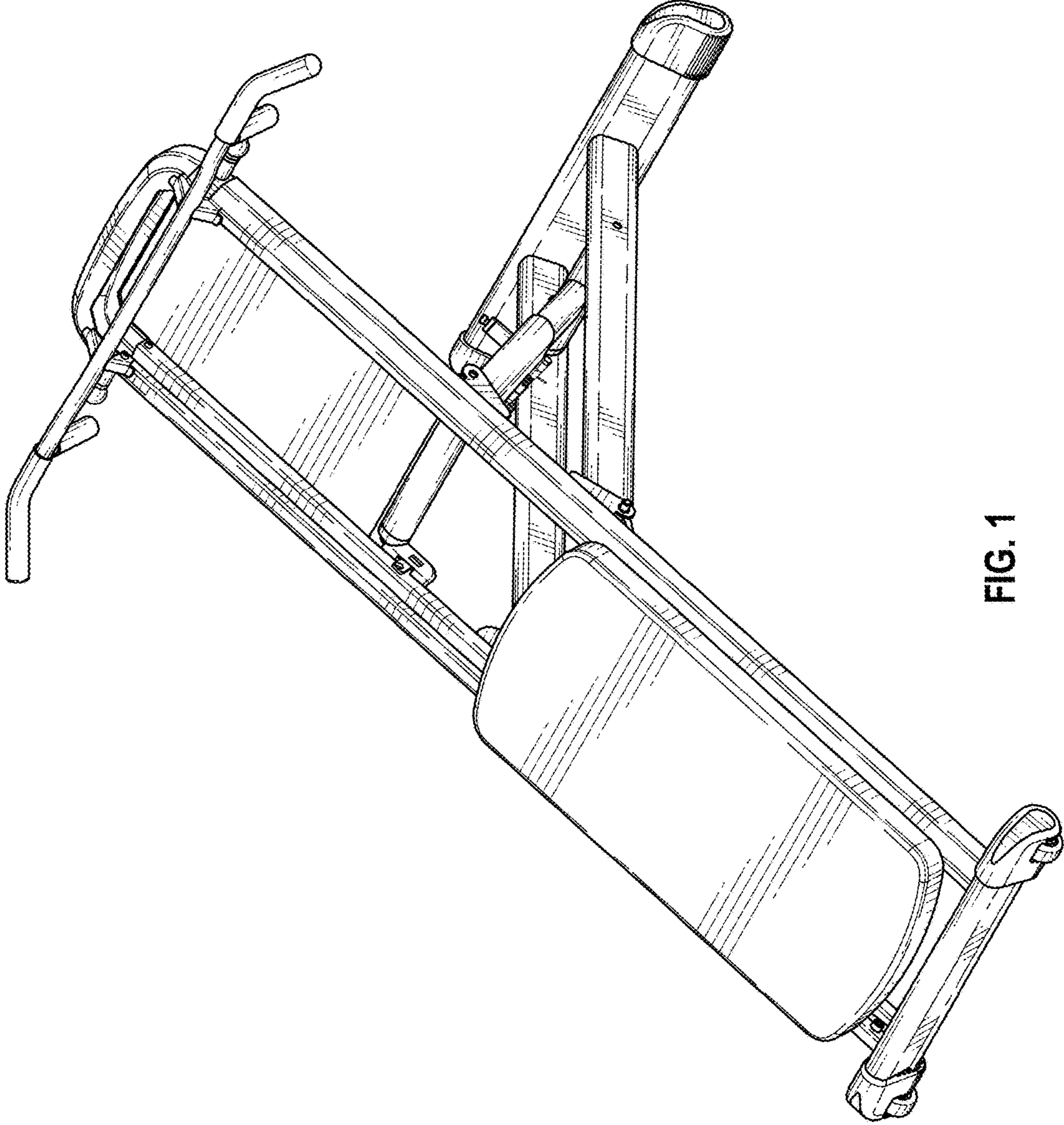


FIG. 1

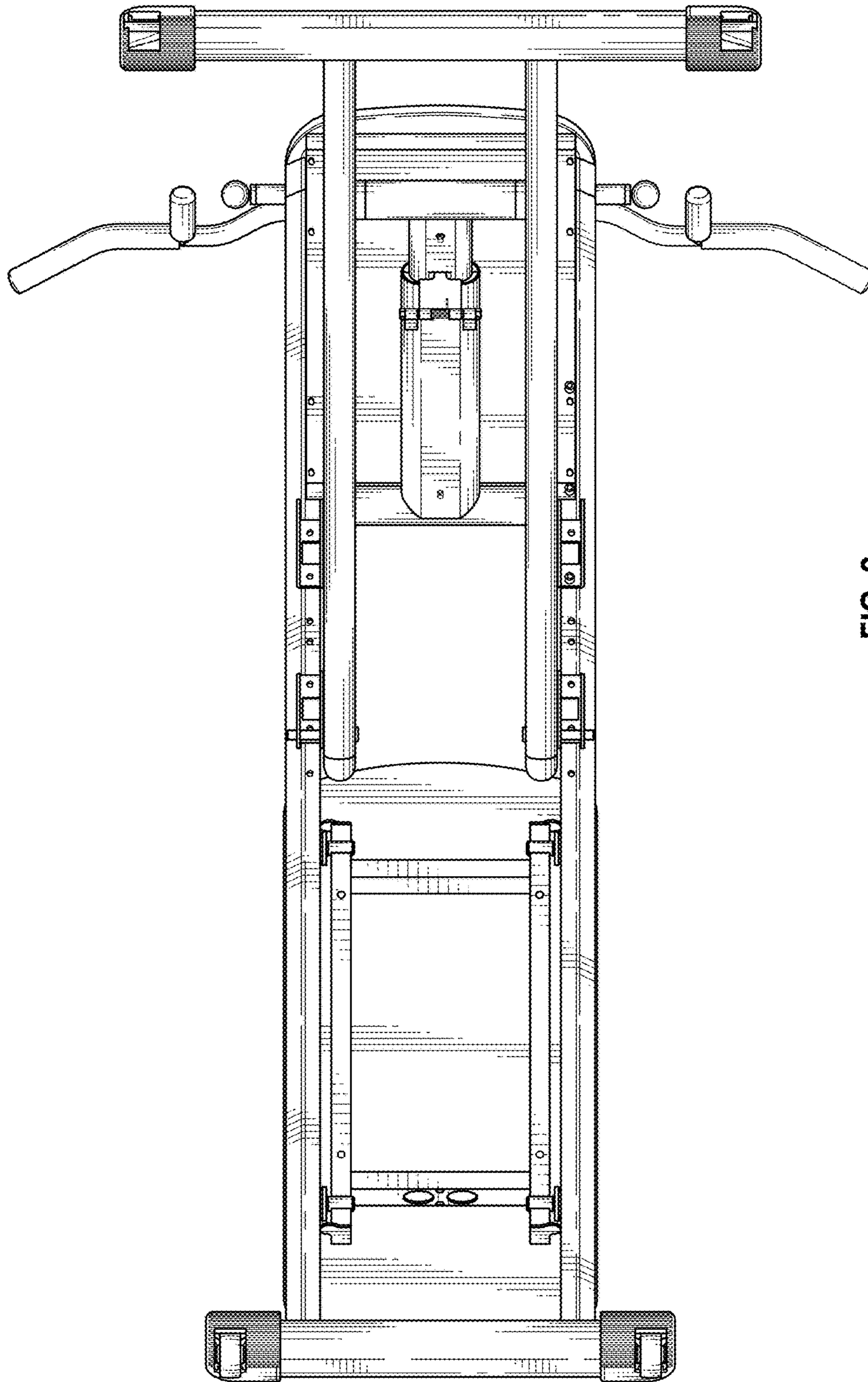


FIG. 2

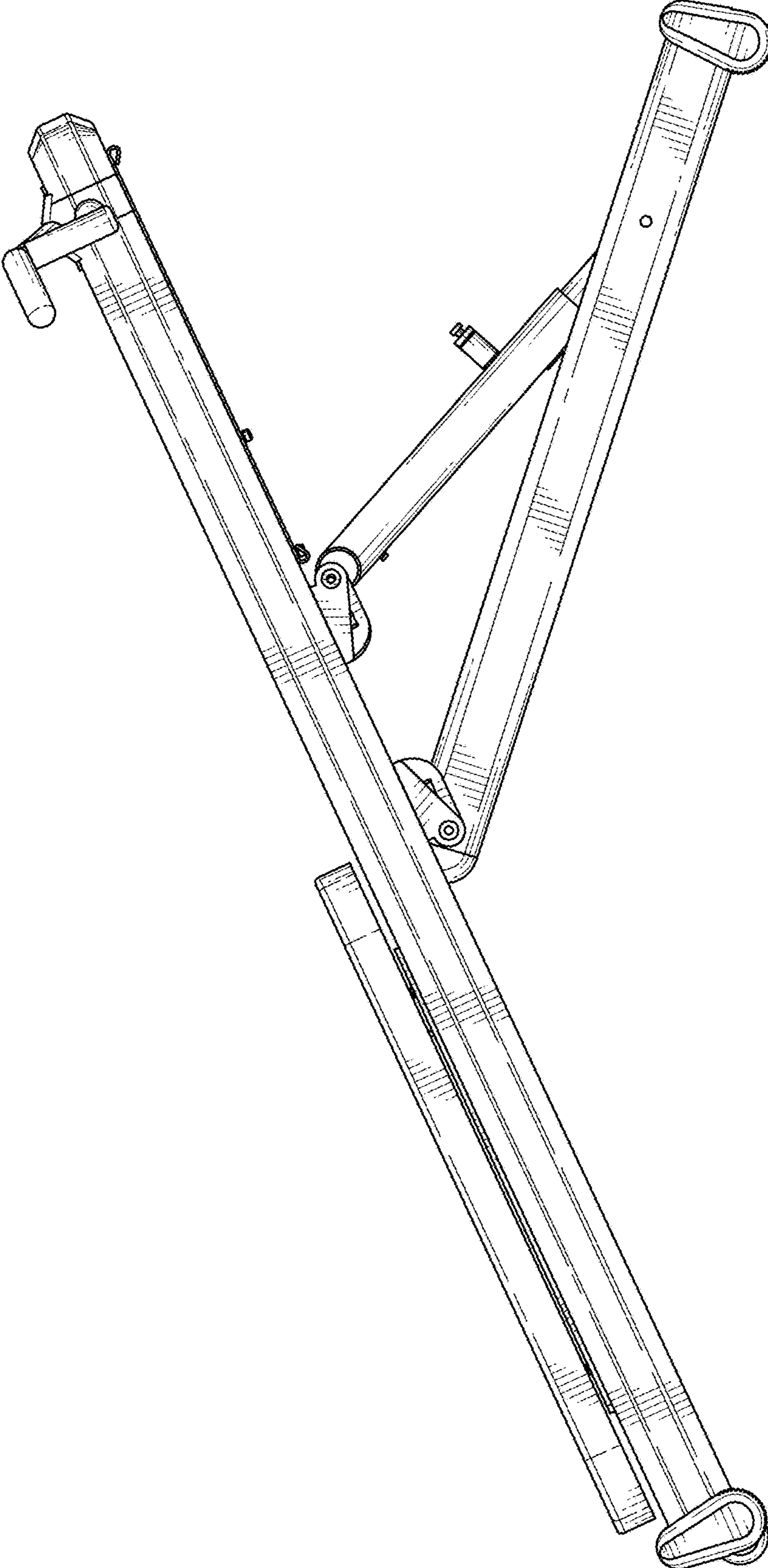


FIG. 3

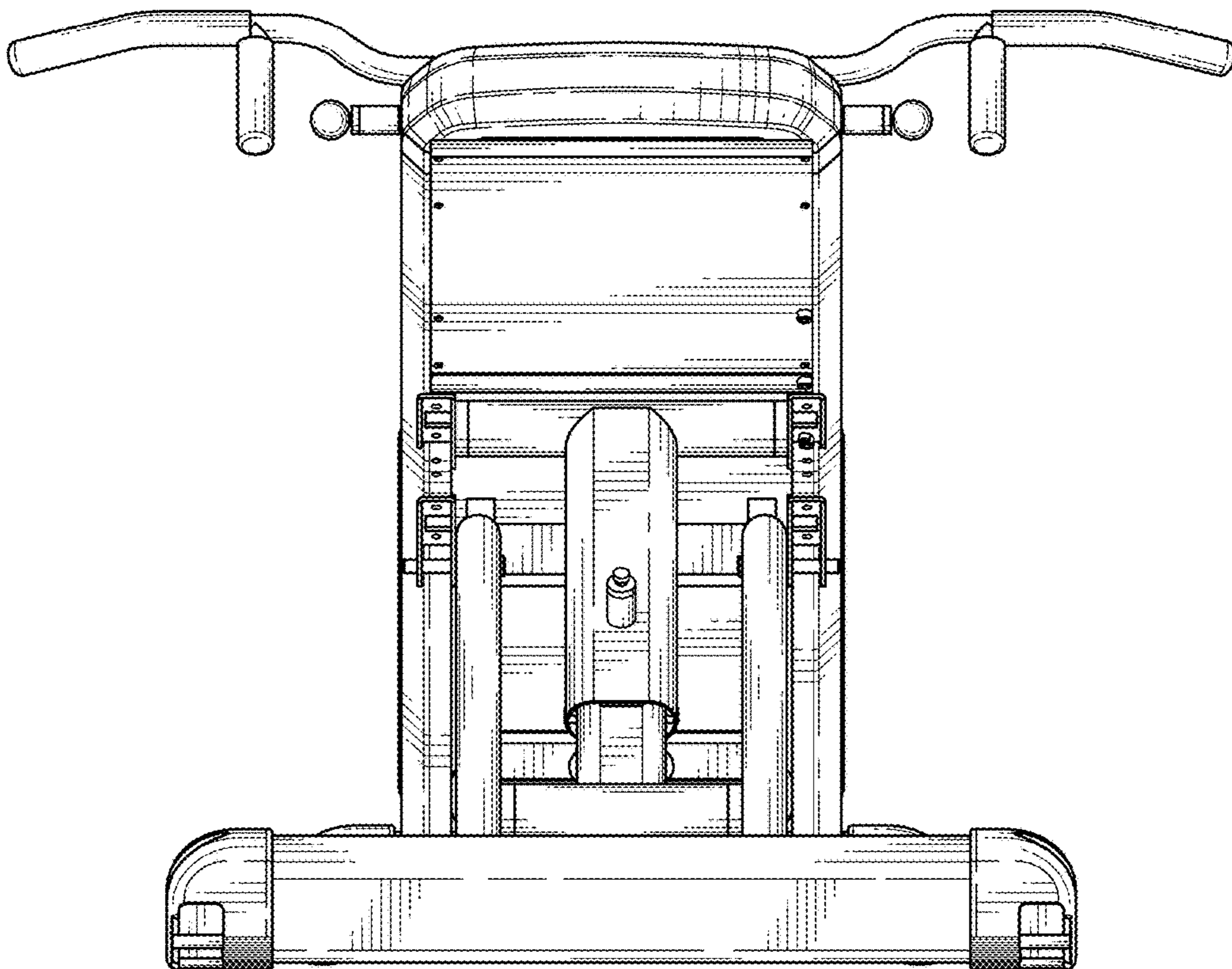


FIG. 4