



US00D812157S

(12) **United States Design Patent** (10) **Patent No.:** **US D812,157 S**
Macias (45) **Date of Patent:** **** Mar. 6, 2018**

(54) **BOARD FOR SIMULATING WATER SPORTS**

(71) Applicant: **Julian Macias**, Orlando, FL (US)

(72) Inventor: **Julian Macias**, Orlando, FL (US)

(**) Term: **15 Years**

(21) Appl. No.: **29/560,542**

(22) Filed: **Apr. 7, 2016**

(51) **LOC (11) Cl.** **21-02**

(52) **U.S. Cl.**
USPC **D21/688**

(58) **Field of Classification Search**
USPC D21/797, 694, 671, 686, 698, 699, 680,
D21/685, 692, 662, 687, 689, 318, 688,
D21/412, 333, 683, 798, 421, 399;
482/142, 52, 51, 30, 74, 91, 140, 25, 94,
482/105, 93, 110, 146, 125, 126, 123,
482/139, 79, 80, 71, 147, 34, 77;
428/122; D6/349, 582, 592, 335, 350,
D6/583, 588, 585; 297/461, 223, 423.41;
248/678; 473/278, 218, 269; 280/205,
280/87.042, 609; D19/59
CPC A63B 26/003; A63B 22/16; A63B 22/18;
A63B 21/0442; A63B 21/4035; A63B
2208/0204; A63B 21/0004; A63B 22/14
See application file for complete search history.

(56) **References Cited**

U.S. PATENT DOCUMENTS

4,826,159 A * 5/1989 Hersey A63B 26/003
482/146
5,197,934 A * 3/1993 Wirtz A63B 21/023
482/123
D405,135 S * 2/1999 Scott D21/688
D469,486 S * 1/2003 Olson D21/662
D471,605 S * 3/2003 Teff D21/662
7,011,612 B2 * 3/2006 Repking A63B 22/16
482/142

D587,774 S * 3/2009 Giannatos D21/761
D588,224 S * 3/2009 Giannatos D21/761
D588,225 S * 3/2009 Giannatos D21/761
8,016,732 B2 * 9/2011 Susnjara A63B 21/0004
482/142
D659,776 S * 5/2012 Zydiak D21/688
8,734,308 B1 * 5/2014 Joslin A63B 22/16
482/142

(Continued)

Primary Examiner — Robert M. Spear

Assistant Examiner — Ryan Harvey

(74) *Attorney, Agent, or Firm* — Evelyn A Defillo; Defillo & Associates, Inc

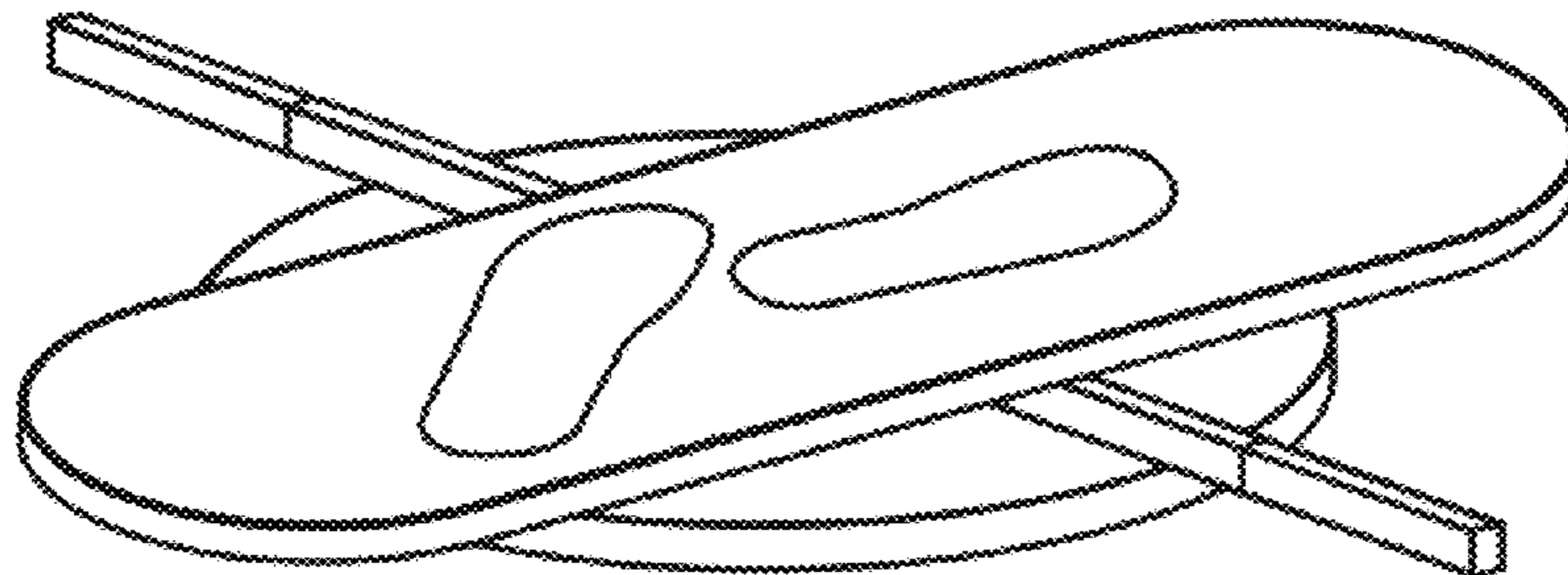
(57) **CLAIM**

The ornamental design of a board for simulating water sports, as shown and described.

DESCRIPTION

FIG. 1 is a top view of the board for simulating water sports according to a first embodiment of the present invention showing a first position for the feet;
FIG. 2 is a top view of the board for simulating water sports according to a second embodiment of the present invention showing a second position for the feet;
FIG. 3 is a top view of the board for simulating water sports according to a third embodiment of the present invention showing a third position for the feet;
FIG. 4 is a side view of the board for simulating water sports for all three embodiments;
FIG. 5 is an end view of the board for simulating water sports for all three embodiments;
FIG. 6 is a perspective front view of the second embodiment;
FIG. 7 is a perspective front view of the first embodiment;
FIG. 8 is perspective front view of the third embodiment; and,
FIG. 9 is a bottom view of the board for simulating water sports of FIGS. 1-8.

1 Claim, 4 Drawing Sheets



(56)

References Cited

U.S. PATENT DOCUMENTS

D778,374 S * 2/2017 Jaquish D21/686
2014/0228187 A1 * 8/2014 Moscarello A63B 26/003
482/142

* cited by examiner

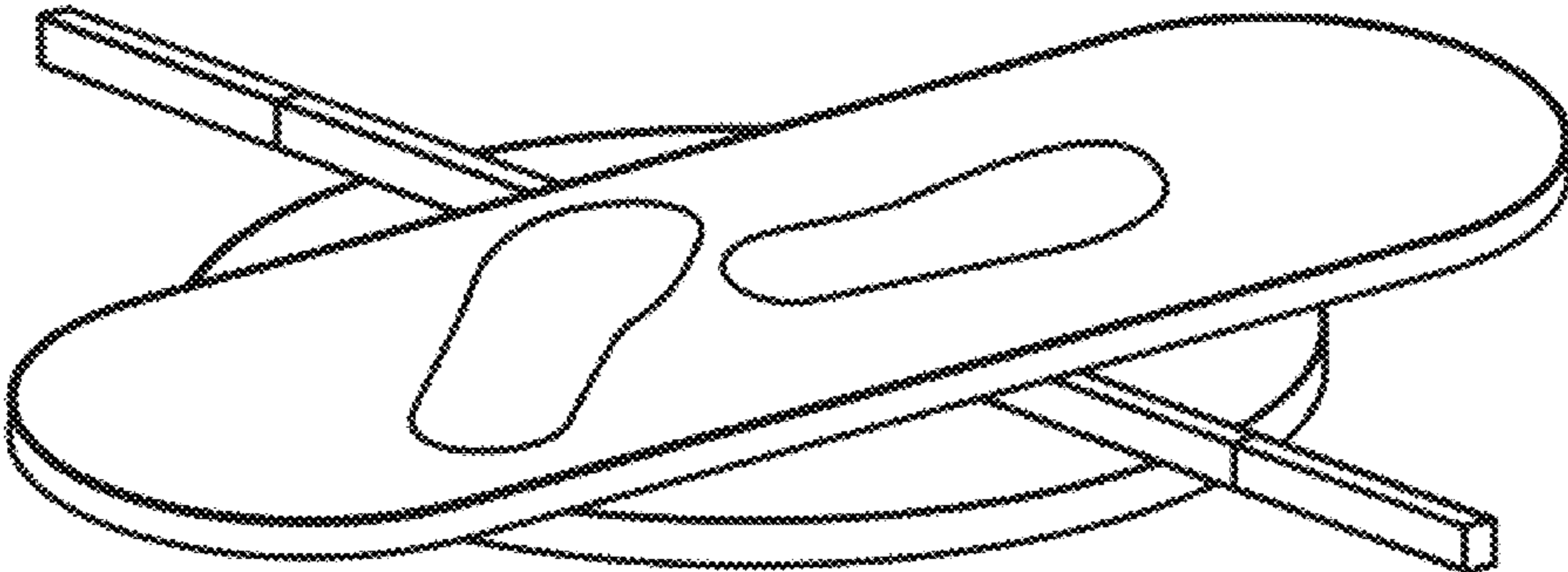


Fig. 1

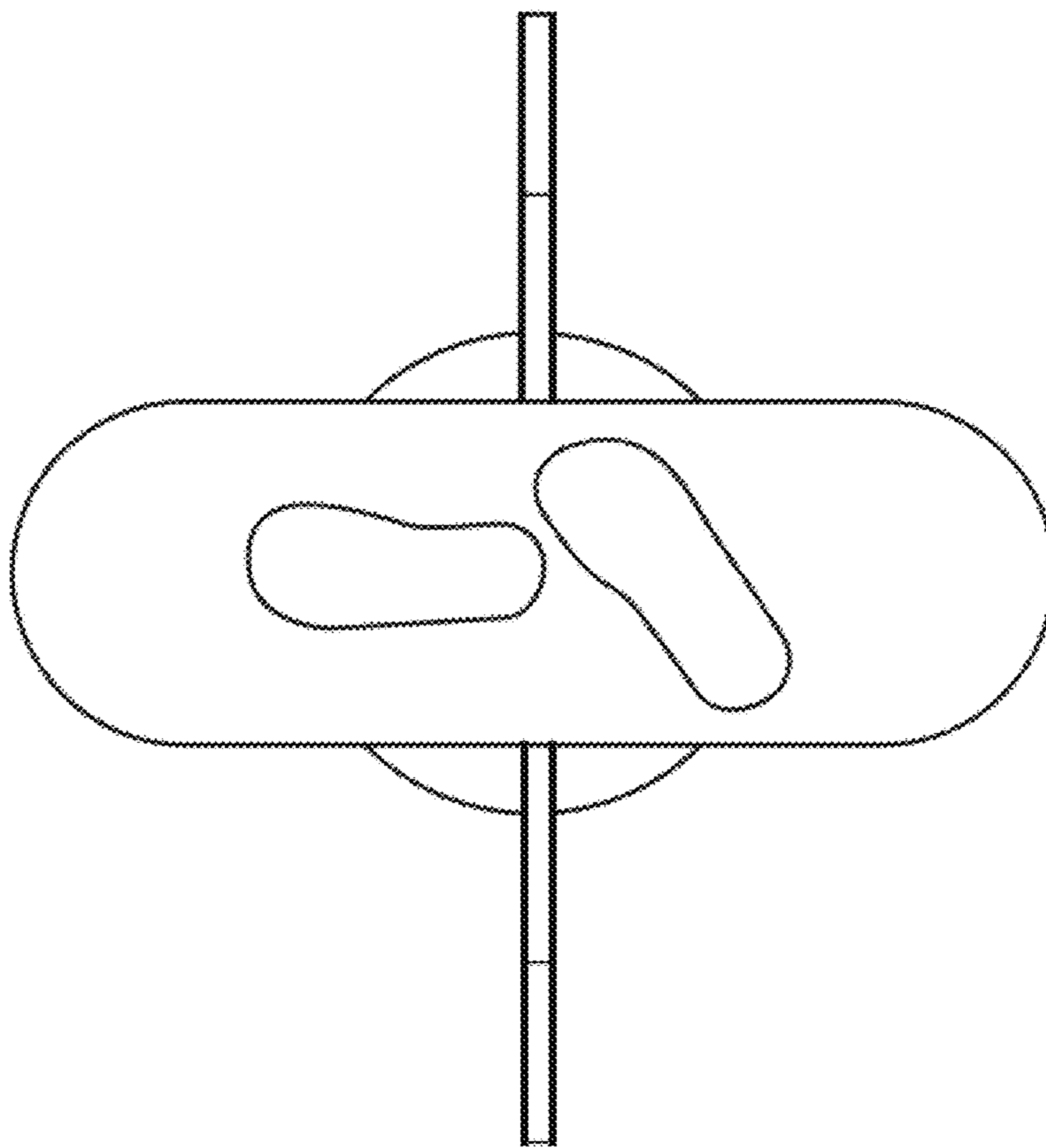


Fig. 2

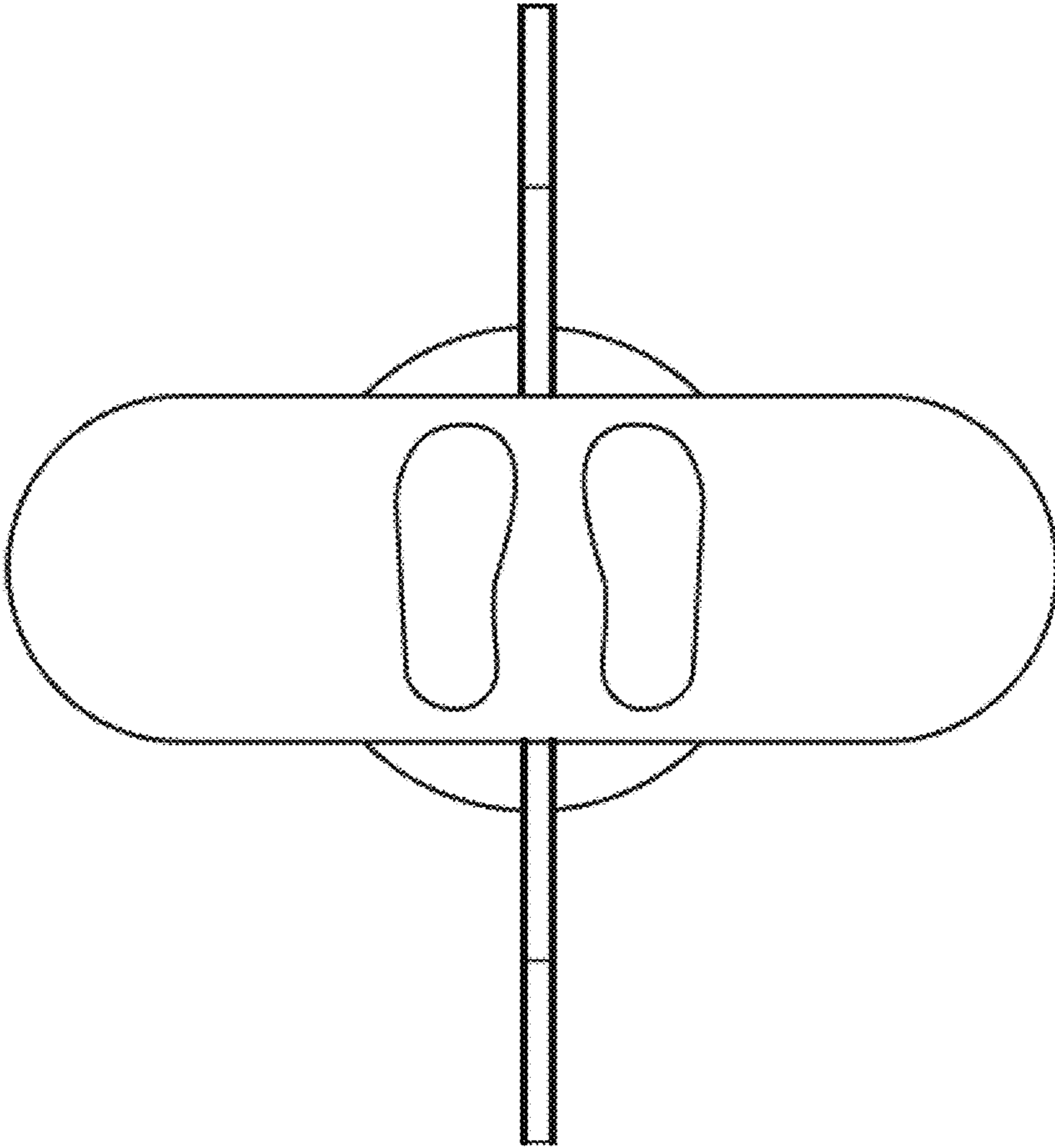


Fig. 3

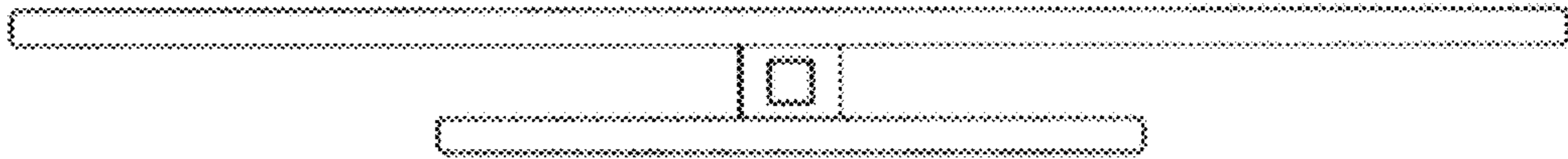


Fig. 4

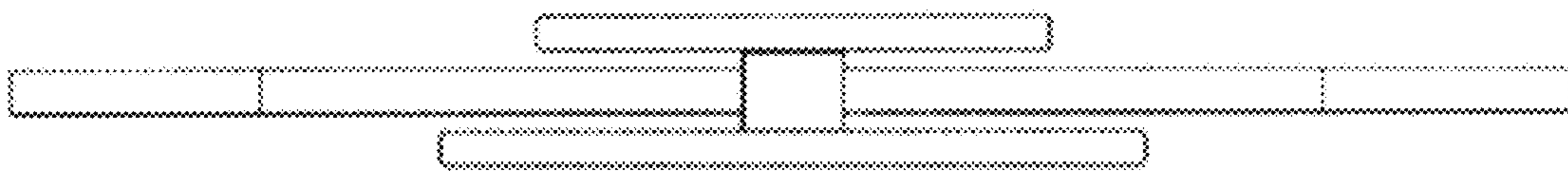


Fig. 5