



US00D812156S

(12) **United States Design Patent**  
**Stoyanov Kichev**

(10) **Patent No.:** **US D812,156 S**  
(45) **Date of Patent:** **\*\* Mar. 6, 2018**

(54) **WEIGHT LIFTING MACHINE**  
(71) Applicant: **Dimitar Stoyanov Kichev**, San Esteban de Gormaz (ES)  
(72) Inventor: **Dimitar Stoyanov Kichev**, San Esteban de Gormaz (ES)

D599,418 S \* 9/2009 Fenster ..... D21/675  
7,651,443 B1 \* 1/2010 Fenster ..... A63B 23/035  
482/103  
7,722,509 B2 \* 5/2010 Eder ..... A63B 21/156  
482/101  
8,506,459 B2 \* 8/2013 Cassidy ..... A63B 21/156  
482/102  
D746,388 S \* 12/2015 Hockridge ..... D21/673  
(Continued)

(\*\*) Term: **15 Years**

(21) Appl. No.: **29/558,144**

(22) Filed: **Mar. 15, 2016**

(30) **Foreign Application Priority Data**

Sep. 15, 2015 (EM) ..... 002772483-0001

(51) **LOC (11) Cl.** ..... **21-02**

(52) **U.S. Cl.**  
USPC ..... **D21/675**

(58) **Field of Classification Search**  
USPC ... 482/99, 111, 114, 121, 133, 94, 142, 130,  
482/112, 100, 138, 102, 101, 1, 5, 8, 9,  
482/901, 95, 96, 51, 92, 93, 136, 104,  
482/108, 97, 140, 69, 107, 98, 139, 4, 6,  
482/145, 41; 434/29; D21/673, 691,  
D21/694, 682, 686, 675, 676, 826, 823,  
D21/699, 797

CPC ..... A63B 24/0062; A63B 2210/50; A63B  
2230/06; A63B 21/4035; A63B 21/154  
See application file for complete search history.

(56) **References Cited**

**U.S. PATENT DOCUMENTS**

D200,322 S \* 2/1965 Spackman ..... D21/691  
6,537,182 B2 \* 3/2003 Slawinski ..... A63B 21/00181  
482/104  
6,705,976 B1 \* 3/2004 Piane, Jr. .... A63B 21/154  
482/102  
D578,582 S \* 10/2008 Gomez ..... D21/686  
7,553,264 B2 \* 6/2009 Carter ..... A63B 21/154  
482/102

**OTHER PUBLICATIONS**

Rincon Fit by Rincon Fit dated no date given. Found online [Aug. 17, 2017].\*

(Continued)

*Primary Examiner* — Robert M Spear

*Assistant Examiner* — Ryan Harvey

(74) *Attorney, Agent, or Firm* — Edell, Shapiro & Finnan LLC

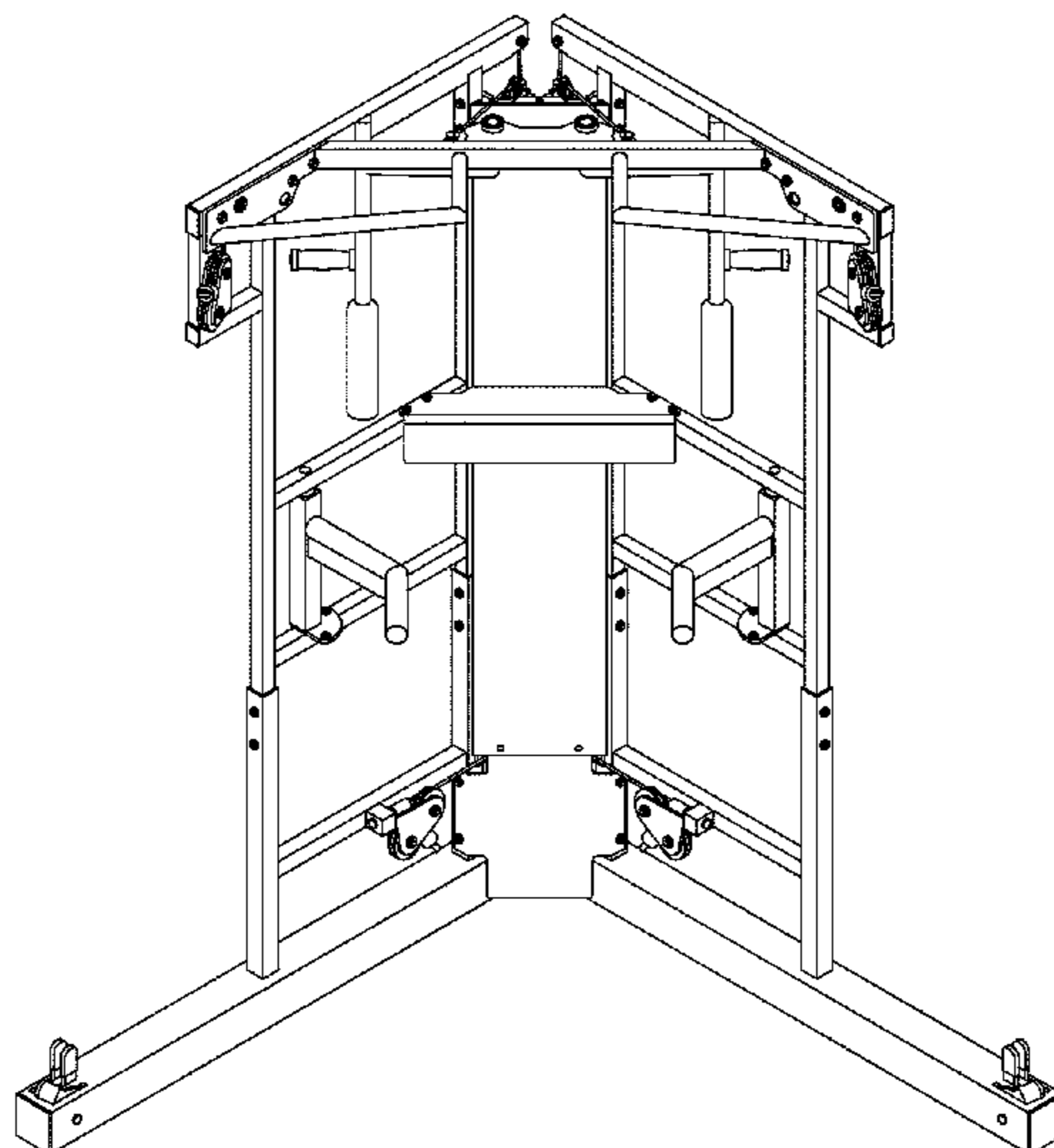
(57) **CLAIM**

The ornamental design for a weight lifting machine, as shown and described.

**DESCRIPTION**

FIG. 1 is a front perspective view from above of the weight lifting machine showing the new design;  
FIG. 2 is a front elevation view of the weight lifting machine of FIG. 1;  
FIG. 3 is a rear elevation view of the weight lifting machine of FIG. 1;  
FIG. 4 is a left side elevation view of the weight lifting machine of FIG. 1;  
FIG. 5 is a right side elevation view of the weight lifting machine of FIG. 1;  
FIG. 6 is a bottom plan view of the weight lifting machine of FIG. 1; and,  
FIG. 7 is a top plan view of the weight lifting machine of FIG. 1.

**1 Claim, 7 Drawing Sheets**



(56)

**References Cited**

U.S. PATENT DOCUMENTS

2007/0037674 A1\* 2/2007 Finn ..... A63B 21/156  
482/97  
2007/0135277 A1\* 6/2007 Alessandri ..... A63B 21/00  
482/121  
2009/0170675 A1\* 7/2009 Giannelli ..... A63B 23/03533  
482/139  
2009/0258761 A1\* 10/2009 Quinn ..... A63B 21/068  
482/41  
2012/0329626 A1\* 12/2012 Meredith ..... A63B 21/062  
482/142  
2013/0109543 A1\* 5/2013 Reyes ..... A63B 23/03558  
482/99  
2013/0274075 A1\* 10/2013 Habing ..... A63B 21/062  
482/102  
2015/0246258 A1\* 9/2015 Hockridge ..... A63B 21/0628  
482/99  
2016/0199691 A1\* 7/2016 Hockridge ..... A63B 23/03533  
482/96

OTHER PUBLICATIONS

Merry Christmas by Rincon Fit dated Dec. 24, 2015. Found online  
[Aug. 17, 2017]<https://www.youtube.com/watch?v=WIGI58GSopY>.\*

\* cited by examiner

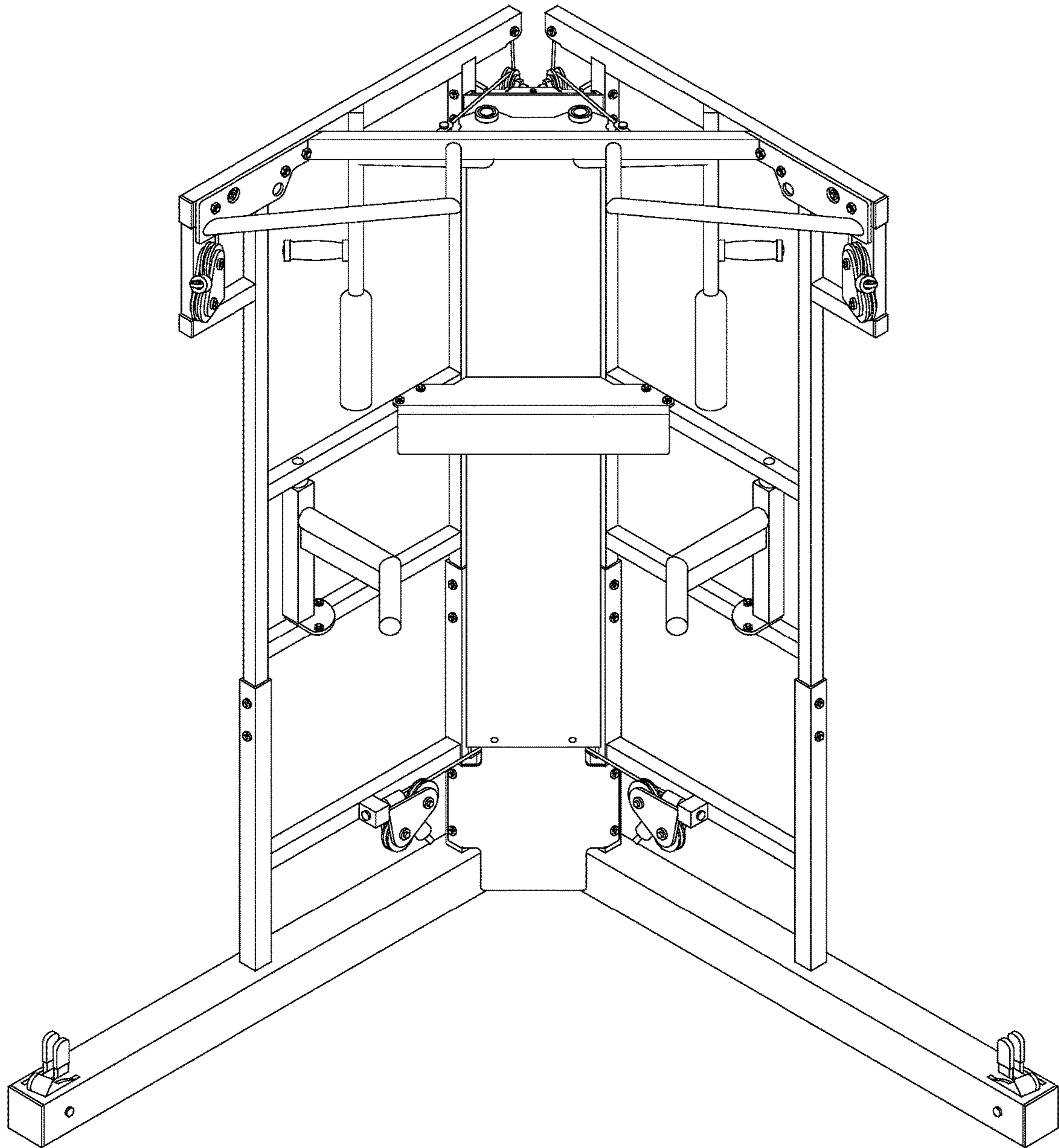


FIG.1

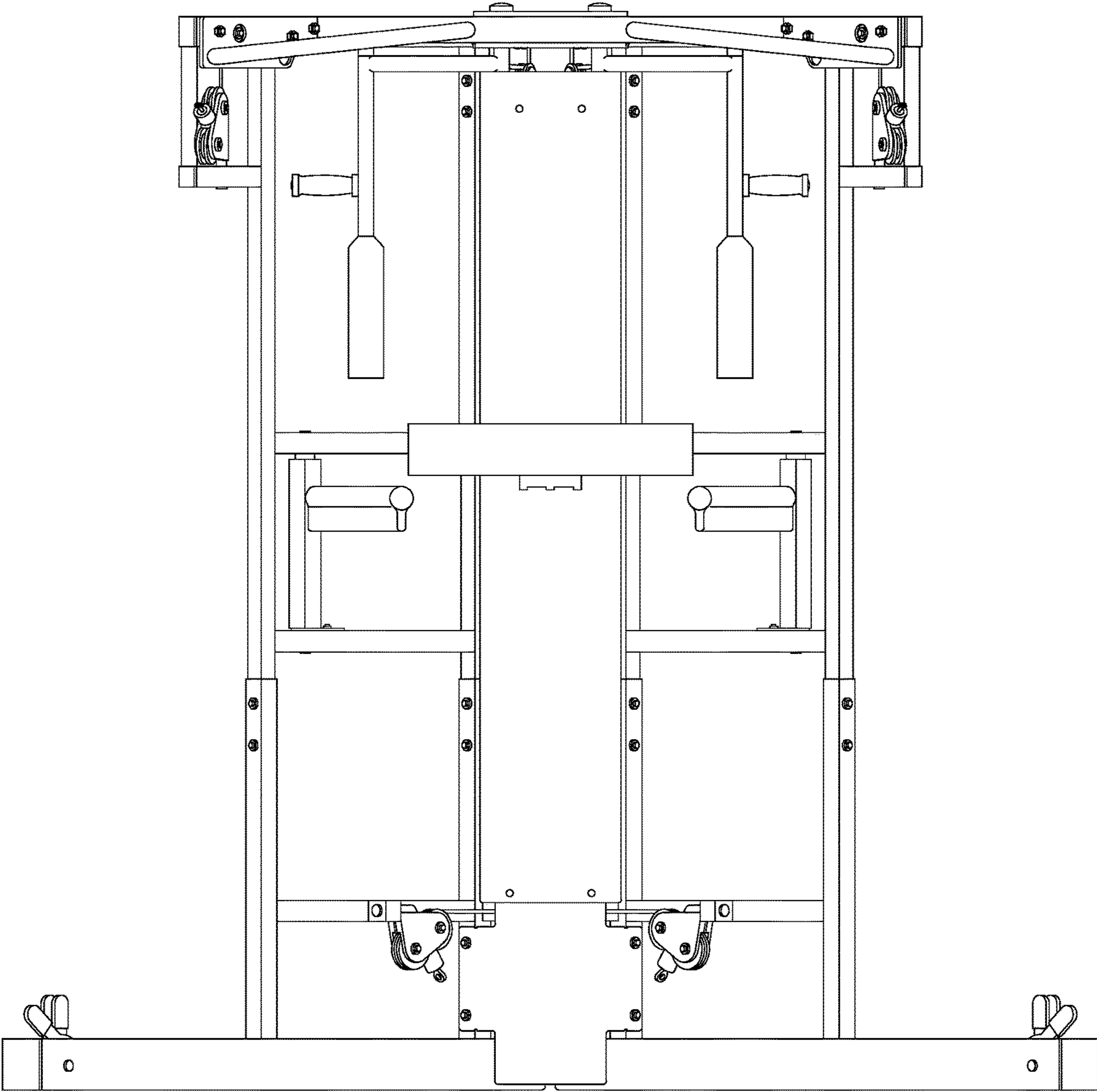


FIG.2

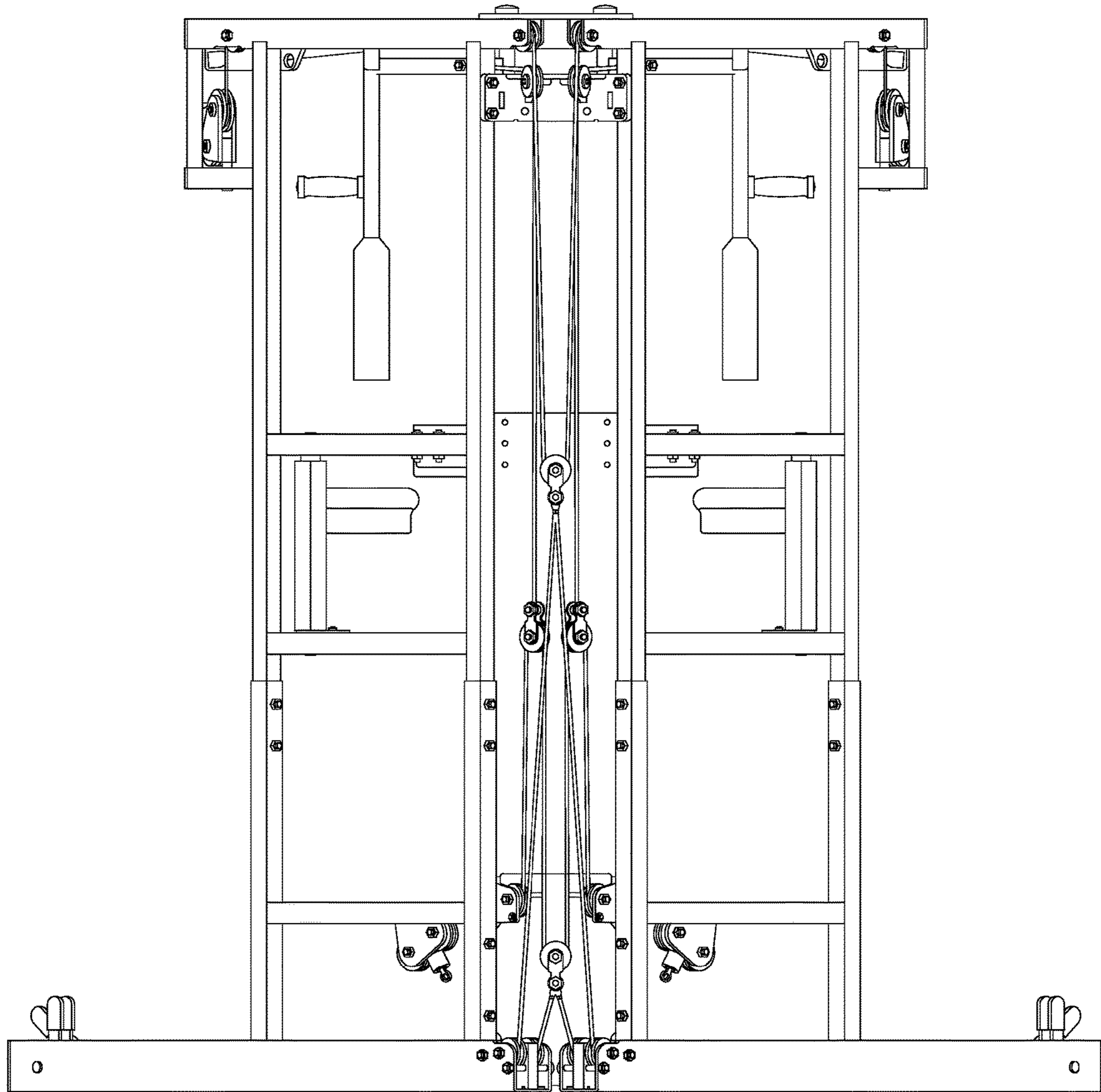


FIG.3

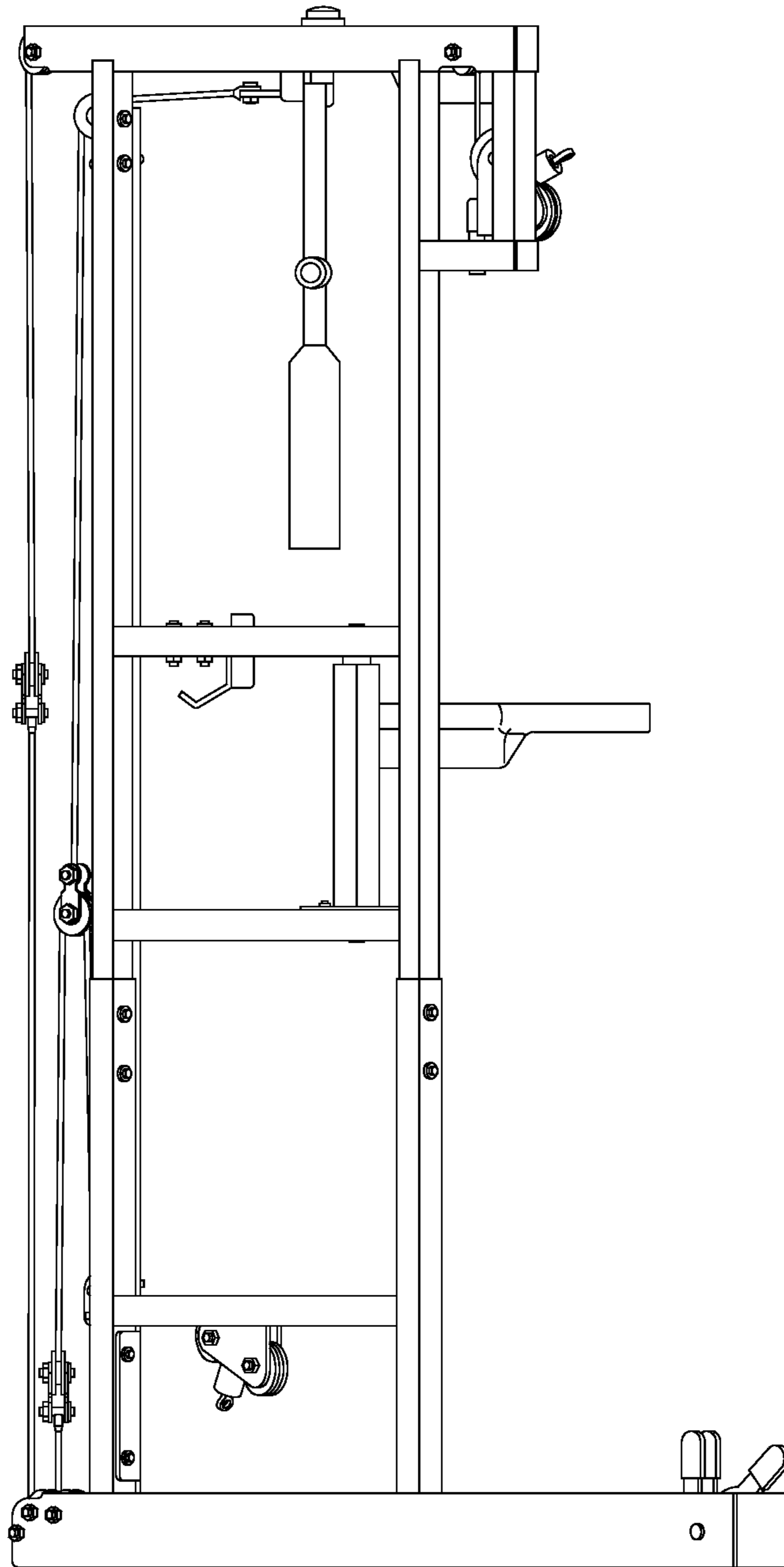


FIG.4

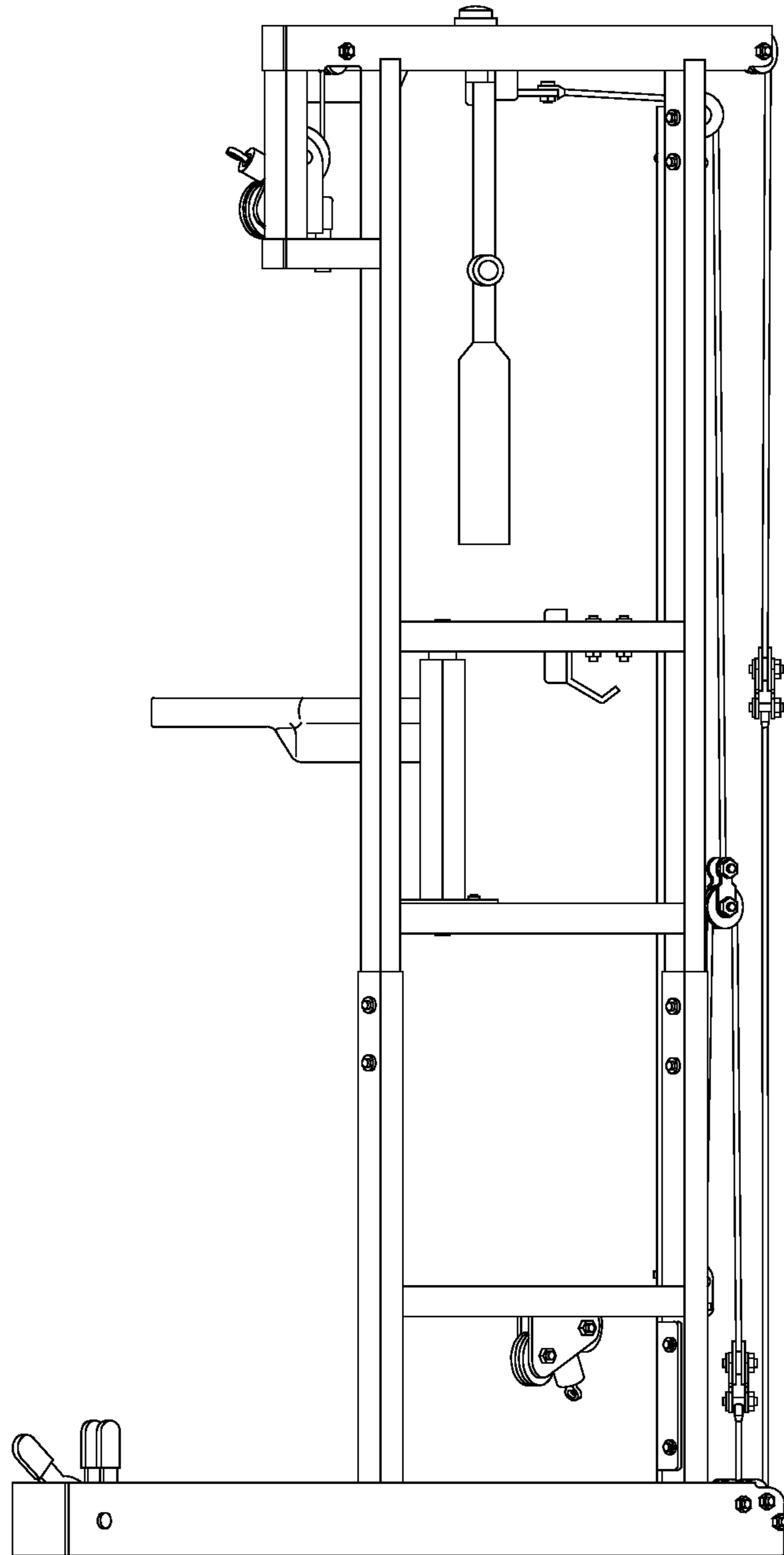


FIG.5

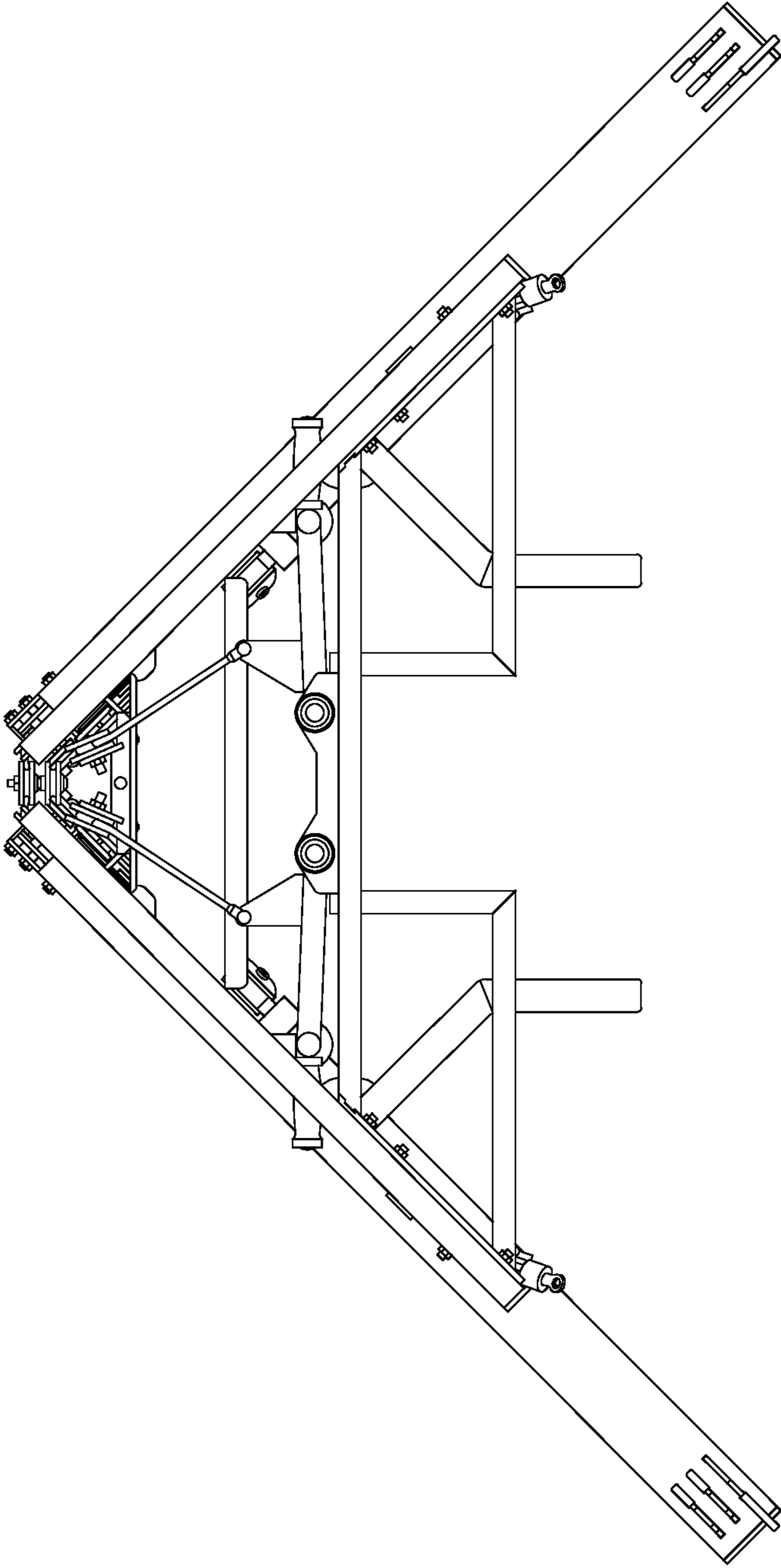


FIG.6



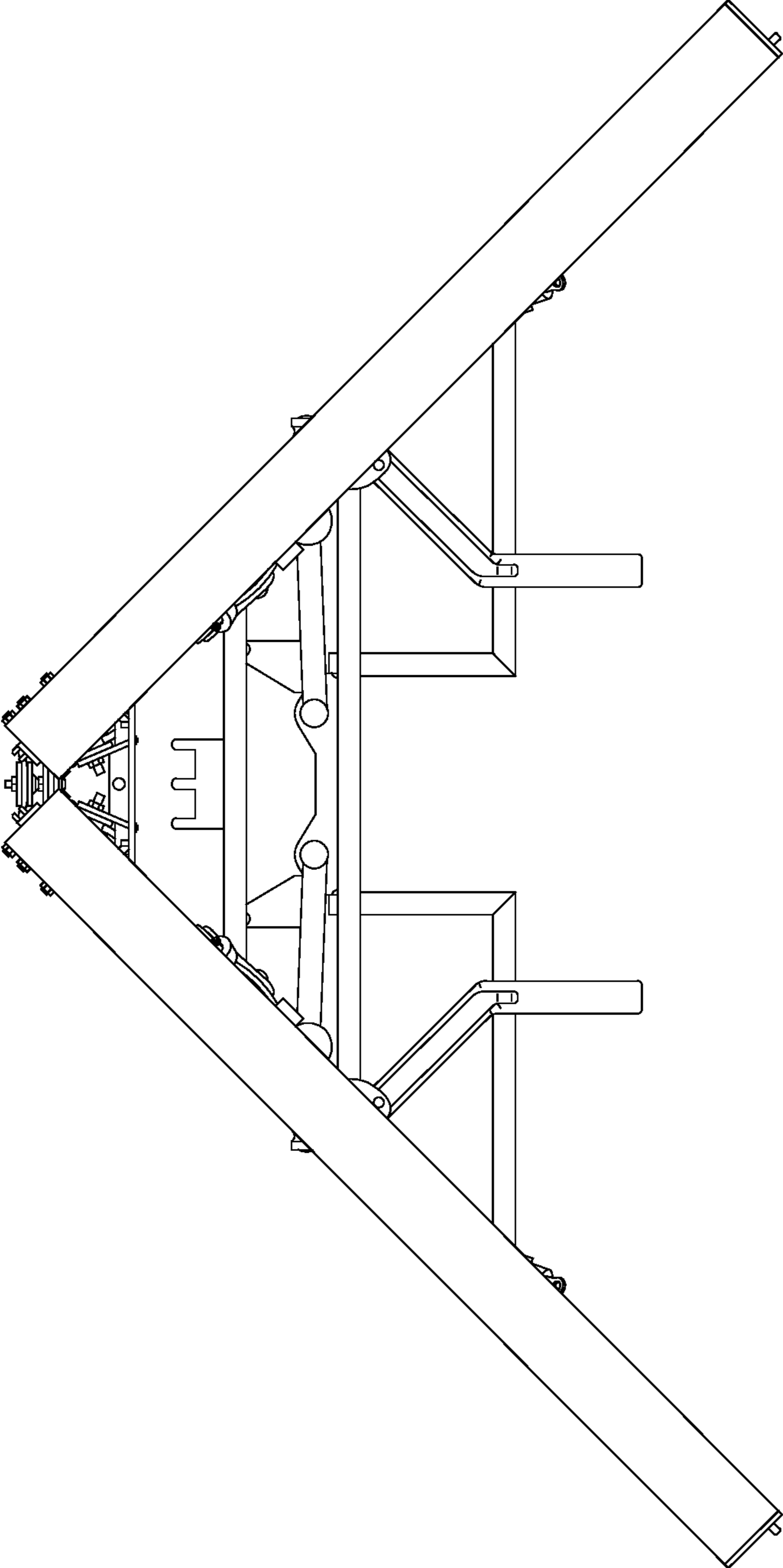


FIG.7