



US00D812151S

(12) **United States Design Patent**
Sisamos

(10) **Patent No.:** **US D812,151 S**
(45) **Date of Patent:** **** Mar. 6, 2018**

(54) **SNAP-LOCK CONSTRUCTION TOY**

FOREIGN PATENT DOCUMENTS

(71) Applicant: **Costas Sisamos**, Limassol (CY)

WO 2008150160 A1 12/2008

(72) Inventor: **Costas Sisamos**, Limassol (CY)

Primary Examiner — Cynthia M Chin

(**) Term: **15 Years**

(74) *Attorney, Agent, or Firm* — Eschweiler & Potashnik, LLC

(21) Appl. No.: **29/552,850**

(57) **CLAIM**

The ornamental design for a snap-lock construction toy, as shown and described.

(22) Filed: **Jan. 26, 2016**

DESCRIPTION

(51) **LOC (11) Cl.** **21-01**

(52) **U.S. Cl.**

USPC **D21/501**; D21/502

(58) **Field of Classification Search**

USPC D21/333, 373, 386, 389, 404, 468, 470, D21/471, 475, 484–505; 446/69, 85, 446/102–128; 434/167, 208, 259, 403; 273/153, 156, 160; D3/304, 314; D24/101; D9/640; 220/23.4; 40/720

CPC A63H 33/04; A63H 33/06; A63H 33/062; A63H 33/08; A63H 33/084; A63H 33/088; A63F 9/12; A63F 9/1224

See application file for complete search history.

FIG. 1 illustrates a front, top, and right side perspective view of a snap-lock construction toy according the present invention.

FIG. 2 illustrates a left, bottom, and rear perspective view of the snap-lock construction toy of FIG. 1.

FIG. 3 illustrates a left, top, and front side perspective view of a snap-lock construction toy of FIG. 1.

FIG. 4 illustrates a left, bottom, and front side perspective view of a snap-lock construction toy of FIG. 1.

FIG. 5 illustrates front elevation view of the snap-lock construction toy of FIG. 1.

FIG. 6 illustrates rear elevation view of the snap-lock construction toy of FIG. 1.

FIG. 7 illustrates left elevation view of the snap-lock construction toy of FIG. 1.

FIG. 8 illustrates a right elevation view of the snap-lock construction toy of FIG. 1.

FIG. 9 illustrates a top plan view of the snap-lock construction toy of FIG. 1; and,

FIG. 10 illustrates a bottom plan view of the snap-lock construction toy of FIG. 1.

The broken lines represent the environment in which the article resides and forms no part of the claimed design. The broken lines immediately adjacent the shaded areas represent the bounds of the claim which form no part of the claimed design. The broken lines and unshaded surfaces are included to identify parts of the article's appearance that form no part of the claimed design.

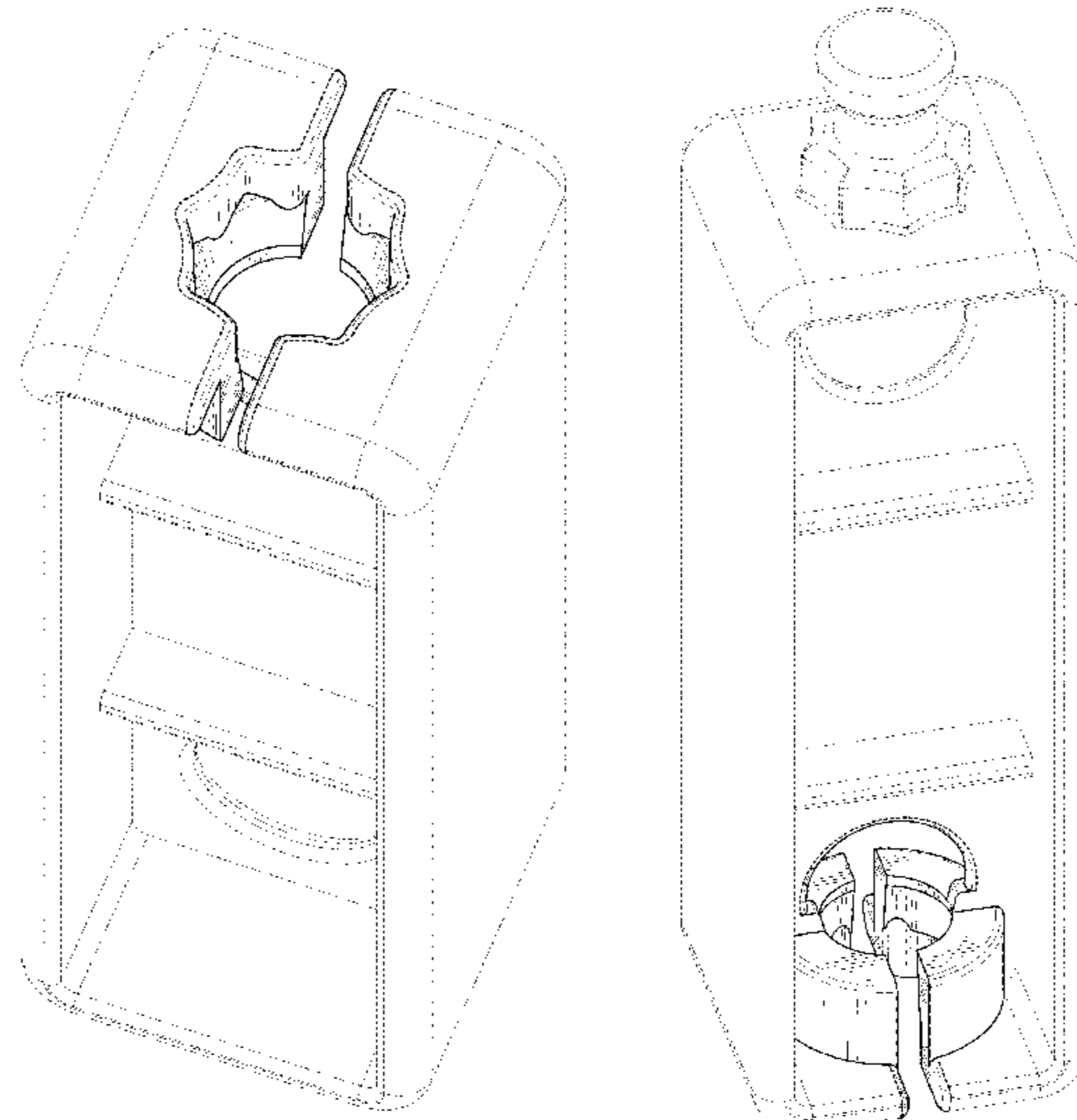
(56) **References Cited**

U.S. PATENT DOCUMENTS

4,306,373	A *	12/1981	Chatani	A63H 33/088
					446/121
5,924,906	A *	7/1999	Grafton	A63H 33/10
					411/339
D437,010	S *	1/2001	Meys	D21/498
D563,486	S *	3/2008	Slater	D21/498
D580,995	S *	11/2008	Chun	D21/499
D612,435	S *	3/2010	Sisamos		
8,157,470	B2 *	4/2012	De Wilde	A63H 33/106
					403/348
D669,137	S *	10/2012	Perrin	D21/478
D692,507	S *	10/2013	Meys	D21/498
8,651,914	B2	2/2014	Sisamos		

(Continued)

1 Claim, 8 Drawing Sheets



(56)

References Cited

U.S. PATENT DOCUMENTS

8,961,259	B2	2/2015	Maggiore et al.	
D740,893	S *	10/2015	Simonds	D21/499
9,555,339	B2 *	1/2017	Lu	A63H 33/10
D795,359	S *	8/2017	Ahn	D21/499
2009/0017715	A1 *	1/2009	Grichting	A63H 33/105
				446/124
2011/0039474	A1 *	2/2011	Bruder	A63H 33/101
				446/124

* cited by examiner

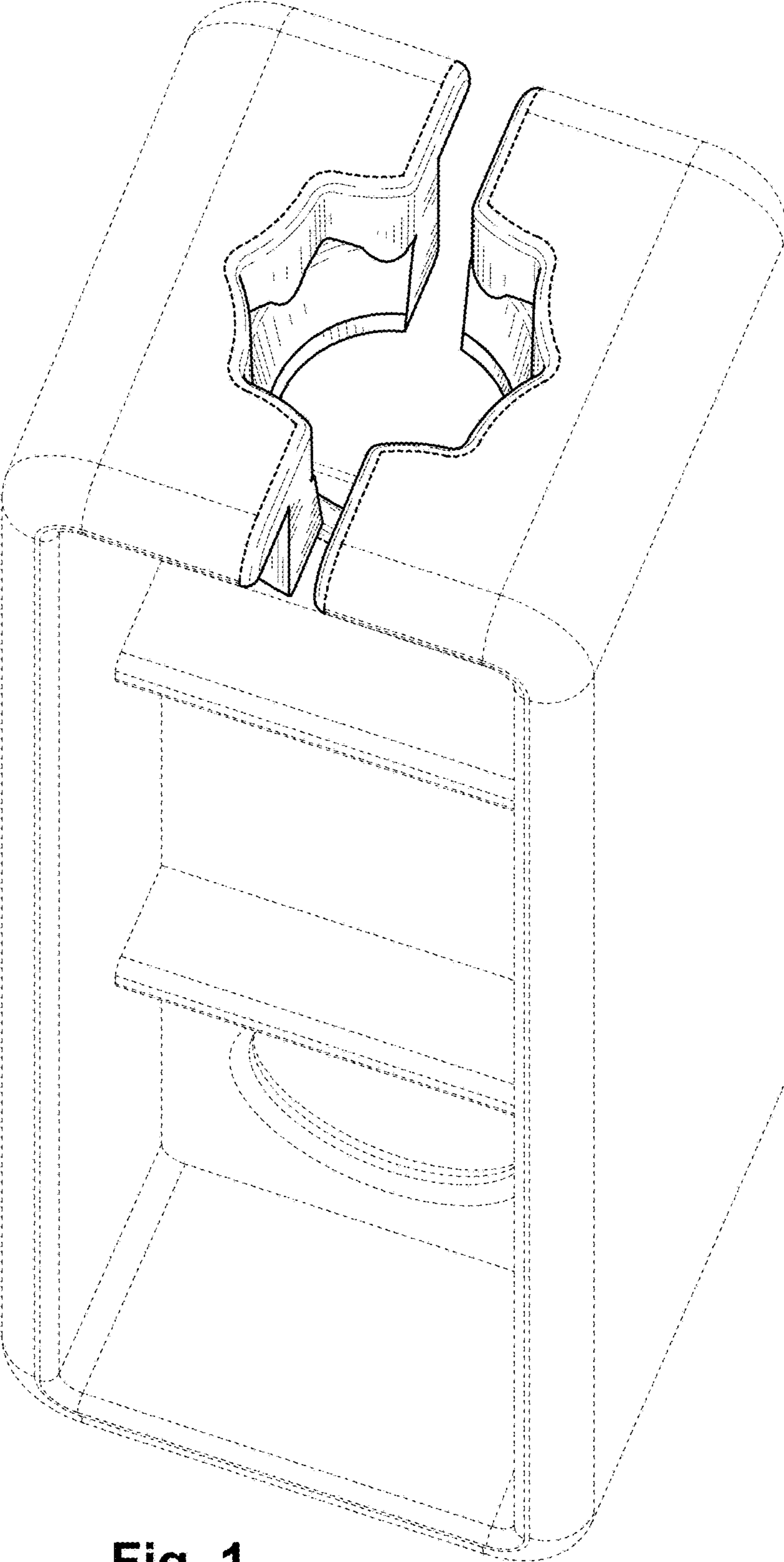


Fig. 1

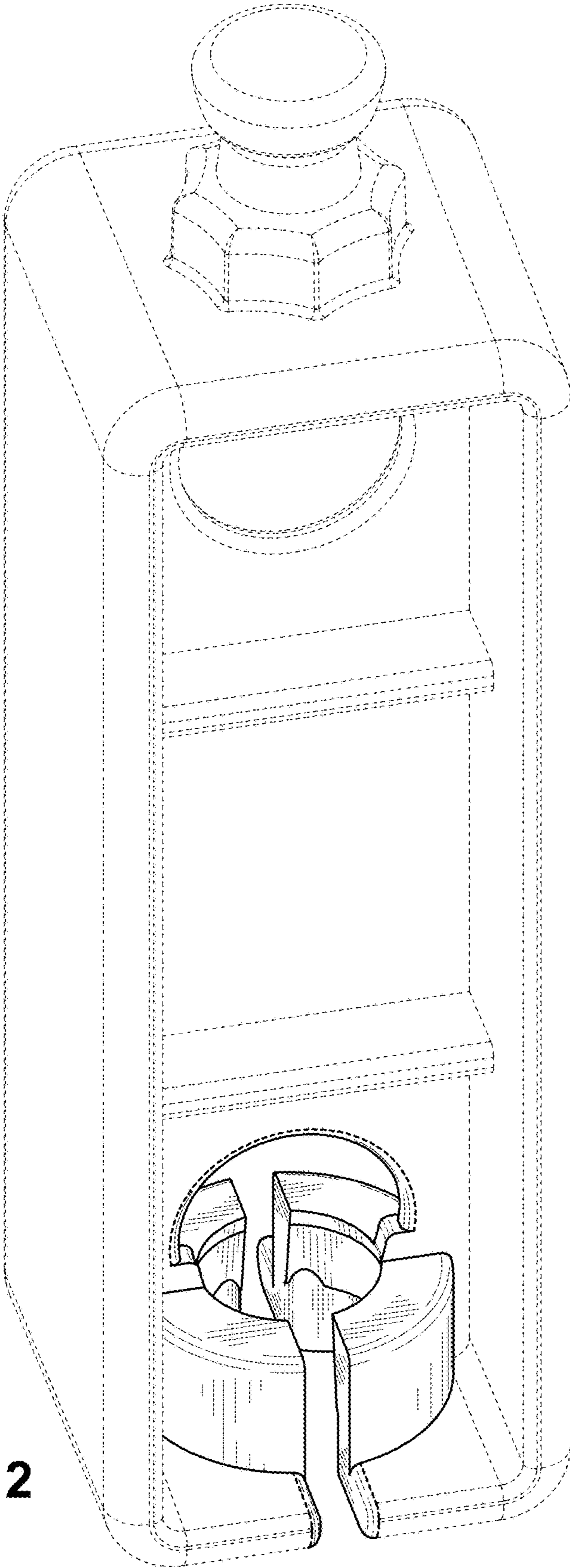


Fig. 2

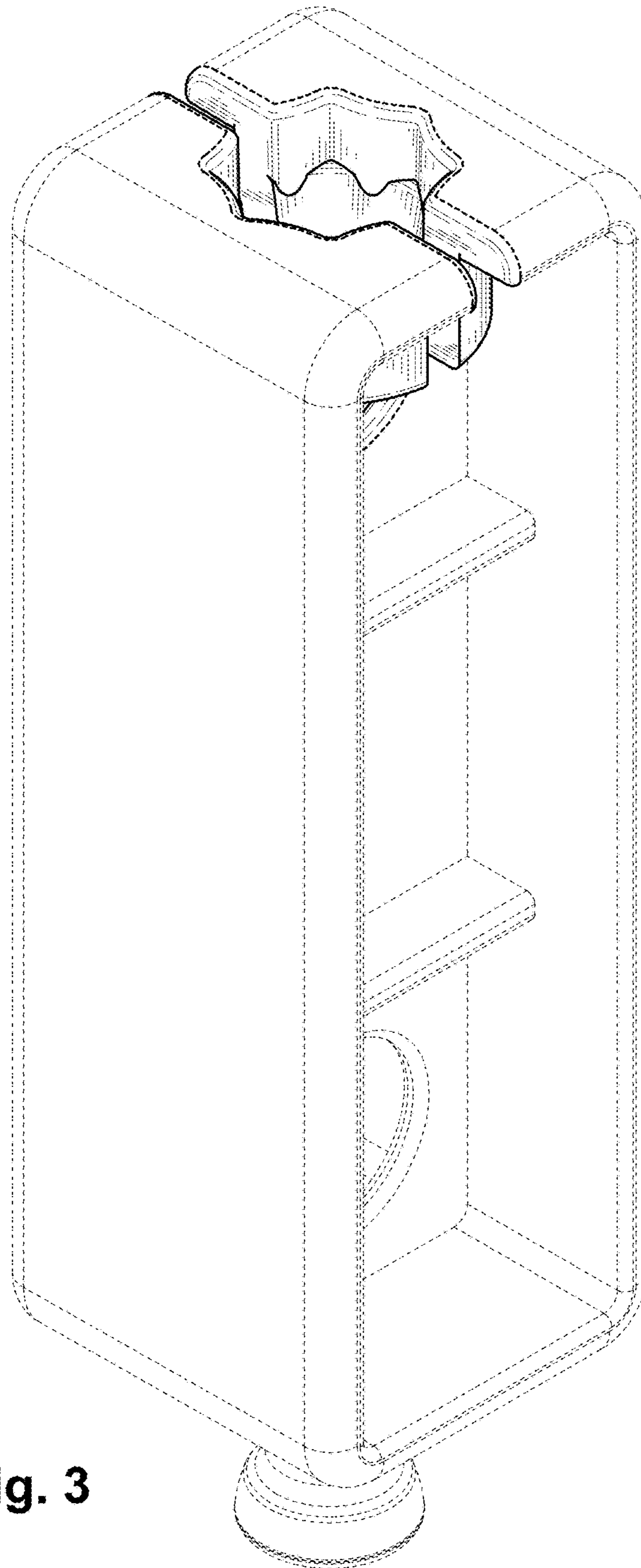


Fig. 3

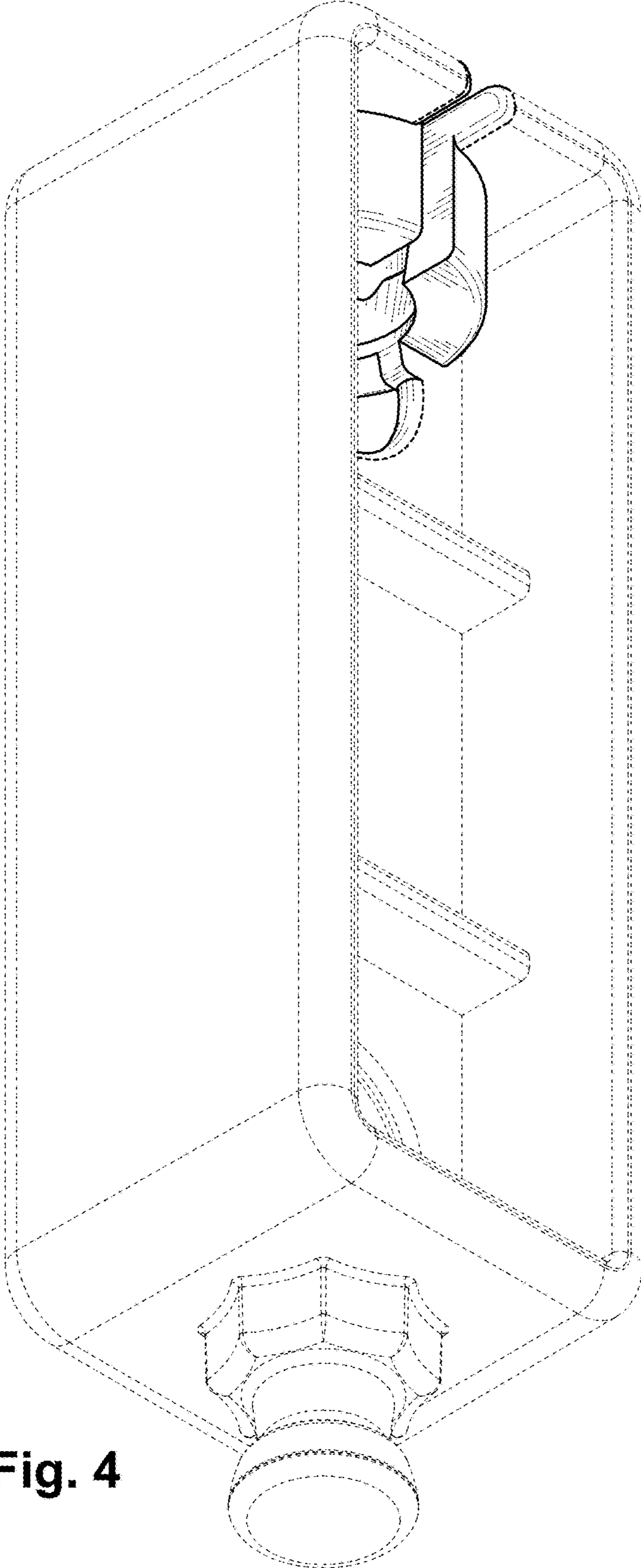


Fig. 4

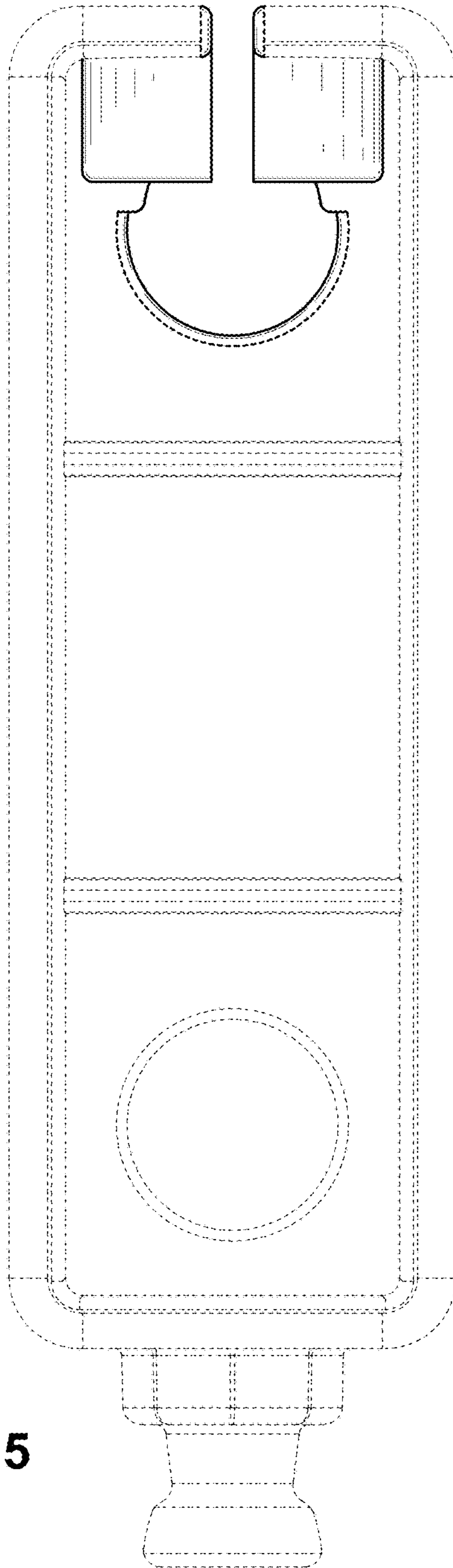


Fig. 5

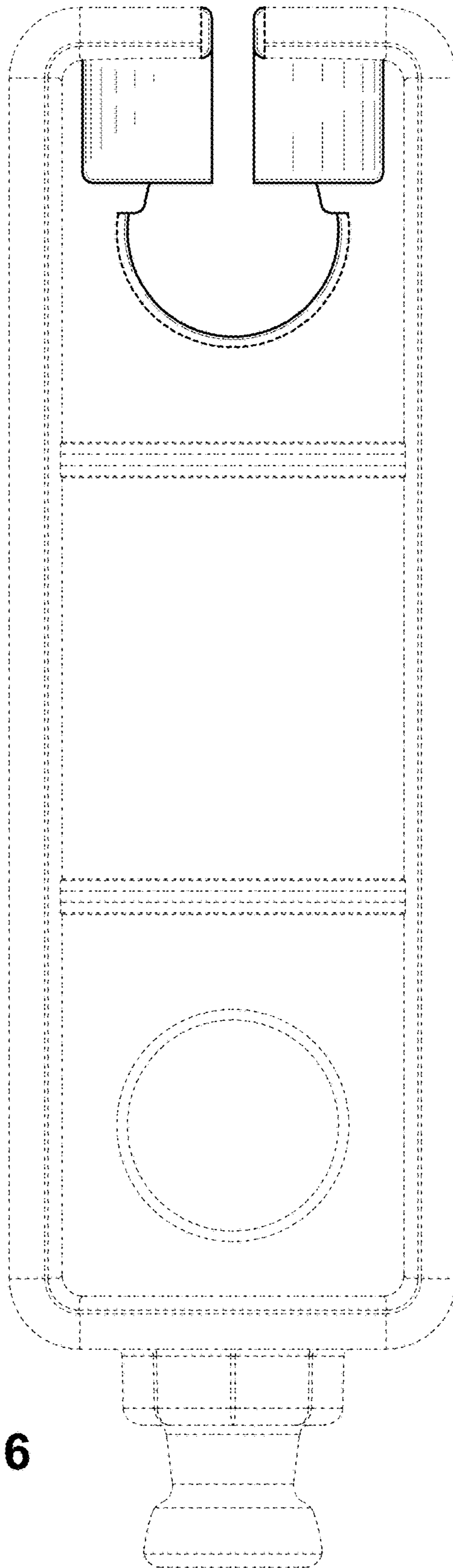


Fig. 6



Fig. 7

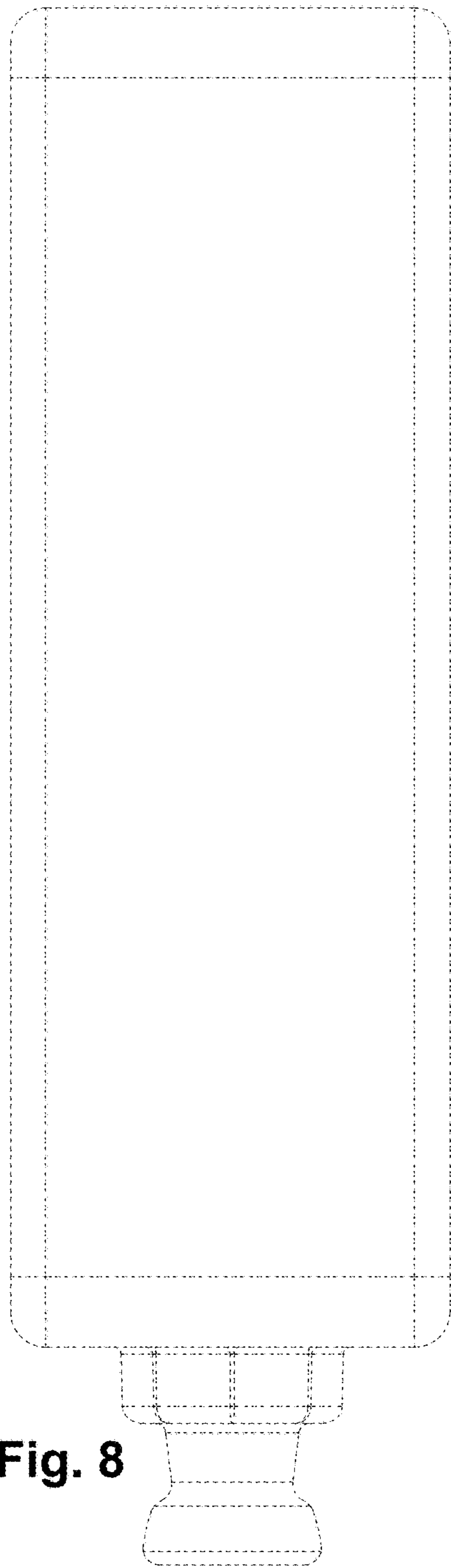


Fig. 8

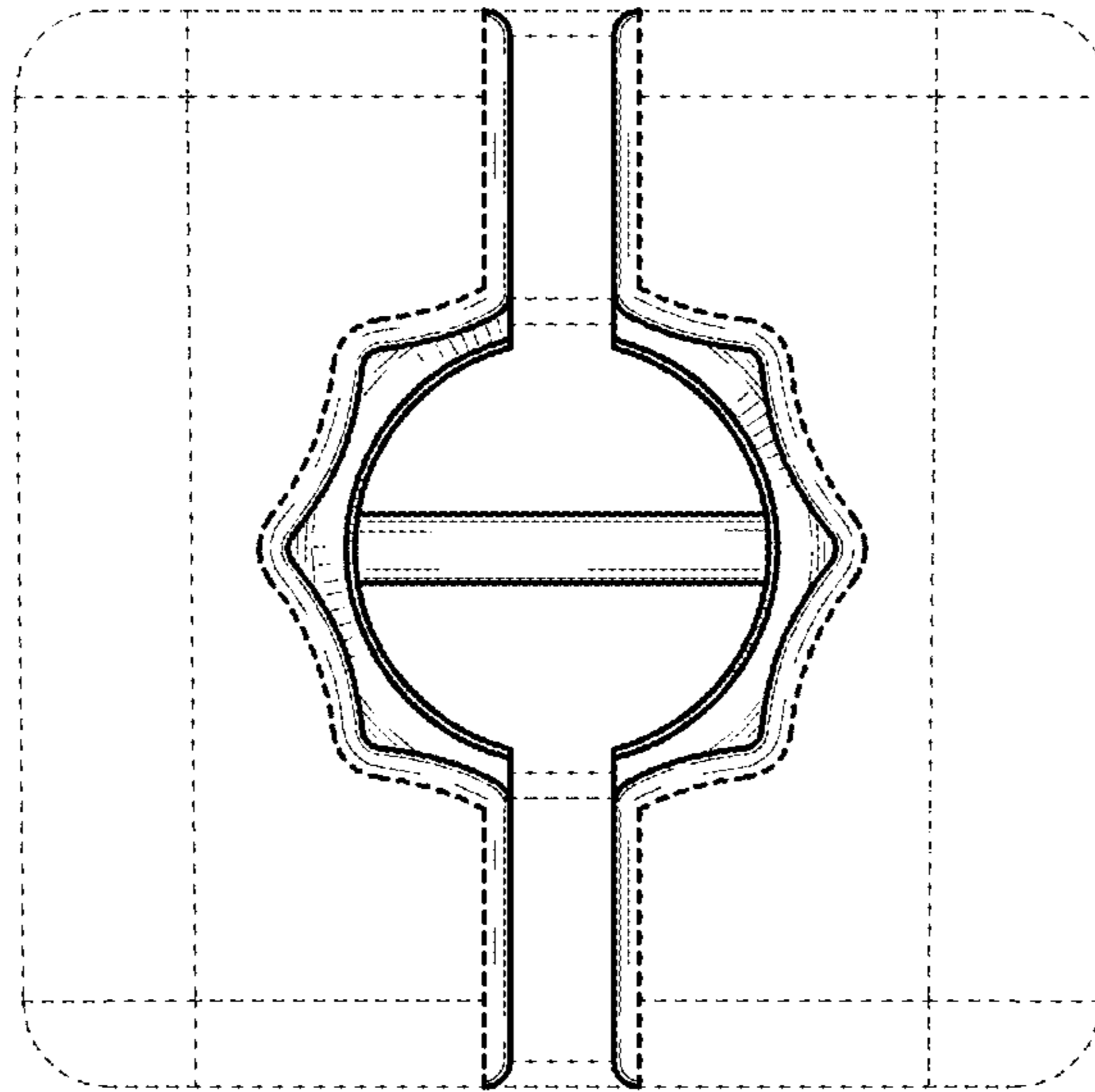


Fig. 9

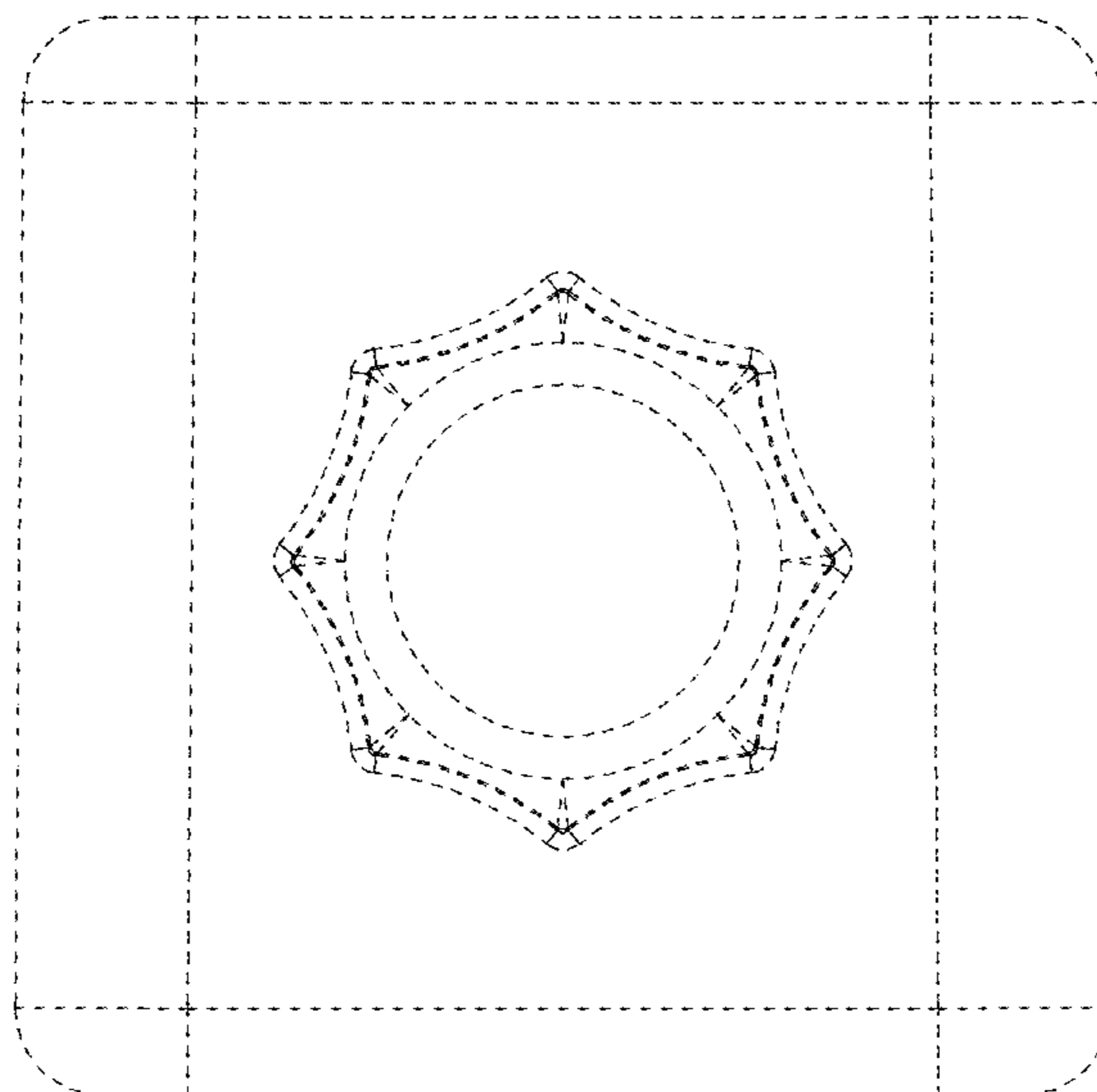


Fig. 10