



US00D812150S

(12) **United States Design Patent**
Simonds

(10) **Patent No.:** **US D812,150 S**
(45) **Date of Patent:** **** Mar. 6, 2018**

(54) **END STOP GEAR**
(71) Applicant: **Chiswick Innovations Limited,**
London (GB)
(72) Inventor: **Colin Duncan Simonds,** London (GB)
(73) Assignee: **CHISWICK INNOVATIONS**
LIMITED, London (GB)

D517,128 S * 3/2006 Kim D21/503
D517,616 S * 3/2006 Kim D21/503
7,980,912 B2 * 7/2011 Shoptaugh A63H 33/088
446/120
8,568,187 B2 * 10/2013 Norman A63H 33/084
273/156
9,044,690 B2 * 6/2015 Uttley A63H 33/102
9,302,196 B2 * 4/2016 Norman A63H 33/084
9,498,703 B2 * 11/2016 McCoskey A63H 33/106

(**) Term: **15 Years**

* cited by examiner

(21) Appl. No.: **29/566,633**

Primary Examiner — Cynthia M Chin

(22) Filed: **Jun. 1, 2016**

(74) *Attorney, Agent, or Firm* — Jacobson Holman,
PLLC.

(51) **LOC (11) Cl.** **21-01**

(52) **U.S. Cl.**

USPC **D21/495**

(57) **CLAIM**

(58) **Field of Classification Search**

USPC D21/333, 373, 386, 389, 404, 468, 470,
D21/471, 475, 484–505, 562; 446/69, 85,
446/102–128; 434/167, 208, 259, 403;
273/153, 156, 160

I claim the ornamental design for an end stop gear, as shown
and described.

CPC A63H 33/04; A63H 33/06; A63H 33/062;
A63H 33/08; A63H 33/086; A63H
33/088; A63H 17/002; A63H 17/26; A63F
9/12; A63F 9/1224
See application file for complete search history.

DESCRIPTION

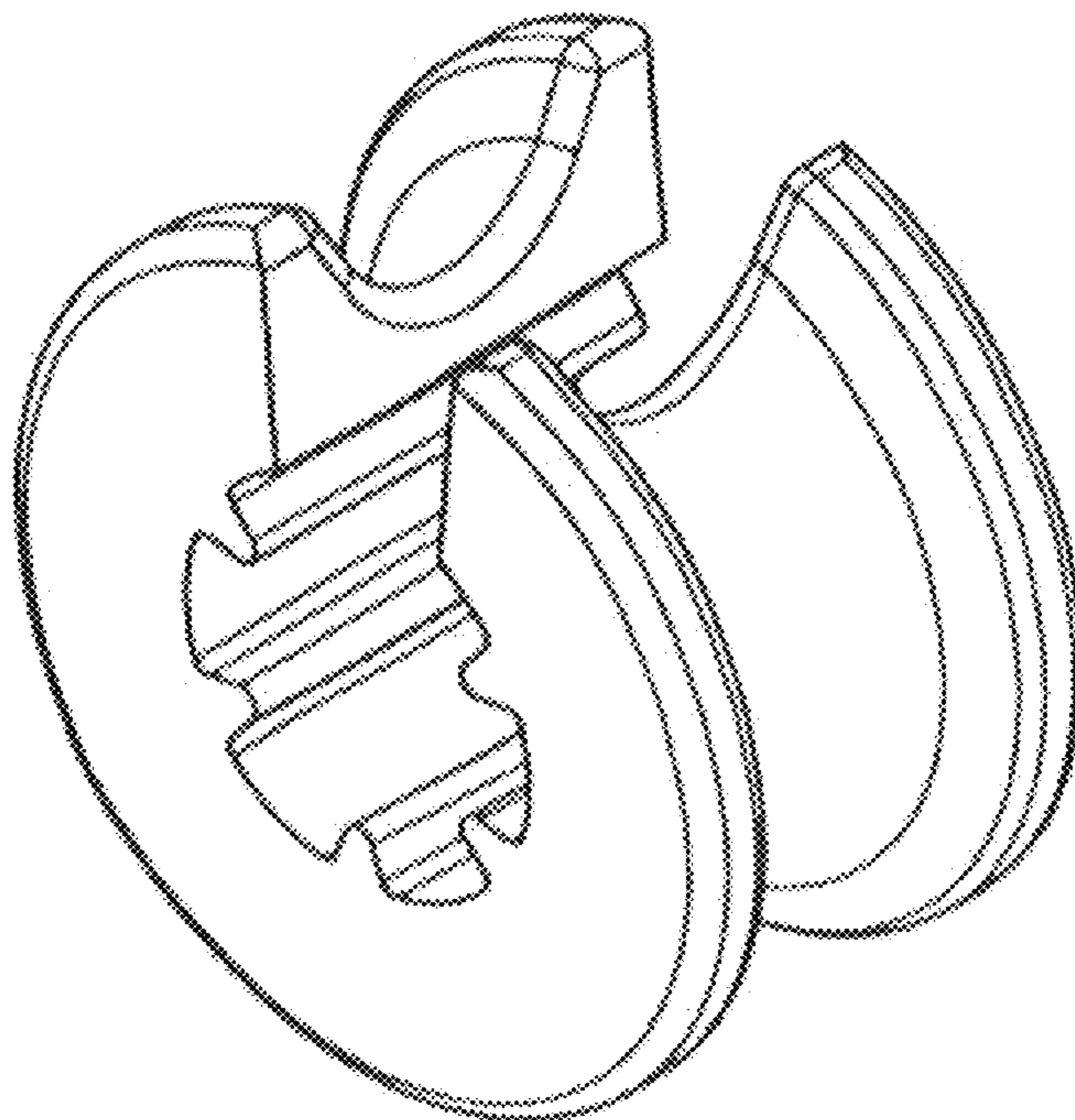
FIG. 1 is a front perspective view of an end stop gear
embodying my design;
FIG. 2 is a rear perspective view of FIG. 1;
FIG. 3 is a top plan view of FIG. 1;
FIG. 4 is a side elevational view of FIG. 1;
FIG. 5 is a vertical view of FIG. 1; and,
FIG. 6 is a bottom view of FIG. 1.

(56) **References Cited**

U.S. PATENT DOCUMENTS

D364,657 S * 11/1995 Schmidt D21/488
5,816,882 A * 10/1998 Guegan A63H 33/12
446/113

1 Claim, 3 Drawing Sheets



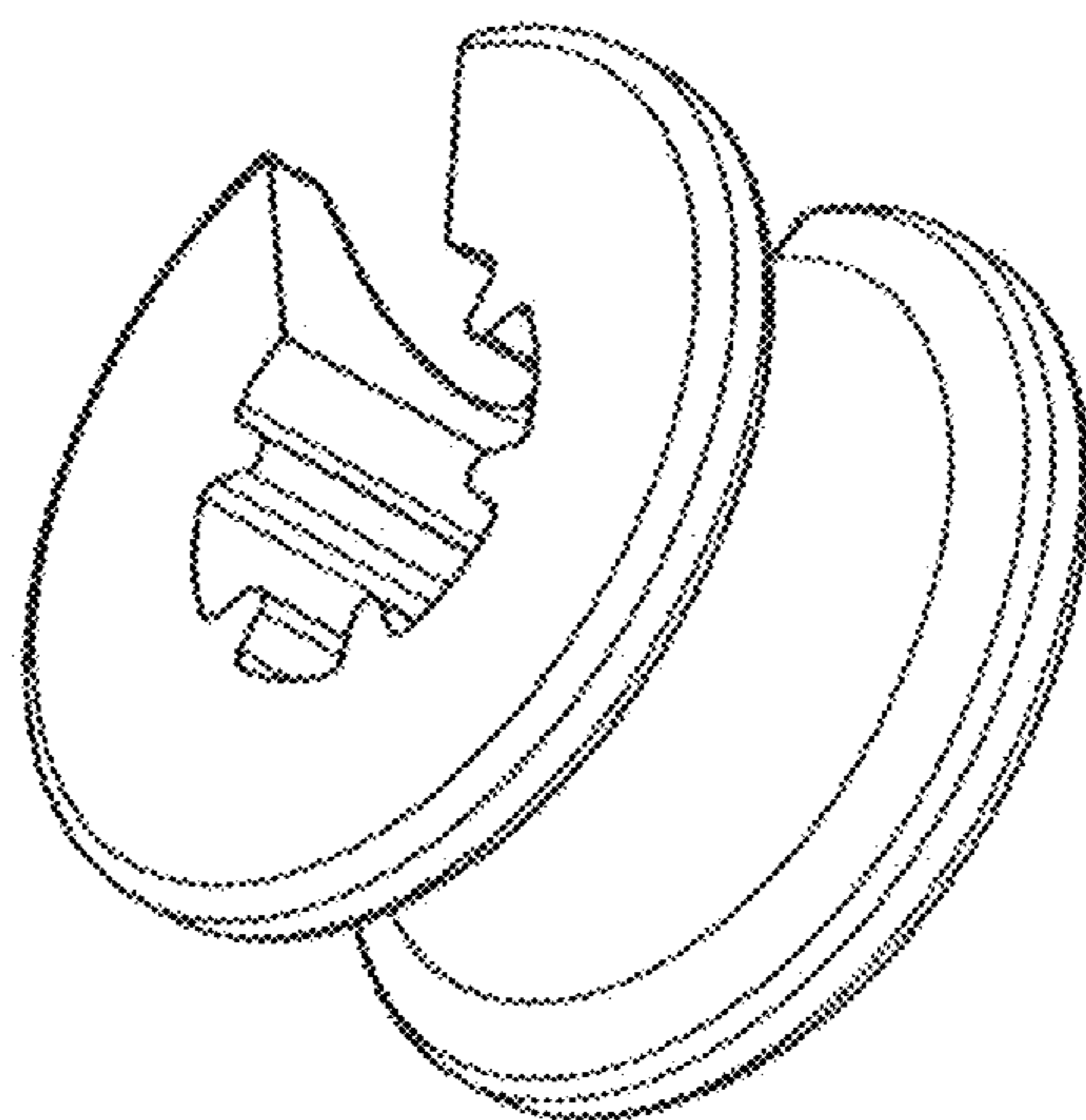


FIG. 1

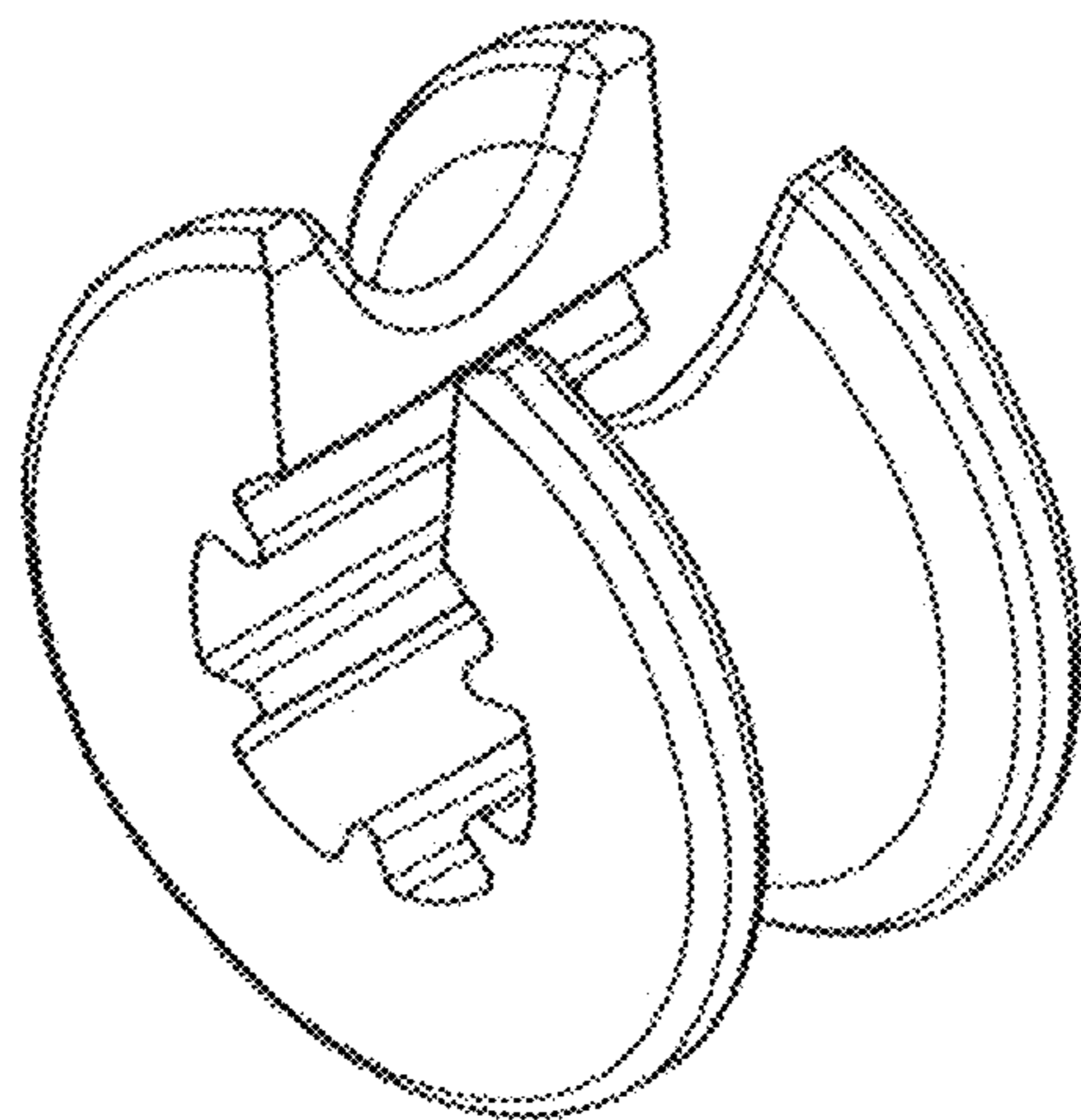


FIG. 2

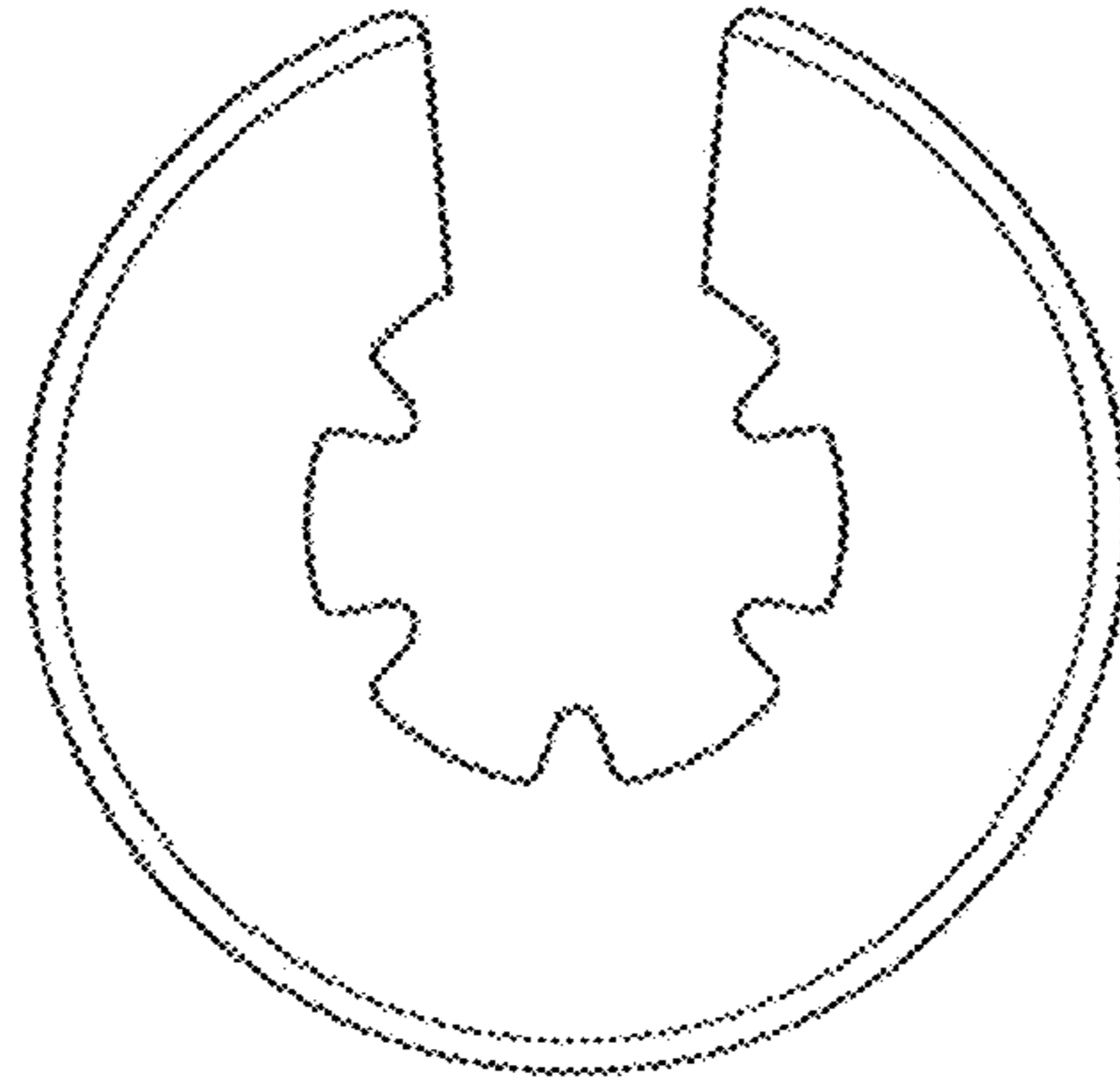


FIG. 3

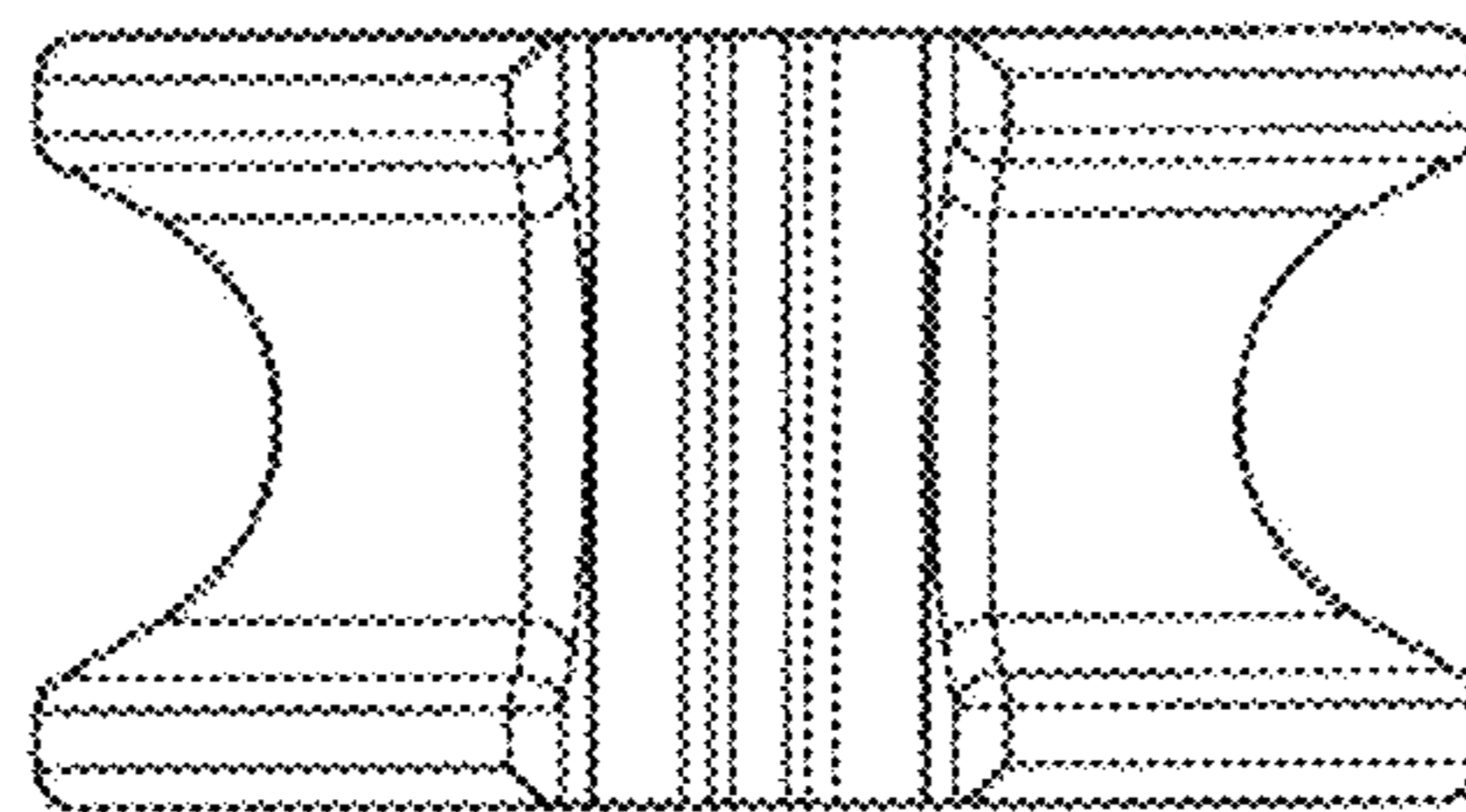


FIG. 4

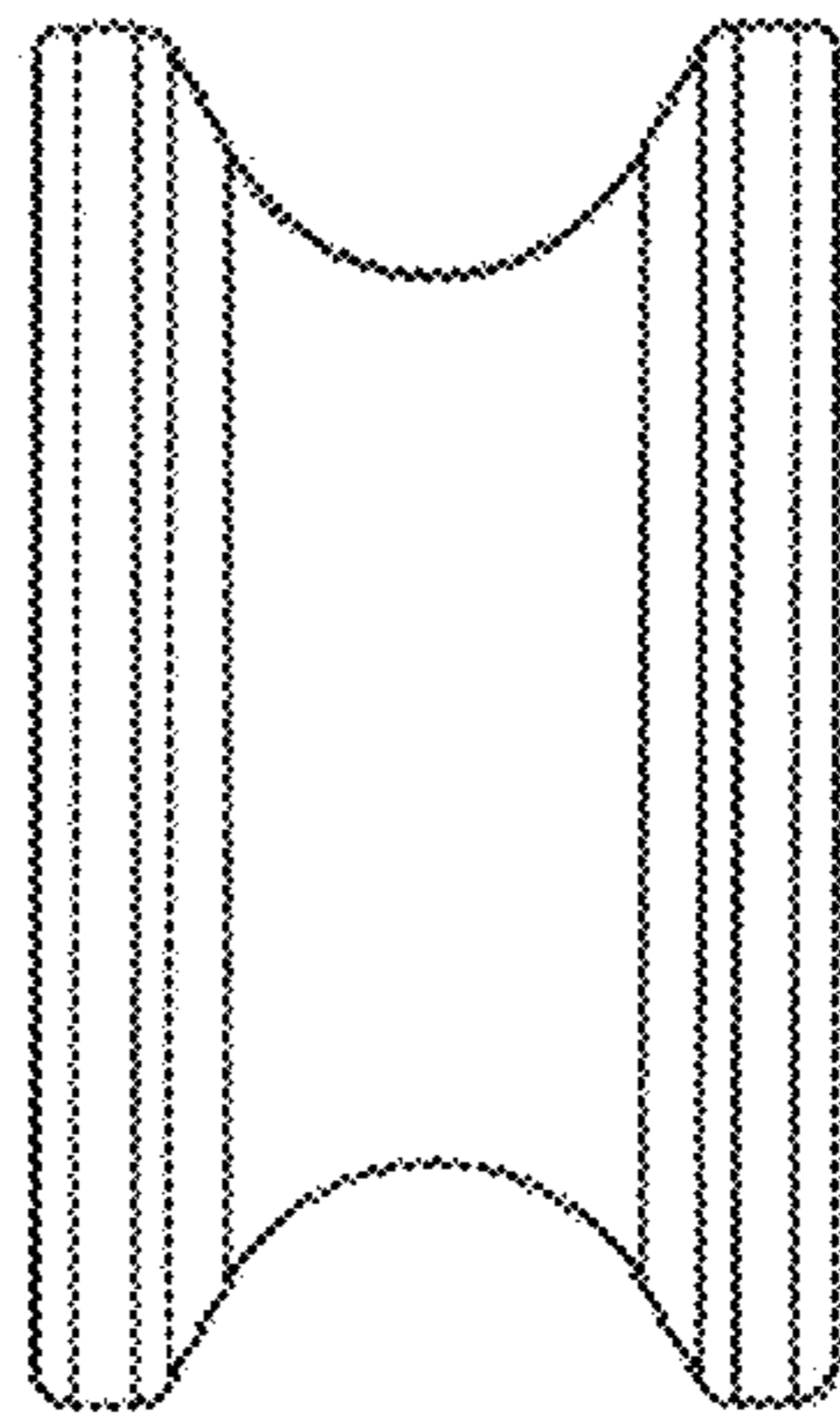


FIG. 5

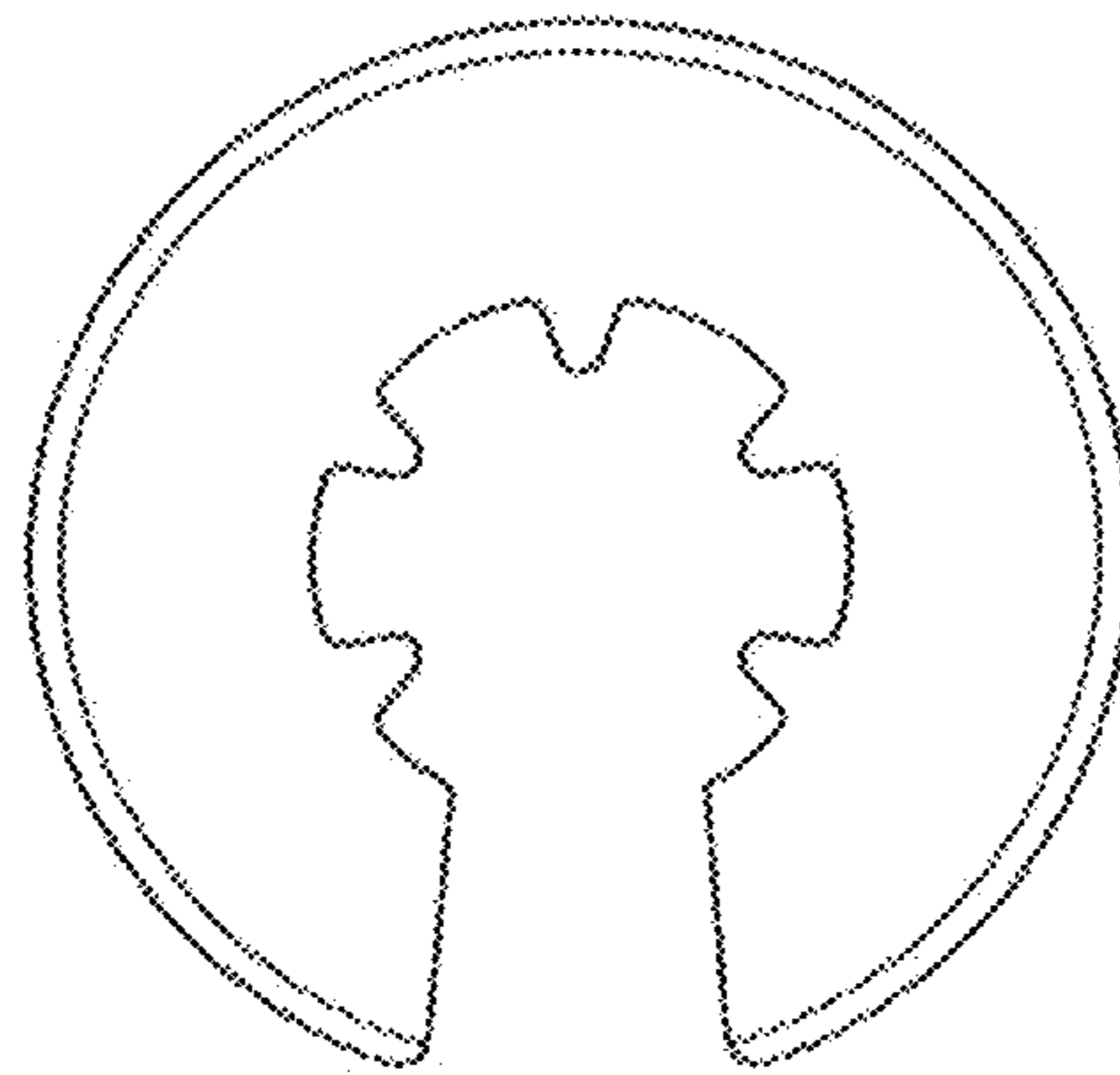


FIG. 6