

US00D812145S

(12) **United States Design Patent**
Huang et al.

(10) **Patent No.:** **US D812,145 S**
(45) **Date of Patent:** **** Mar. 6, 2018**

(54) **GAMING MACHINE**
(71) Applicant: **IBASE GAMING INC.**, New Taipei (TW)
(72) Inventors: **Nien-Chang Huang**, New Taipei (TW);
Kuo-Tung Liao, New Taipei (TW);
Yu-Chia Hung, New Taipei (TW)
(73) Assignee: **IBASE GAMING INC.** (TW)
(**) Term: **15 Years**

D424,122 S * 5/2000 Dickenson D21/325
D460,915 S * 7/2002 Lynch D21/329
6,443,837 B1 * 9/2002 Jaffe G07F 17/32
463/16
D464,377 S * 10/2002 Wurz D21/369
D509,254 S * 9/2005 Rasmussen D21/369
D525,665 S * 7/2006 Karlsson D21/329
D563,481 S * 3/2008 Looks D21/370
D594,068 S * 6/2009 Hsu D21/370
D637,652 S * 5/2011 Tahara D21/325
D678,955 S * 3/2013 Lesley D21/385
D678,956 S * 3/2013 Lesley D21/385
D678,957 S * 3/2013 Cesaroni D21/385
D678,958 S * 3/2013 Cesaroni D21/385

(Continued)

(21) Appl. No.: **29/574,763**
(22) Filed: **Aug. 18, 2016**
(30) **Foreign Application Priority Data**

Primary Examiner — Robert M. Spear
Assistant Examiner — Ryan Harvey
(74) *Attorney, Agent, or Firm* — Juan Carlos A. Marquez;
Marquez IP Law Office, PLLC

Feb. 23, 2016 (TW) 105300827

(51) **LOC (11) Cl.** **21-02**
(52) **U.S. Cl.**
USPC **D21/369**

(57) **CLAIM**
The ornamental design for a gaming machine, as shown and described.

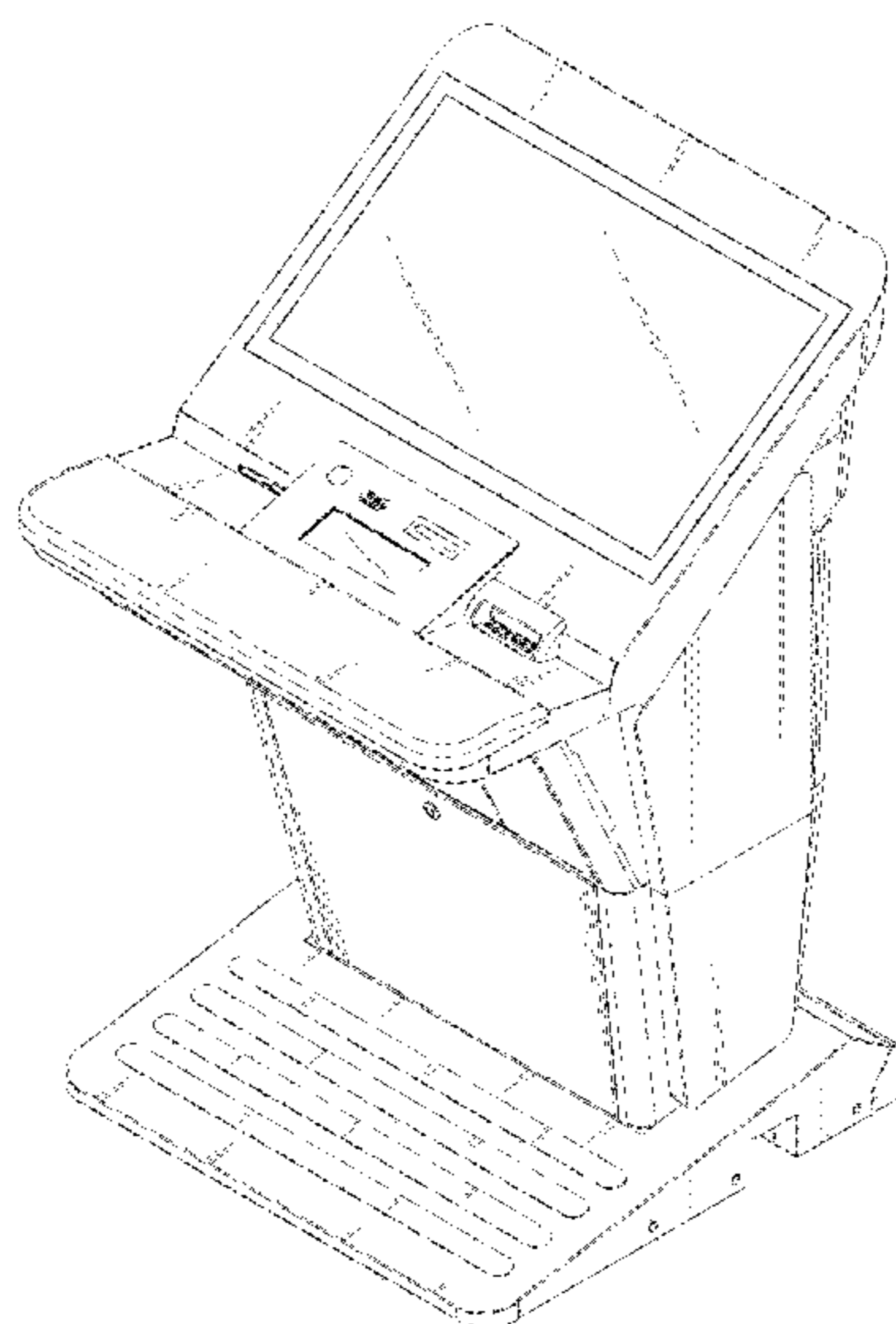
(58) **Field of Classification Search**
USPC D21/369, 370, 371, 385, 329, 325, 394;
D14/307, 172, 129, 325, 401, 371, 126,
D14/439, 432, 450, 128, 375; 463/28,
463/13, 11, 16, 20, 25, 31, 46, 23, 30, 17,
463/36, 29, 42, 34, 32, 35, 19, 21, 22;
273/292, 203, 138.2, 143 R, 142 R, 138.1;
D19/60; D16/226; D8/335, 331, 334;
D26/14
CPC G07F 17/32; G07F 17/34; G07F 17/3211;
G07F 17/3244; G07F 17/3267
See application file for complete search history.

DESCRIPTION

FIG. 1 is a perspective view of a gaming machine showing my new design;
FIG. 2 is a front elevational view thereof;
FIG. 3 is a rear elevational view thereof;
FIG. 4 is a left elevational view thereof;
FIG. 5 is a right elevational view thereof;
FIG. 6 is a top view thereof;
FIG. 7 is a bottom view thereof;
FIG. 8 is a perspective view of a gaming machine viewing from another side; and,
FIG. 9 is a perspective view of a gaming machine viewing from yet another side.
The broken line portion of the figure drawings is included to show unclaimed subject matter only and forms no part of the claimed design.

(56) **References Cited**
U.S. PATENT DOCUMENTS
D333,164 S * 2/1993 Kraft D21/325
D351,869 S * 10/1994 Rothschild D21/326
D373,809 S * 9/1996 Hirato D21/327

1 Claim, 9 Drawing Sheets



(56)

References Cited

U.S. PATENT DOCUMENTS

D681,130 S * 4/2013 Lesley D21/385
D682,948 S * 5/2013 Cesaroni D21/385
D691,666 S * 10/2013 Lesley D21/370
8,641,514 B2 * 2/2014 Malek G07F 17/3244
273/292
8,663,009 B1 * 3/2014 Pacey G07F 17/3265
463/16
D704,275 S * 5/2014 Lesley D21/370
8,808,077 B1 * 8/2014 Chun G07F 17/3293
463/11
9,033,806 B2 * 5/2015 Bruzzese G07F 17/3216
463/46
9,715,784 B2 * 7/2017 Bennett G07F 17/3244
9,741,200 B2 * 8/2017 Lesley G07F 17/3211
2017/0039803 A1 * 2/2017 Lesley G07F 17/3216

* cited by examiner

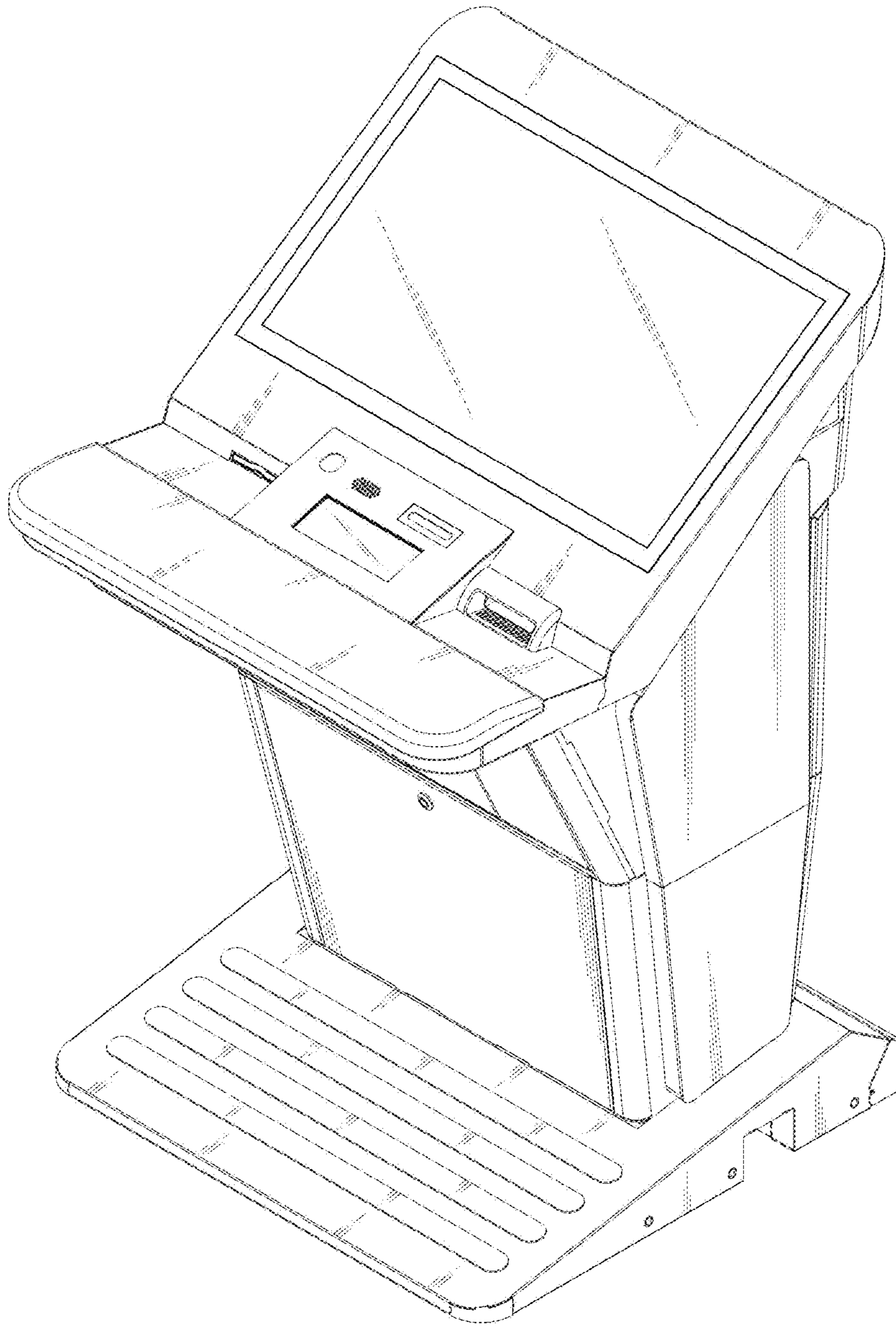


FIG. 1

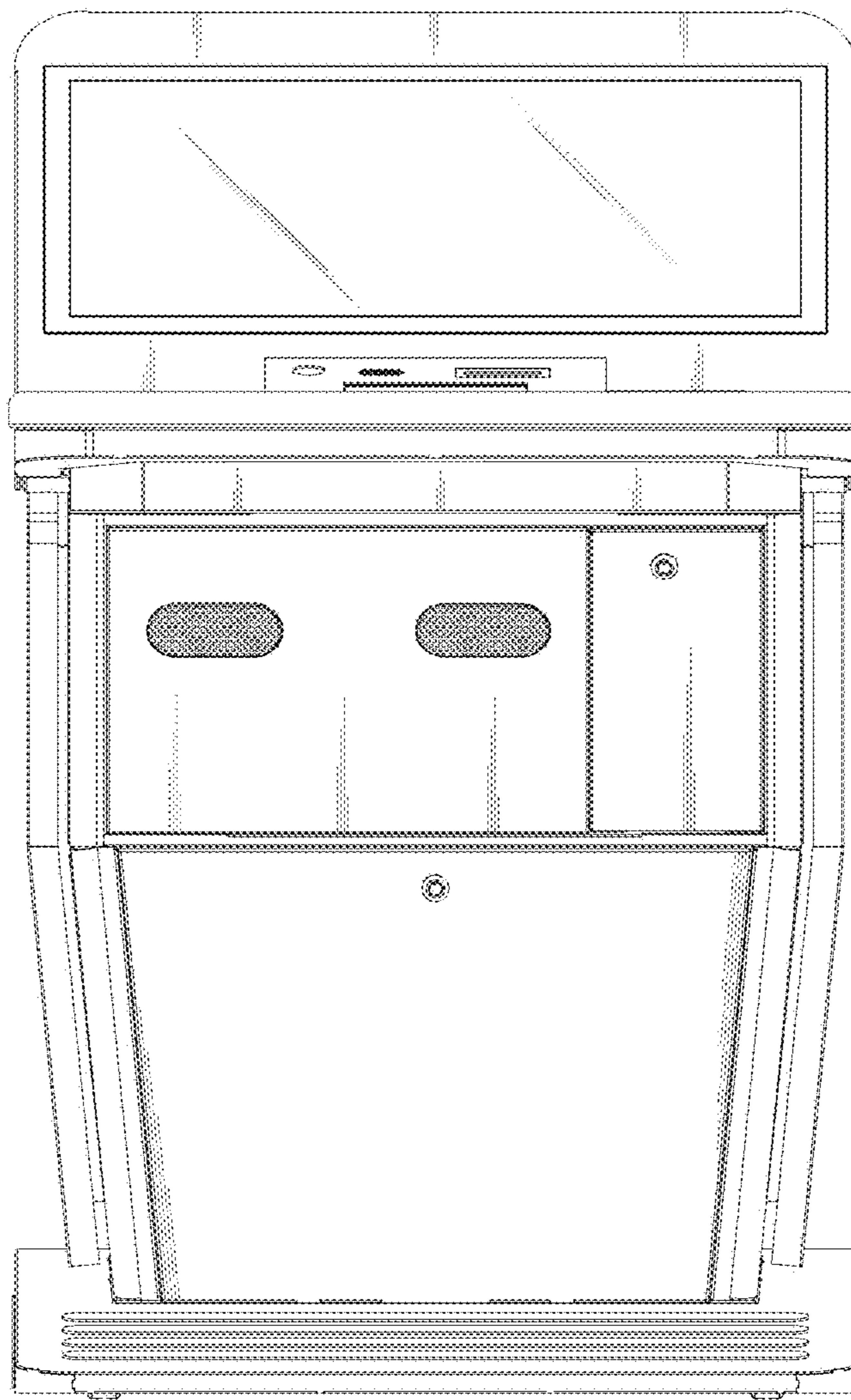


FIG. 2

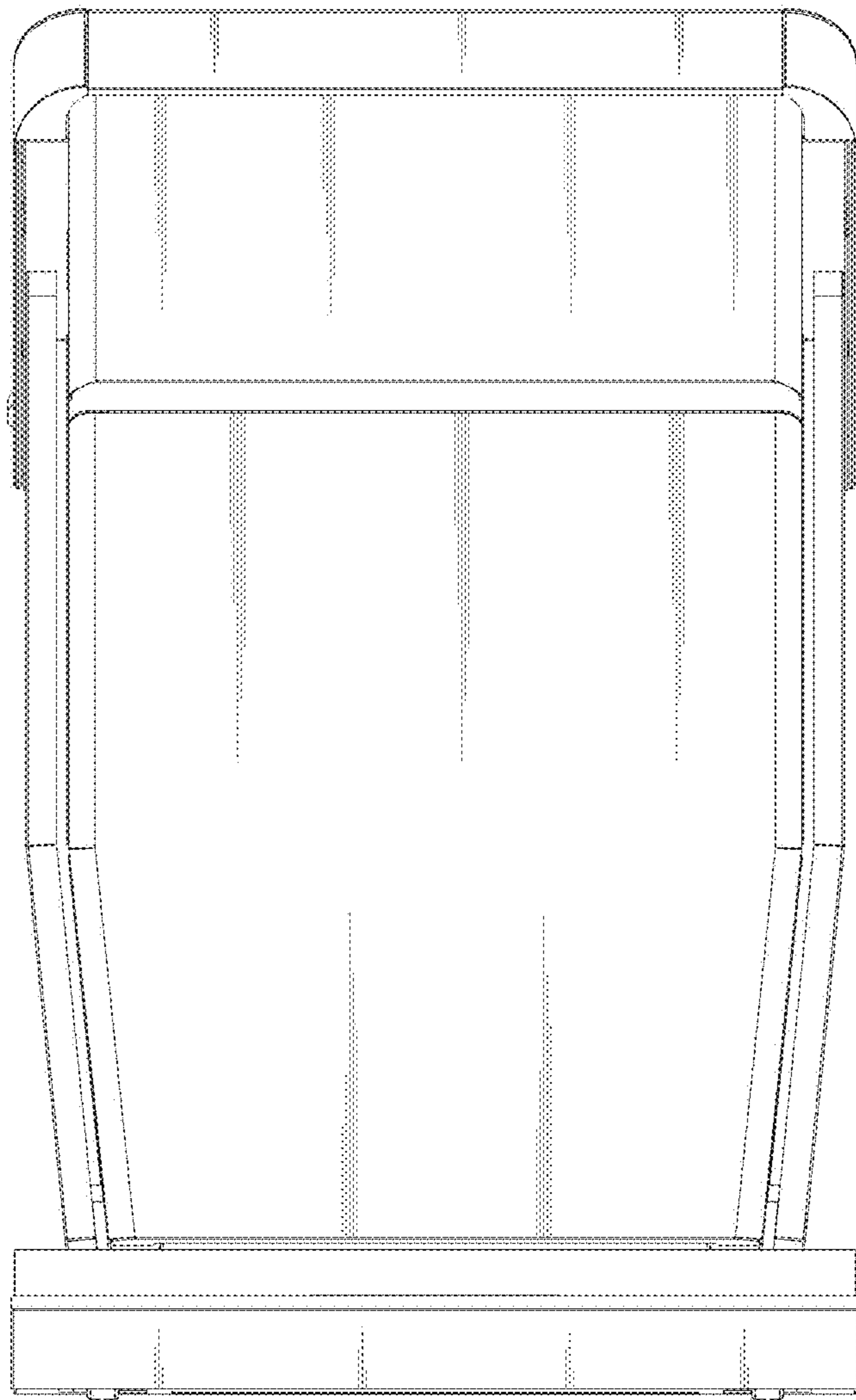


FIG. 3

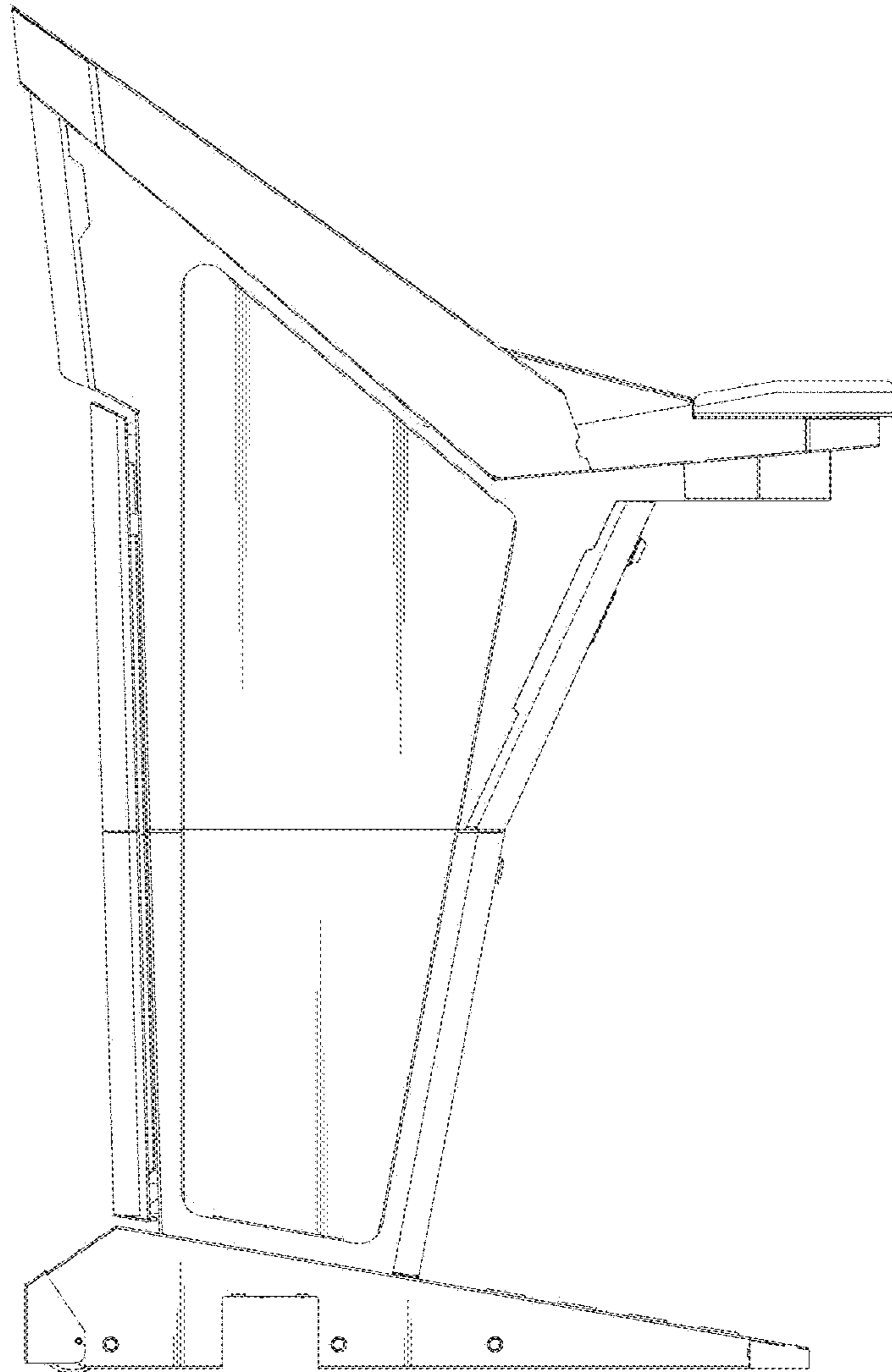


FIG. 4

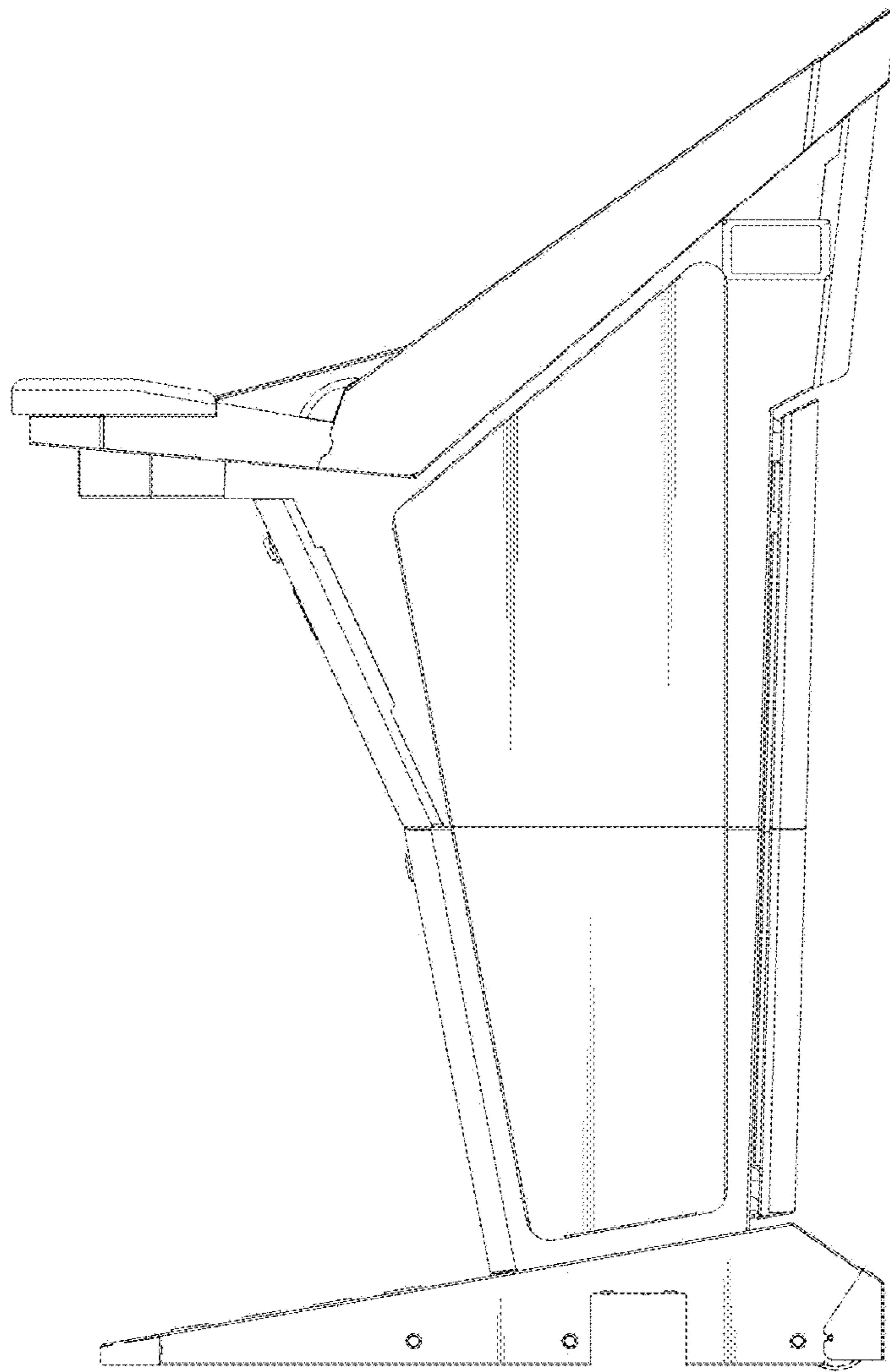


FIG. 5

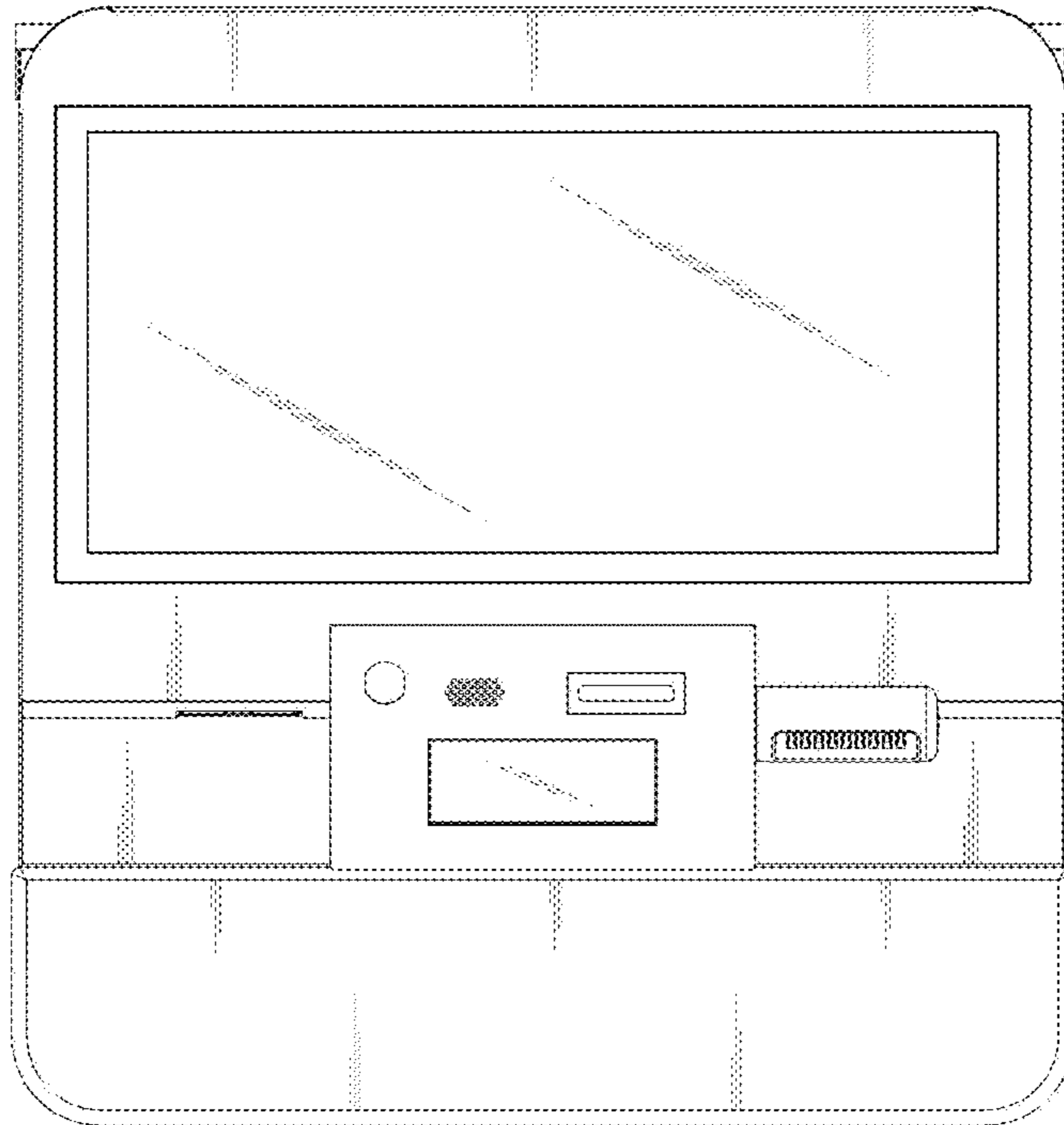


FIG. 6

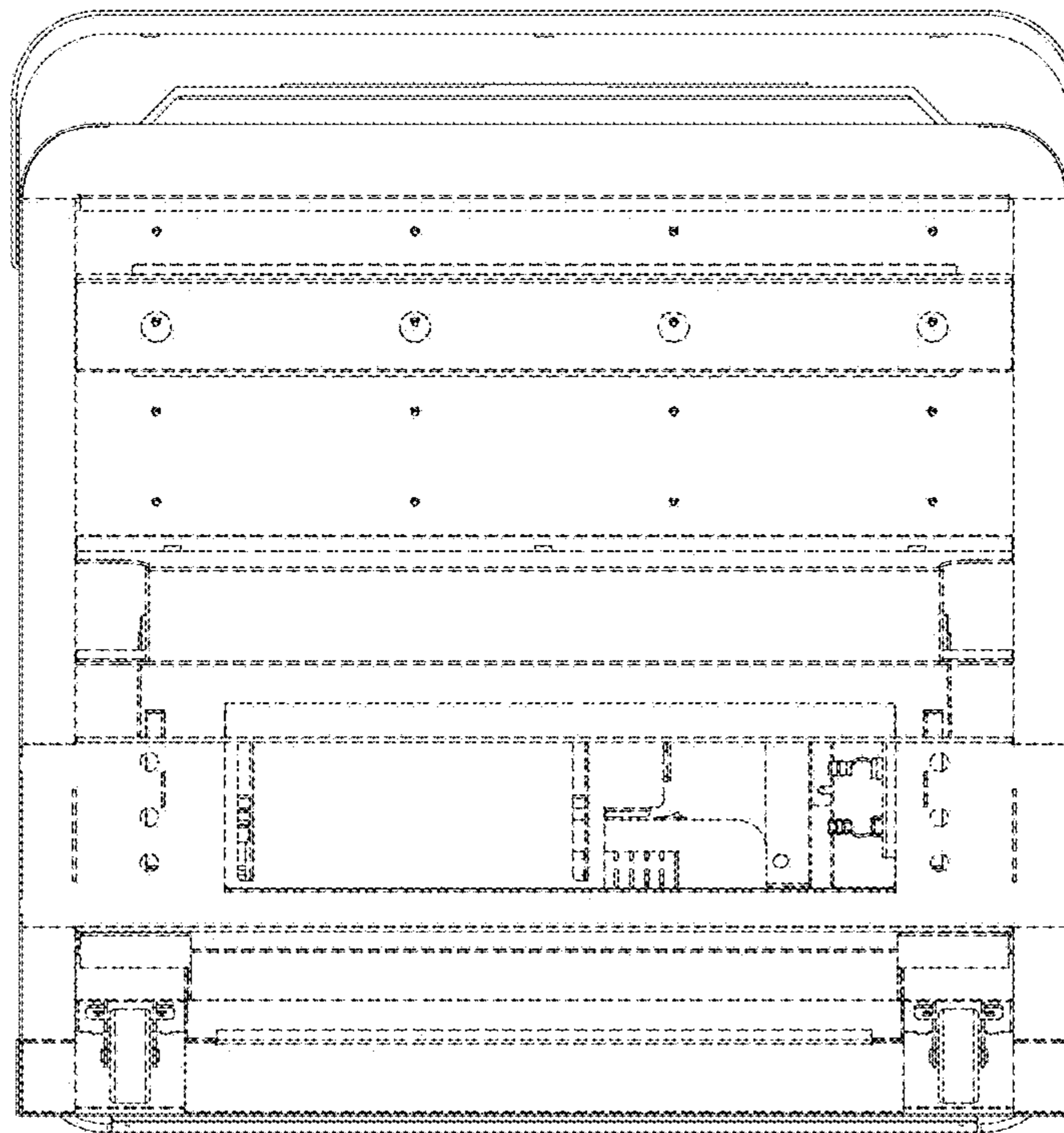


FIG. 7

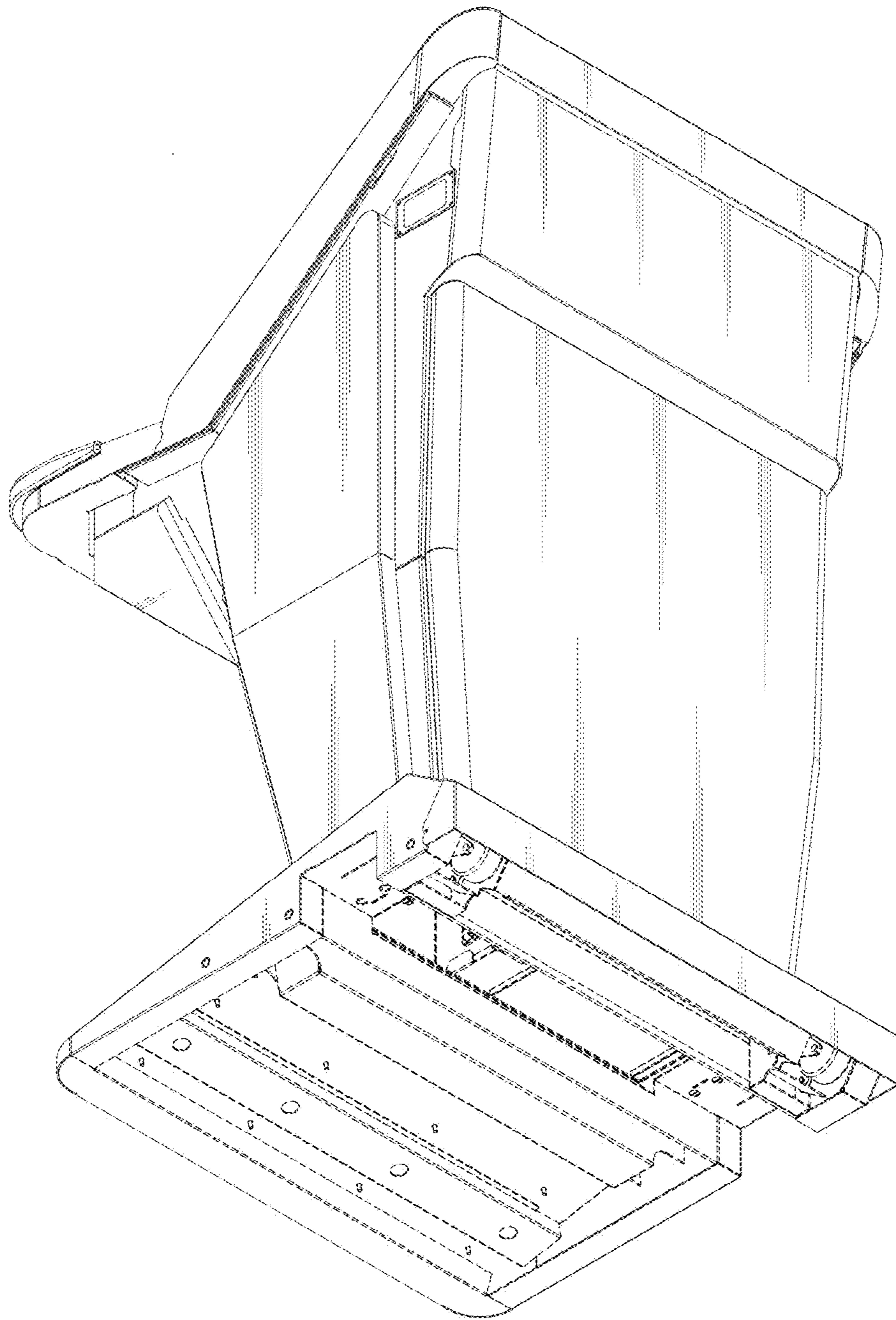


FIG. 8

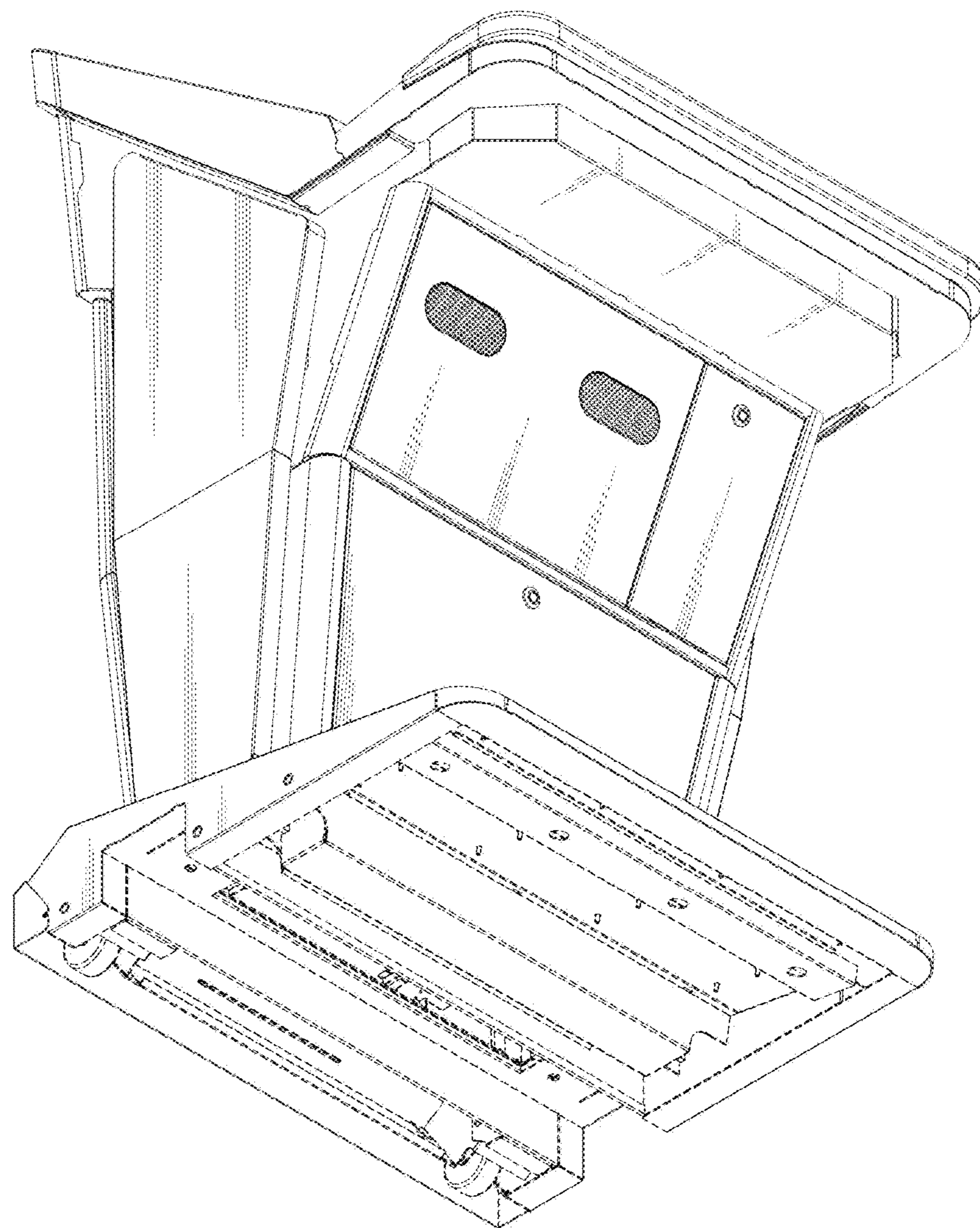


FIG. 9