



US00D812144S

(12) **United States Design Patent**
Chandrasiri et al.

(10) **Patent No.:** **US D812,144 S**
(45) **Date of Patent:** **** Mar. 6, 2018**

(54) **JOYSTICK RING**

CPC .. A63F 13/00; A63F 13/02; A63F 9/00; G06F 17/00; G06F 19/00

(71) Applicant: **Verizon Patent and Licensing Inc.**,
Arlington, VA (US)

See application file for complete search history.

(72) Inventors: **Lama Hewage Ravi Prathapa Chandrasiri**, Princeton Junction, NJ (US); **Syed Meeran Kamal**, Raritan, NJ (US); **Jonathan A. Globerson**, Sunny Isles Beach, FL (US); **Mohammad Raheel Khalid**, Budd Lake, NJ (US)

(56) **References Cited**

U.S. PATENT DOCUMENTS

(73) Assignee: **Verizon Patent and Licensing Inc.**,
Basking Ridge, NJ (US)

(**) Term: **15 Years**

(21) Appl. No.: **29/589,806**

(22) Filed: **Jan. 4, 2017**

(51) **LOC (11) Cl.** **21-01**

(52) **U.S. Cl.**
USPC **D21/333**; D14/496; D14/203.3;
D14/203.5

(58) **Field of Classification Search**
USPC D14/496, 401, 435, 474, 483, 217, 137,
D14/138, 160, 168, 356, 203.1–203.8,
D14/507; 345/156, 169, 173–179, 905;
715/727–729, 864, 700, 706, 719; 710/1,
710/5, 8; 713/1, 600; 455/1.1, 1.7, 73,
455/344–347, 93, 95, 3.01–3.06, 550.1,
455/573.1; 370/342–344; 369/1, 2,
369/6–12; 463/51–57, 40–47, 1, 29–35;
D21/324, 328, 333; 273/148 B;
D10/46.1

5,181,009 A * 1/1993 Perona G04B 37/12
273/DIG. 26
5,265,009 A * 11/1993 Colavita A63F 1/18
273/148 R
6,192,253 B1 * 2/2001 Charlier H04B 1/385
455/340
6,970,157 B2 * 11/2005 Siddeeq G06F 1/163
345/168
7,004,469 B2 * 2/2006 von Goeben A63B 69/004
273/348
7,106,197 B2 * 9/2006 Gaiotto B64D 45/0015
340/539.11
D586,823 S * 2/2009 Anderson D14/496
D616,417 S * 5/2010 Liao D14/203.5
8,188,842 B2 * 5/2012 Otsuka G08C 17/02
340/12.15
9,141,087 B2 * 9/2015 Brown G04F 10/00
D772,807 S * 11/2016 Chen D13/103

(Continued)

Primary Examiner — Prabhakar G Deshmukh

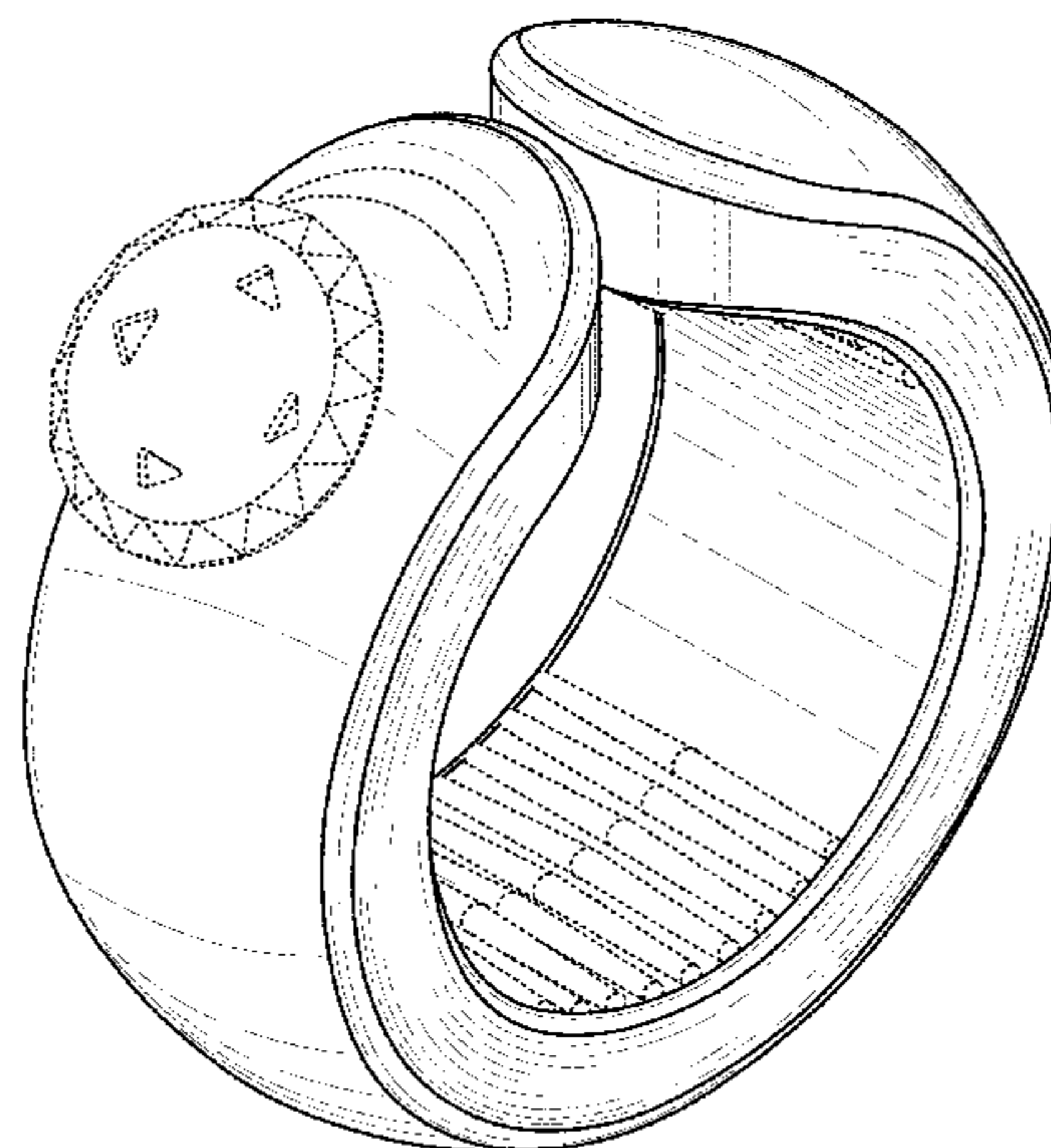
(57) **CLAIM**

What is claimed is the ornamental design for a joystick ring, as shown and described.

DESCRIPTION

FIG. 1 is a top, front, left-side perspective view of a joystick ring;
FIG. 2 is top view thereof;
FIG. 3 is a front view thereof;
FIG. 4 is a right-side view thereof;
FIG. 5 is a left-side view thereof;
FIG. 6 is a rear view thereof;
FIG. 7 is a bottom view thereof; and,
FIG. 8 is a bottom, front, right-side perspective view thereof.

(Continued)



The broken lines shown in the drawings are for illustrative purposes only and form no part of the claimed design.

1 Claim, 8 Drawing Sheets

(56)

References Cited

U.S. PATENT DOCUMENTS

D780,807 S * 3/2017 Chen D14/203.3
D795,959 S * 8/2017 Chen D14/203.3

* cited by examiner

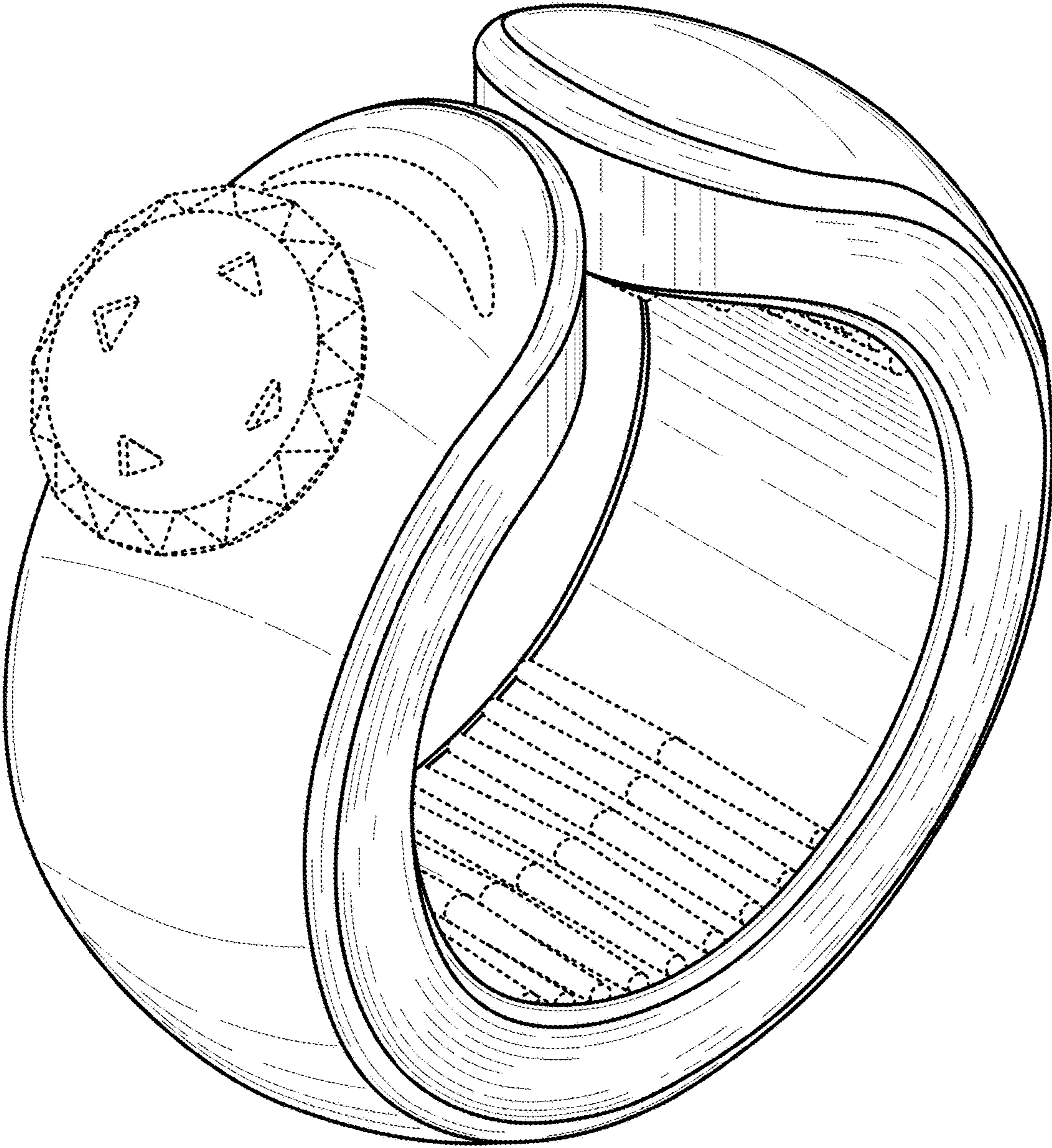


Fig. 1

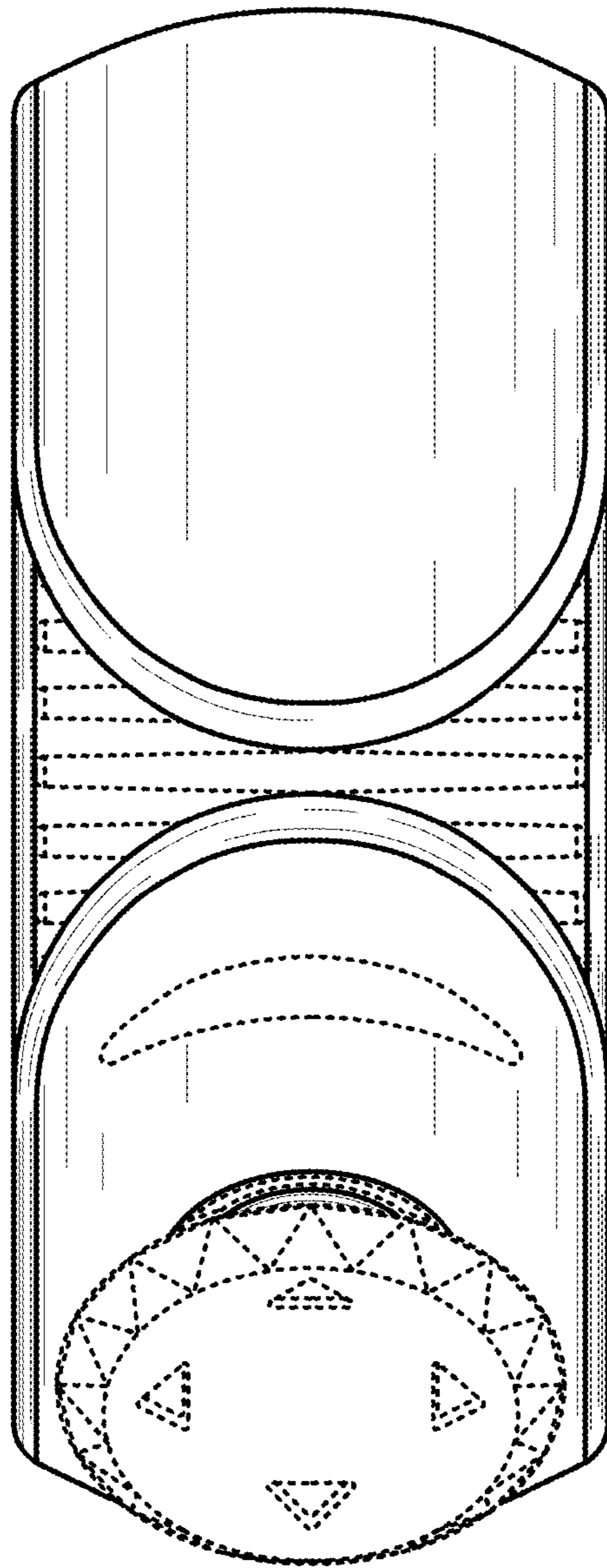


Fig. 2

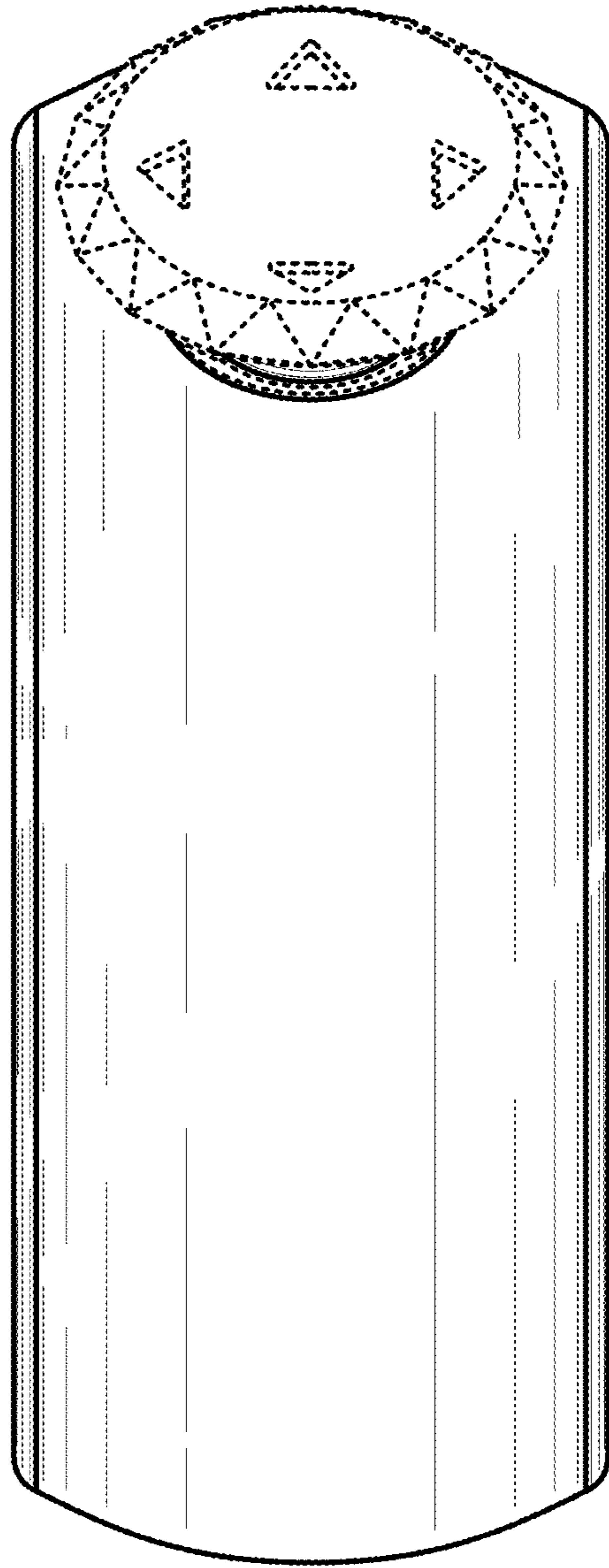


Fig. 3

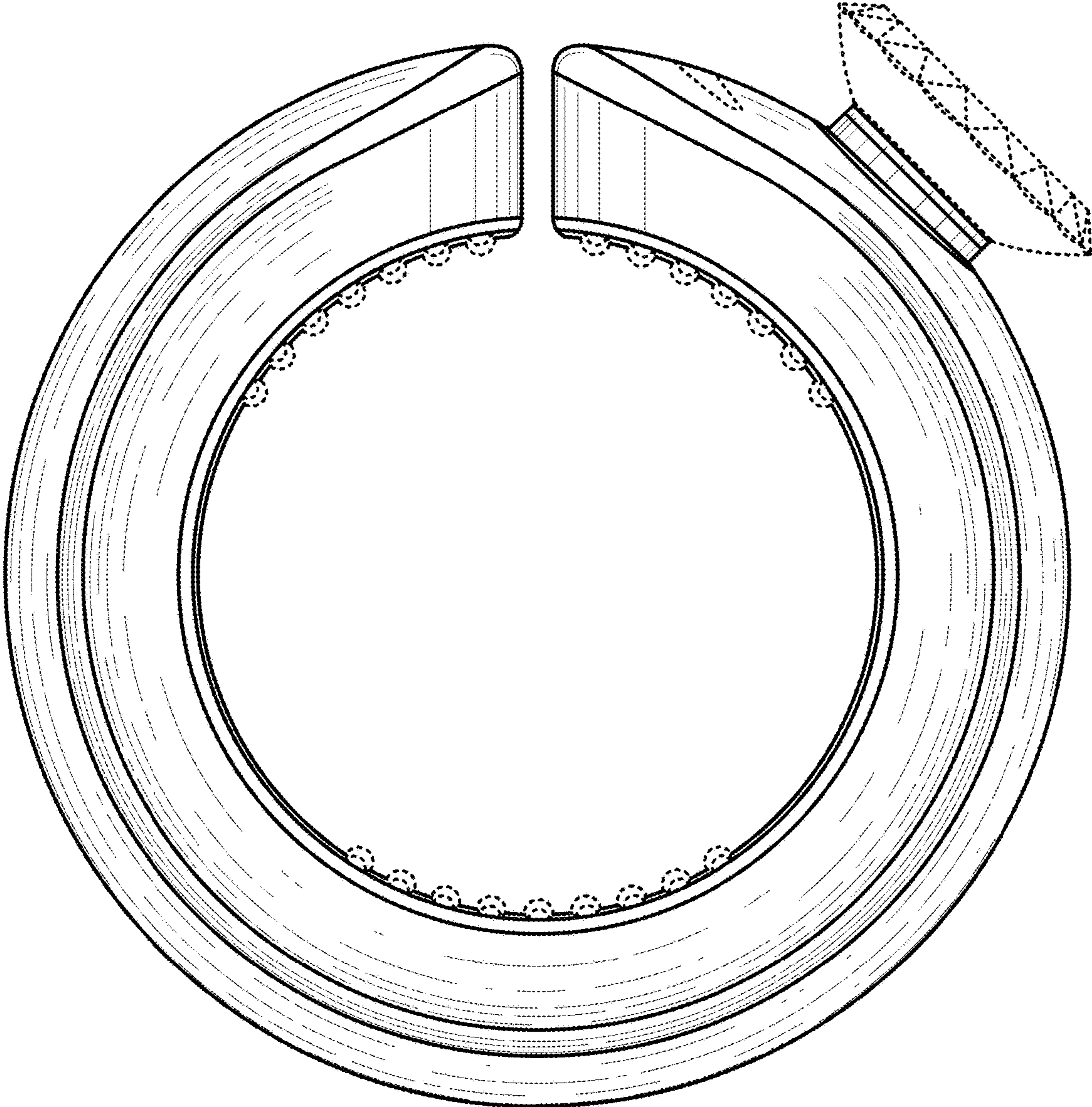


Fig. 4

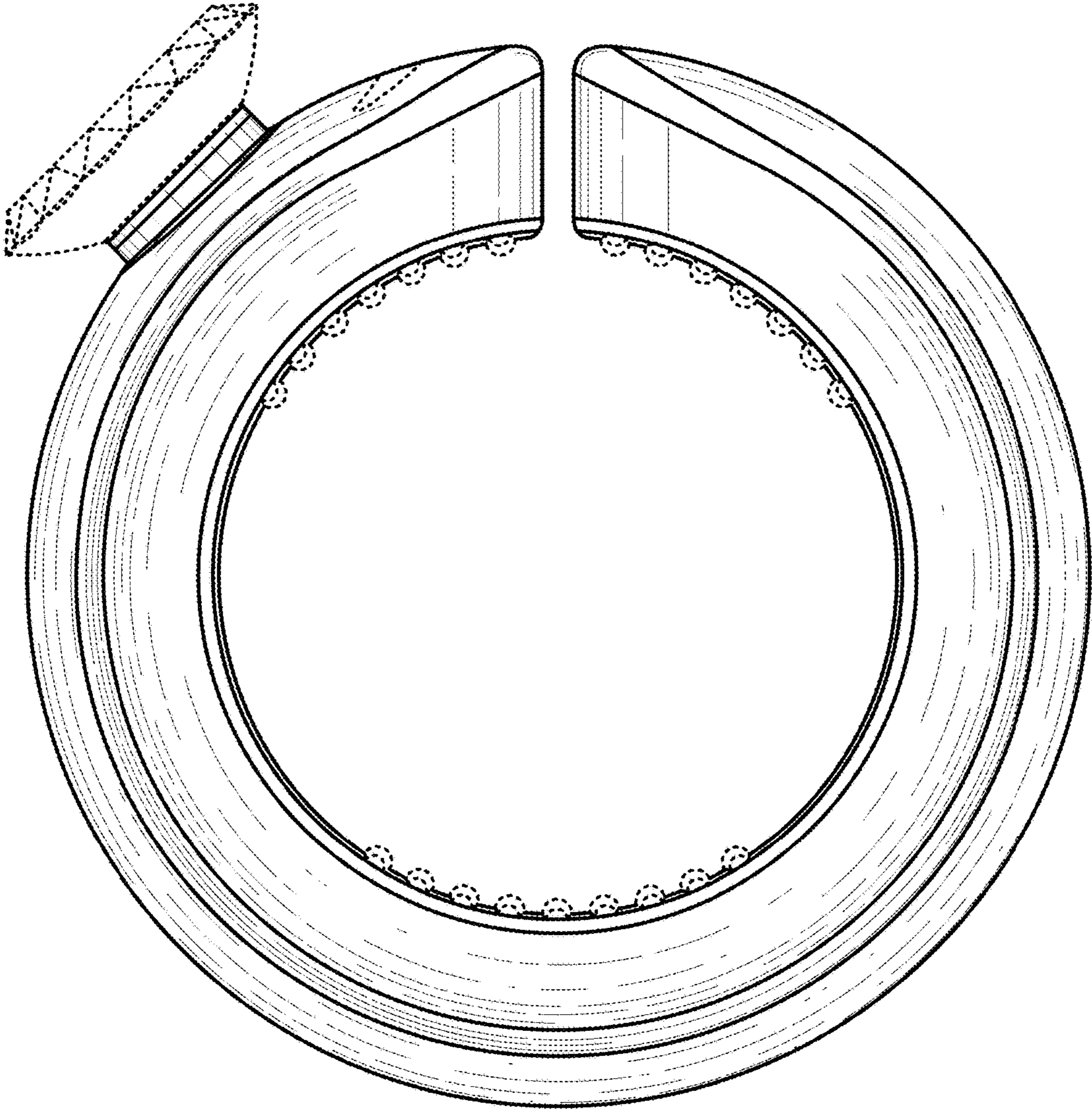


Fig. 5

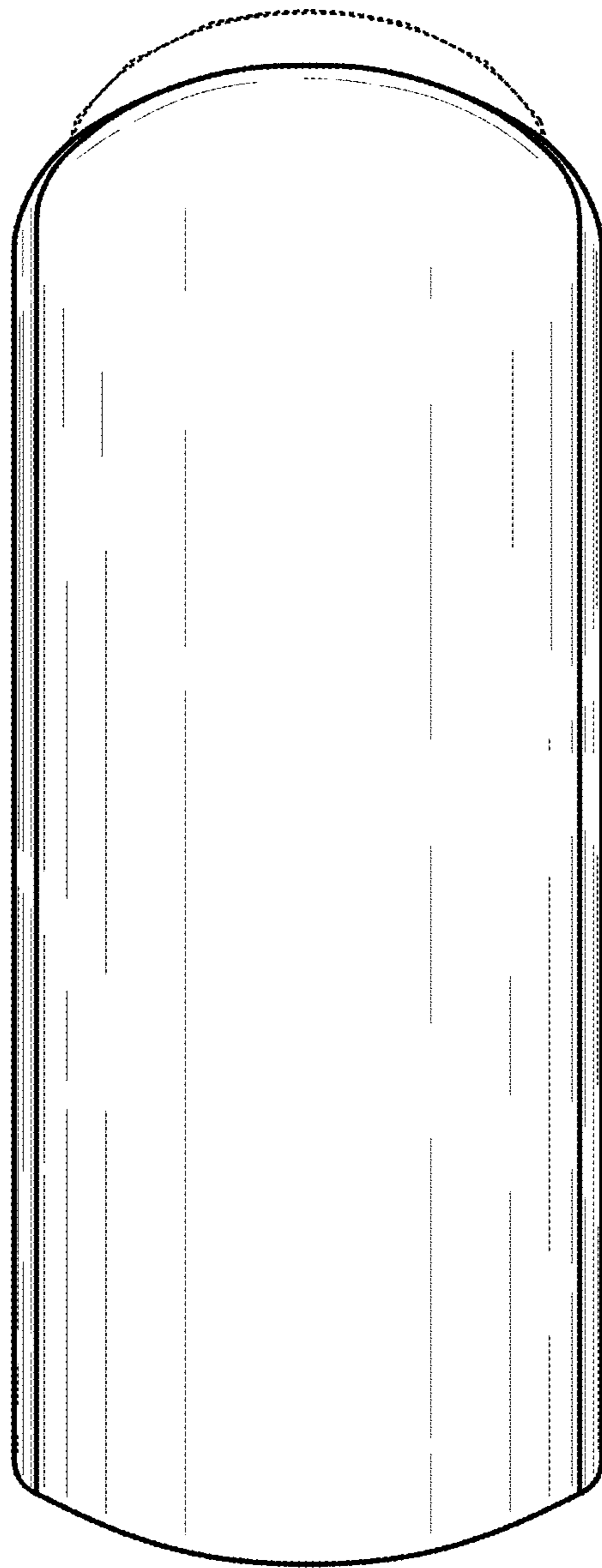


Fig. 6



Fig. 7

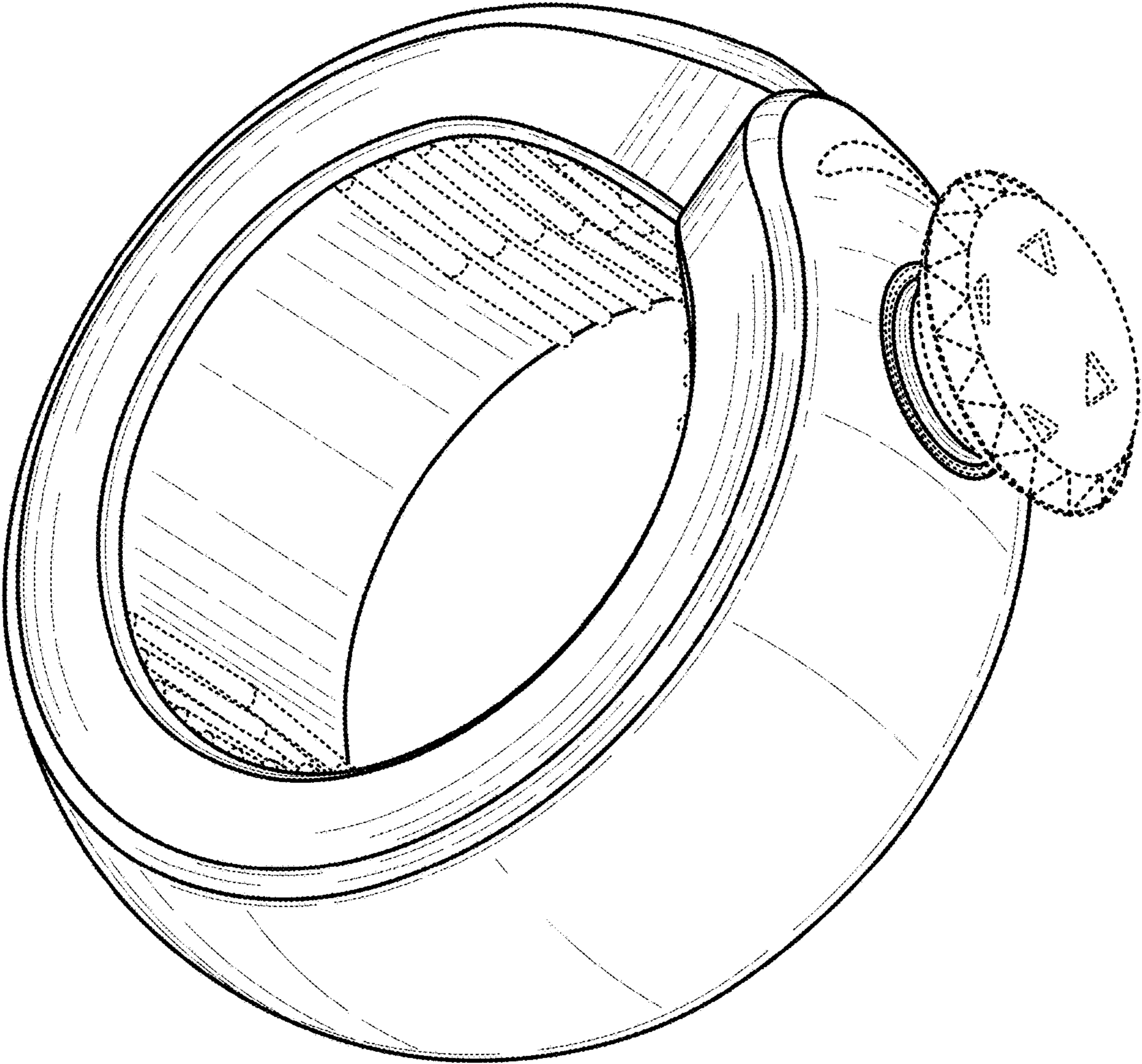


Fig. 8