



US00D812142S

(12) **United States Design Patent**  
**Clemmer**

(10) **Patent No.:** **US D812,142 S**

(45) **Date of Patent:** **\*\* Mar. 6, 2018**

(54) **SHOOTING DUCK GAME**  
(71) Applicant: **MerchSource, LLC**, Irvine, CA (US)  
(72) Inventor: **Jesse Clemmer**, Huntington Beach, CA (US)

5,779,570 A \* 7/1998 Bear ..... A63B 63/08  
273/401  
D430,221 S \* 8/2000 Quintana ..... D21/303  
6,726,208 B2 \* 4/2004 Wilkus ..... F41J 1/10  
248/523  
D618,283 S \* 6/2010 Hodge ..... D21/302  
D684,636 S \* 6/2013 Chen ..... D21/302  
D742,971 S \* 11/2015 Peccini ..... D21/302

(73) Assignee: **MerchSource, LLC**, Irvine, CA (US)

\* cited by examiner

(\*\*) Term: **15 Years**

*Primary Examiner* — Prabhakar Deshmukh

(21) Appl. No.: **29/590,732**

(74) *Attorney, Agent, or Firm* — Avyno Law P.C.

(22) Filed: **Jan. 12, 2017**

(51) **LOC (11) Cl.** ..... **21-01**

(57) **CLAIM**

(52) **U.S. Cl.**  
USPC ..... **D21/302; D21/303**

I claim the ornamental design for shooting duck game, as shown and described.

(58) **Field of Classification Search**  
USPC ..... D21/300, 302, 303, 305, 334, 335;  
273/348, 336, 398–402, 407, 317, 371.1,  
273/343, 367–369, 371, 381, 386  
CPC ..... A63F 7/06; A63F 3/02; A63F 3/06; A63F  
9/02; A63B 67/00; A63B 63/08; A63B  
7/00

**DESCRIPTION**

See application file for complete search history.

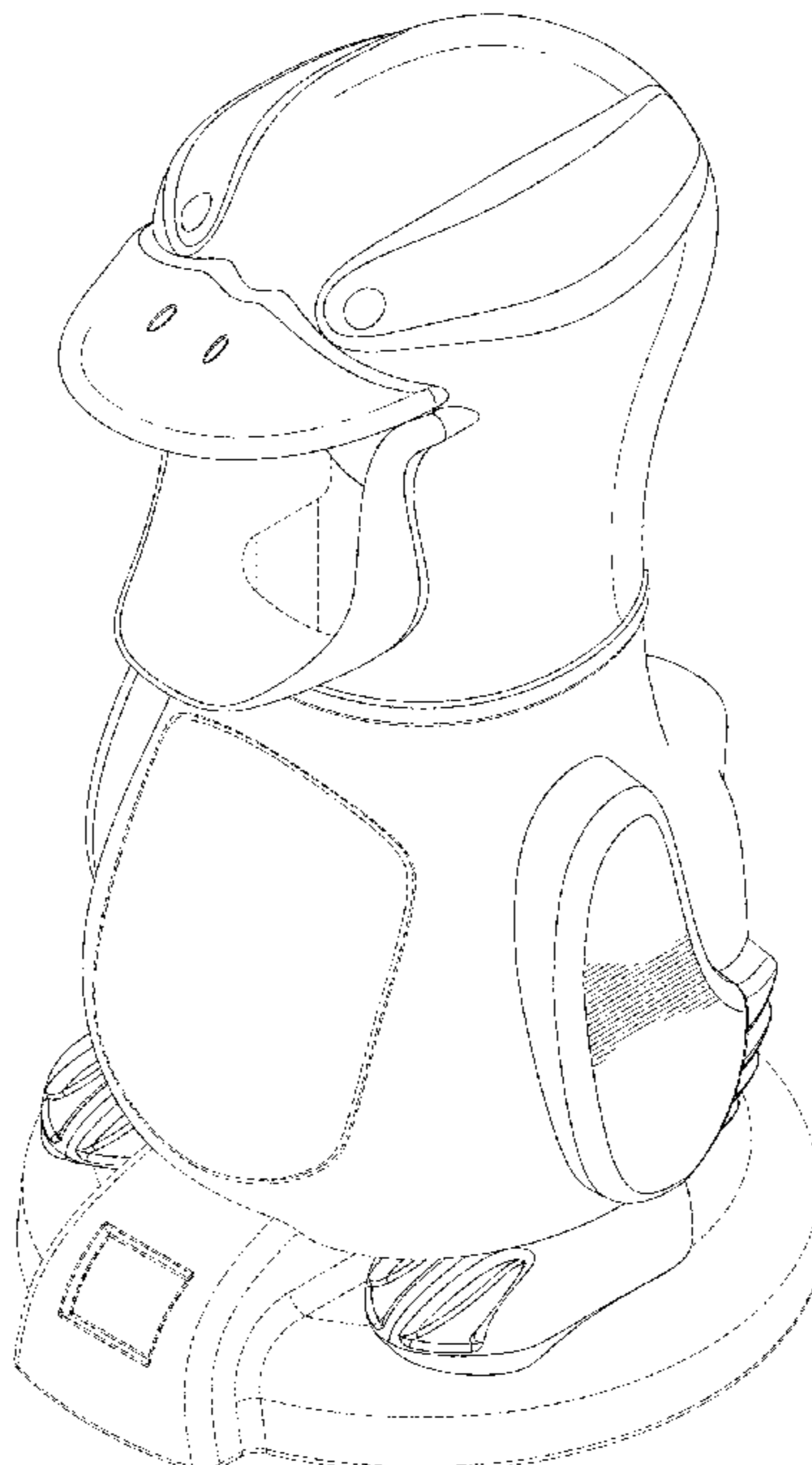
FIG. 1 is a front perspective view of a shooting duck game. FIG. 2 is an alternate front perspective view of a shooting duck game. FIG. 3 is a front view of the shooting duck game of FIG. 1. FIG. 4 is a rear view of the shooting duck game of FIG. 1. FIG. 5 is a side view of the right side of the shooting duck game of FIG. 1. FIG. 6 is a side view of the left side of the shooting duck game of FIG. 1. FIG. 7 is a top view of the shooting duck game of FIG. 1; and, FIG. 8 is a bottom view of the shooting duck game of FIG. 1. The dashed lines in various figures are for illustrative purposes only and form no part of the claimed design.

(56) **References Cited**

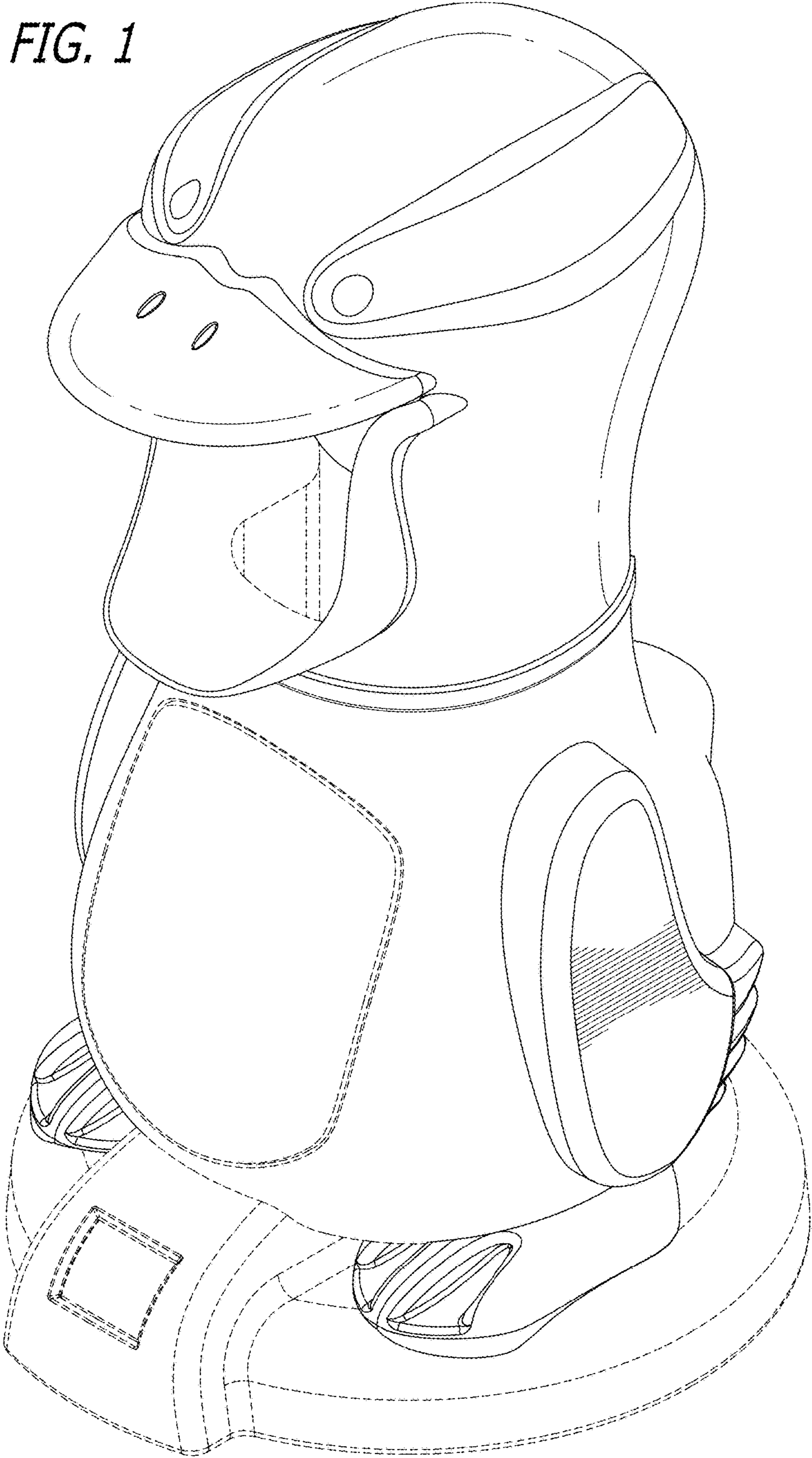
**U.S. PATENT DOCUMENTS**

2,926,916 A \* 3/1960 Pearson, Jr. .... A63H 3/003  
273/374  
D213,273 S \* 1/1969 Wormser ..... D21/302  
D240,248 S \* 6/1976 Himmelman ..... D21/303  
D243,865 S \* 3/1977 Laut ..... D21/303  
D341,629 S \* 11/1993 Rippin ..... D21/303  
D349,928 S \* 8/1994 Rippin ..... D21/303  
5,762,569 A \* 6/1998 Hale ..... A63B 24/0021  
273/400

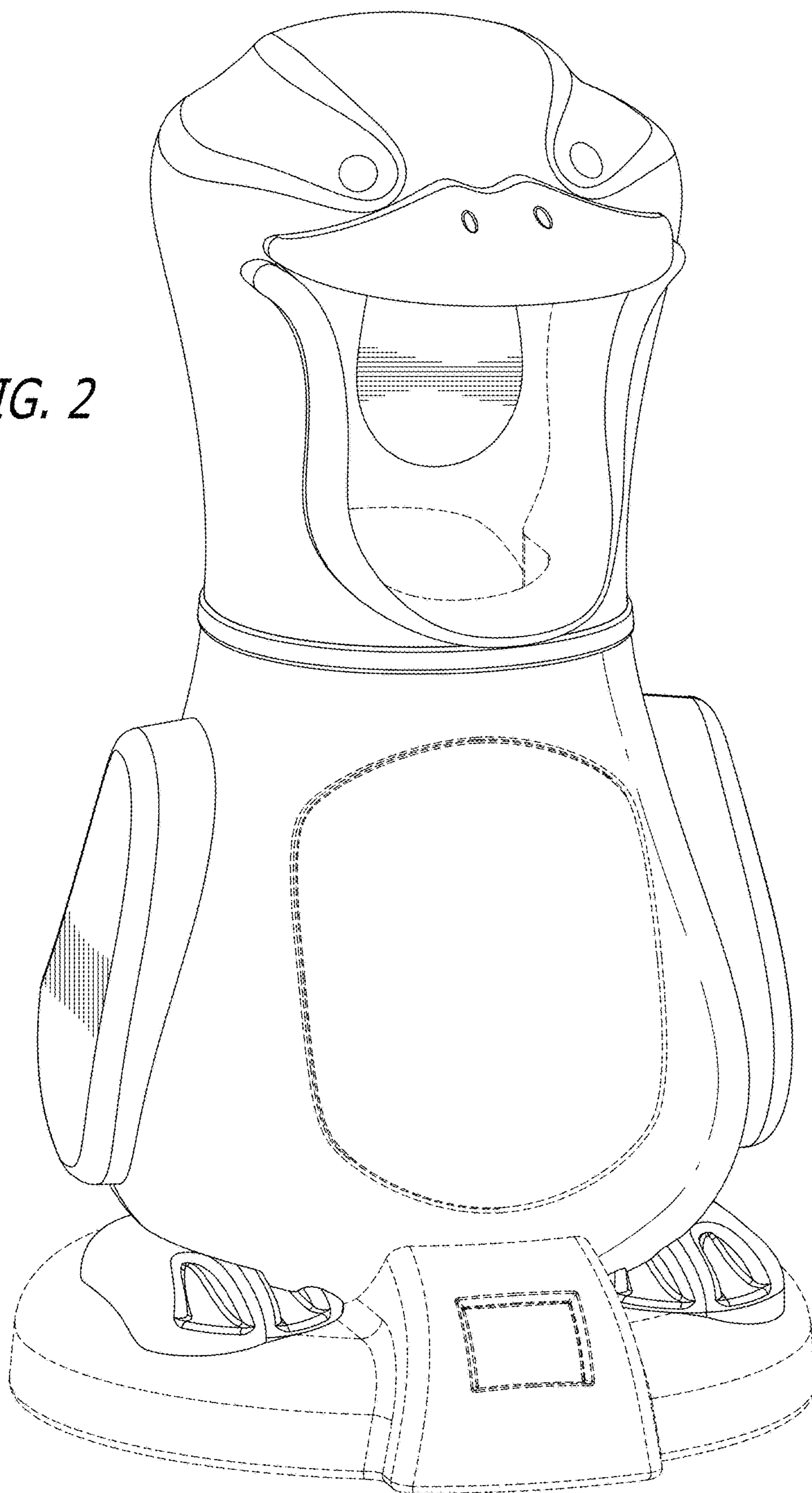
**1 Claim, 8 Drawing Sheets**



*FIG. 1*

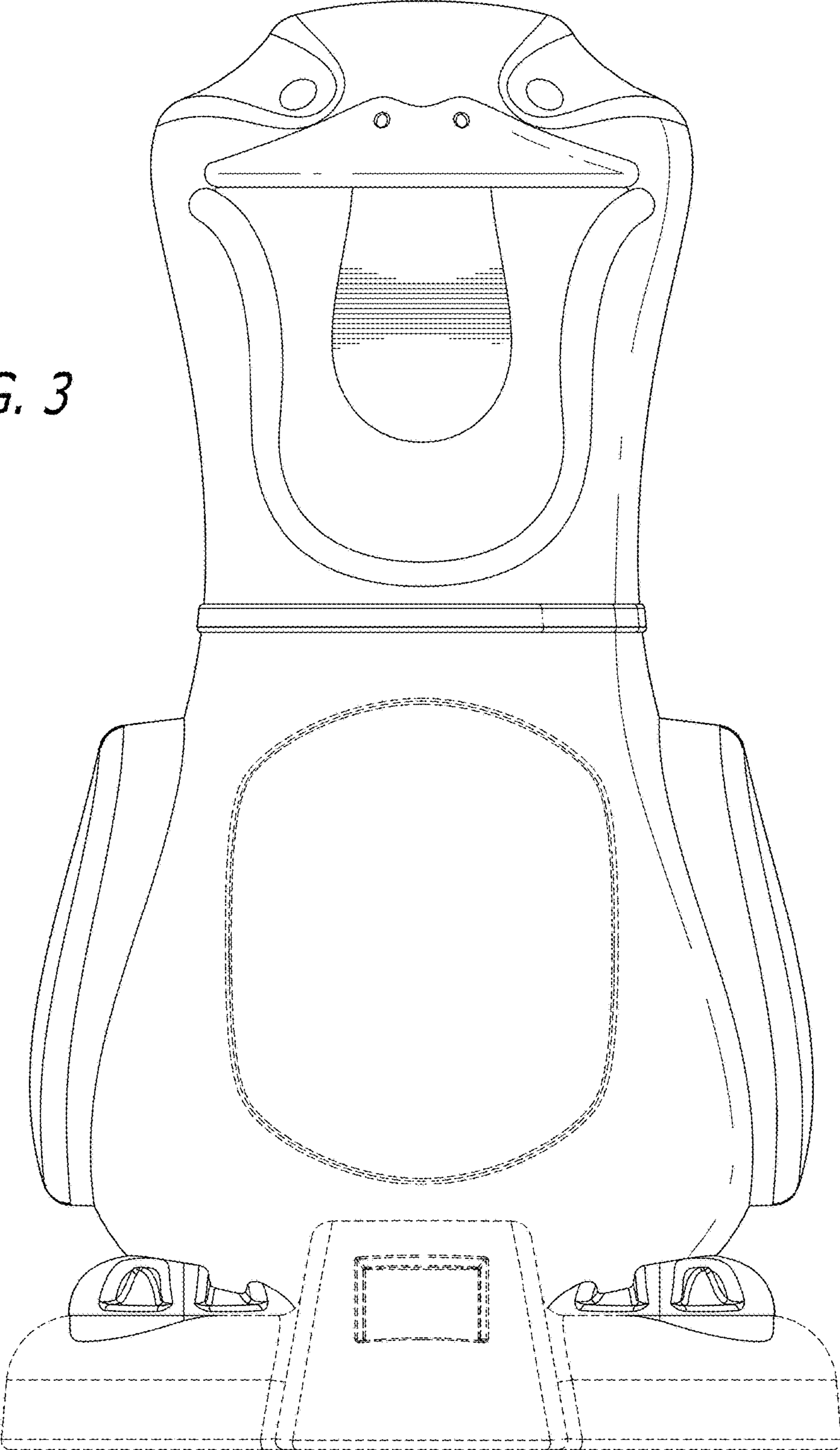


*FIG. 2*

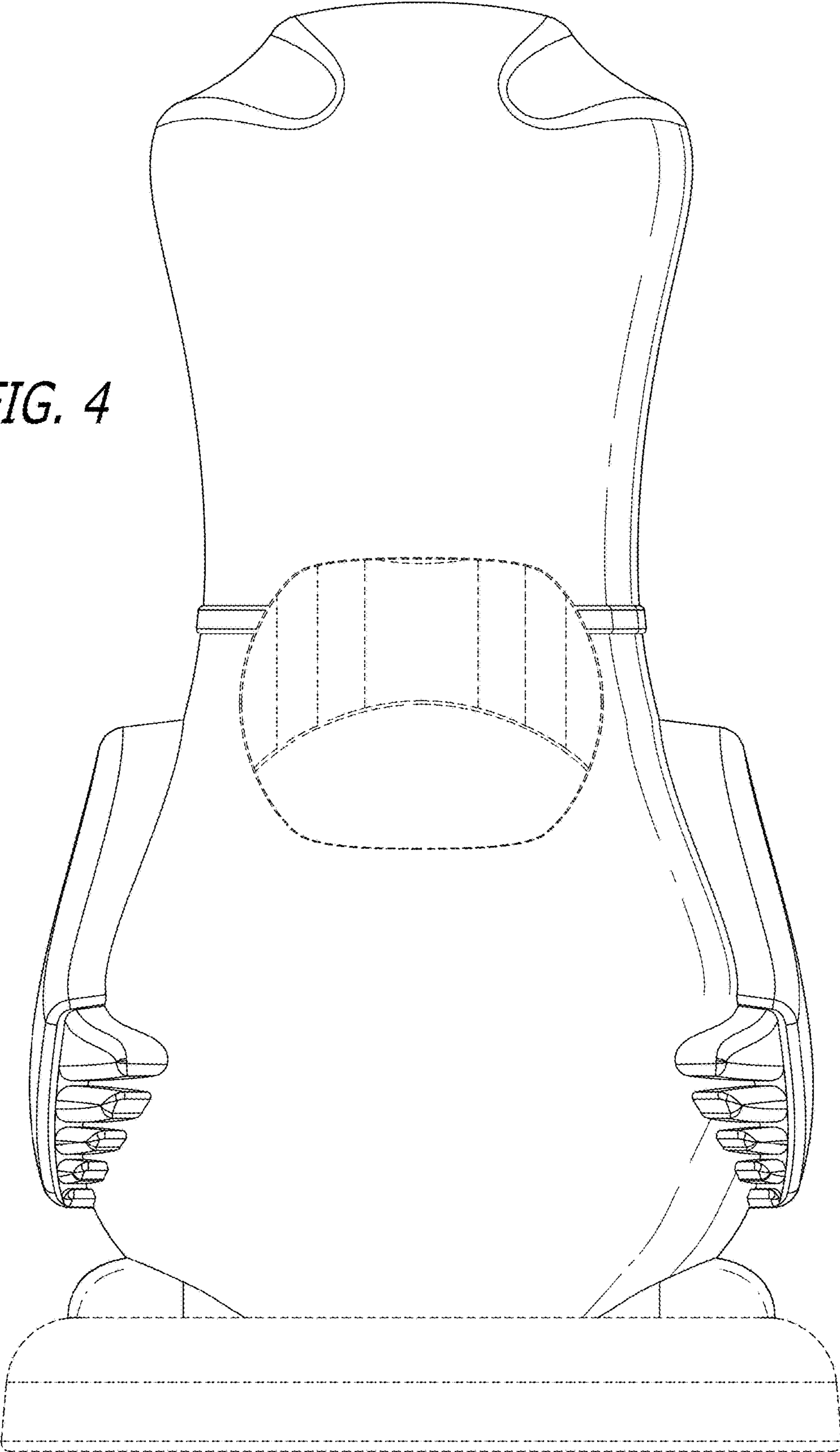




*FIG. 3*



*FIG. 4*



*FIG. 5*

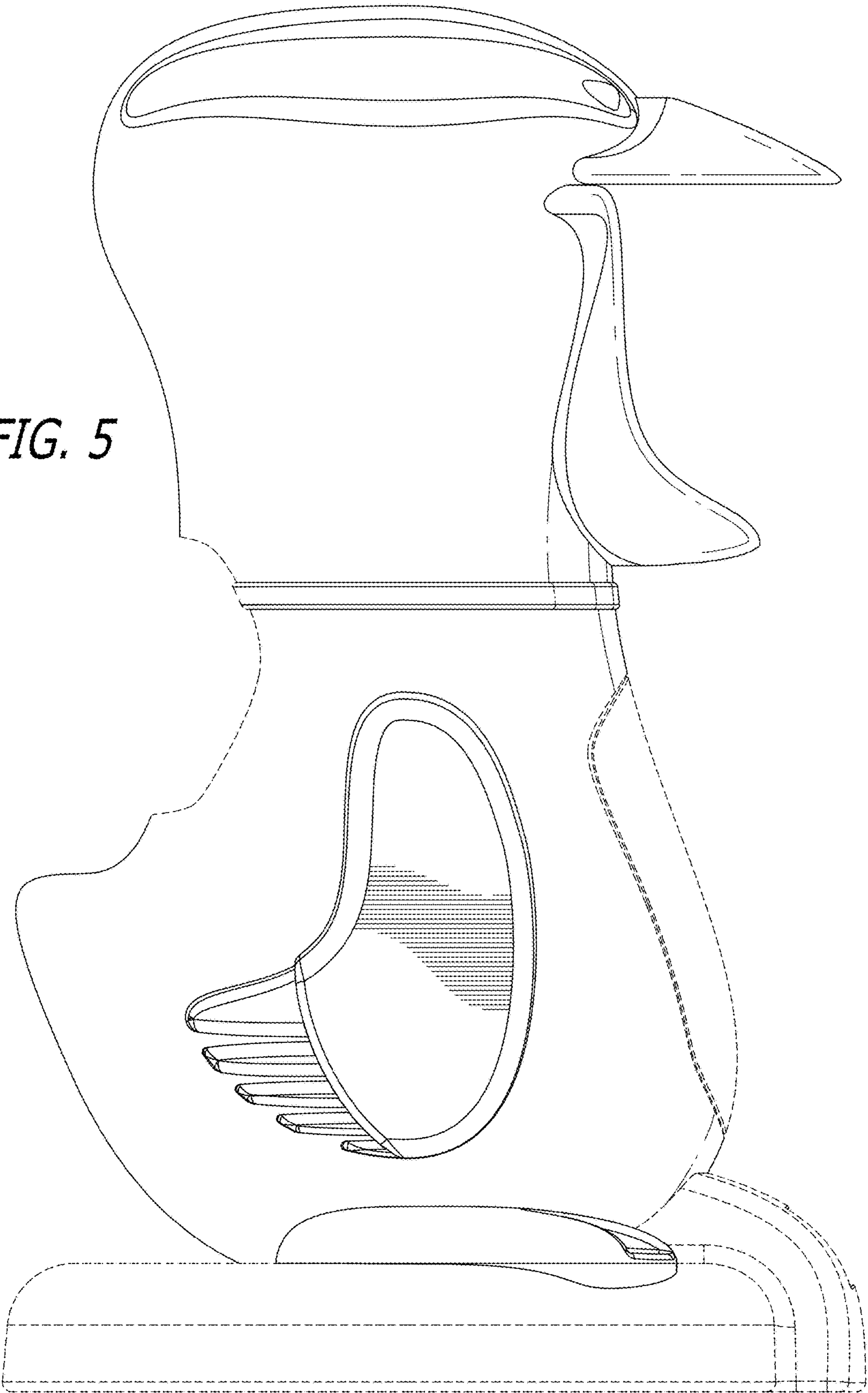
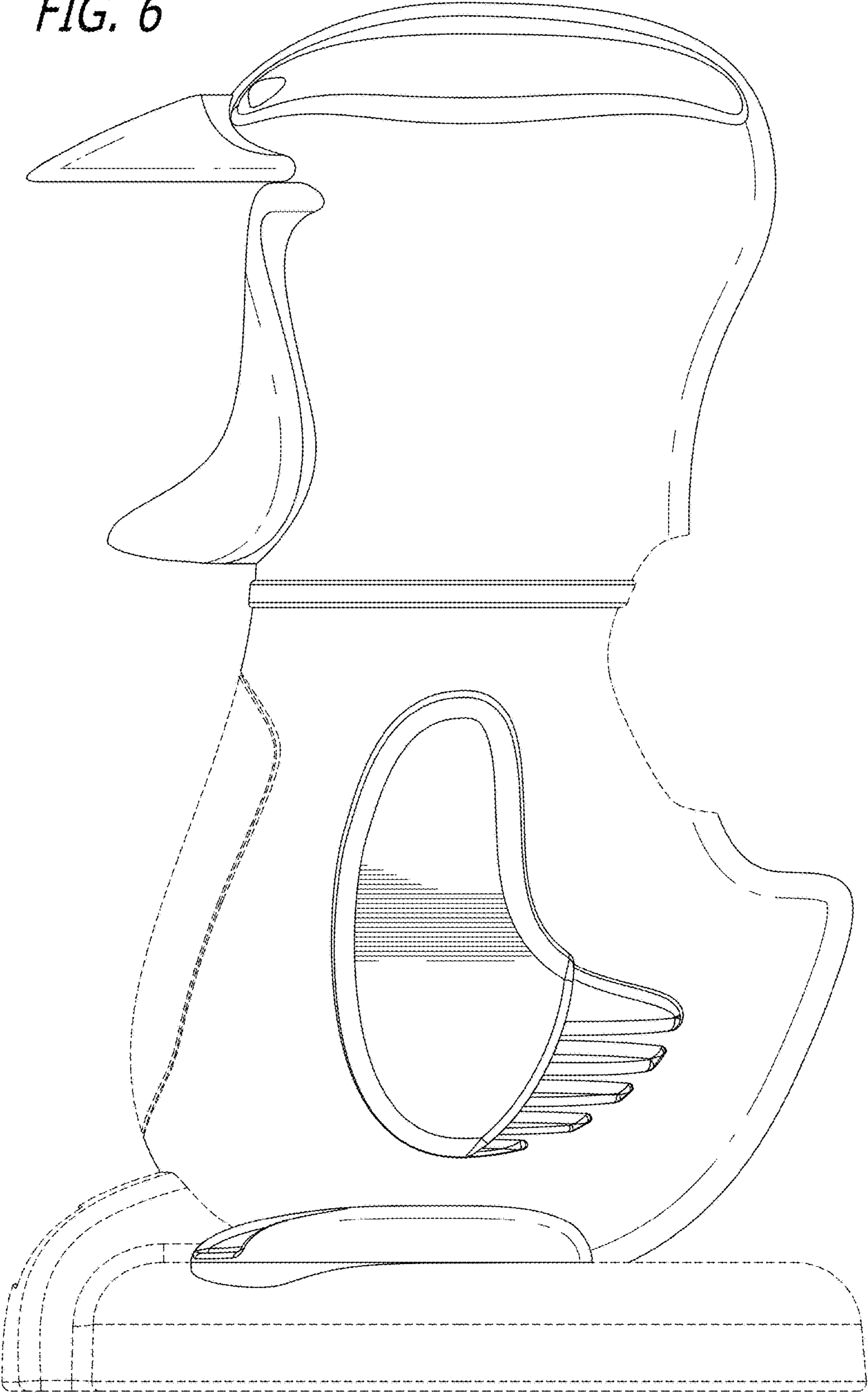
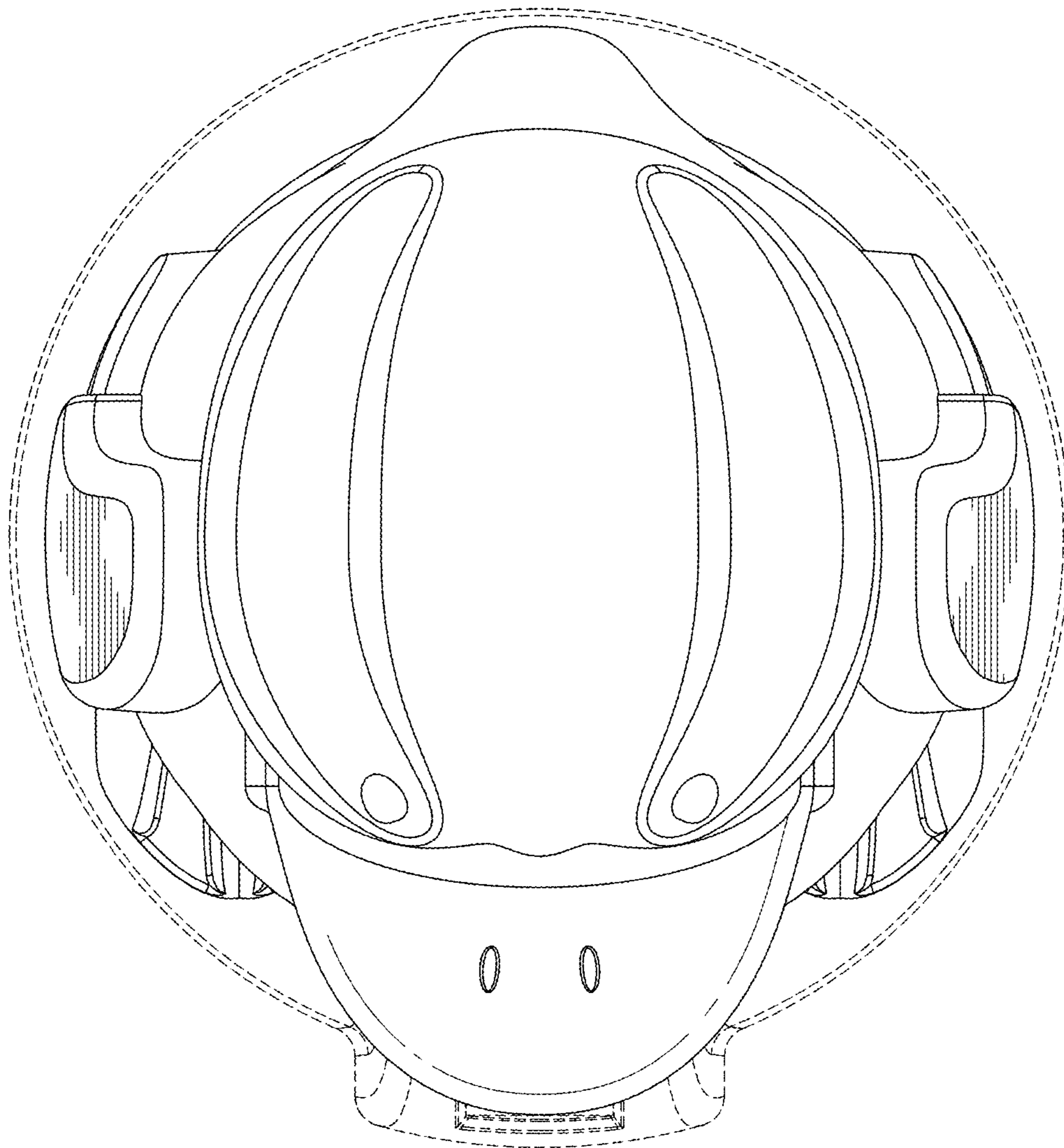


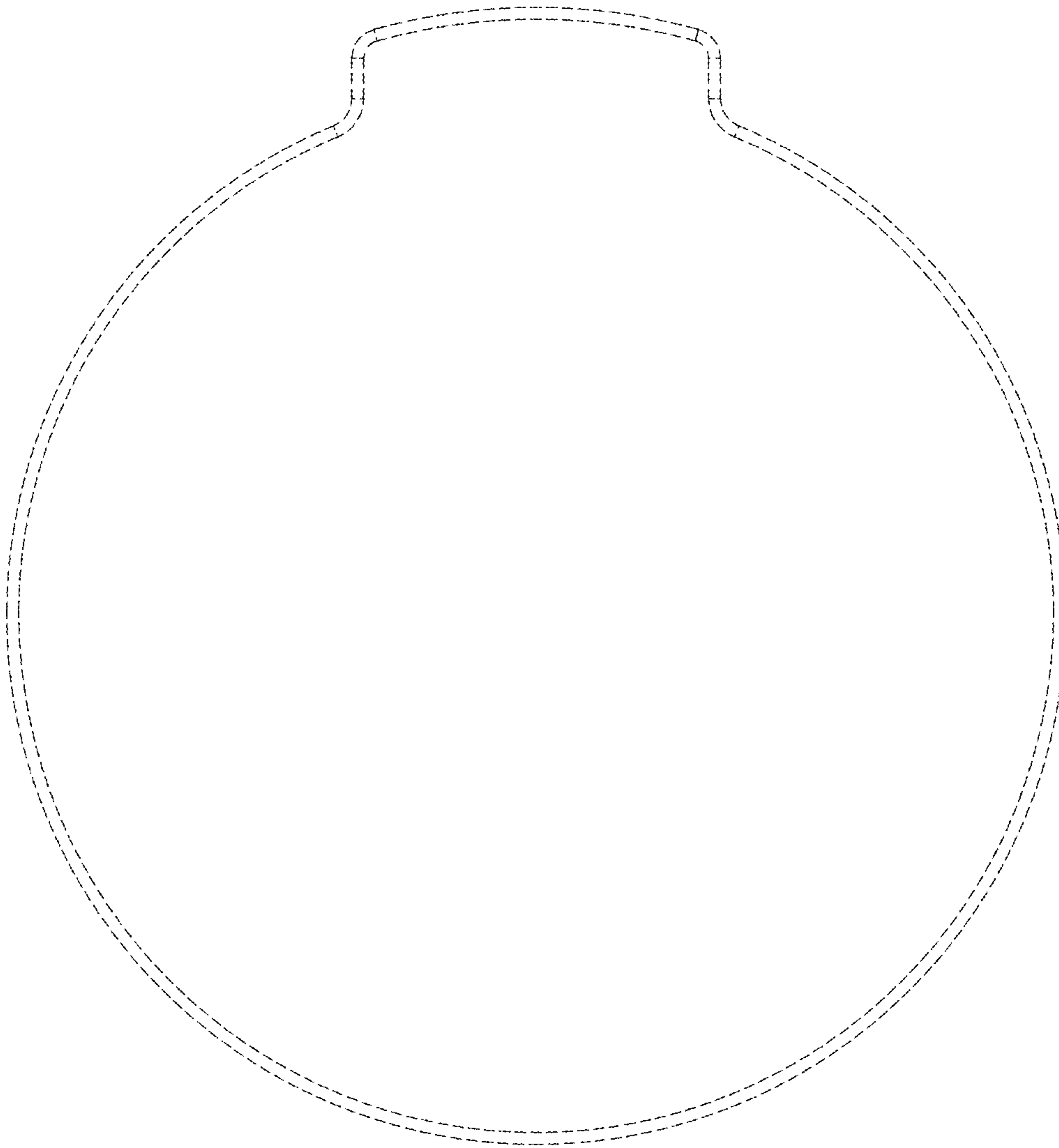
FIG. 6





*FIG. 7*





*FIG. 8*