



US00D812140S

(12) **United States Design Patent** (10) **Patent No.:** **US D812,140 S**  
**Lee et al.** (45) **Date of Patent:** **\*\* Mar. 6, 2018**

(54) **DISPLAY UNIT**  
(71) Applicant: **Medipines Corporation**, Newport Beach, CA (US)  
(72) Inventors: **Steve Lee**, Newport Beach, CA (US); **Marcus Kuchler**, München (DE)  
(73) Assignee: **MediPines Corporation**, Newport Beach, CA (US)  
(\*\*) Term: **15 Years**  
(21) Appl. No.: **29/571,614**  
(22) Filed: **Jul. 20, 2016**  
(51) **LOC (11) Cl.** ..... **20-03**  
(52) **U.S. Cl.**  
USPC ..... **D20/10**  
(58) **Field of Classification Search**  
USPC ..... D20/10, 20, 27, 28, 39, 40, 41, 99;  
D21/477; D10/46, 49, 50, 98, 103, 102,  
D10/122-127; D12/192; D14/126, 131,  
D14/157, 443, 210, 224.1, 258, 315;  
D15/110, 114, 415  
CPC ..... G09F 1/00; G09F 1/02; G09F 2003/023;  
G09F 2003/0261; G09F 2003/0264; G09F  
7/00; G09F 3/206; G09F 13/00; G09F  
2007/1807; G09F 13/04; G09F  
2013/0427; G09F 2013/0495; G09F  
21/00; G09F 21/04; G09F 2021/041;  
G09D 3/00; B60R 21/045; B60R 21/205;  
B60R 11/02; B60R 7/04; B60R 7/08;  
B60K 35/00; B60H 3/06  
See application file for complete search history.

D312,097 S \* 11/1990 Robinson ..... D20/10  
D319,667 S \* 9/1991 Gray ..... D20/10  
D320,815 S \* 10/1991 Frost ..... D20/10  
D336,313 S \* 6/1993 Reed ..... D20/10  
D350,367 S \* 9/1994 McKelvey ..... D20/10  
D382,302 S \* 8/1997 Grinbaum ..... D20/10  
D395,454 S \* 6/1998 Hayashi ..... D14/374  
D423,164 S \* 4/2000 McKeown ..... D20/10  
D424,538 S \* 5/2000 Hayashi ..... D14/126  
D430,901 S \* 9/2000 Palmer ..... D20/10  
D438,909 S \* 3/2001 Najmi ..... D20/28  
D449,345 S \* 10/2001 Lung ..... D20/21

(Continued)

*Primary Examiner* — Mary Ann Calabrese  
*Assistant Examiner* — Sloan Rozin  
(74) *Attorney, Agent, or Firm* — Farjami & Farjami LLP

(57) **CLAIM**

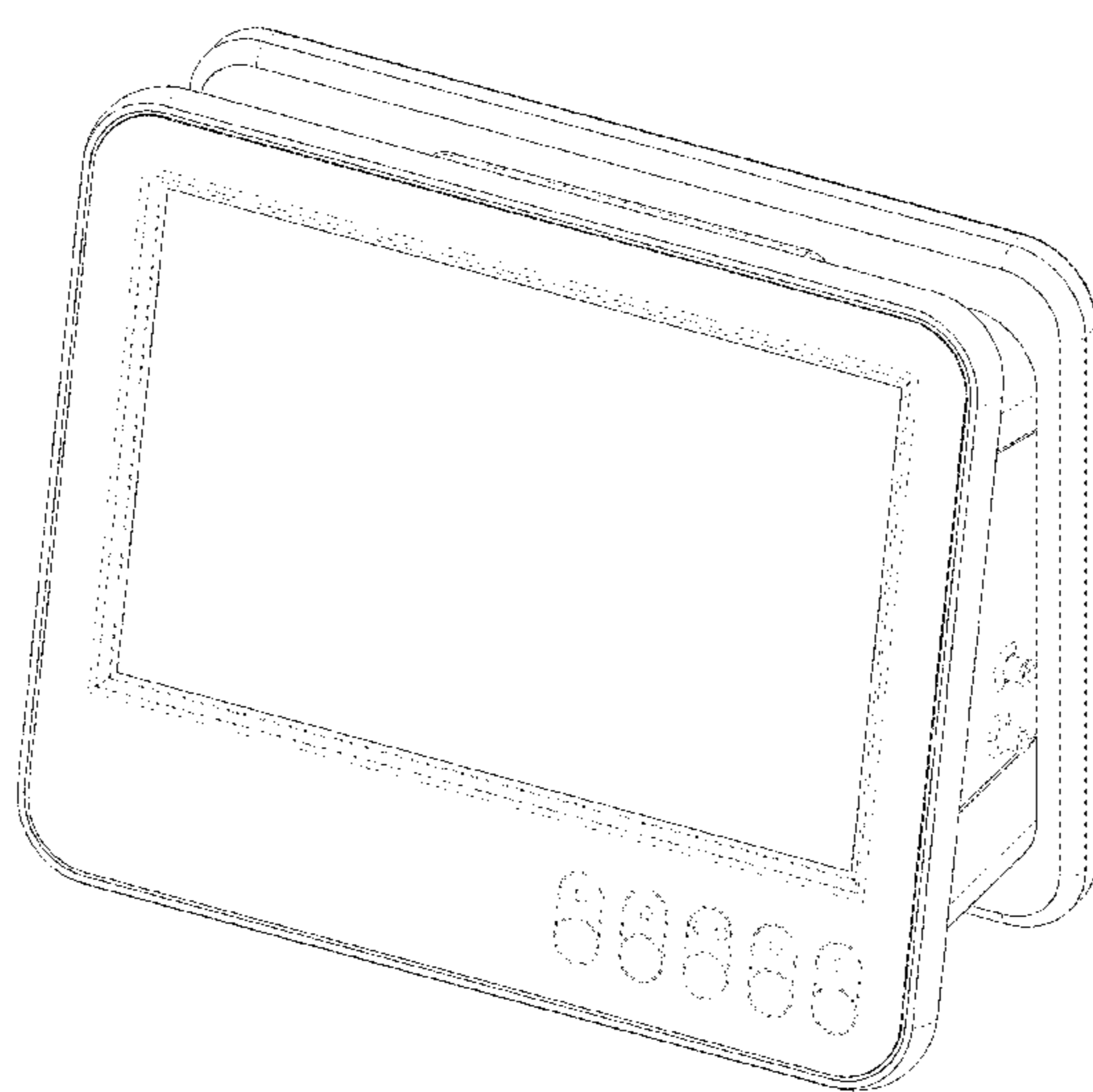
The ornamental design for a display unit, as shown and described.

**DESCRIPTION**

FIG. 1 is a front top perspective view of a display unit, according to another representation of the design;  
FIG. 2 is a rear bottom perspective view of the display unit, according to another representation of the design;  
FIG. 3 is a left side elevational view of the display unit, according to another representation of the design;  
FIG. 4 is a front elevational view of the display unit, according to another representation of the design;  
FIG. 5 is a right side elevational view of the display unit, according to another representation of the design;  
FIG. 6 is a rear elevational view of the display unit, according to another representation of the design;  
FIG. 7 is a bottom plan view of the display unit, according to another representation of the design; and,  
FIG. 8 is a top plan view of the display unit, according to another representation of the design.  
The broken lines are for illustrative purposes only and form no part of the claimed design.

**1 Claim, 5 Drawing Sheets**

(56) **References Cited**  
U.S. PATENT DOCUMENTS  
D258,297 S \* 2/1981 Pittman ..... D20/27  
D300,043 S \* 2/1989 Silverman ..... D20/10  
4,856,216 A \* 8/1989 Gross ..... G09F 13/04  
40/518



(56)

**References Cited**

U.S. PATENT DOCUMENTS

D460,985	S	*	7/2002	Horvath	.....	D20/10
D497,392	S	*	10/2004	Benoit	.....	D20/10
D556,264	S	*	11/2007	Tanaka	.....	D20/39
D567,876	S	*	4/2008	Au	.....	D20/10
D572,764	S	*	7/2008	Phan	.....	D20/10
D622,773	S	*	8/2010	Giudicelli	.....	D20/10
D635,614	S	*	4/2011	Yan	.....	D20/10
D639,340	S	*	6/2011	Martin	.....	D20/10
D656,195	S	*	3/2012	Renard	.....	D20/10
D657,421	S	*	4/2012	Yan	.....	D20/10
D687,896	S	*	8/2013	Gaspar dos Santos	.....	D20/39
D695,834	S	*	12/2013	Glass	.....	D20/10
D723,624	S	*	3/2015	McPhillips	.....	D20/99
D744,595	S	*	12/2015	Chapman	.....	D20/39
D757,180	S	*	5/2016	Indio da Costa	.....	D20/41
D765,660	S	*	9/2016	Kim	.....	D14/375

\* cited by examiner

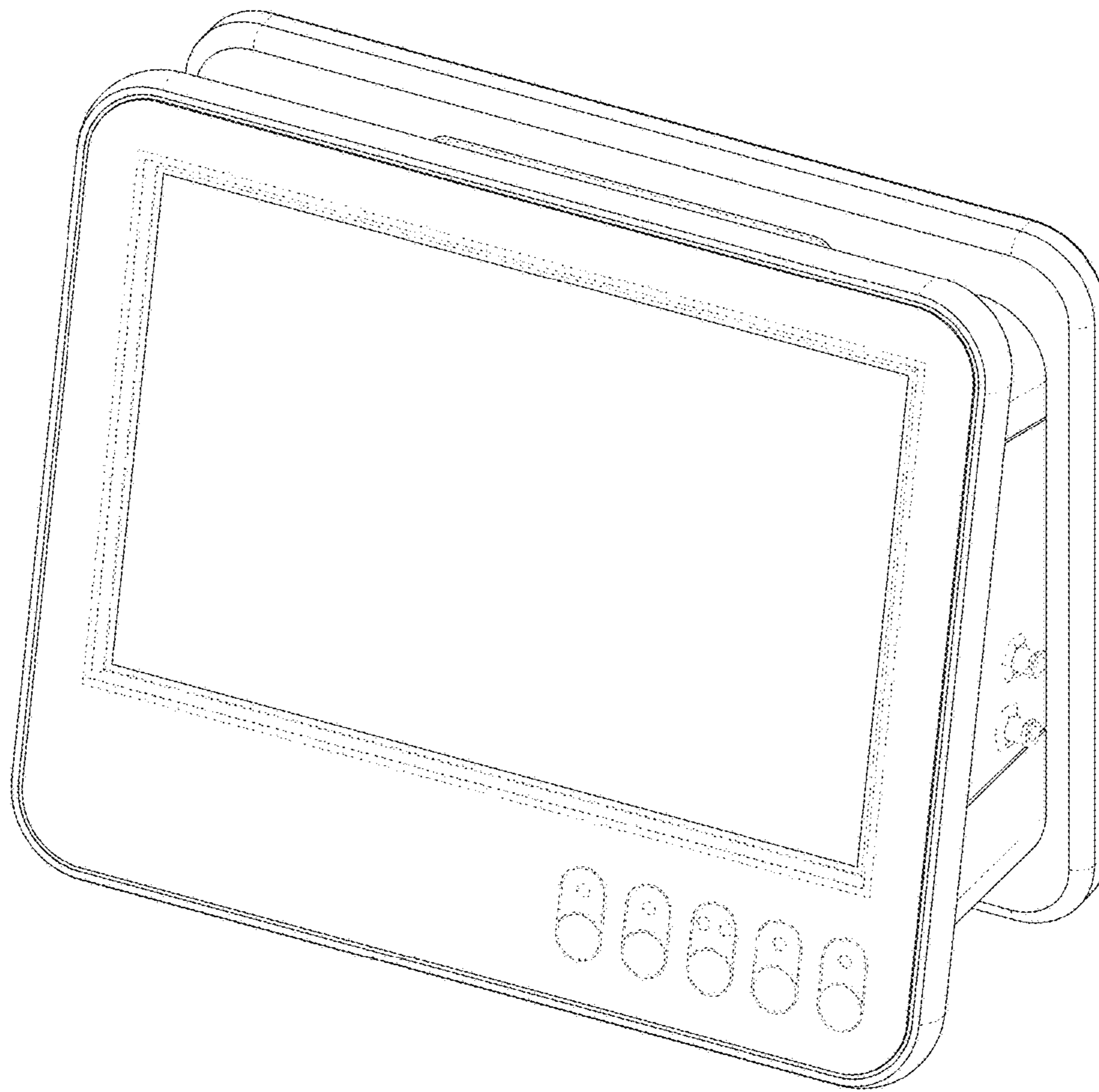


FIG. 1

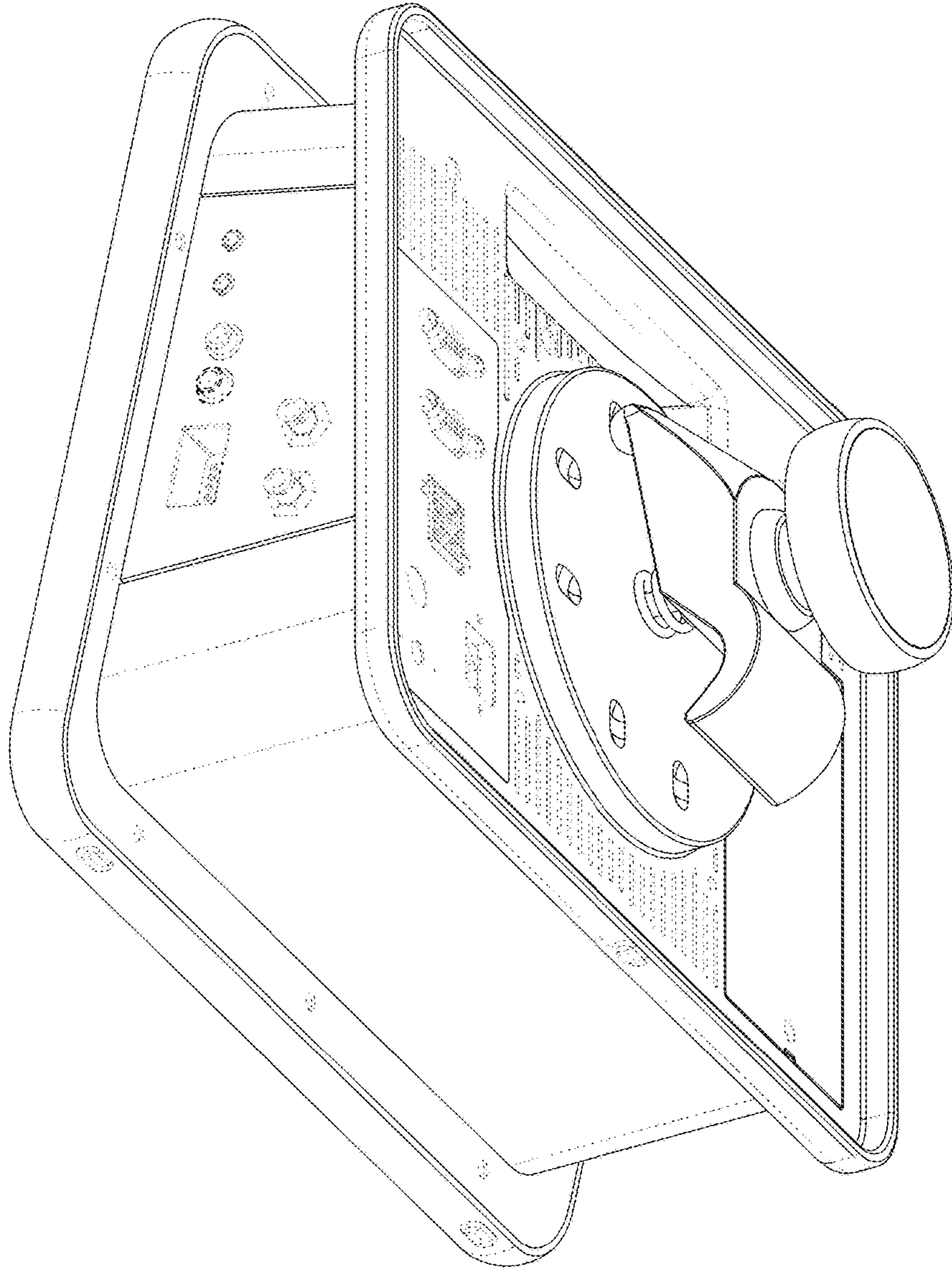


FIG. 2



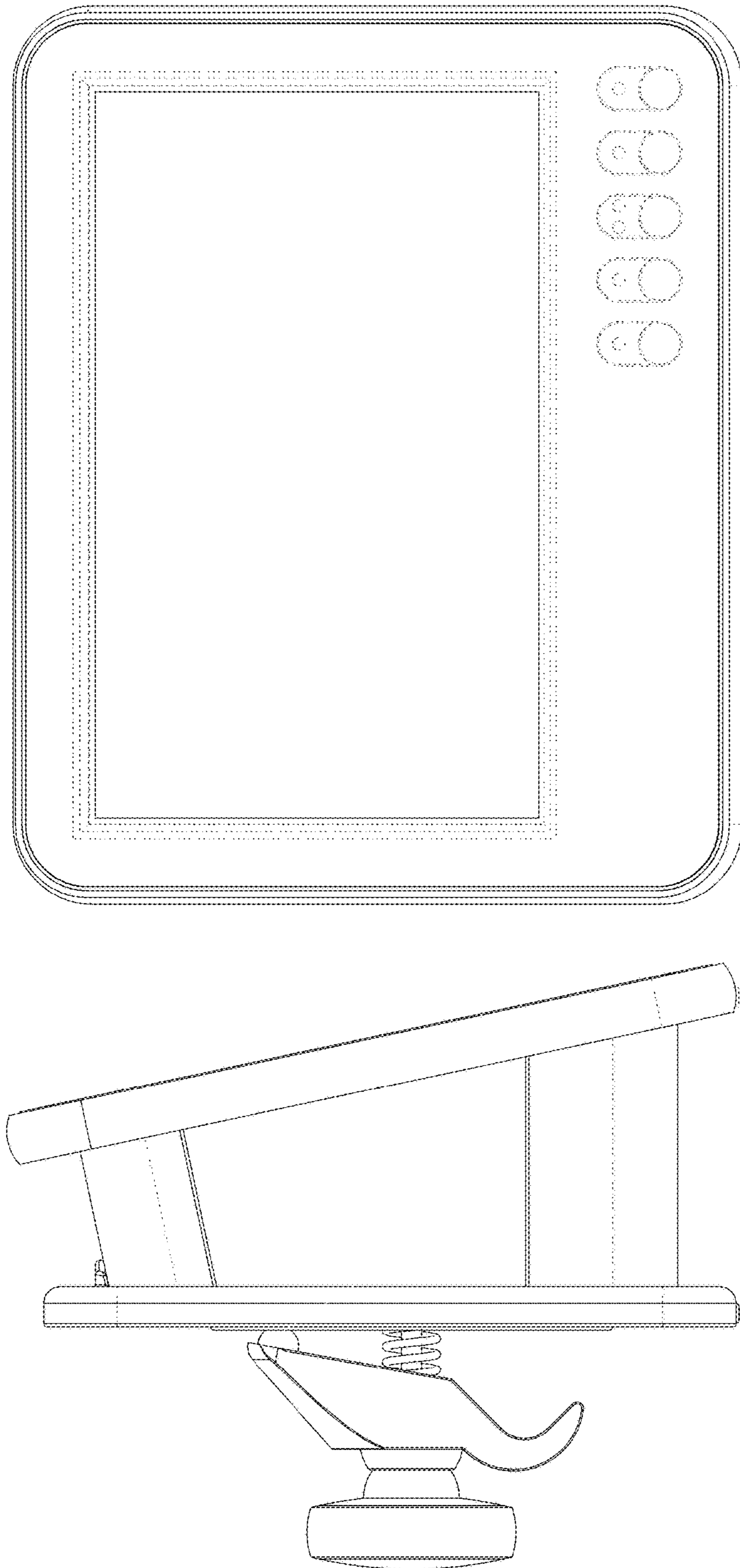


FIG. 3

FIG. 4

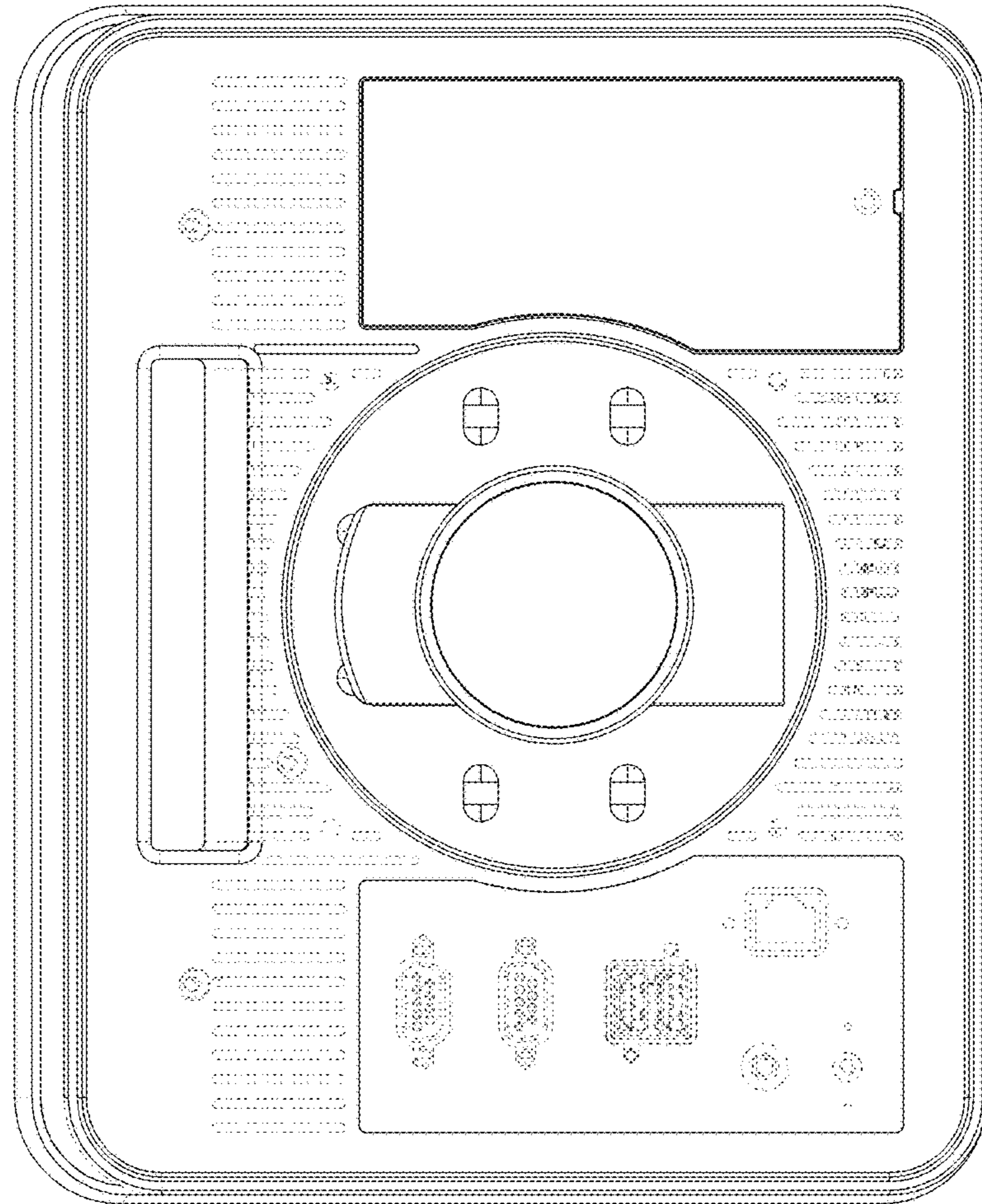


FIG. 6

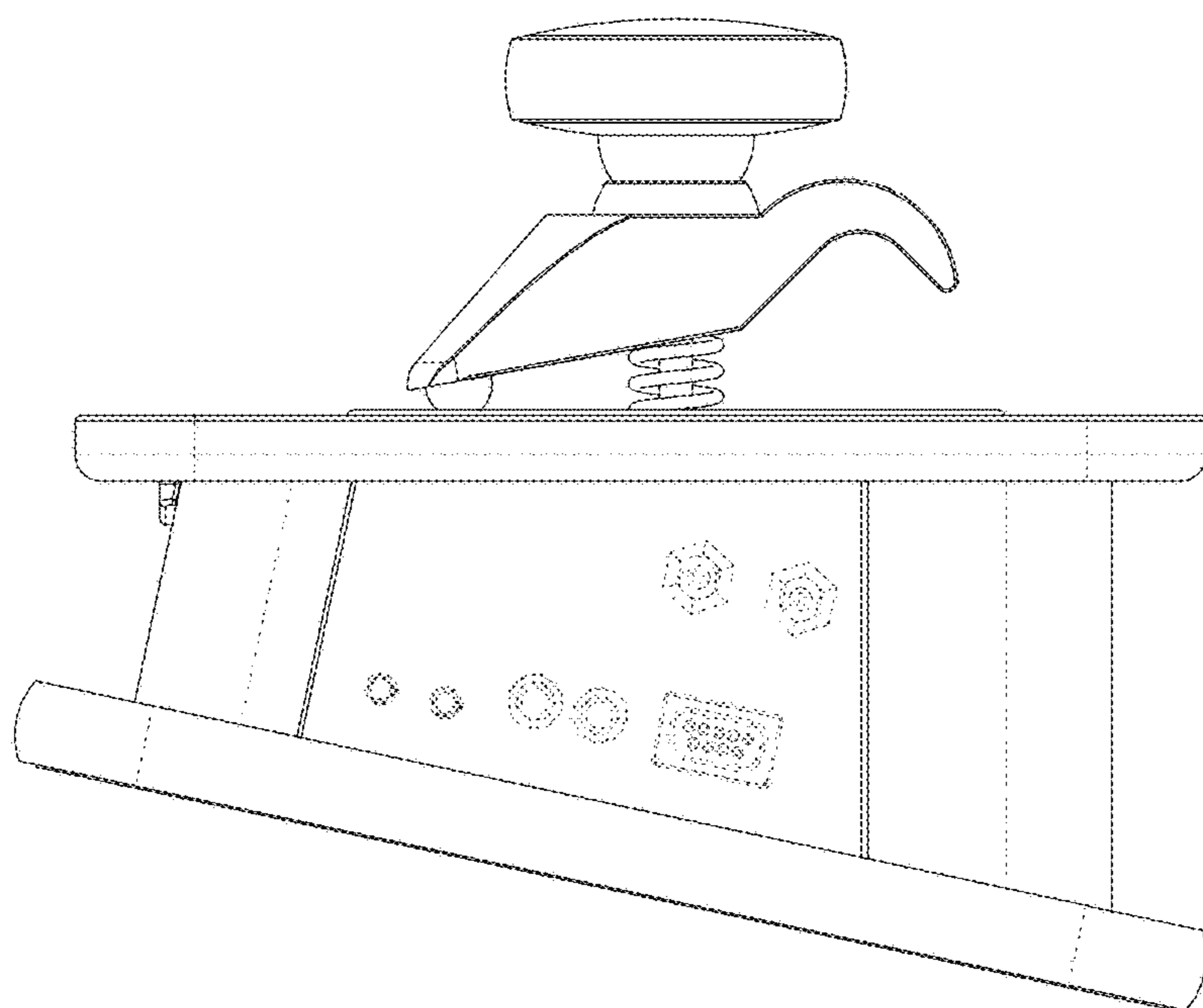
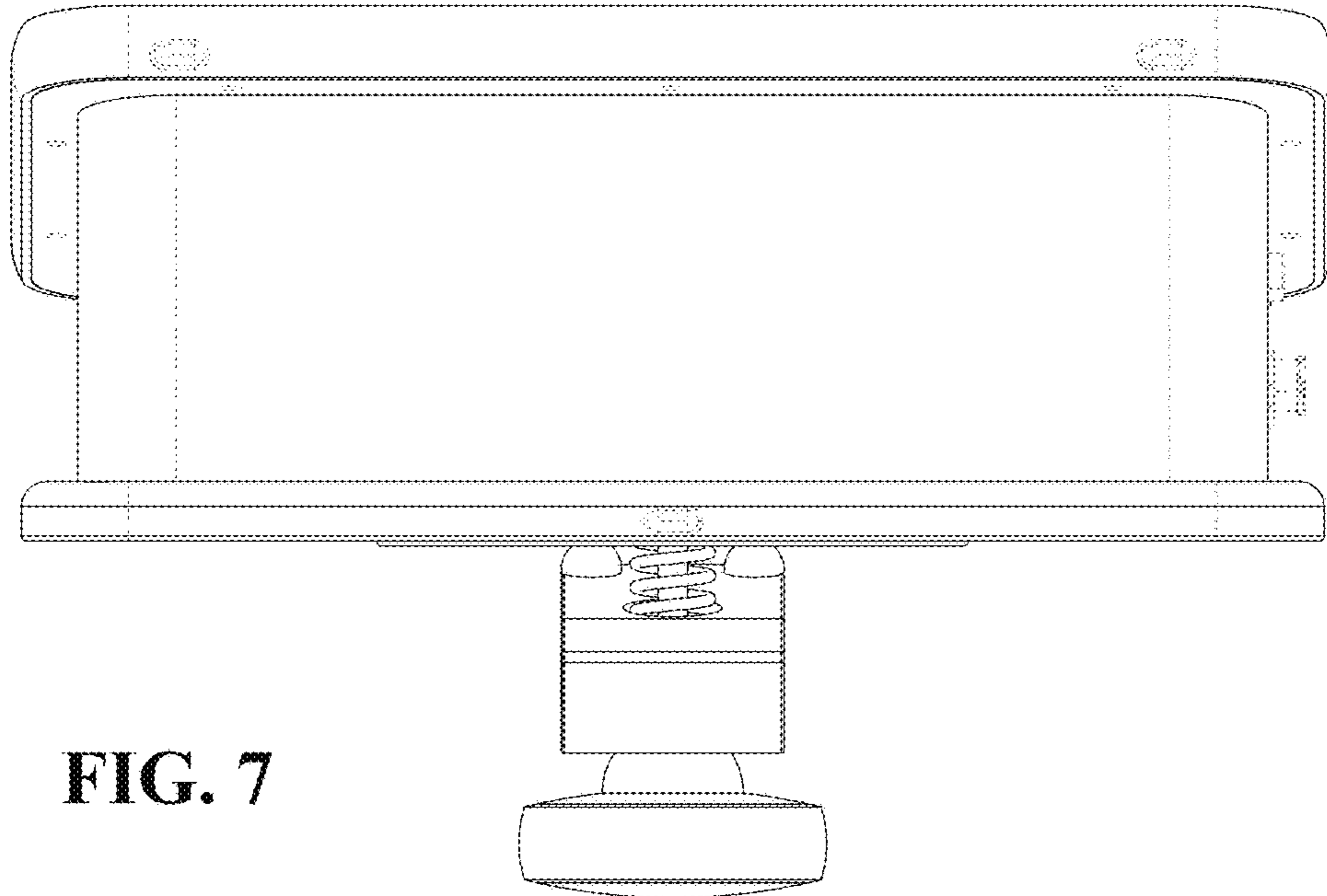
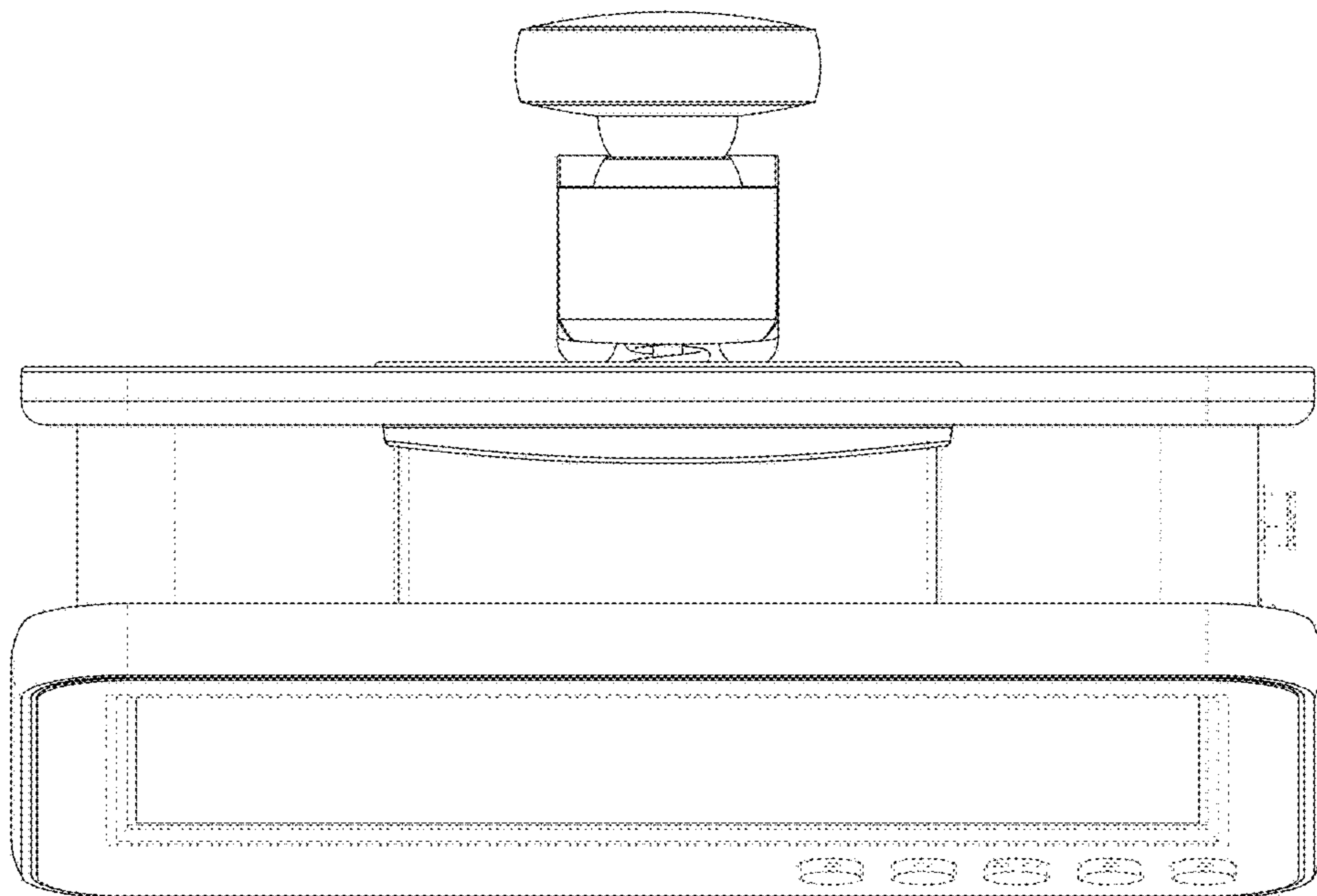


FIG. 5



**FIG. 7**



**FIG. 8**