



US00D812135S

(12) **United States Design Patent** (10) **Patent No.:** **US D812,135 S**
Park et al. (45) **Date of Patent:** **** Mar. 6, 2018**

- (54) **MOBILE PRINTER**
- (71) Applicant: **BLUEBIRD INC.**, Seoul (KR)
- (72) Inventors: **Jung Sik Park**, Namyangju-si (KR); **Se Bin Park**, Seoul (KR); **Jang Won Lee**, Seoul (KR)
- (73) Assignee: **BLUEBIRD INC.**, Seoul (KR)
- (**) Term: **15 Years**
- (21) Appl. No.: **29/580,700**
- (22) Filed: **Oct. 12, 2016**

Related U.S. Application Data

- (63) Continuation-in-part of application No. 29/529,744, filed on Jun. 10, 2015, now abandoned, which is a continuation-in-part of application No. 29/472,077, filed on Nov. 8, 2013, now abandoned, which is a continuation-in-part of application No. 29/440,483, filed on Dec. 21, 2012, now abandoned.

- (51) **LOC (11) Cl.** **14-02**
- (52) **U.S. Cl.**
USPC **D18/50**

- (58) **Field of Classification Search**
USPC D18/4.4, 4.6, 14, 19, 54, 54.1, 55, 50
CPC B41J 3/4075; B41J 11/58; B41J 15/042;
B41J 15/012; B41J 17/00; B41J 29/00;
B41J 29/08; B65C 11/00; B65C 11/02;
B65C 11/0205; B65C 11/021; B65C
11/0215; B65C 11/0221; B65C 11/0226;
B65C 11/0236; B65C 11/0242; B65C
11/0252; B65C 11/0257; B65C 11/0268;
B65C 11/027; B65C 11/0284; B65C
11/0289; B65C 11/0294; B65C 11/04;
B65C 11/046; B65C 11/06; B65C 11/062;
B65C 11/064; B65C 11/066; B65C
11/068

See application file for complete search history.

(56) **References Cited**

U.S. PATENT DOCUMENTS

4,904,100 A * 2/1990 Enix B41J 11/58
D18/55
6,942,211 B2 * 9/2005 Teo B41J 11/0025
271/145
D530,739 S * 10/2006 Tsai D18/55
D544,907 S * 6/2007 Tjin Wong Joe D18/55
D545,354 S * 6/2007 Whittall D18/50
7,484,841 B2 * 2/2009 Silverbrook B41J 2/515
400/614
D652,445 S * 1/2012 Burton D18/50
8,723,904 B2 * 5/2014 Marty B41J 15/042
347/222
D786,342 S * 5/2017 Oguchi D18/50

* cited by examiner

Primary Examiner — Cathy Anne MacCormac

(74) *Attorney, Agent, or Firm* — Cantor Colburn LLP

(57) **CLAIM**

The ornamental design for a mobile printer, as shown and described.

DESCRIPTION

FIG. 1 is a top, front and right side perspective view of a mobile printer showing our new design;
 FIG. 2 is a top, front and left side perspective view thereof;
 FIG. 3 is a bottom, front, and right side perspective view thereof;
 FIG. 4 is a front elevational view thereof;
 FIG. 5 is a rear elevational view thereof;
 FIG. 6 is an enlarged right side elevational view thereof;
 FIG. 7 is an enlarged left side elevational view thereof;
 FIG. 8 is a top plan view thereof; and,
 FIG. 9 is a bottom plan view thereof.
 The broken lines depict environmental subject matter, are for illustration only and form no part of the claimed design.

1 Claim, 9 Drawing Sheets

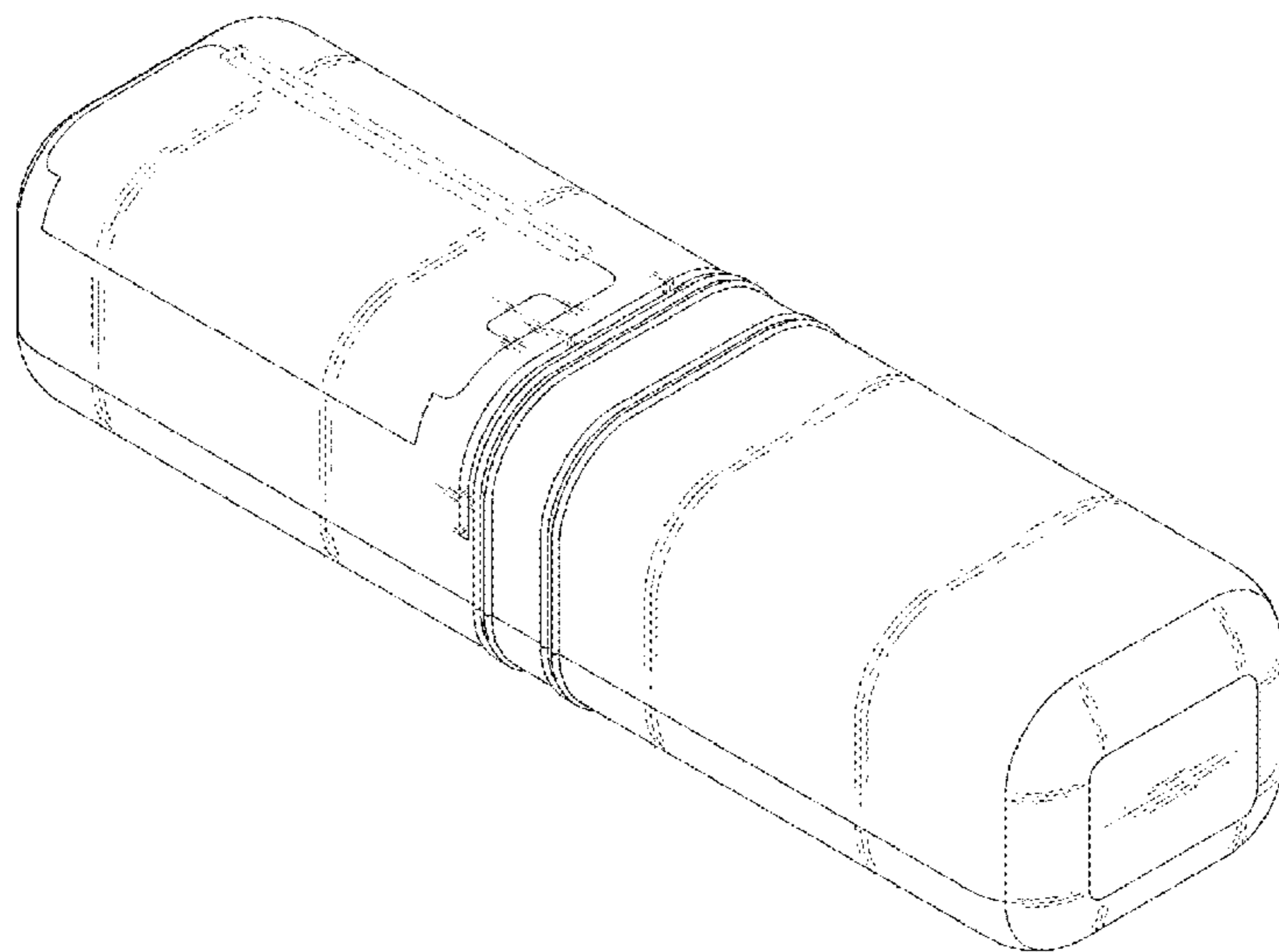


FIG. 1

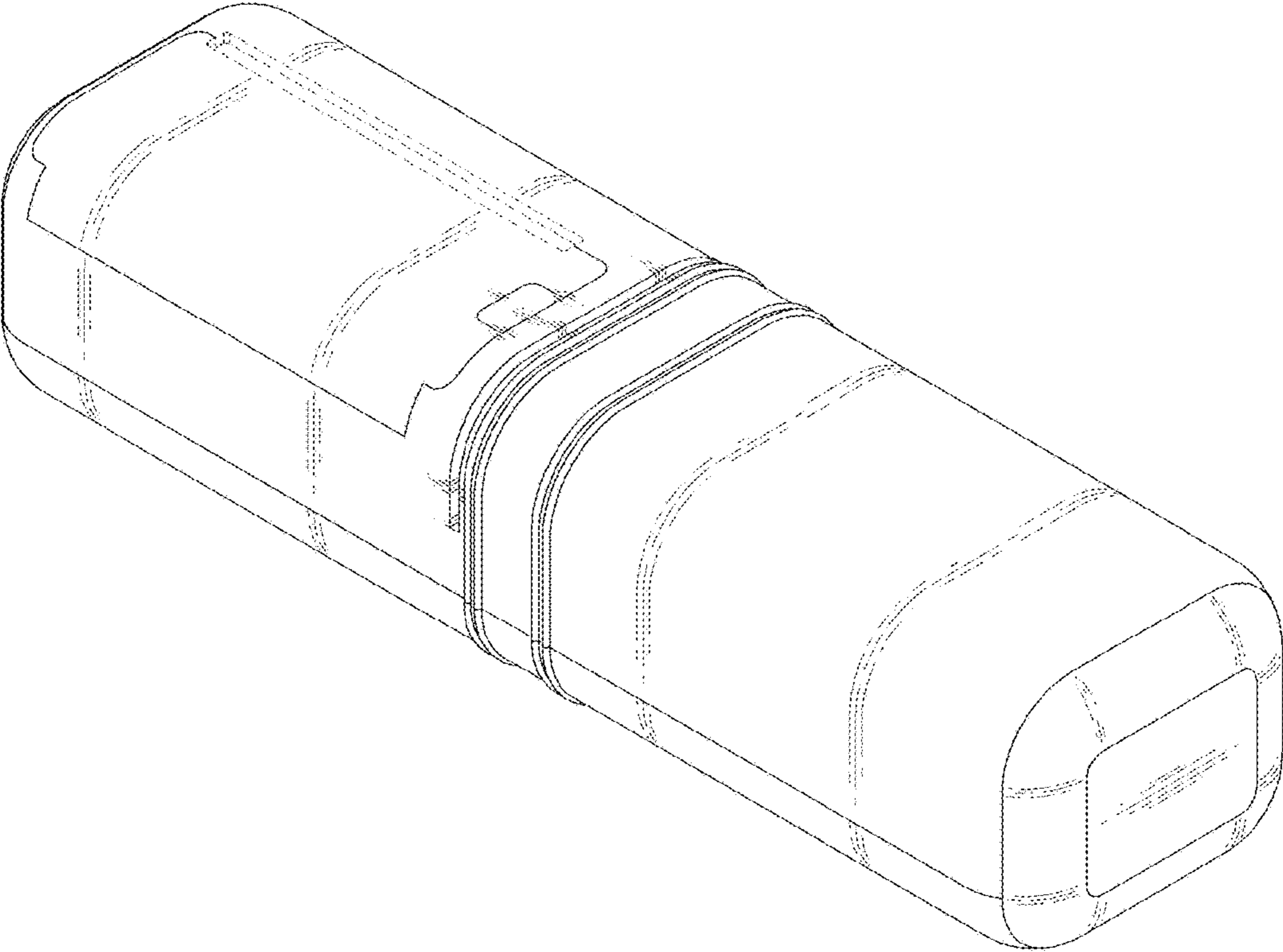


FIG. 2

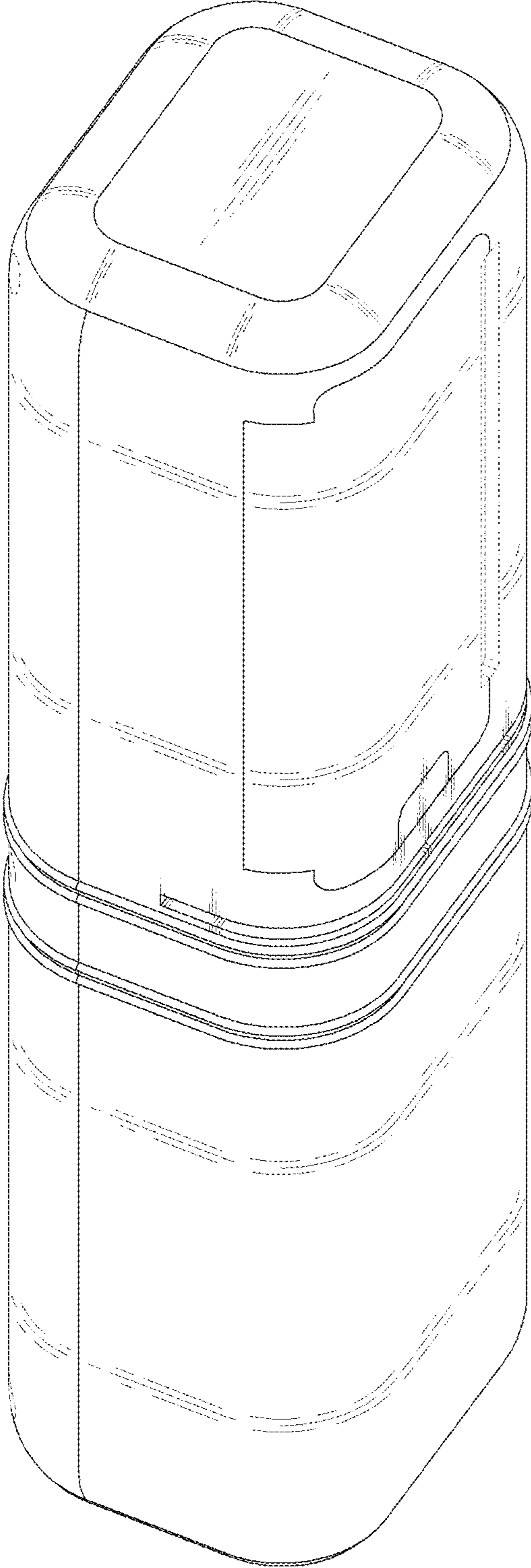


FIG. 3

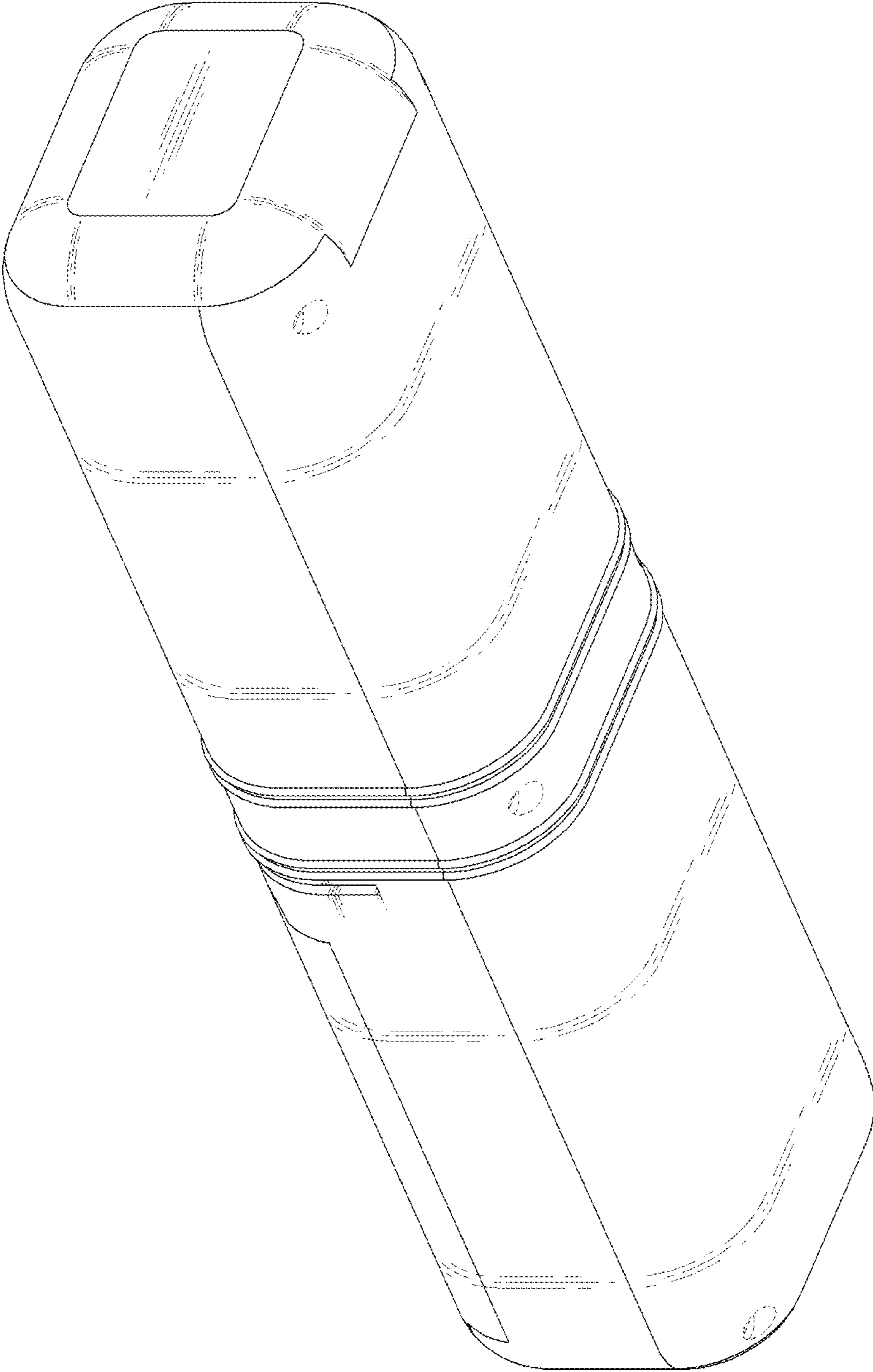


FIG. 4

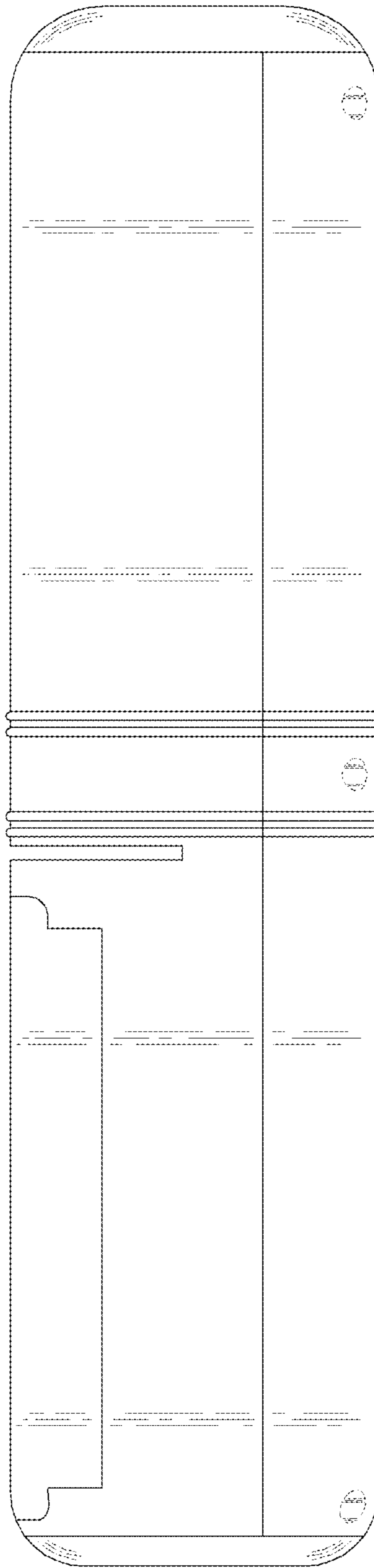


FIG. 5

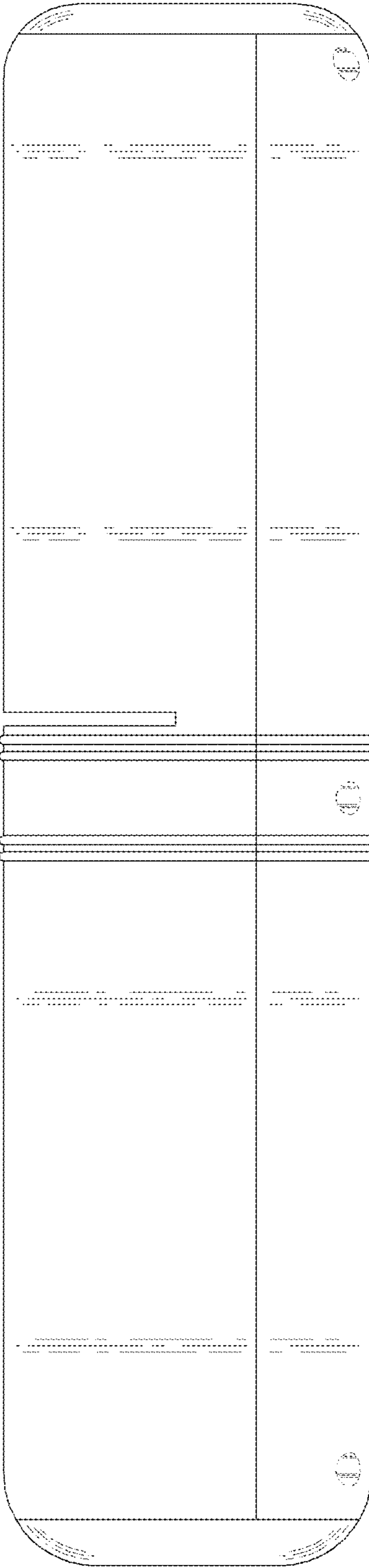


FIG. 6

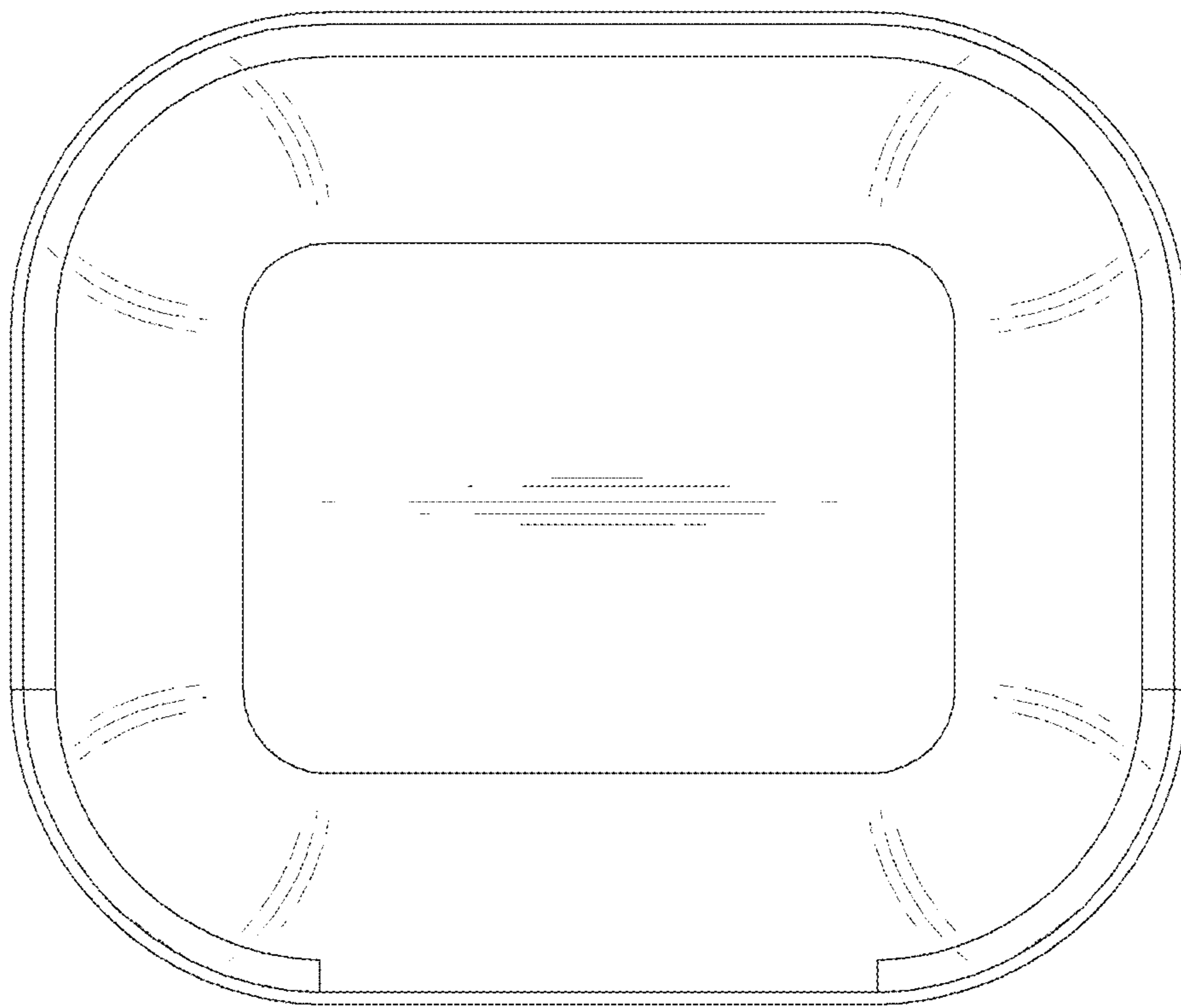


FIG. 7

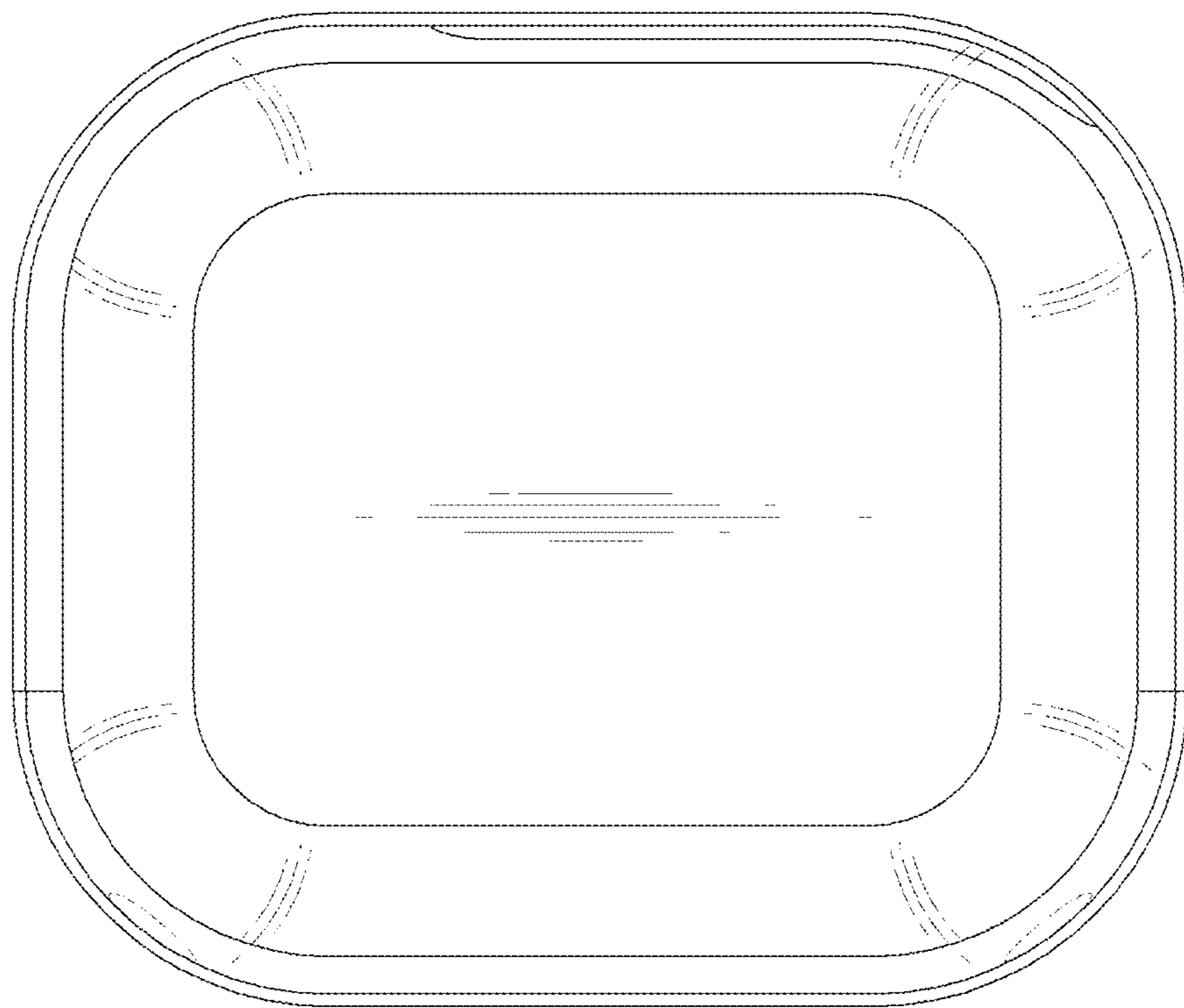


FIG. 8

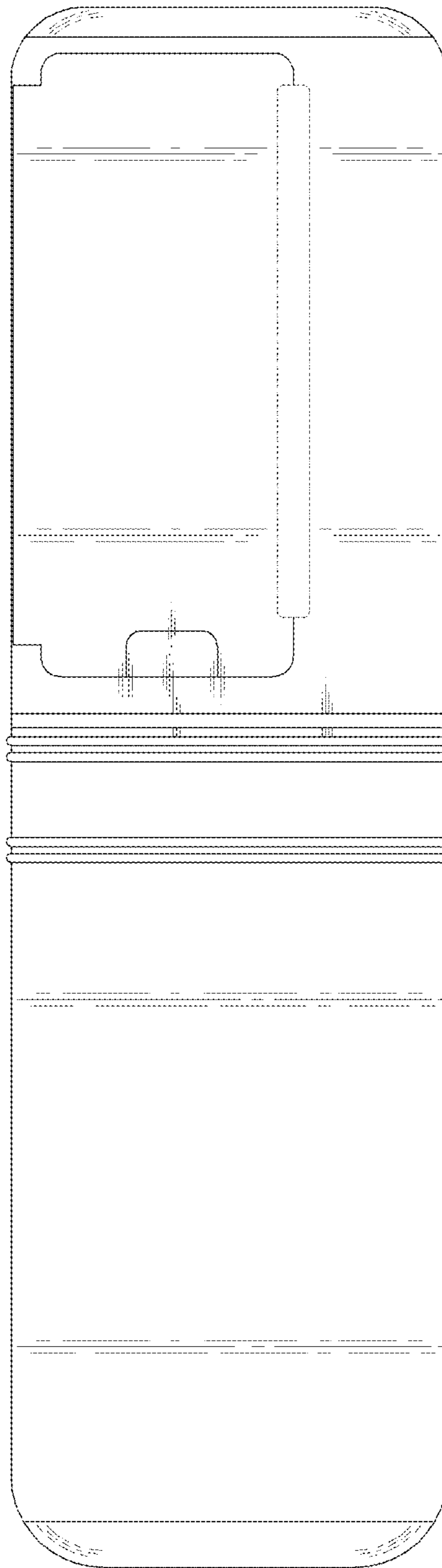


FIG. 9

