



US00D812134S

(12) **United States Design Patent** (10) **Patent No.:** **US D812,134 S**
Tashima et al. (45) **Date of Patent:** **** Mar. 6, 2018**

(54) **PRINTER**
 (71) Applicant: **BROTHER INDUSTRIES, LTD.**,
 Nagoya-shi, Aichi-ken (JP)
 (72) Inventors: **Kazuhisa Tashima**, Nagoya (JP);
Keiichiro Egami, Kuwana (JP)
 (73) Assignee: **BROTHER INDUSTRIES, LTD.**,
 Nagoya (JP)

D561,251 S * 2/2008 Tjin Wong Joe D18/55
 D567,848 S * 4/2008 Kawamura D18/39
 D581,976 S * 12/2008 Park D18/55
 D584,349 S * 1/2009 Tani D18/55
 D584,766 S * 1/2009 Tani D18/55
 D586,385 S * 2/2009 Kim D18/55
 D616,927 S * 6/2010 Suzuki D18/55
 D639,851 S * 6/2011 Penke D18/55
 D641,778 S * 7/2011 Lee D14/421
 D662,974 S * 7/2012 Suzuki D18/55
 D667,488 S * 9/2012 Inoue D18/55

(Continued)

(**) Term: **15 Years**

(21) Appl. No.: **29/577,299**

(22) Filed: **Sep. 12, 2016**

(30) **Foreign Application Priority Data**

Mar. 14, 2016 (JP) 2016-5465
 Mar. 14, 2016 (JP) 2016-5468

(51) **LOC (11) Cl.** **18-02**

(52) **U.S. Cl.**
 USPC **D18/50; D18/55**

(58) **Field of Classification Search**
 USPC D18/50, 55, 36-37, 39; D14/520-525;
 347/3
 CPC G06K 15/12; G06K 15/14; B41J 15/12;
 B41J 15/042; B41J 11/58
 See application file for complete search history.

(56) **References Cited**

U.S. PATENT DOCUMENTS

D423,040 S * 4/2000 Ohta D18/36
 D494,211 S * 8/2004 Yoshida D18/39
 D523,068 S * 6/2006 Hoshiya D18/36
 D544,532 S * 6/2007 Matsumoto D18/49
 D548,776 S * 8/2007 Egami D18/50
 D550,279 S * 9/2007 Tani D18/50
 D552,168 S * 10/2007 Egami D18/50
 D555,194 S * 11/2007 Smith D18/55

OTHER PUBLICATIONS

Nakagawa, et al, U.S. Appl. No. 29/464,359, filed Aug. 15, 2013.
 (Continued)

Primary Examiner — Robin V Webster
Assistant Examiner — James C Thorn, Sr.
 (74) *Attorney, Agent, or Firm* — Oliff PLC

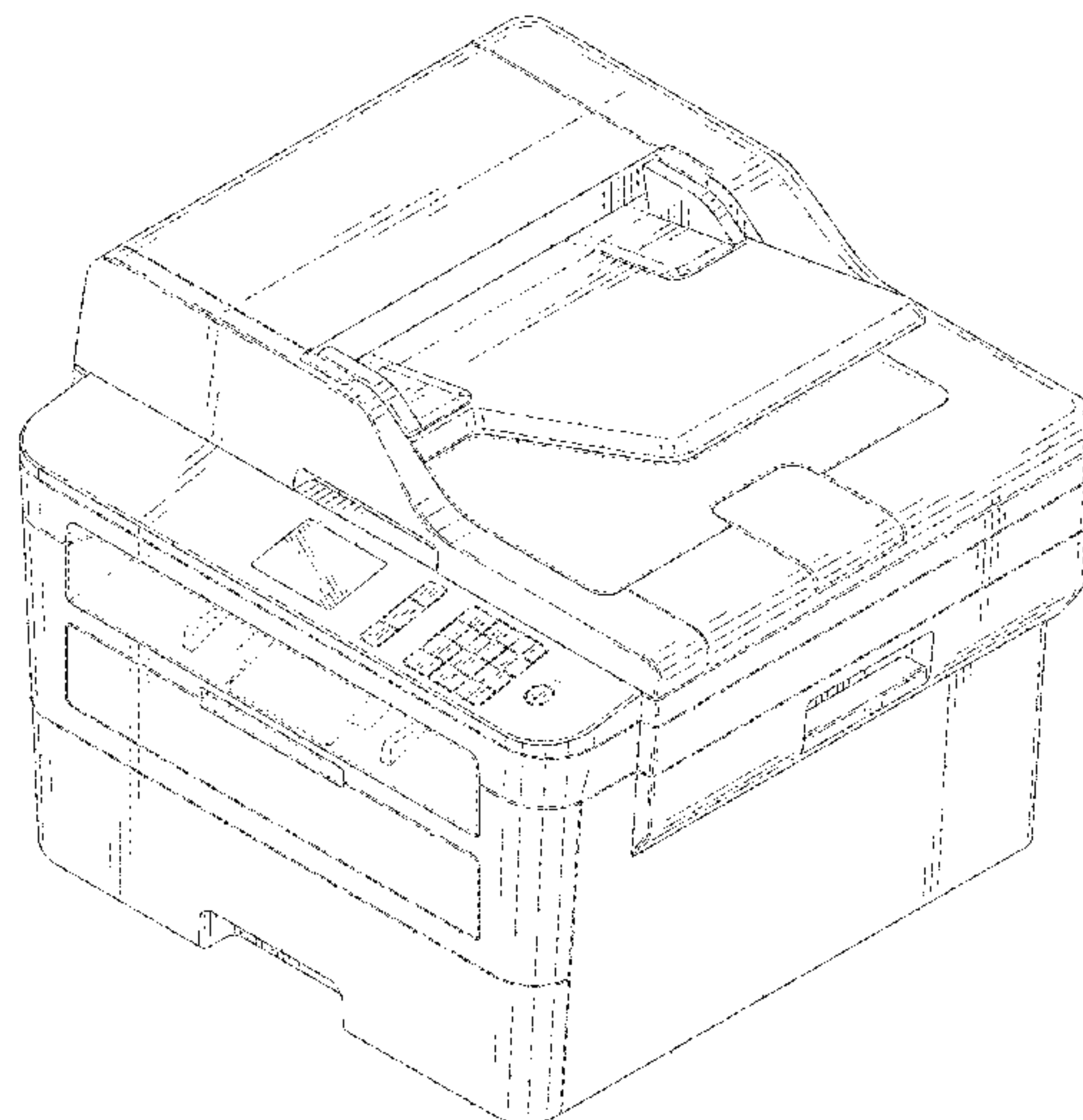
(57) **CLAIM**

The ornamental design for a printer, as shown and described.

DESCRIPTION

FIG. 1 is a perspective view of a printer according to a first embodiment;
 FIG. 2 is a front view thereof;
 FIG. 3 is a top view thereof;
 FIG. 4 is a right-side view thereof;
 FIG. 5 is a left-side view thereof;
 FIG. 6 is a rear view thereof;
 FIG. 7 is a bottom view thereof;
 FIG. 8 is a perspective view of a printer according to a second embodiment; and,
 FIG. 9 is a front view thereof.
 The broken lines shown in the drawings are included for the purpose of illustrating environmental structure and form no part of the claimed design.

1 Claim, 9 Drawing Sheets



(56)

References Cited

U.S. PATENT DOCUMENTS

D674,435	S	*	1/2013	Inoue	D18/55
D686,277	S	*	7/2013	Gilbert	D18/55
D688,742	S	*	8/2013	Kim	D18/55
D697,967	S	*	1/2014	Fukasawa	D18/55
D702,285	S	*	4/2014	Gilbert	D18/39
D724,142	S	*	3/2015	Kim	D18/55
D726,251	S	*	4/2015	Kim	D18/55
D727,410	S	*	4/2015	Saito	D18/36
D727,417	S	*	4/2015	Huang	D18/55
D749,168	S	*	2/2016	Nakagawa	D18/50
D752,135	S	*	3/2016	Uchikawa	D18/39
D755,284	S	*	5/2016	Terenzio	D18/50
D758,486	S	*	6/2016	Nakagawa	D18/55
D765,080	S	*	8/2016	Su	D14/421
D769,965	S	*	10/2016	Clark, III	D18/55
D780,840	S	*	3/2017	Kim	D18/55
D782,568	S	*	3/2017	Nishimura	D18/55
D800,123	S	*	10/2017	Tashima	D14/421
D800,214	S	*	10/2017	Sato	D18/50
D800,216	S	*	10/2017	Sato	D18/55
2017/0217699	A1	*	8/2017	Washino	B65H 1/30
2017/0217702	A1	*	8/2017	Ozeki	B65H 1/04

OTHER PUBLICATIONS

Tashima, et al, U.S. Appl. No. 29/571,099, filed Jul. 14, 2016.

Sato et al, U.S. Appl. No. 29/464,262, filed Aug. 14, 2013.

Tashima, et al, U.S. Appl. No. 29/571,130, filed Jul. 14, 2016.

* cited by examiner

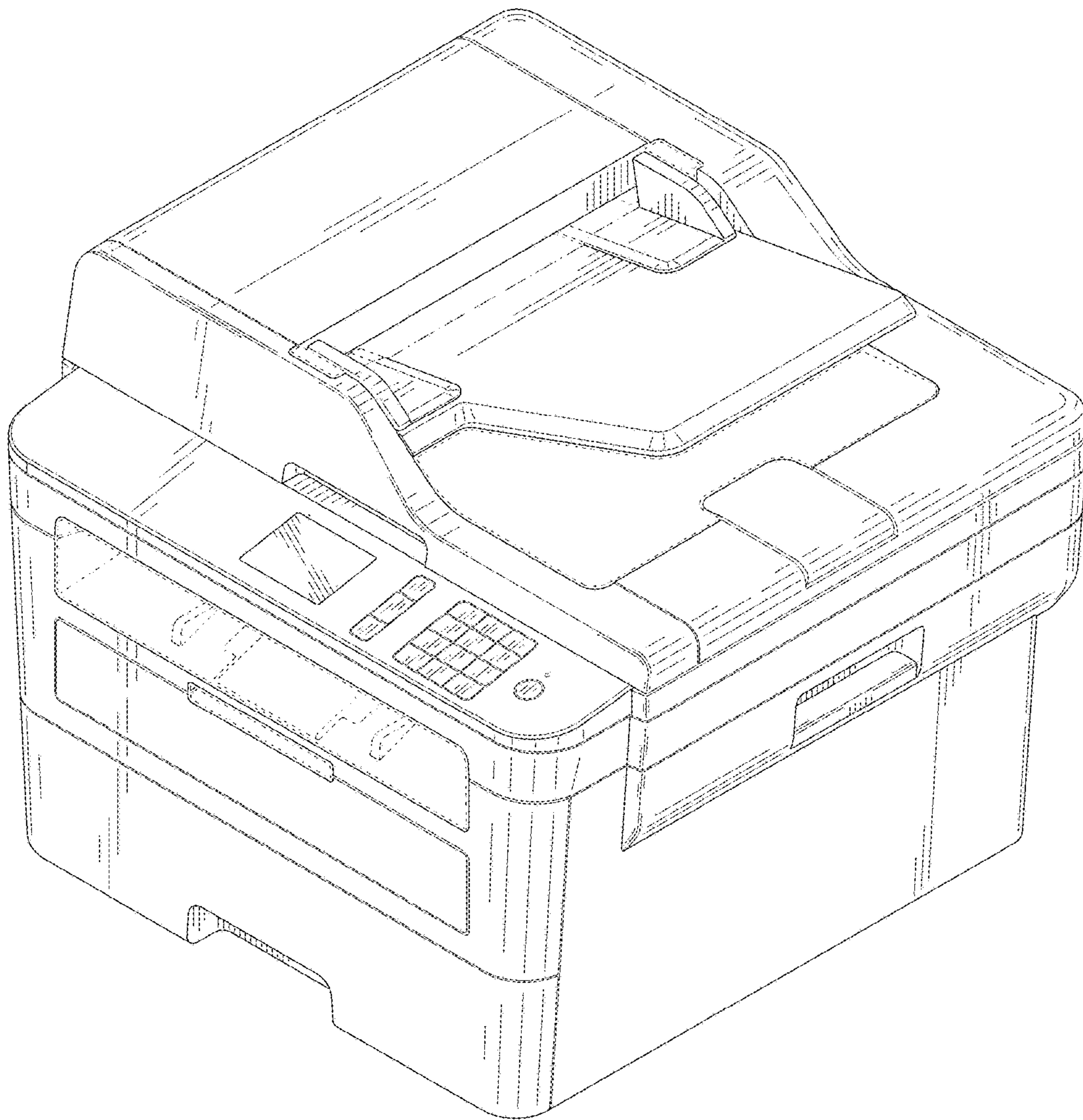


FIG. 1

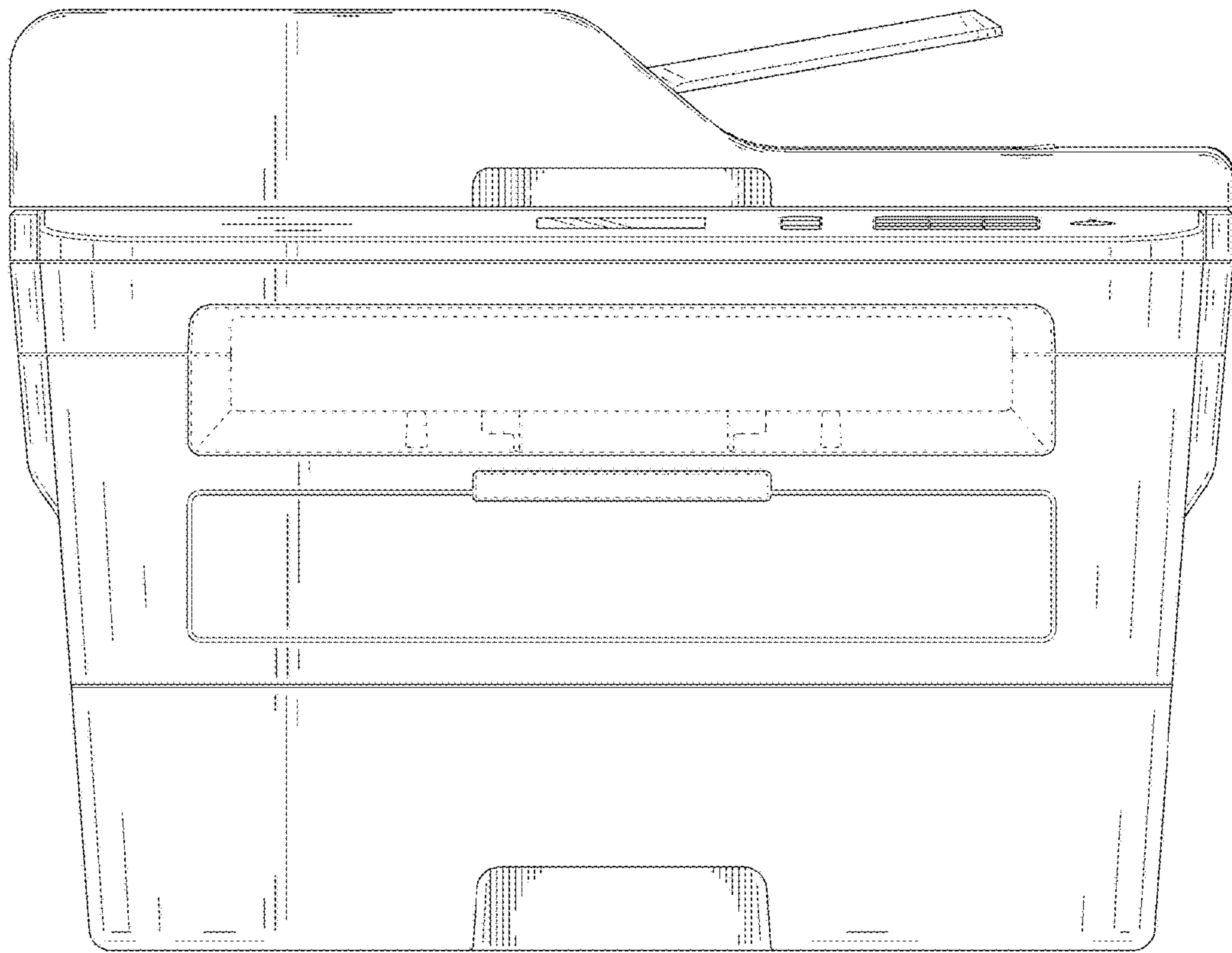


FIG. 2

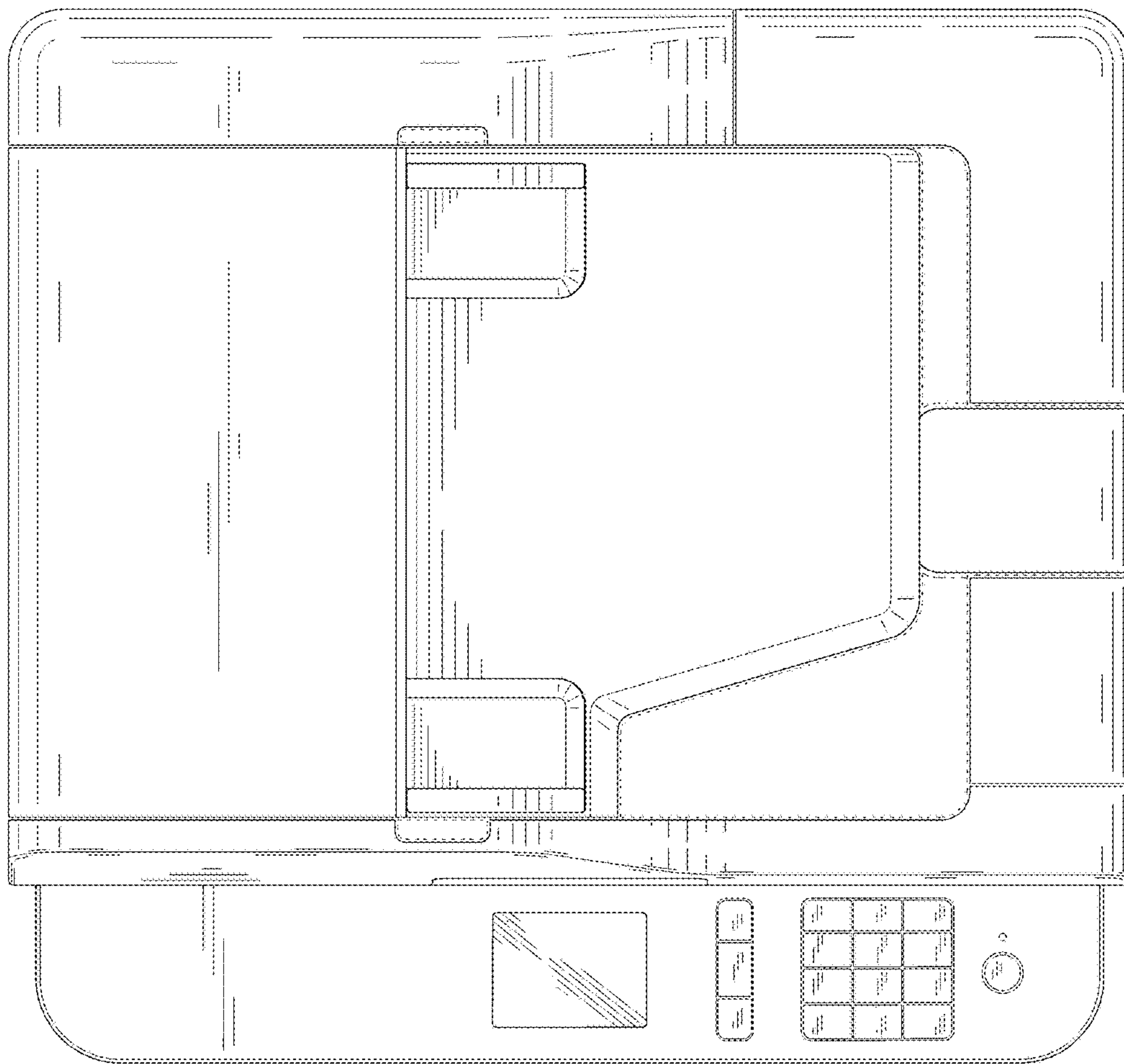


FIG. 3

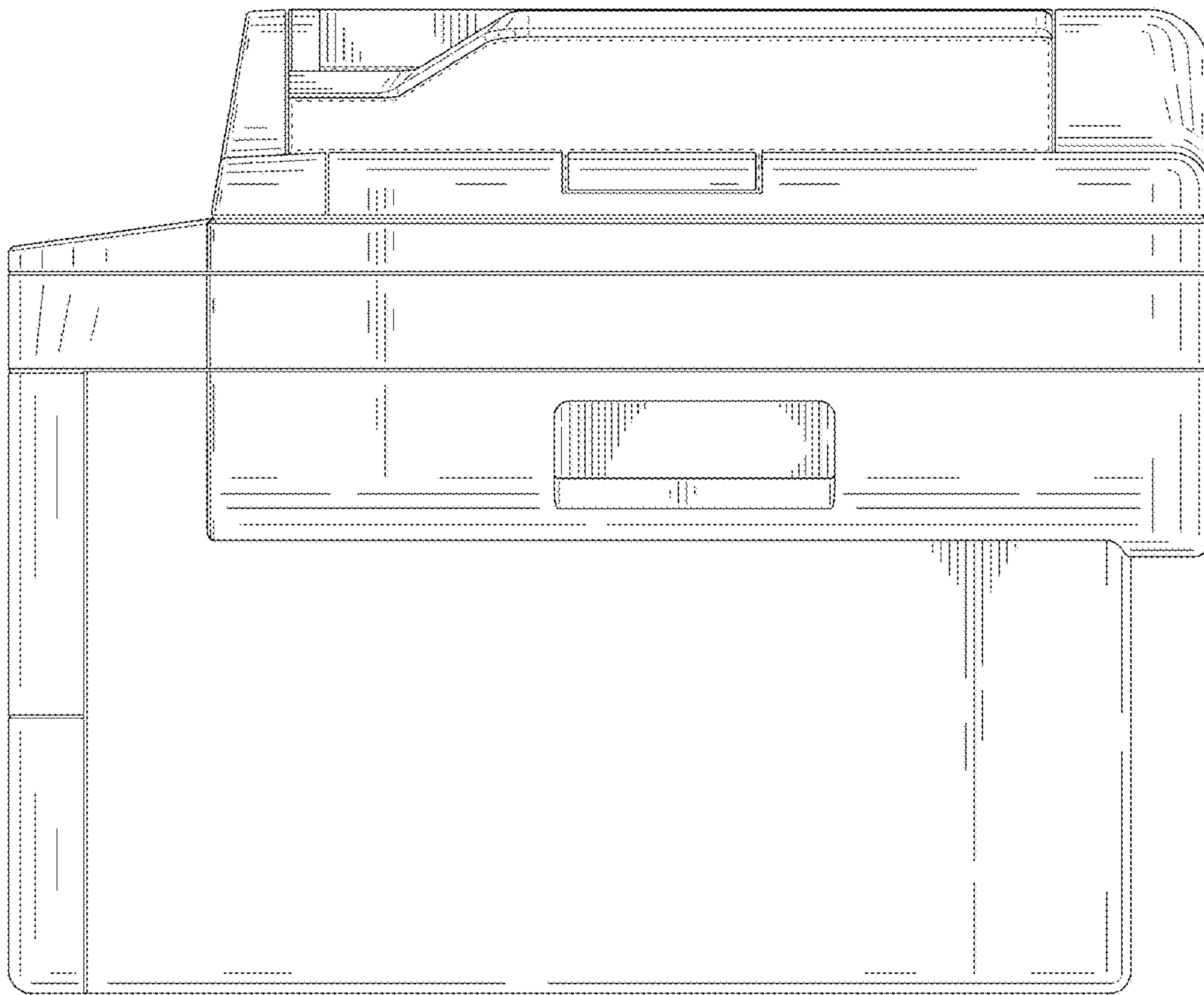


FIG. 4

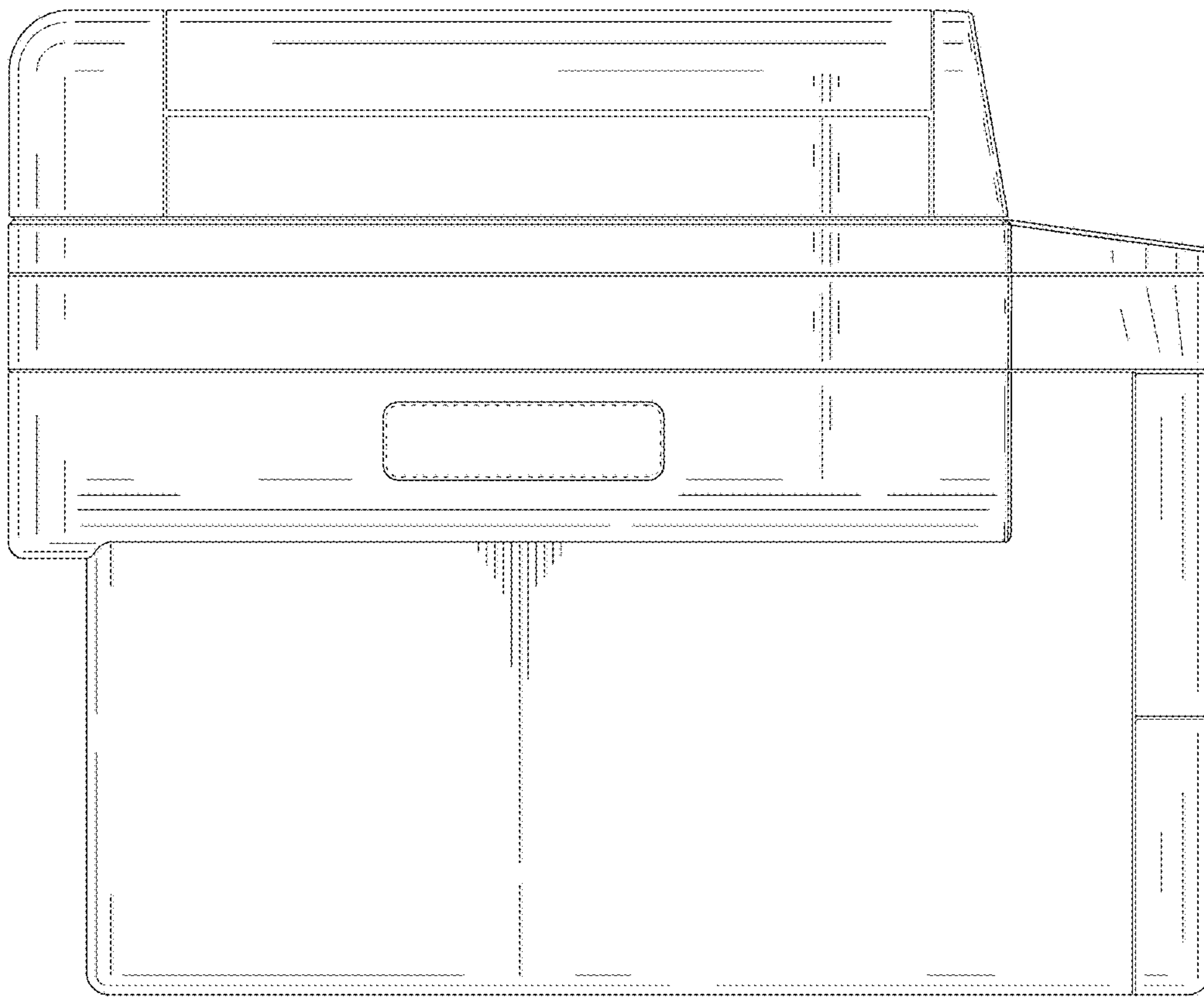


FIG. 5

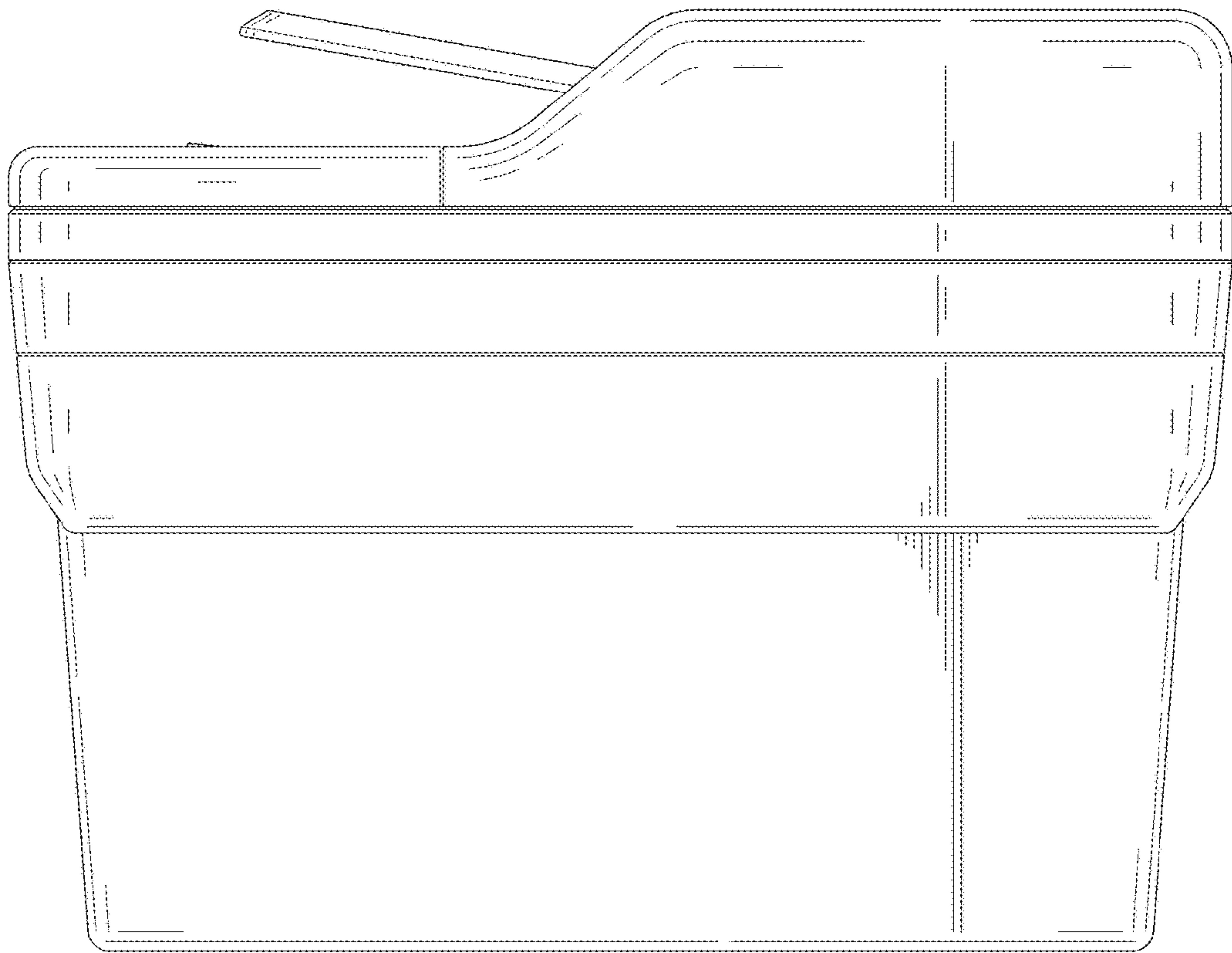


FIG. 6

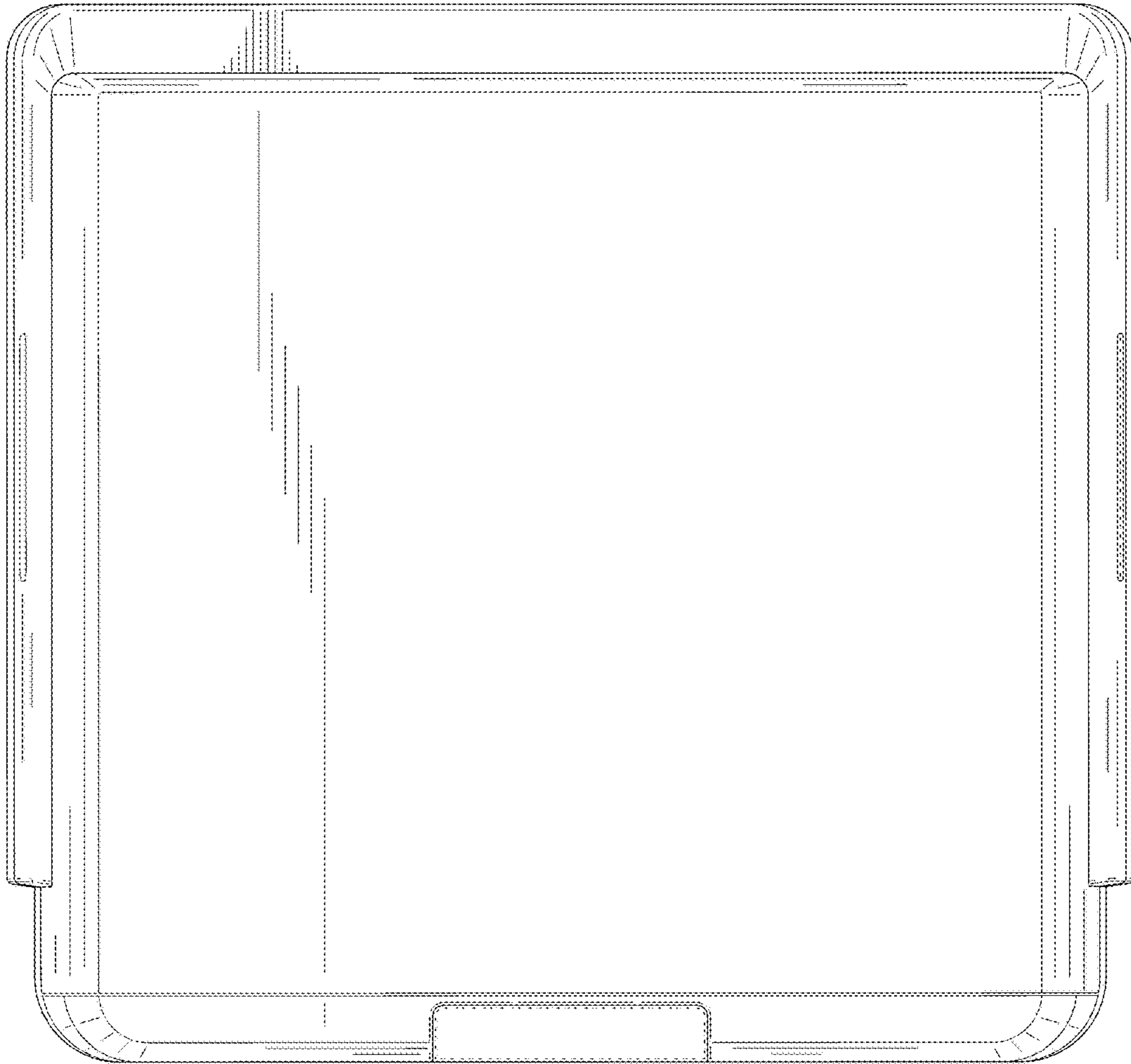


FIG. 7

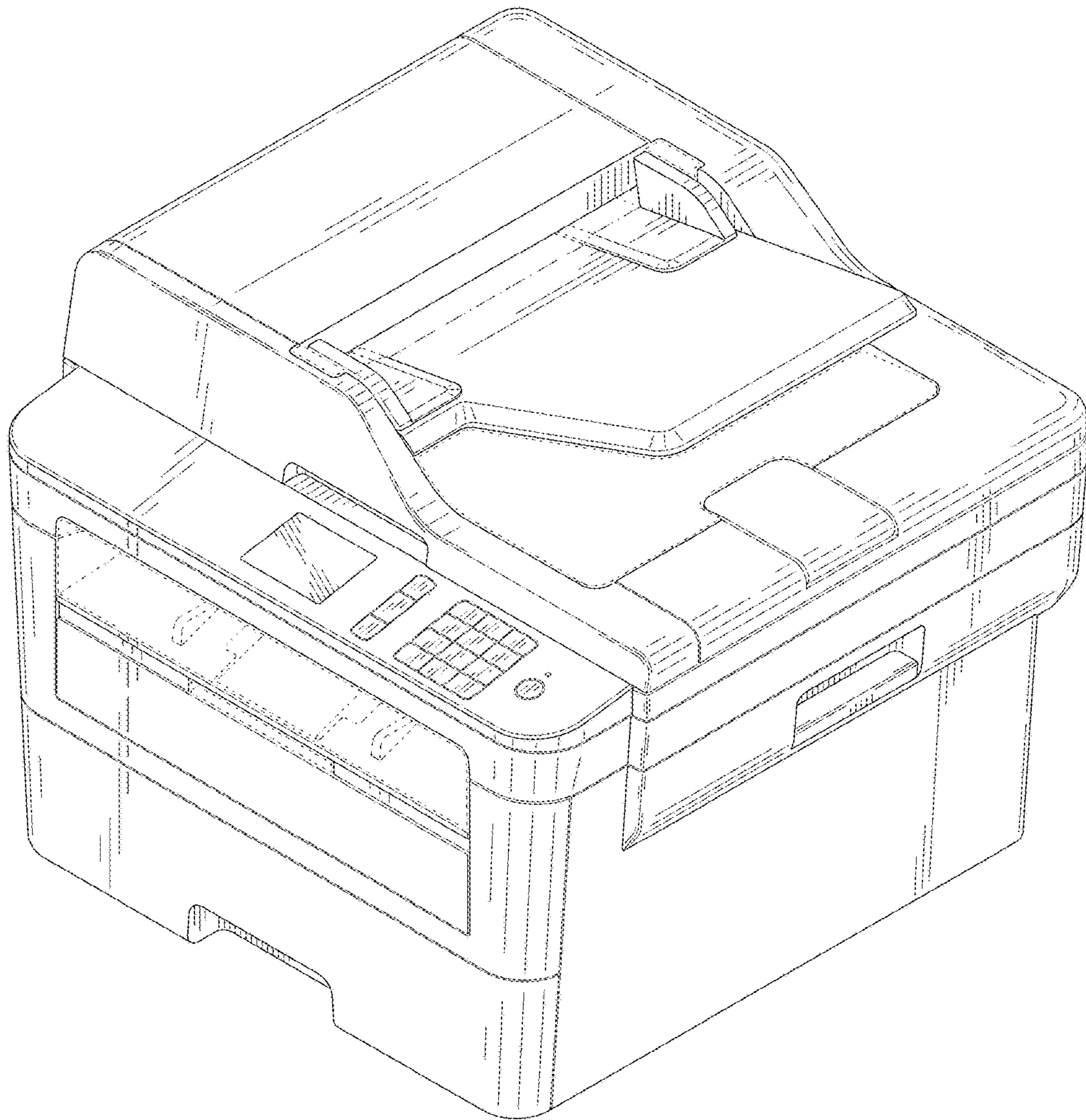


FIG. 8

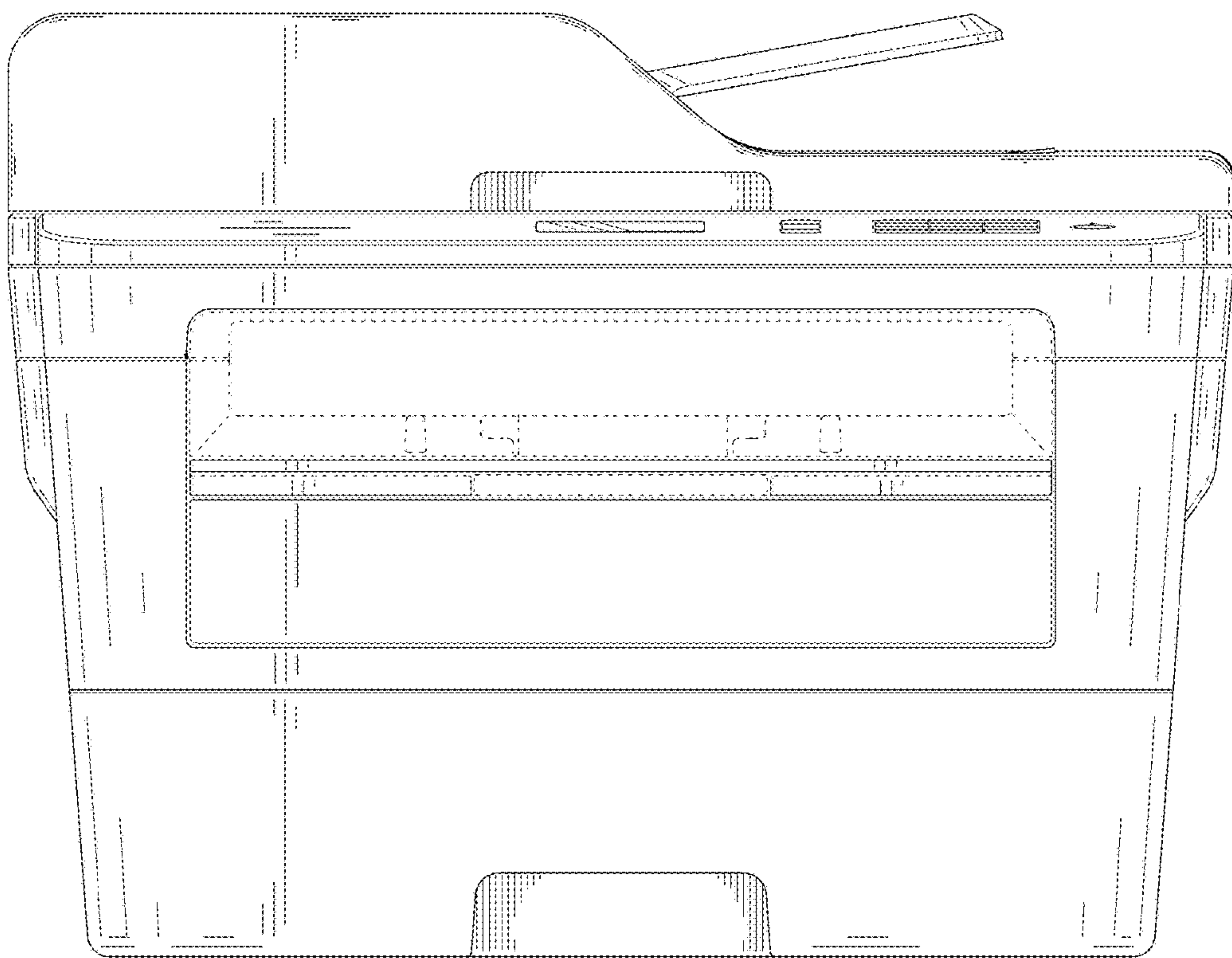


FIG. 9