



US00D812132S

(12) **United States Design Patent** (10) **Patent No.:** **US D812,132 S**
Ozawa et al. (45) **Date of Patent:** **** Mar. 6, 2018**

(54) **LABEL PRINTER**

(71) Applicant: **SATO HOLDINGS KABUSHIKI KAISHA**, Tokyo (JP)

(72) Inventors: **Taichi Ozawa**, Tokyo (JP); **Keita Kuramochi**, Tokyo (JP); **Hiroshi Kokuta**, Tokyo (JP)

(73) Assignee: **SATO HOLDINGS KABUSHIKI KAISHA**, Tokyo (JP)

(**) Term: **15 Years**

D775,275 S * 12/2016 Takahashi D18/50
D799,589 S * 10/2017 Maeda D18/19
D800,830 S * 10/2017 Maeda D18/19

(Continued)

Primary Examiner — Robin V Webster
Assistant Examiner — James C Thorn, Sr.
(74) *Attorney, Agent, or Firm* — Andrew F. Young, Esq.;
Lackenbach Siegel, LLP

(57) **CLAIM**

The ornamental design for a label printer, as shown and described.

DESCRIPTION

(21) Appl. No.: **29/593,107**

(22) Filed: **Feb. 6, 2017**

(30) **Foreign Application Priority Data**

Aug. 8, 2016 (JP) 2016-017009

(51) **LOC (11) Cl.** **18-99**

(52) **U.S. Cl.**
USPC **D18/19; D18/14**

(58) **Field of Classification Search**
USPC D18/14, 19, 50, 54, 54.1, 55; D19/68
CPC . B41J 3/4075; B41J 11/58; B41J 15/00; B41J
15/042; B65C 11/00
See application file for complete search history.

FIG. 1 is a front perspective view of the label printer, showing our new design;
FIG. 2 is a rear perspective view of FIG. 1.
FIG. 3 is a left side elevation view of FIG. 1.
FIG. 4 is a right side elevation view of FIG. 1.
FIG. 5 is a top plan view of FIG. 1.
FIG. 6 is a front side elevation view of FIG. 1.
FIG. 7 is a rear side elevation view of FIG. 1.
FIG. 8 is an illustrative reference view of FIG. 1 in a state of use; and,
FIG. 9 is an illustrative reference view of FIG. 1 in an alternative state of use.

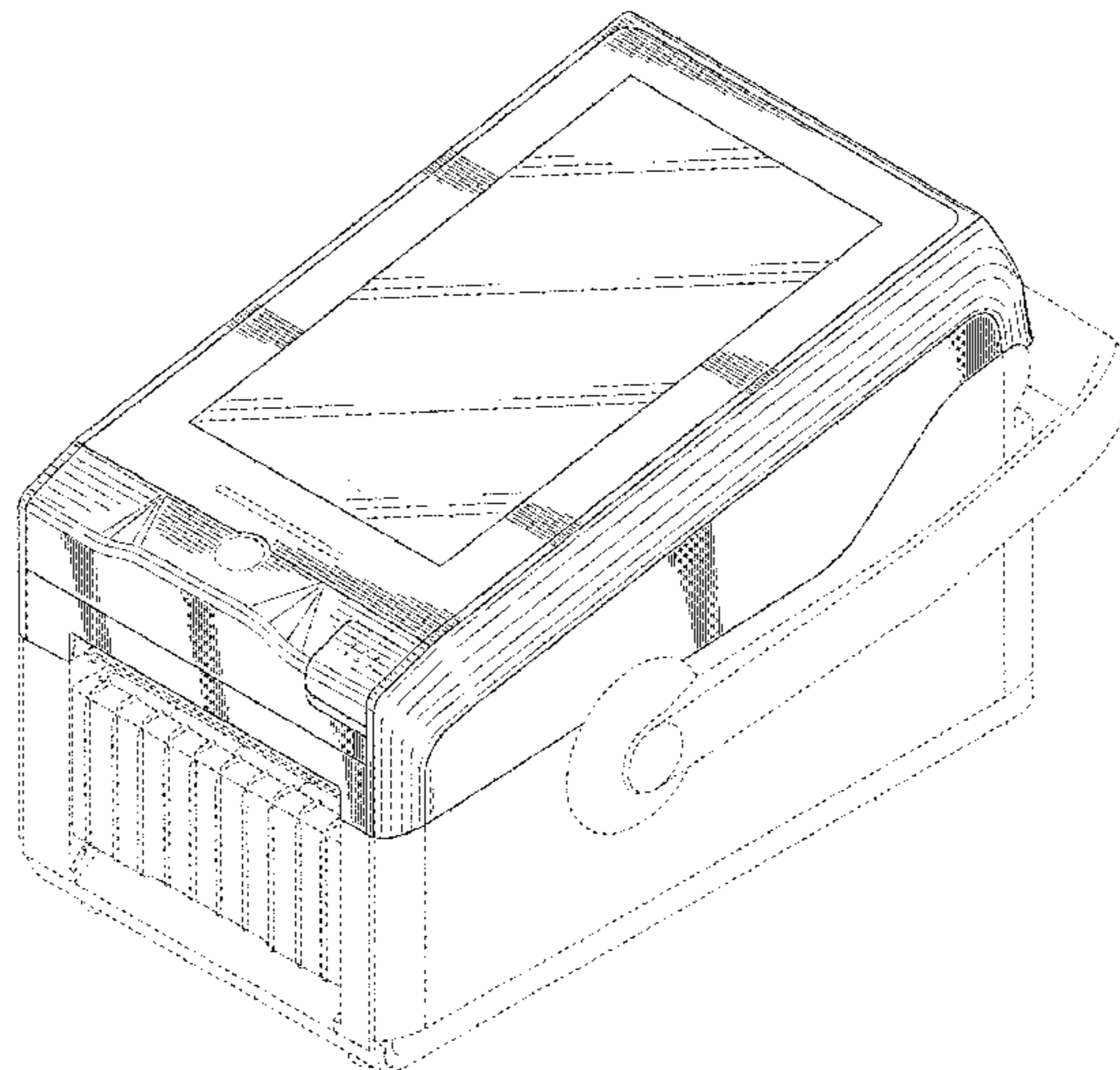
The surfaces are lightly lined for contour only. The broken lines indicate disclaimed subject matter for environmental purposes only and form no part of the claimed design. No bottom view is provided as it is fully blocked by the disclaimed portions. The illustrative reference views in FIGS. 8 and 9 illustrate alternative states of use with adaptive portions in conjunction with the label printer, and form no part of the claimed design, and adaptive features are shown in broken lines further forming no part of the claimed design. The entire inner-inside surfaces as shown in FIG. 3 fully disclaimed and are bounded by and disclaimed by the broken lines, as shown. No claim is made to portions of the design which are not show.

(56) **References Cited**

U.S. PATENT DOCUMENTS

D327,087 S * 6/1992 Ivester D18/54
D422,631 S * 4/2000 Toriyama D18/50
D530,361 S * 10/2006 Chambers D18/50
D607,503 S * 1/2010 Hyakumoto D18/19
D677,720 S * 3/2013 Tanaka D18/55
D750,162 S * 2/2016 Ozawa D18/19
D752,137 S * 3/2016 Mita D18/19
D753,217 S * 4/2016 Ozawa D18/50
D768,235 S * 10/2016 Ozawa D18/56

1 Claim, 9 Drawing Sheets



(56)

References Cited

U.S. PATENT DOCUMENTS

2017/0072718 A1* 3/2017 Watanabe B41J 15/042
2017/0348983 A1* 12/2017 Suzuki B41J 3/4075

* cited by examiner

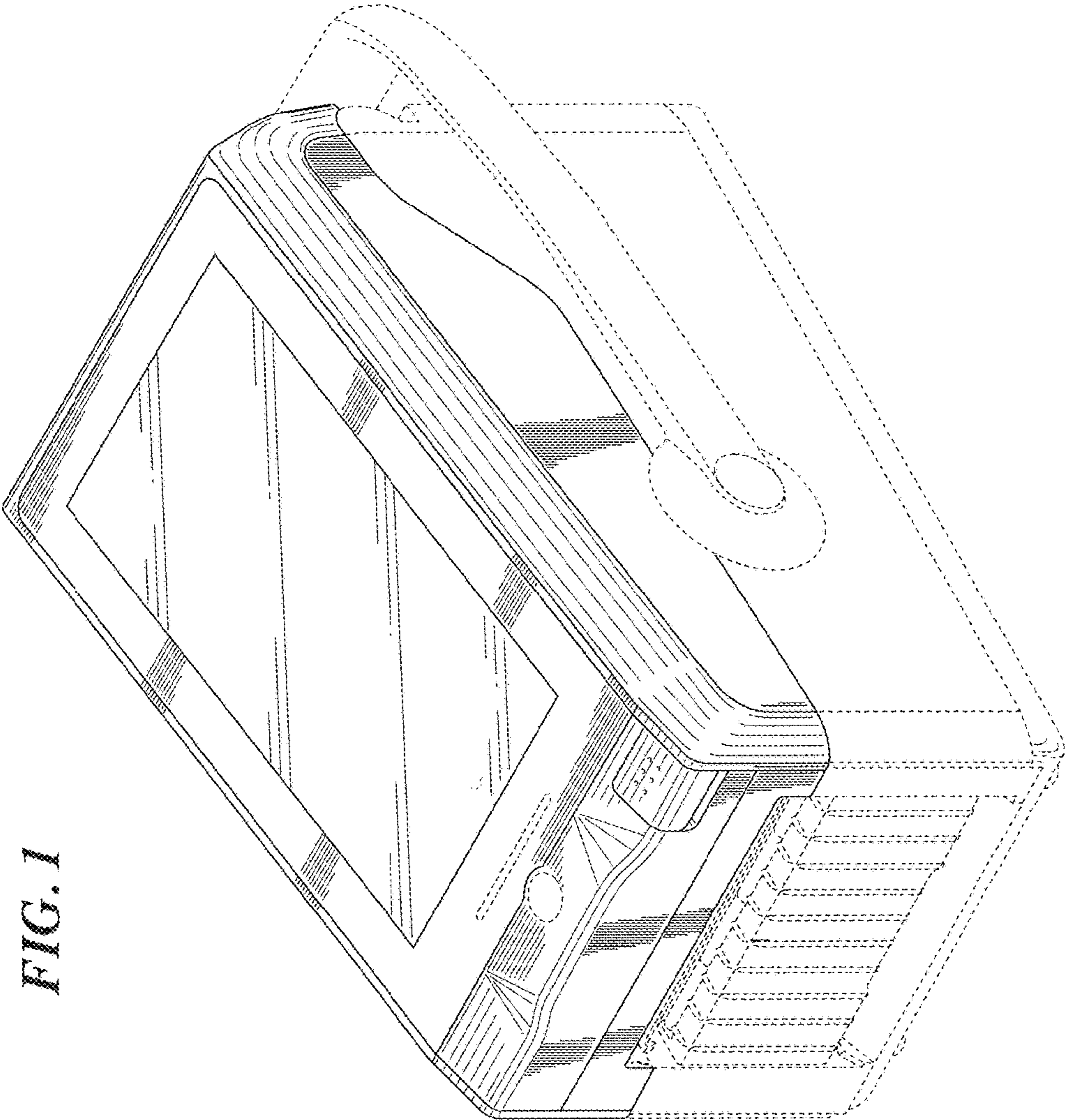


FIG. 1

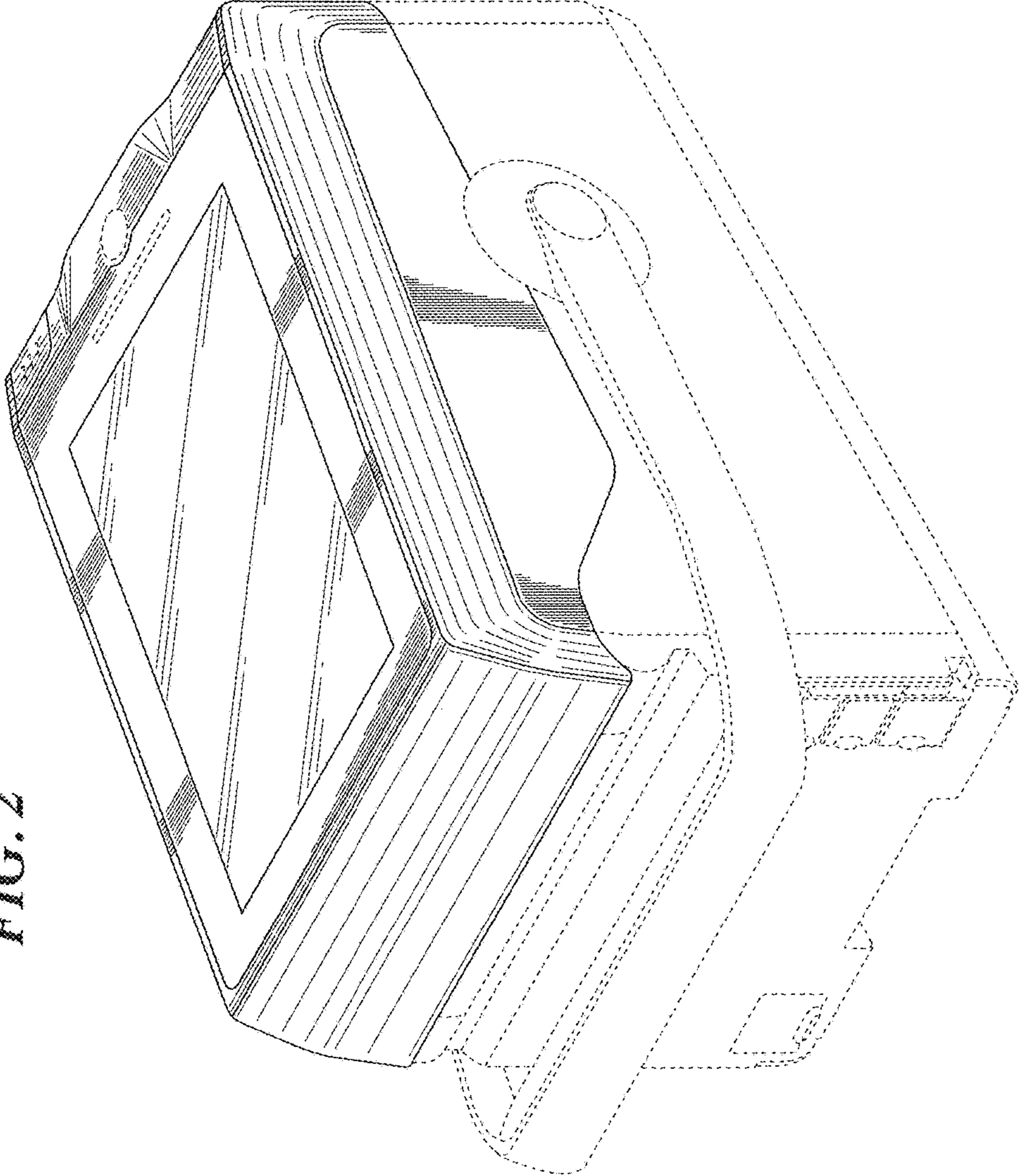


FIG. 2

FIG. 3

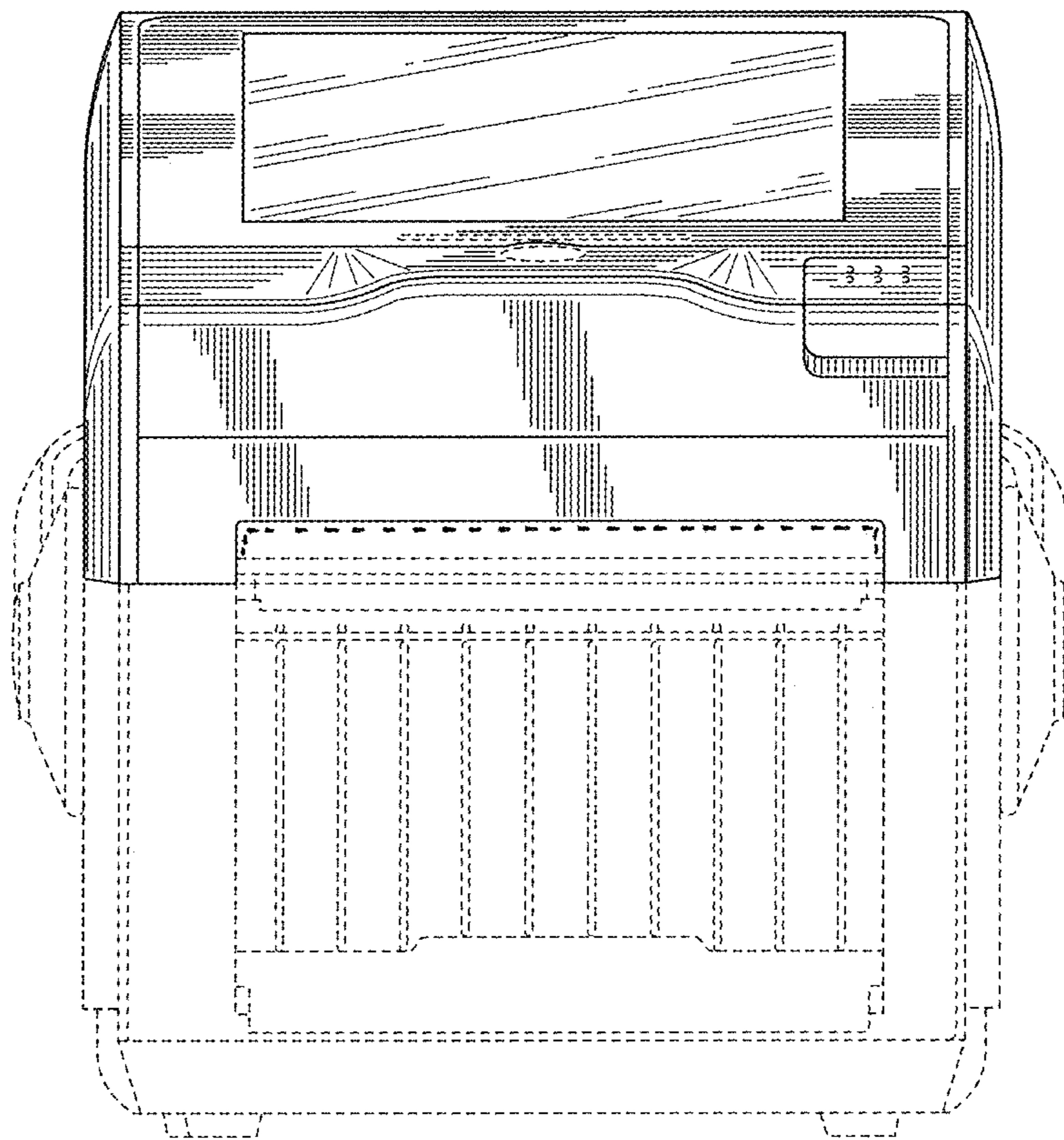


FIG. 4

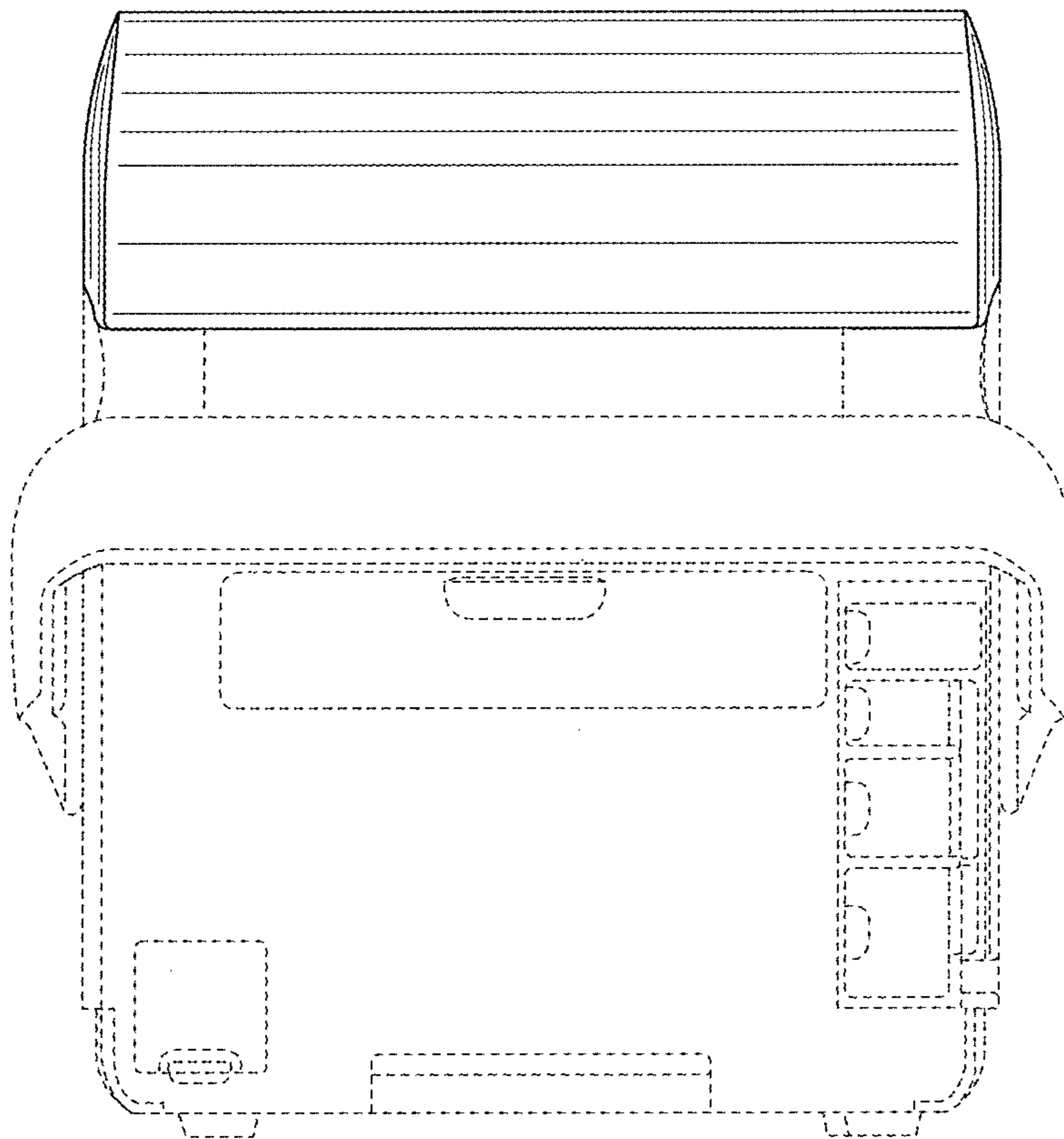


FIG. 5

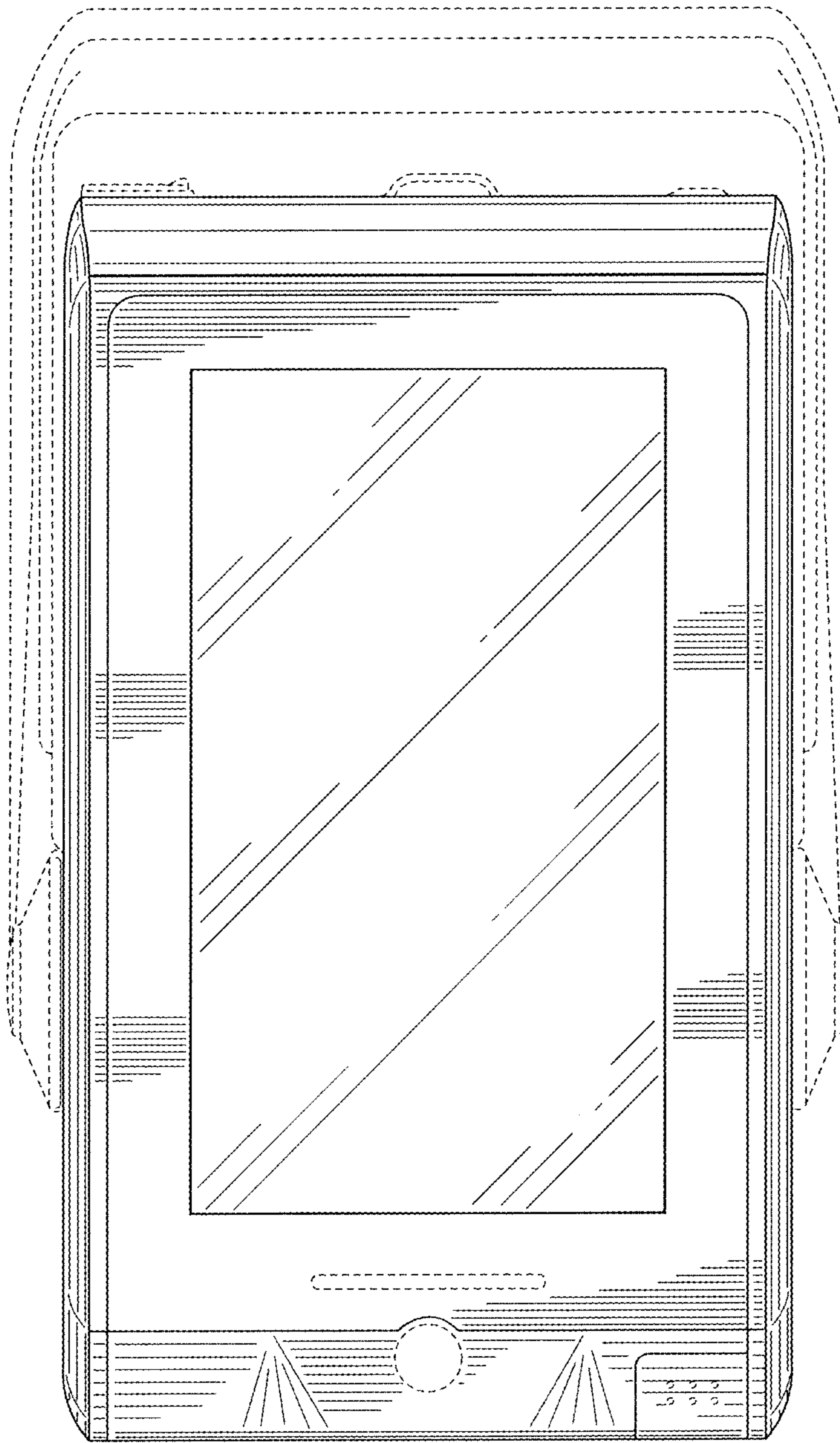


FIG. 6

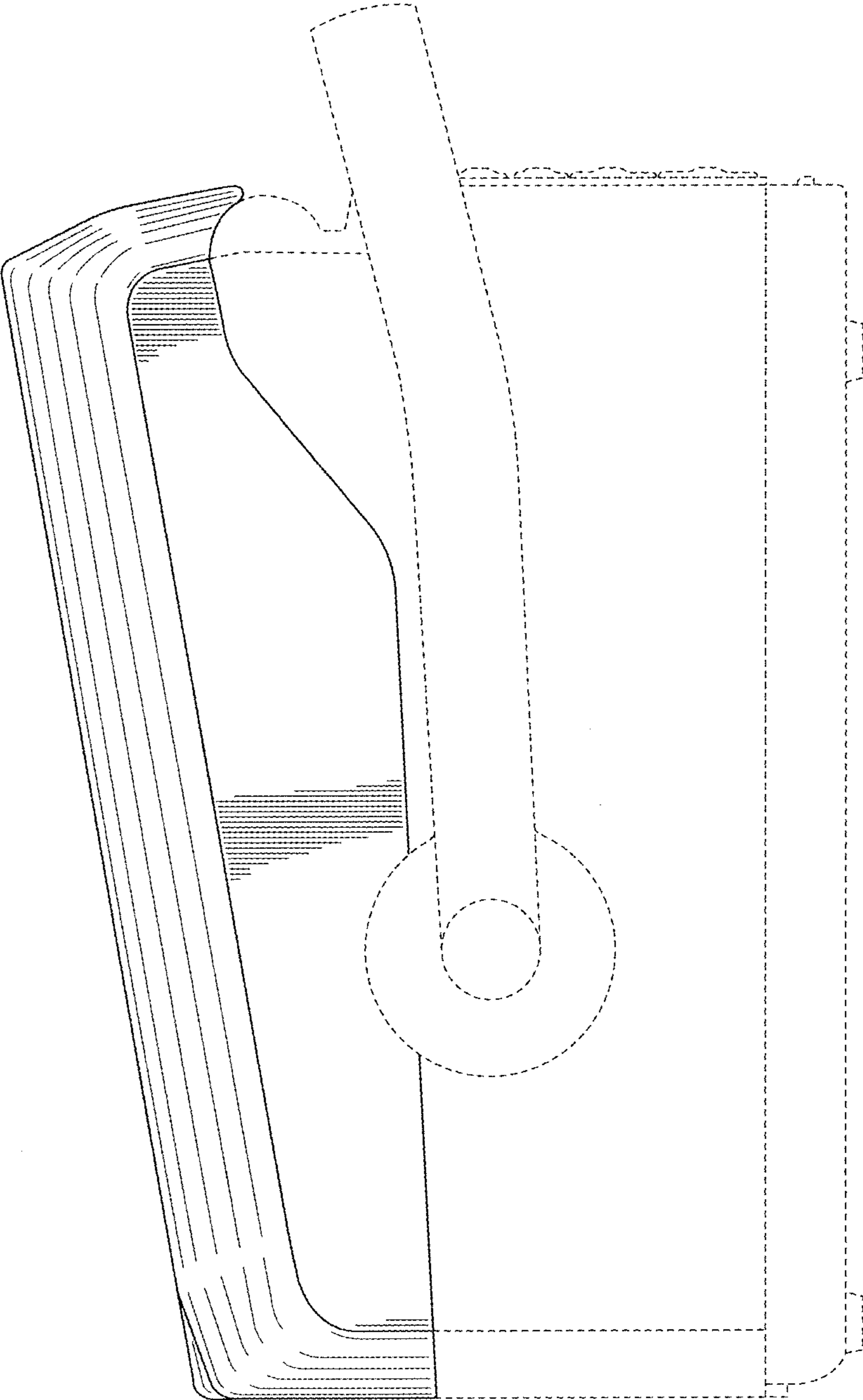


FIG. 7

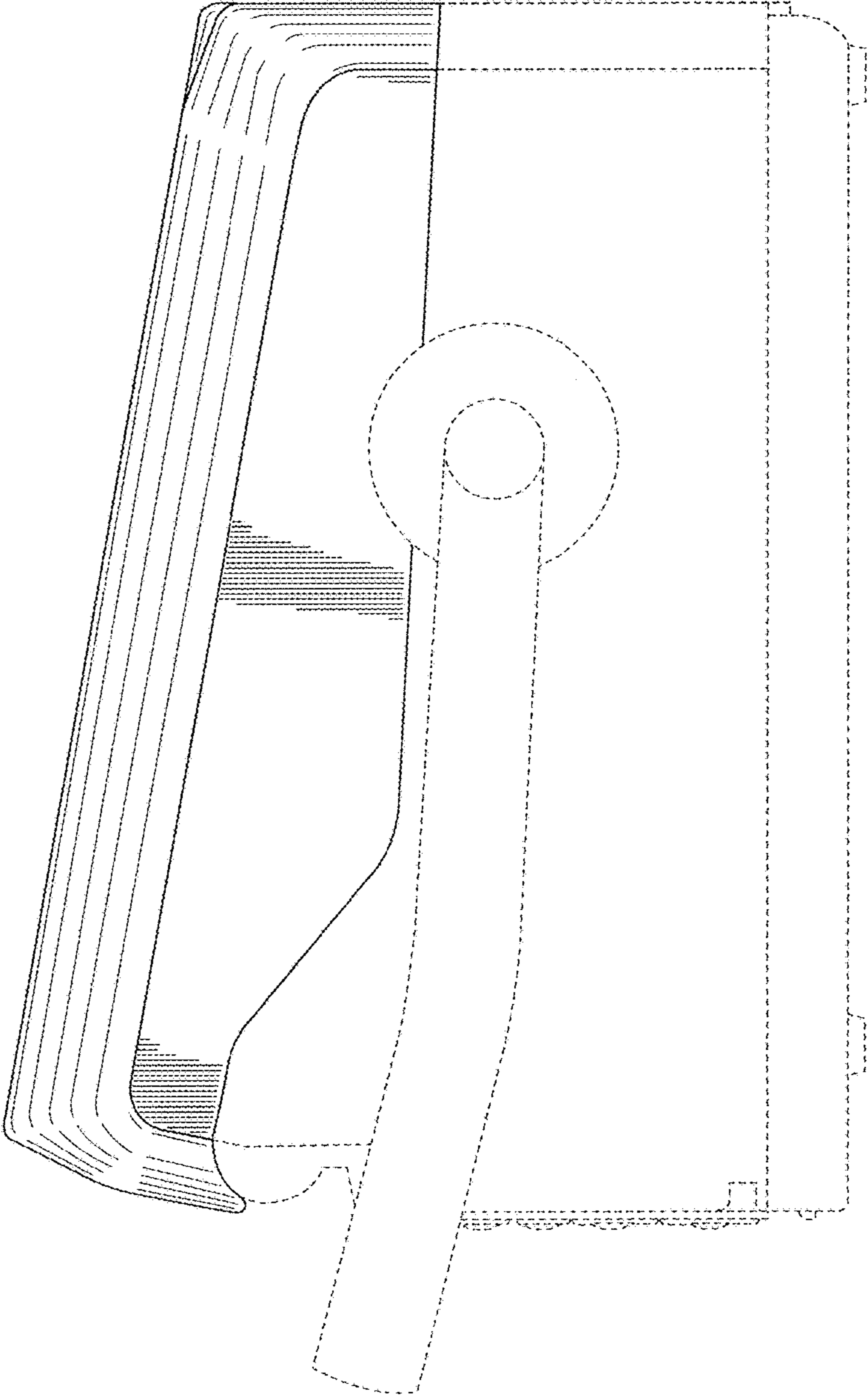
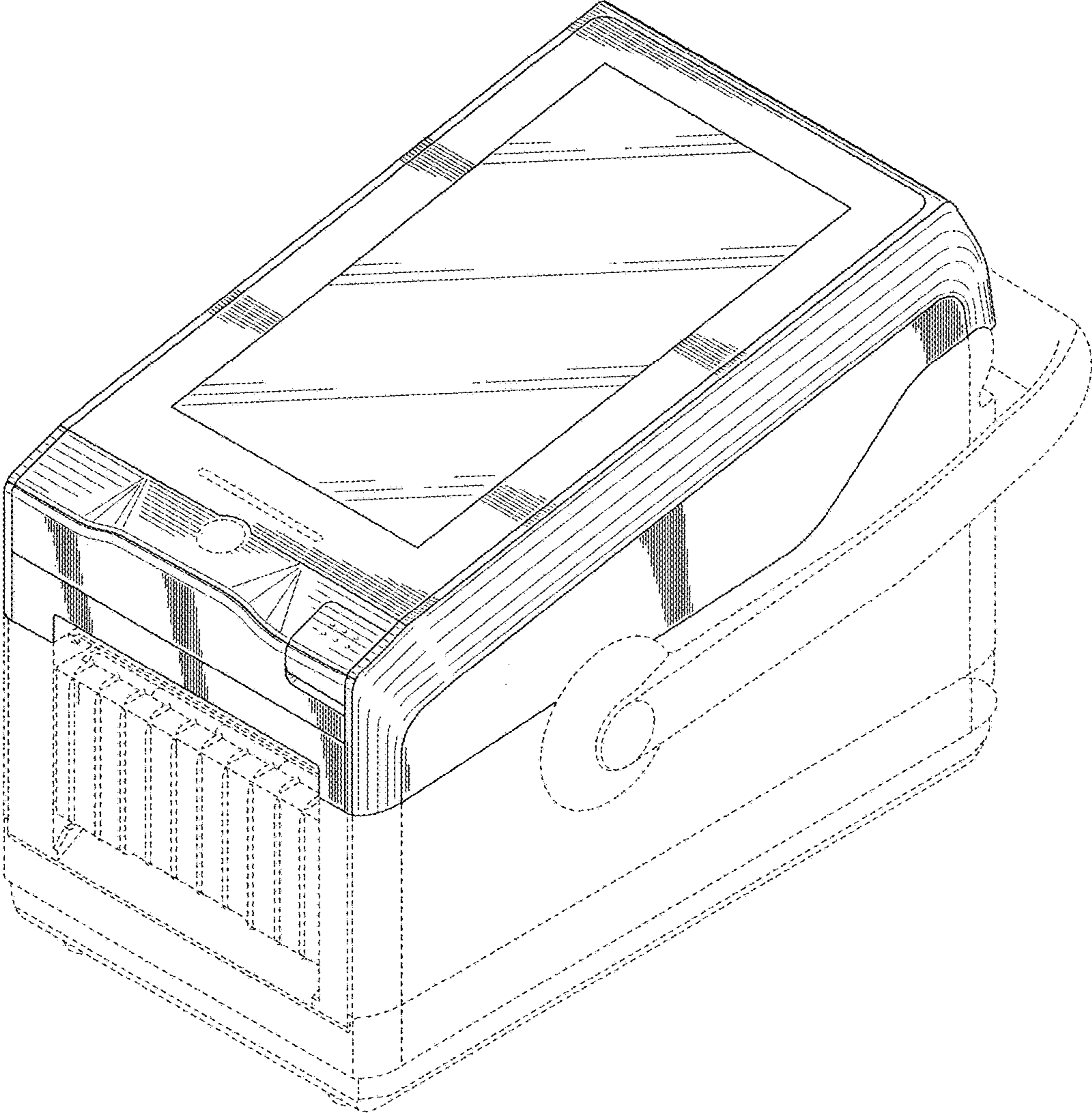


FIG. 8



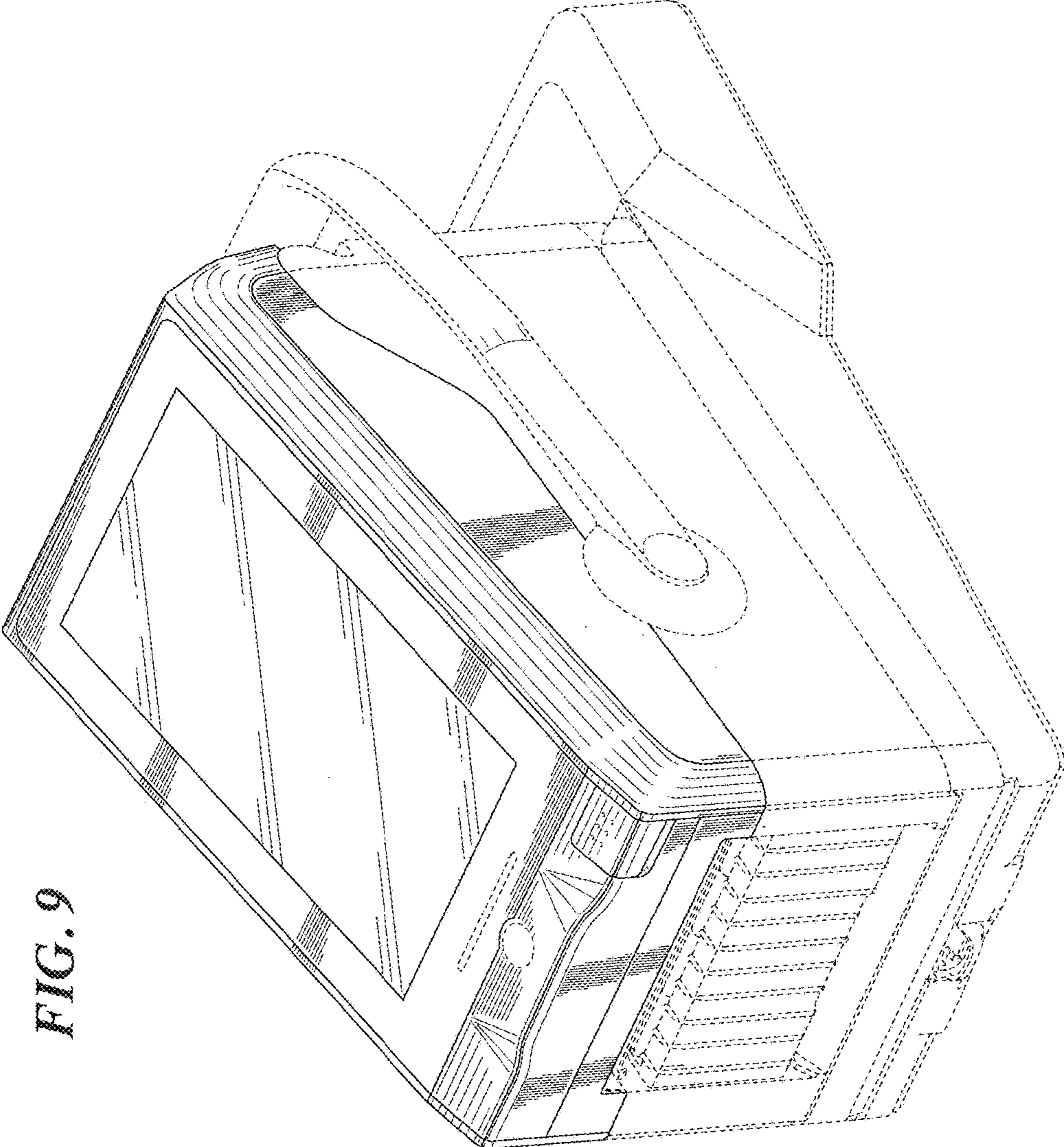


FIG. 9