



US00D812131S

(12) **United States Design Patent**
Lengdorfer

(10) **Patent No.:** **US D812,131 S**
(45) **Date of Patent:** **** Mar. 6, 2018**

- (54) **ABACUS**
- (71) Applicant: **Sheryle Lengdorfer**, Gardnerville, NV (US)
- (72) Inventor: **Sheryle Lengdorfer**, Gardnerville, NV (US)
- (73) Assignee: **Sheryle Lengdorfer**, Gardnerville, NV (US)

| | | | | | |
|--------------|------|---------|--------------|-------|------------|
| 5,133,684 | A * | 7/1992 | Rhodes | | A63H 33/00 |
| | | | | | 248/153 |
| 5,205,747 | A * | 4/1993 | Tan | | G06C 1/00 |
| | | | | | 434/203 |
| D413,472 | S * | 9/1999 | Dagan | | D18/6 |
| D598,790 | S * | 8/2009 | Denessen | | D10/46.1 |
| D644,131 | S * | 8/2011 | Karu | | D10/46.1 |
| D674,441 | S * | 1/2013 | Rule | | D19/62 |
| D754,800 | S * | 4/2016 | Hu | | D21/468 |
| 2009/0111351 | A1 * | 4/2009 | Krochak | | A63F 9/34 |
| | | | | | 446/137 |
| 2012/0251986 | A1 * | 10/2012 | Silas-Martin | | G06C 1/00 |
| | | | | | 434/203 |

(**) Term: **15 Years**

(21) Appl. No.: **29/620,142**

(22) Filed: **Jul. 14, 2016**

(51) **LOC (11) Cl.** **18-01**

(52) **U.S. Cl.**
USPC **D18/6; D19/64**

(58) **Field of Classification Search**
USPC D18/1, 6-11; D19/59, 62, 64, 65, 100;
D10/96, 97, 46.1; D21/512, 515, 468,
D21/398

CPC G06C 1/00; G09B 19/00; G09B 19/02
See application file for complete search history.

(56) **References Cited**

U.S. PATENT DOCUMENTS

| | | | | | |
|-----------|-----|---------|-----------------|-------|------------|
| 352,218 | A * | 11/1886 | Bolton et al. | | G09B 19/02 |
| | | | | | 235/123 |
| 541,787 | A * | 6/1895 | Hegewald et al. | | G09B 19/02 |
| | | | | | 434/192 |
| 580,516 | A * | 4/1897 | Andrew | | G09B 19/02 |
| | | | | | 434/203 |
| 1,028,212 | A * | 6/1912 | Hegewald | | G09B 19/02 |
| | | | | | 434/203 |
| 1,028,227 | A * | 6/1912 | Kruger | | G09B 19/02 |
| | | | | | 434/203 |
| D142,020 | S * | 8/1945 | Davidson | | D21/468 |
| D149,083 | S * | 3/1948 | Mooney | | 434/203 |
| 2,708,797 | A * | 5/1955 | Hamer | | G09B 19/02 |
| | | | | | 434/203 |

OTHER PUBLICATIONS

Little Genius Students Abacus Multi Color. amazon.in[online] 4 pgs. Available at least as early as Apr. 8, 2014(See verified purchase review by Duchyant Bhatt p. 3). [Retrieved on Oct. 16, 2017] https://www.amazon.in/Little-Genius-Students-Abacus-Multi/dp/B00F1D7CO8/261-6073163-9613425?_encoding=UTF8&%2AVersion%2A.*

(Continued)

Primary Examiner — Susan Bennett Hattan
Assistant Examiner — Marie D. Fast Horse
(74) *Attorney, Agent, or Firm* — John Crosby

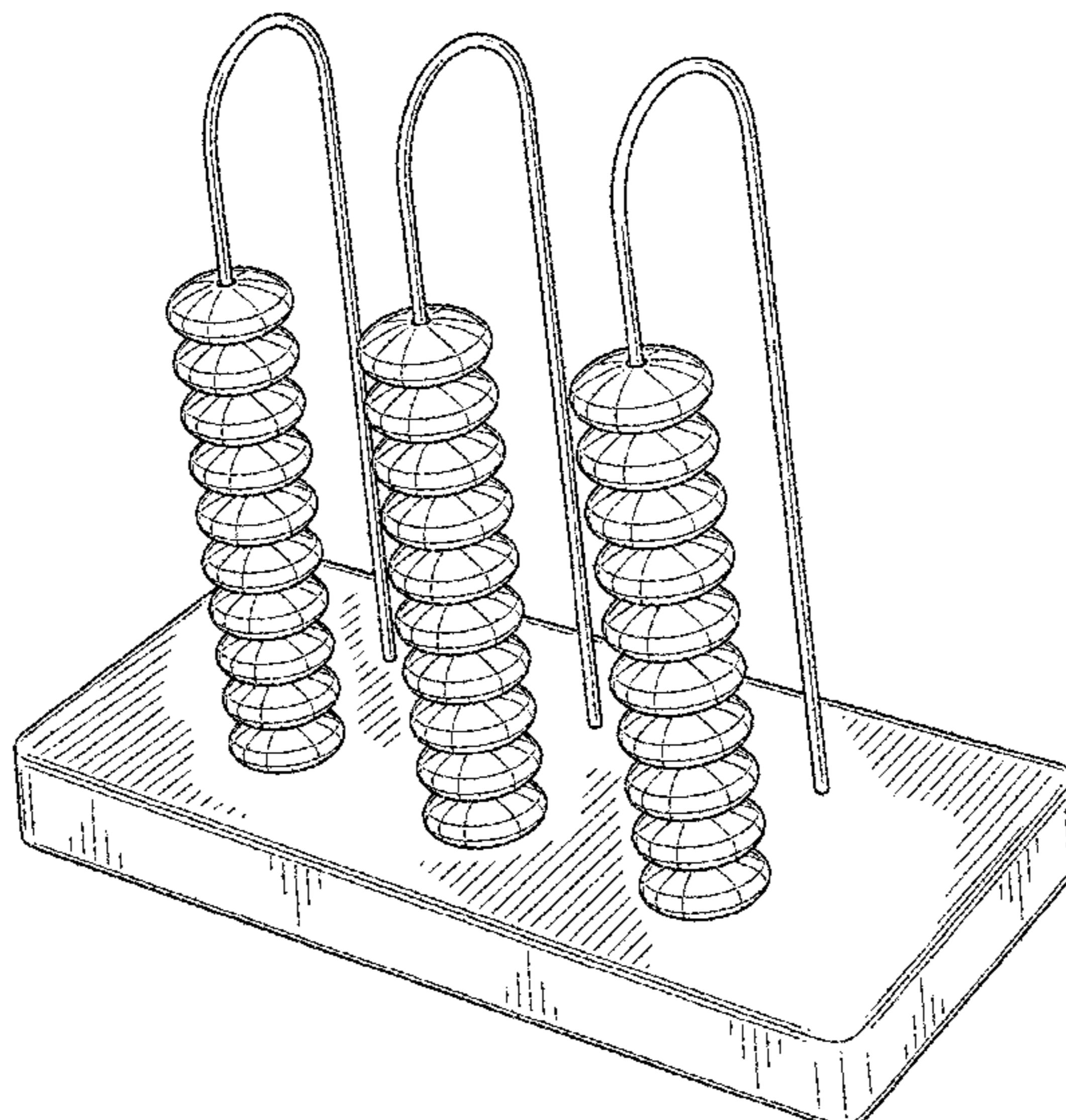
(57) **CLAIM**

The ornamental design for an abacus, as shown and described.

DESCRIPTION

FIG. 1 is a perspective view of an abacus;
FIG. 2 is a front elevation view thereof;
FIG. 3 is a rear elevation view thereof;
FIG. 4 is a left side elevation view thereof;
FIG. 5 is a right side elevation view thereof;
FIG. 6 is a top plan view thereof; and,
FIG. 7 is a bottom plan view thereof.

1 Claim, 7 Drawing Sheets



(56)

References Cited

OTHER PUBLICATIONS

Abacuses.(Design—© Questel). orbit.com.[online PDF] 13 pgs.
Print Dates range Mar. 26, 2008 through Sep. 25, 2013. [Retrieved
on Oct. 12, 2017] [https://sobjprd.questel.fr/export/QPTUJ214/pdf2/
847c046b-cc6c-408b-97f1-a54e2bb930aa-235632.pdf](https://sobjprd.questel.fr/export/QPTUJ214/pdf2/847c046b-cc6c-408b-97f1-a54e2bb930aa-235632.pdf).*

* cited by examiner

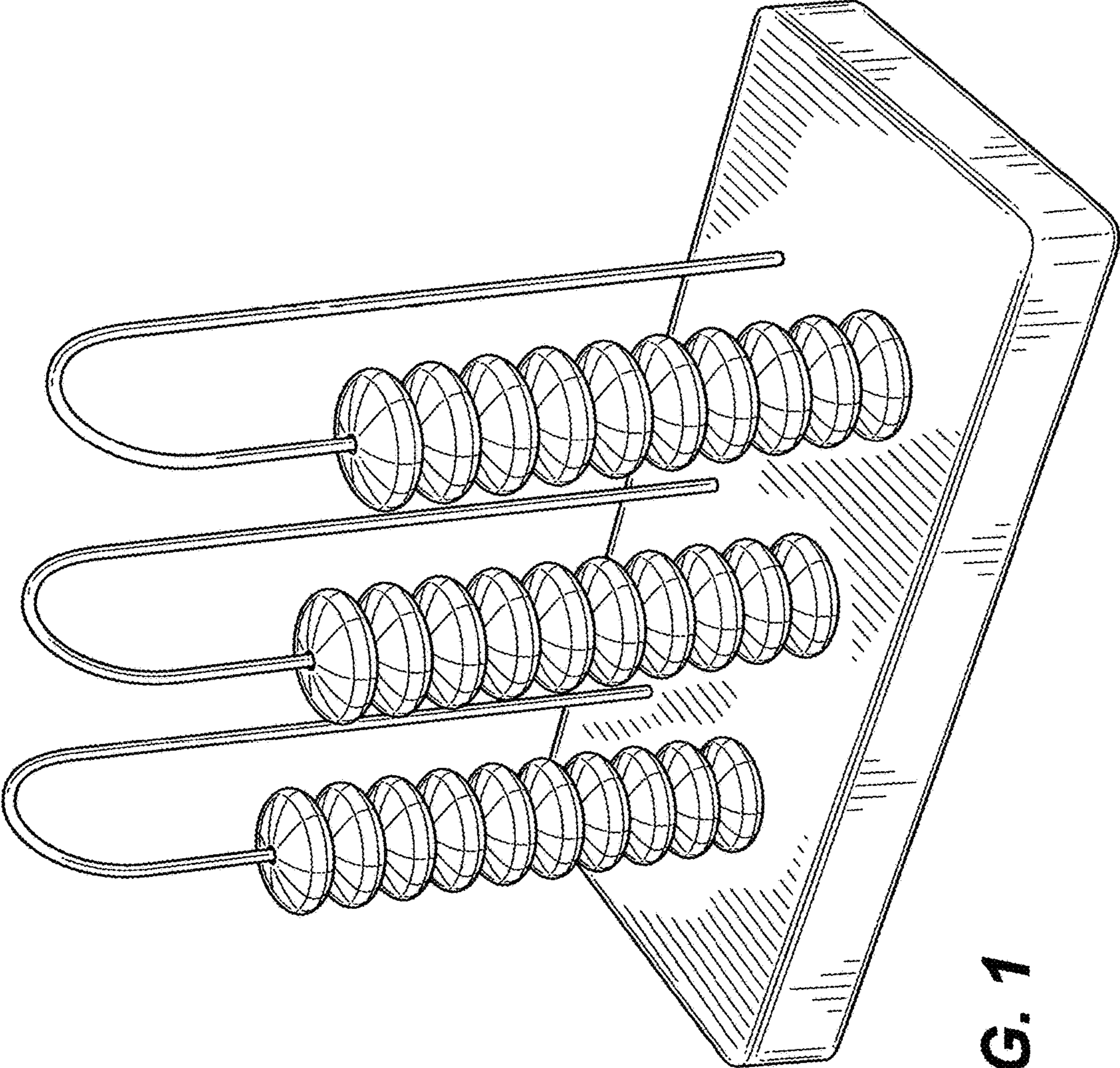


FIG. 1

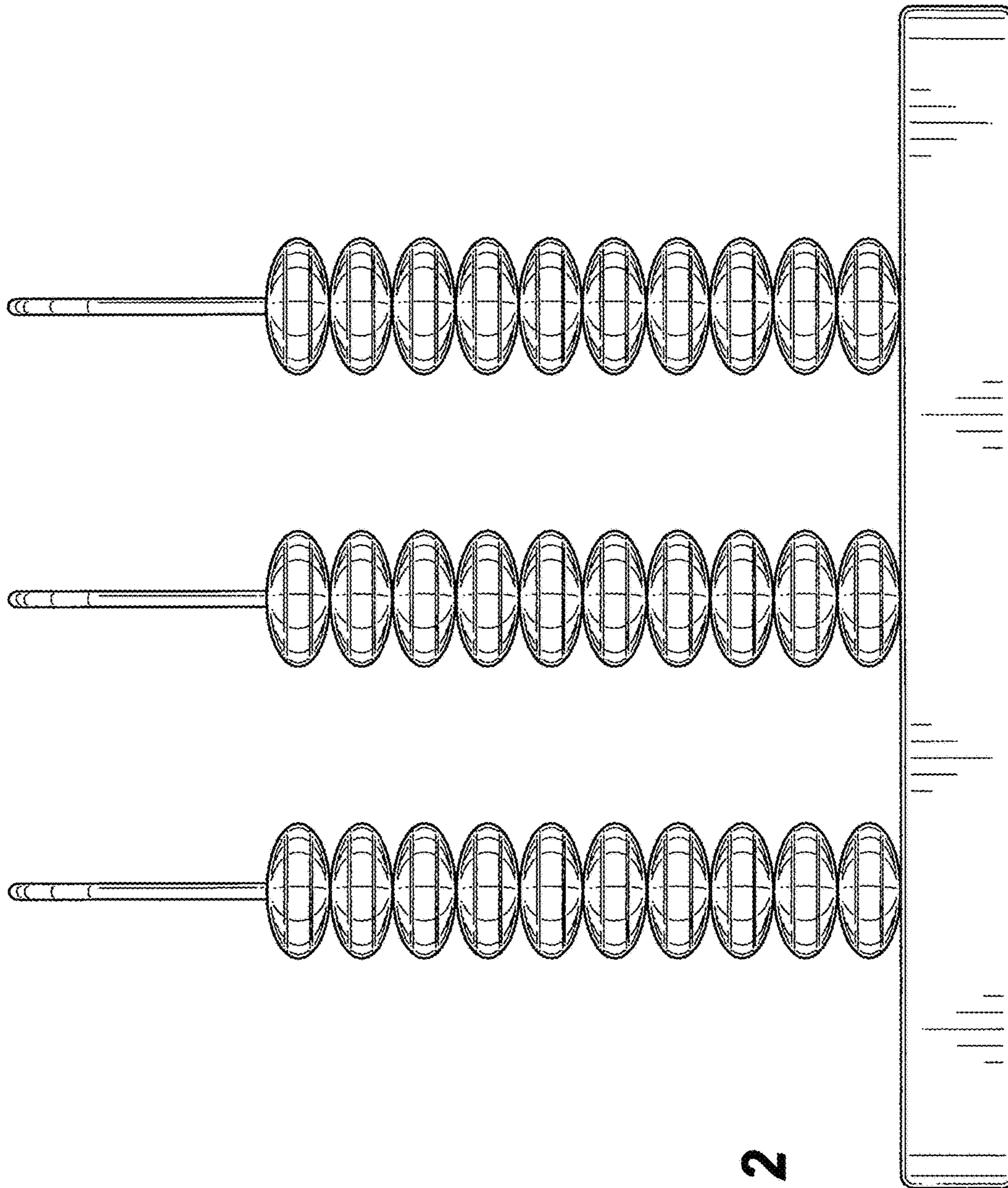


FIG. 2

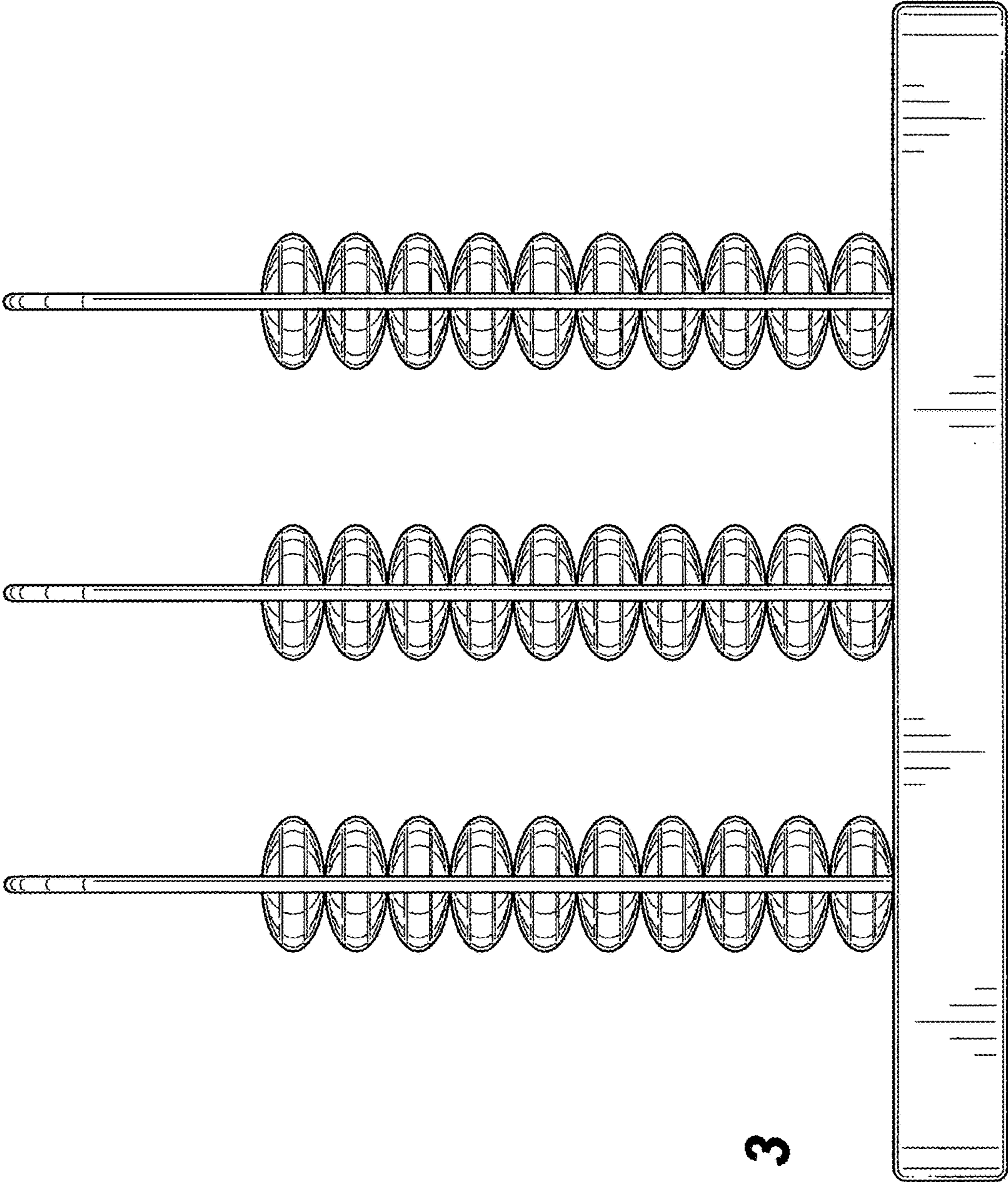


FIG. 3

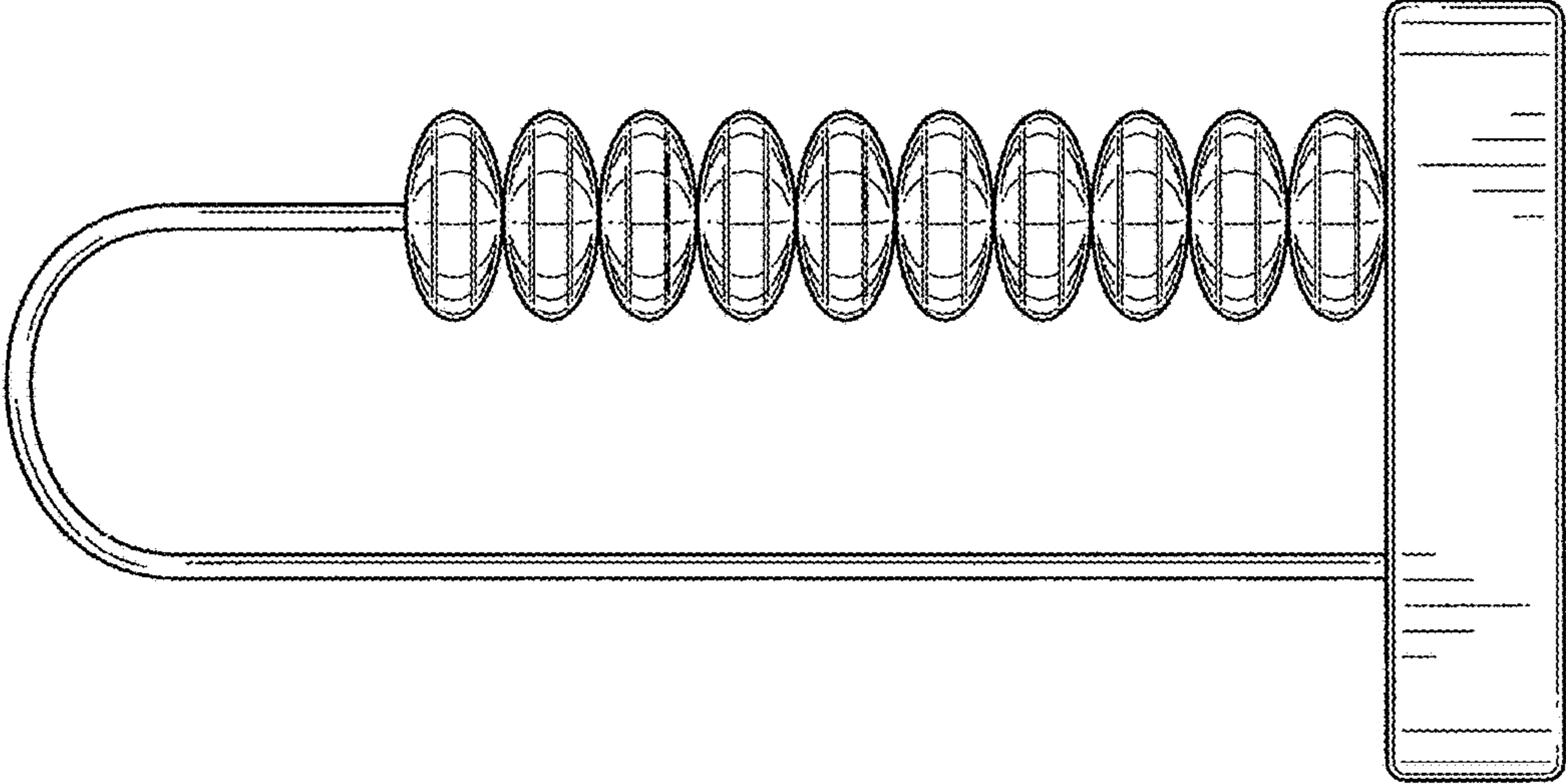


FIG. 4

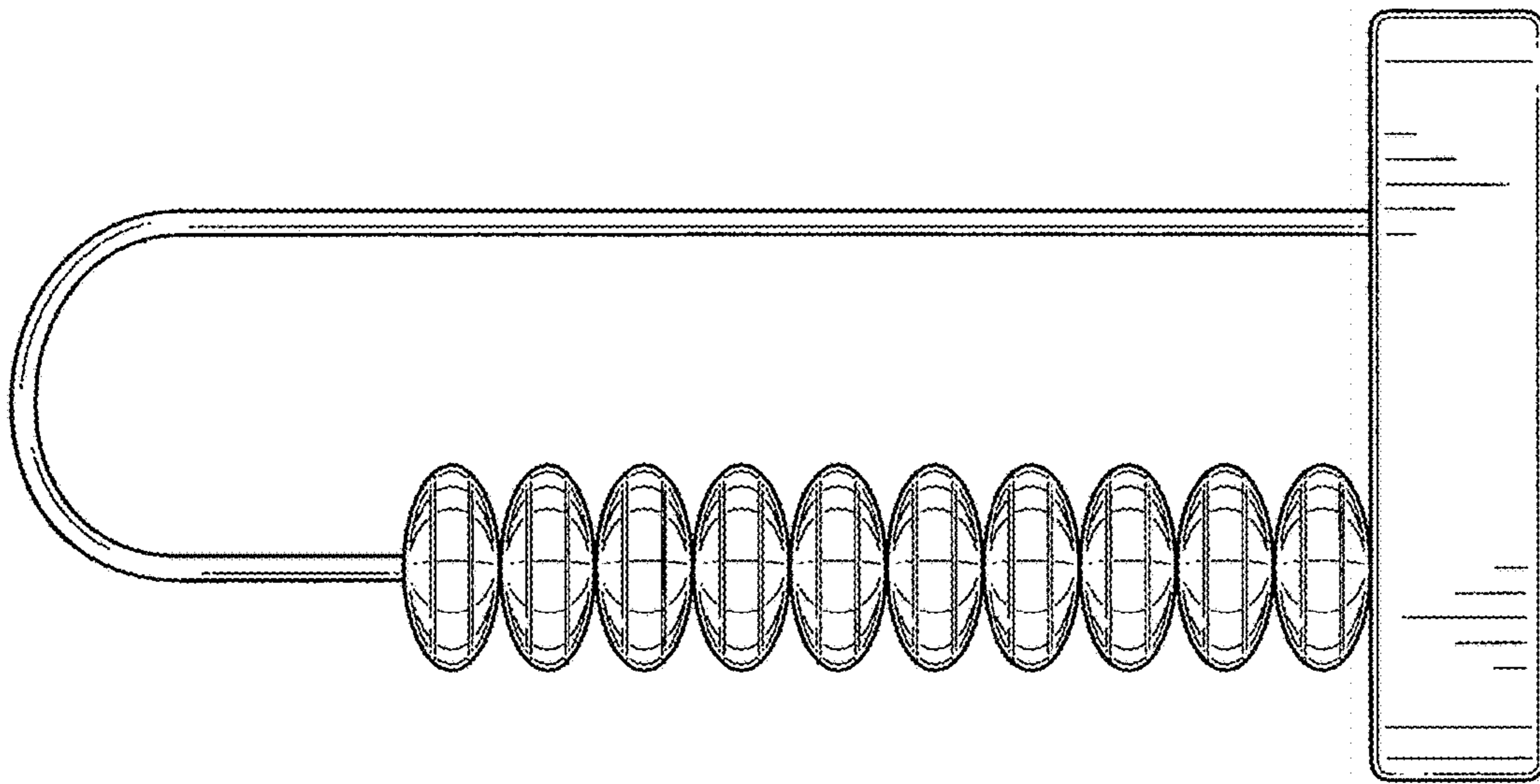


FIG. 5

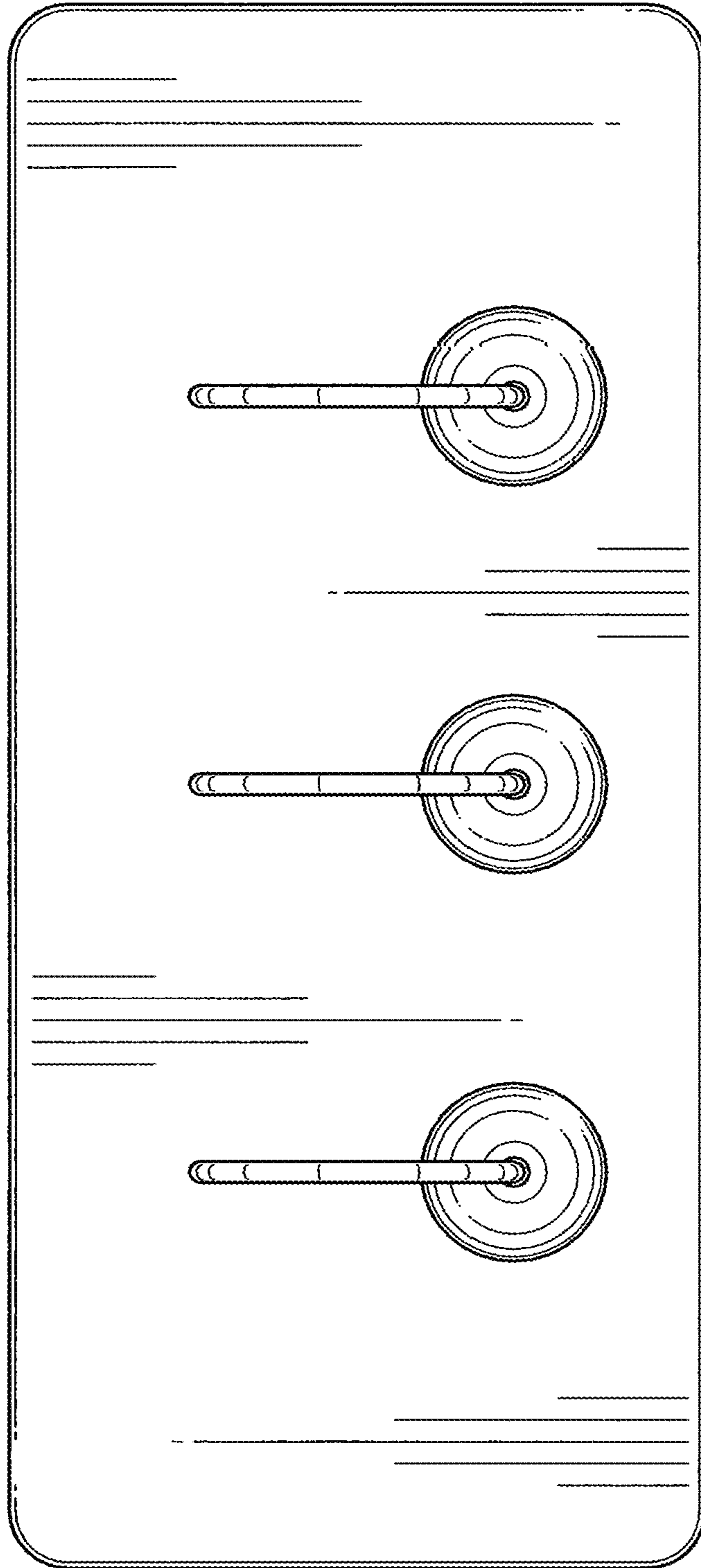


FIG. 6

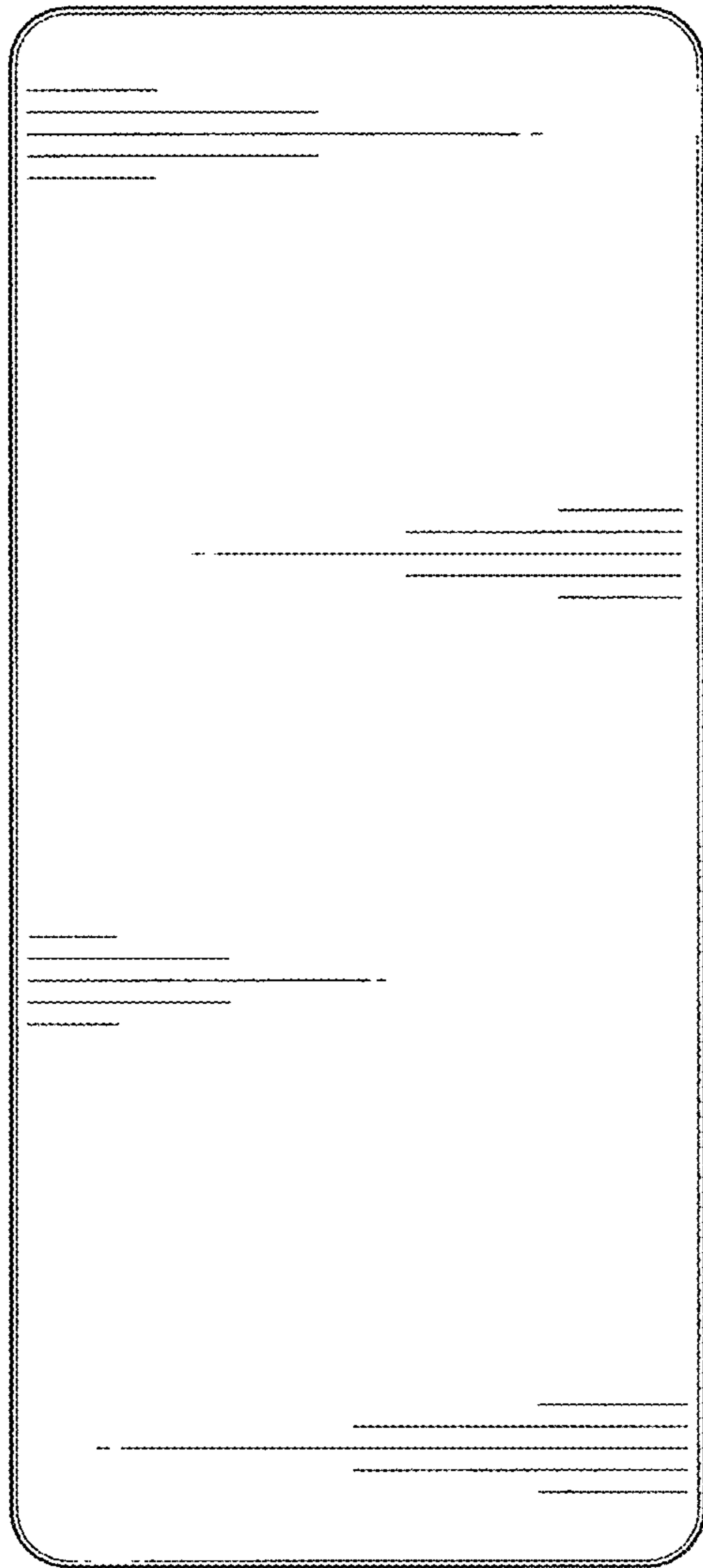


FIG. 7