



US00D812130S

(12) **United States Design Patent** (10) **Patent No.:** **US D812,130 S**
Chen (45) **Date of Patent:** **** Mar. 6, 2018**

(54) **ELECTRONIC DEVICE**
(71) Applicant: **Square, Inc.**, San Francisco, CA (US)
(72) Inventor: **Yenliang Chen**, San Francisco, CA (US)
(73) Assignee: **Square, Inc.**, San Francisco, CA (US)
(**) Term: **15 Years**
(21) Appl. No.: **29/582,655**
(22) Filed: **Oct. 28, 2016**
(51) **LOC (11) Cl.** **18-01**
(52) **U.S. Cl.**
USPC **D18/4.6**; D14/385
(58) **Field of Classification Search**
USPC D18/4.4, 4.5, 4.6, 2, 4.1, 4.3, 12, 12.1,
D18/99; D14/383, 384, 385, 300, 301,
D14/302, 307, 333-340, 371, 375, 376,
D14/496, 129, 130, 388, 389, 218;
D13/162, 168
CPC G06Q 20/00; G06Q 20/08; G06Q 20/20;
G06Q 20/40; G06Q 20/204; G06Q
20/341; G07F 7/0873; G07F 7/088; G07G
1/0009; G07G 1/0018; G07G 1/0036;
G07G 1/14
See application file for complete search history.

D423,470 S * 4/2000 Neifer D14/385
D424,098 S 5/2000 Kim
D496,658 S * 9/2004 Koloski D14/341
(Continued)

OTHER PUBLICATIONS

Examination Report for European Design Applications No. 003877851-0001/003877851-0008, dated May 12, 2017.
(Continued)

Primary Examiner — Susan Bennett Hattan
Assistant Examiner — Marie D. Fast Horse
(74) *Attorney, Agent, or Firm* — Lee & Hayes, PLLC

(57) **CLAIM**

The ornamental design for an electronic device, as shown and described.

DESCRIPTION

This application is related to co-pending applications with Ser. Nos. 29/582,639 and 29/582,668, filed on Oct. 28, 2016, the disclosures of which are incorporated by reference herein.

FIG. 1 is a first perspective view of an electronic device, taken from above.
FIG. 2 is a front view of the electronic device of FIG. 1.
FIG. 3 is a back view of the electronic device of FIG. 1.
FIG. 4 is a top view of the electronic device of FIG. 1.
FIG. 5 is a bottom view of the electronic device of FIG. 1.
FIG. 6 is a right-side view of the electronic device of FIG. 1.

FIG. 7 is a left-side view of the electronic device of FIG. 1; and,
FIG. 8 is a second perspective view of the electronic device of FIG. 1.

The additional broken line subject matter seen in FIG. 8 depicts environmental subject matter only and forms no part of the claim.

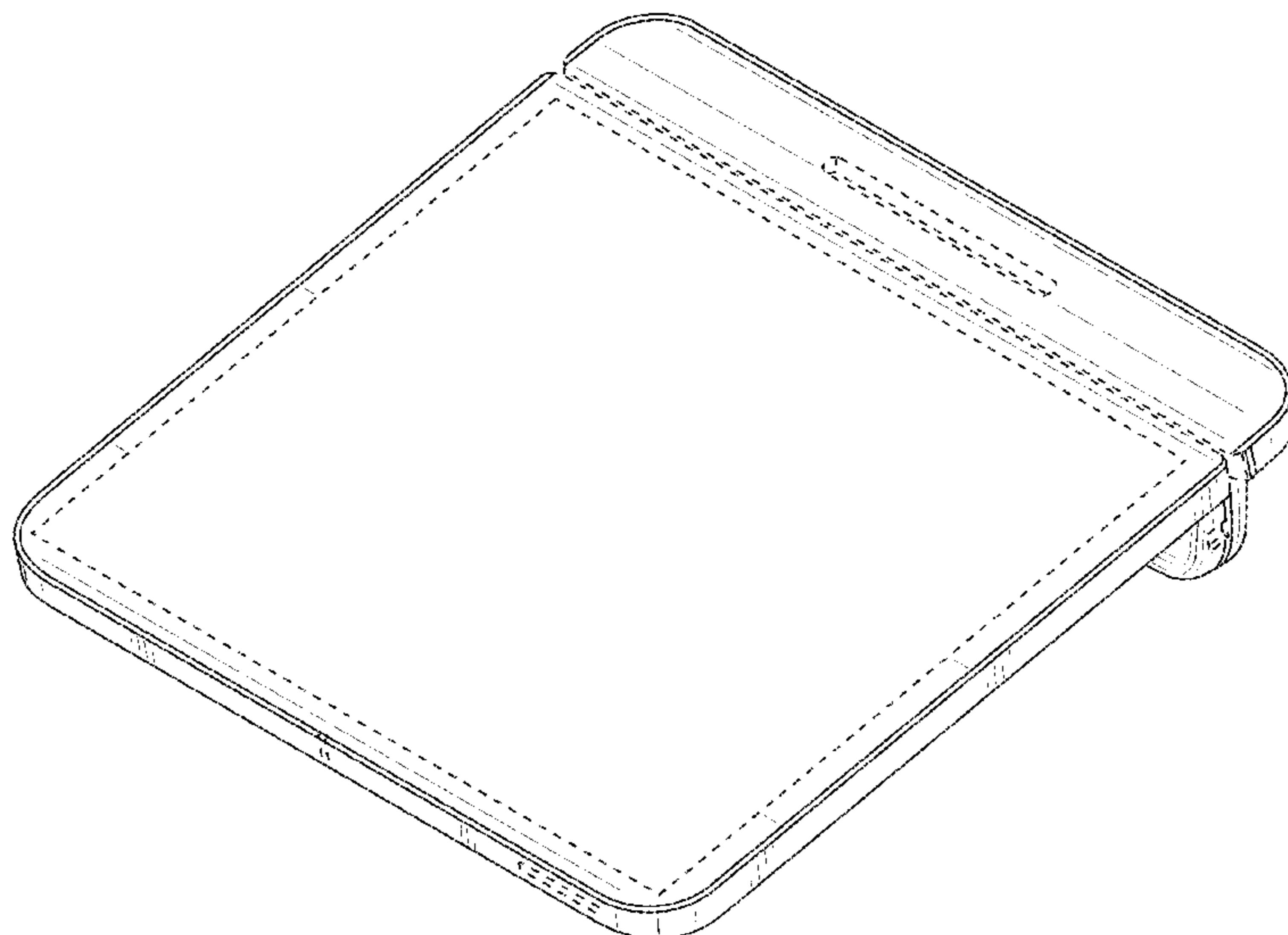
The broken lines represent features of the electronic device that form no part of the claimed design.

1 Claim, 8 Drawing Sheets

(56) **References Cited**

U.S. PATENT DOCUMENTS

D284,084 S * 6/1986 Ferrara, Jr. D14/389
D289,291 S * 4/1987 Kapper D14/389
D321,172 S * 10/1991 Moore, IV D14/389
D326,847 S 6/1992 Savio
D338,876 S * 8/1993 Nair D18/4.6
D340,919 S * 11/1993 Lee D18/4.6
D342,239 S * 12/1993 Hermann D18/4.6
D348,449 S * 7/1994 Rodd D14/374
D390,836 S * 2/1998 Takahashi D14/385



(56)

References Cited

U.S. PATENT DOCUMENTS

- D501,208 S * 1/2005 Ozolins D14/383
D501,853 S * 2/2005 Koloski D14/341
D508,245 S * 8/2005 Ozolins D14/383
D525,282 S 7/2006 Barnes et al.
D526,002 S 8/2006 Nakajima et al.
D535,994 S * 1/2007 Leibenguth D14/385
D536,726 S 2/2007 Ono
D539,797 S 4/2007 Chiang et al.
D542,791 S * 5/2007 Fitch D14/385
D544,903 S * 6/2007 Henry D18/4.6
D547,361 S * 7/2007 Henry D18/4.6
D554,640 S * 11/2007 Ponnert D14/388
7,433,185 B1 10/2008 Curran et al.
D580,383 S 11/2008 Kuramashi
D592,658 S 5/2009 Sugiyama et al.
D594,055 S 6/2009 Hagiwara et al.
D601,585 S * 10/2009 Andre D14/314
D613,283 S * 4/2010 Andre D14/314
D615,120 S 5/2010 Ono
D615,583 S 5/2010 Ono
D624,115 S * 9/2010 Ausems G06Q 20/0453
D18/4.6
D628,576 S * 12/2010 Daniel D14/385
D631,042 S 1/2011 Chen
D638,012 S * 5/2011 Tian D14/341
D648,336 S 11/2011 Yagi
D648,373 S * 11/2011 Hidaka D18/4.4
D657,784 S * 4/2012 Akana D14/314
D657,791 S 4/2012 Kim et al.
D661,305 S 6/2012 Andre et al.
D664,144 S * 7/2012 Akana D14/389
D665,383 S * 8/2012 McManigal D14/218
D672,386 S * 12/2012 Matunuma D18/4.6
D673,952 S * 1/2013 Toda D14/383
D675,617 S * 2/2013 Daniel D14/385
D676,900 S * 2/2013 Ohno D18/12.3
D681,036 S * 4/2013 Taunay da Graca
Couto D14/385
D681,639 S * 5/2013 Cruz D14/385
D682,273 S * 5/2013 Taunay da Graca
Cuoto D14/385
D682,830 S * 5/2013 Taunay da Graca
Couto D14/385
D684,574 S * 6/2013 Taunay da Graca
Couto D14/385
D684,944 S 6/2013 Seong
D687,036 S 7/2013 Seong et al.
D687,484 S 8/2013 Eun
D687,832 S 8/2013 Edwards et al.
D689,921 S * 9/2013 Branck D18/4.6
D691,141 S * 10/2013 Cruz D14/307
D691,604 S 10/2013 Seong et al.
D691,998 S 10/2013 Seo et al.
D692,885 S * 11/2013 Cruz D14/307
D693,607 S 11/2013 Johnson et al.
D698,384 S * 1/2014 Cruz D18/4.4
D703,631 S 4/2014 Haller et al.
D703,670 S * 4/2014 Rotsaert D14/307
D706,266 S * 6/2014 Rotsaert D14/385
D706,863 S * 6/2014 Branck D18/4.6
D706,864 S 6/2014 Branck et al.
D707,288 S 6/2014 Branck et al.
D707,676 S * 6/2014 Azuma D14/307
D707,677 S * 6/2014 Azuma D14/307
D707,685 S 6/2014 Johnson et al.
D709,069 S * 7/2014 Cruz D14/385
D710,358 S * 8/2014 Park D14/385
D711,460 S * 8/2014 Schwarzkopf D18/4.6
D713,447 S 9/2014 Balar et al.
D716,300 S * 10/2014 Cruz D14/385
D716,301 S * 10/2014 Almond D14/389
D716,370 S * 10/2014 Park D18/4.4
D720,000 S 12/2014 Lyons et al.
D722,985 S * 2/2015 Won D14/125
D723,031 S * 2/2015 Rawal D14/385
D724,040 S 3/2015 Chan
D725,057 S 3/2015 Seo et al.
D725,109 S * 3/2015 Azuma D14/385
D725,182 S 3/2015 Haller et al.
D725,699 S 3/2015 Eun
D727,898 S 4/2015 Yum et al.
D727,902 S * 4/2015 Saulnier, III D14/385
D729,244 S * 5/2015 Toh D14/385
D729,801 S * 5/2015 Daniel D14/307
RE45,547 E 6/2015 Andre et al.
D732,029 S 6/2015 Huh et al.
9,092,766 B1 * 7/2015 Bedier G06Q 20/204
D735,802 S * 8/2015 Lyons D18/4.5
D735,805 S 8/2015 Haller
D740,285 S * 10/2015 Templeton D14/385
D740,286 S * 10/2015 Templeton D14/385
D740,819 S * 10/2015 Weber D14/385
D740,820 S * 10/2015 Templeton D14/385
D743,394 S 11/2015 Chang et al.
RE45,816 E 12/2015 Andre et al.
D744,479 S 12/2015 Haller et al.
D746,902 S 1/2016 Lyons et al.
D747,763 S 1/2016 Haller
D748,630 S * 2/2016 Helwig D14/389
D752,587 S 3/2016 Gong
9,323,961 B2 * 4/2016 Azuma G06F 1/1626
D755,783 S 5/2016 Shi et al.
D761,260 S * 7/2016 Luo D14/383
D761,350 S 7/2016 Beatty et al.
D761,899 S 7/2016 Beatty et al.
D762,258 S 7/2016 Jenkins
D762,766 S * 8/2016 Bedier D18/4.4
D763,255 S 8/2016 Lee
D763,346 S 8/2016 Jenkins
D764,419 S * 8/2016 Kashimoto D13/168
D764,458 S * 8/2016 Jobetto D14/341
D766,901 S * 9/2016 Nguyen D14/385
D767,508 S * 9/2016 Dimberg D13/168
D770,449 S * 11/2016 Bae D14/341
D770,450 S * 11/2016 Bae D14/341
D771,628 S * 11/2016 Bae D14/341
D772,335 S 11/2016 Mantrawadi et al.
D772,864 S * 11/2016 Musch D14/341
D773,455 S * 12/2016 Lee D14/341
D774,510 S * 12/2016 Rotsaert D14/385
D777,683 S * 1/2017 Kashimoto D13/168
D778,982 S 2/2017 Beatty et al.
D779,459 S * 2/2017 Schlossberg D14/218
D784,331 S 4/2017 Balch et al.
D787,510 S * 5/2017 Kitade D14/341
9,659,466 B1 5/2017 Chen et al.
D790,536 S * 6/2017 Kitade D14/341
9,678,846 B2 6/2017 Lam et al.
D791,860 S 7/2017 Greaves et al.
D794,580 S * 8/2017 Dimberg D13/168
D795,869 S * 8/2017 Templeton D14/385
D797,106 S * 9/2017 Paolizzi D14/426
D797,739 S * 9/2017 Templeton D14/385
D797,740 S * 9/2017 Nguyen D14/385
D798,378 S * 9/2017 Kim D18/4.6
2006/0198097 A1 9/2006 Kuwajima et al.
2008/0291615 A1 11/2008 Sakata et al.
2009/0316343 A1 * 12/2009 Tang F16M 13/00
361/679.01
2010/0043503 A1 * 2/2010 Yao F16M 11/16
70/58
2012/0145787 A1 6/2012 Lin
2013/0320177 A1 12/2013 Chen et al.
2014/0144988 A1 5/2014 Chiang
2014/0236744 A1 8/2014 Drew et al.
2014/0279116 A1 9/2014 Vasquez et al.
2014/0347000 A1 * 11/2014 Hamann G06F 1/189
320/103
2015/0001291 A1 1/2015 Govindarajan et al.
2015/0149311 A1 * 5/2015 Ward G07G 1/0018
705/24
2015/0193754 A1 7/2015 Lam et al.
2015/0213416 A1 7/2015 Lam et al.

(56)

References Cited

U.S. PATENT DOCUMENTS

2015/0213424 A1 7/2015 Lam et al.
2016/0005274 A1 1/2016 Wang et al.
2016/0051067 A1 2/2016 Law et al.
2016/0070964 A1 3/2016 Conrad
2016/0232508 A1 8/2016 Nishiie et al.
2016/0335037 A1* 11/2016 Baranowski B41J 3/36
2017/0061746 A1* 3/2017 Tanaka G07G 1/0018
2017/0140615 A1 5/2017 Larnac et al.
2017/0278361 A1* 9/2017 Fujimoto G07G 1/0045

OTHER PUBLICATIONS

“Sales Terminals,” (Design—©Questel). orbit.com, dated Feb. 27, 1995 through Feb. 22, 2017, Retrieved from the Internet URL: <https://sobjprd.questel.fr/export/QPTUJ214/pdf2/c5db0b62-727b-4859-90a4-31e876dab4e0-144030.pdf>, on Oct. 12, 2017, pp. 1-32.
Notice of Allowance dated Oct. 31, 2017, for U.S. Appl. No. 29/582,639, of Chen, Y., filed Oct. 28, 2016.
Notice of Allowance dated Oct. 31, 2017, for U.S. Appl. No. 29/582,668, of Chen, Y., filed Oct. 28, 2016.
First Examiner’s Report for Canadian Patent Application No. 174469, dated Nov. 1, 2017.
First Examiner’s Report for Canadian Patent Application No. 174468, dated Nov. 1, 2017.
First Examiner’s Report for Canadian Patent Application No. 174467, dated Nov. 1, 2017.

* cited by examiner

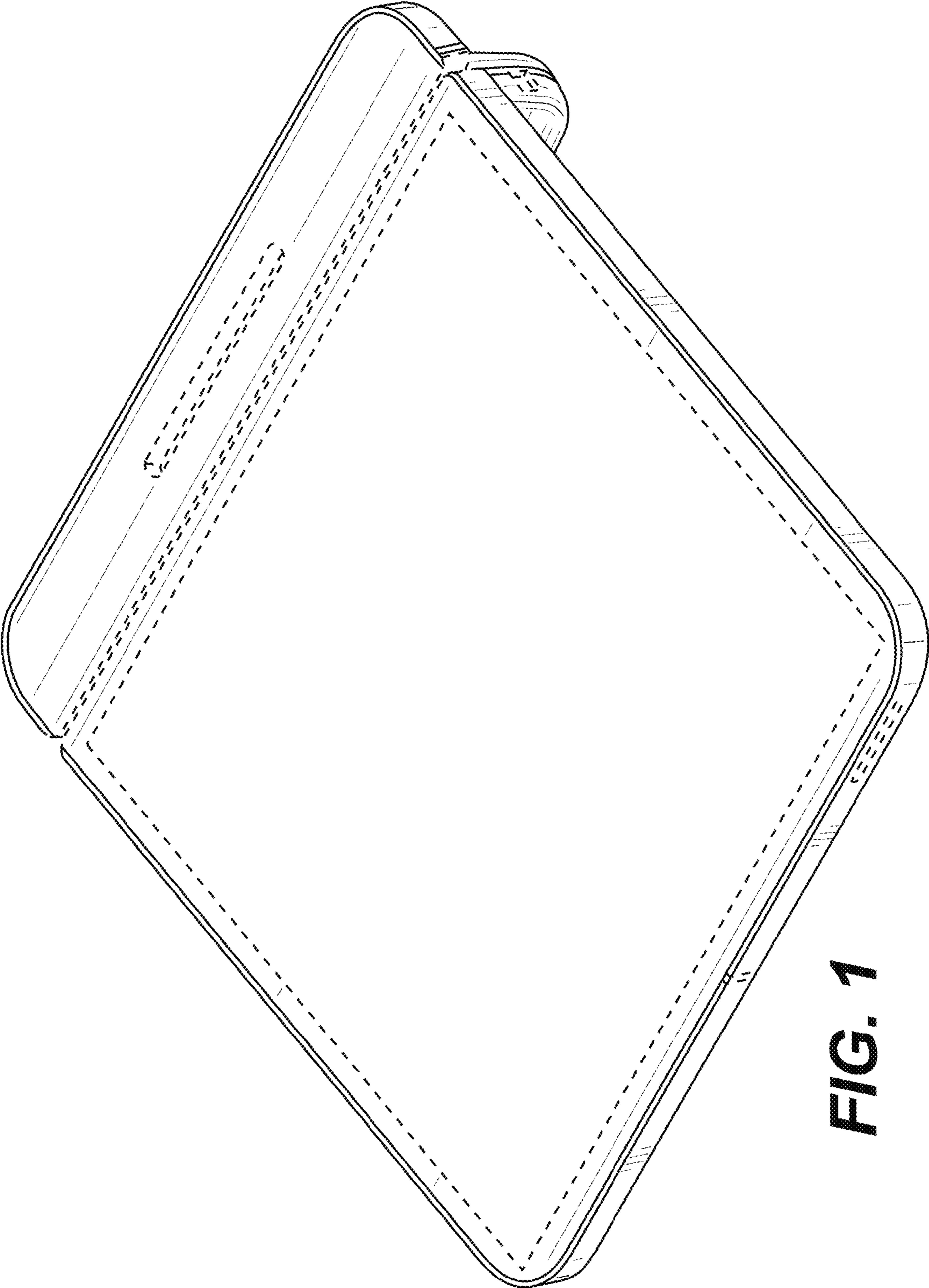


FIG. 1

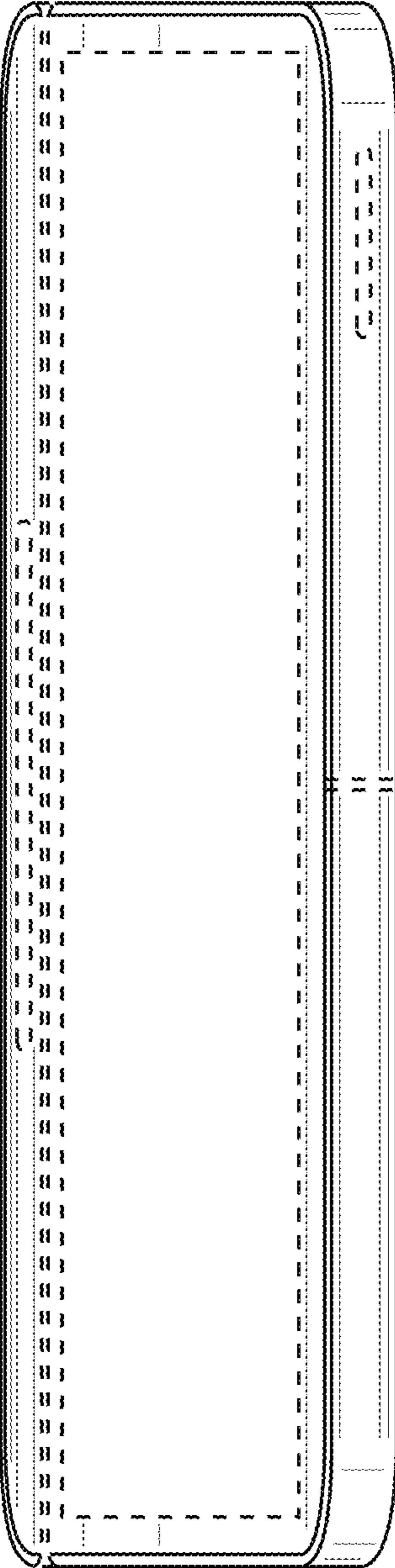


FIG. 2

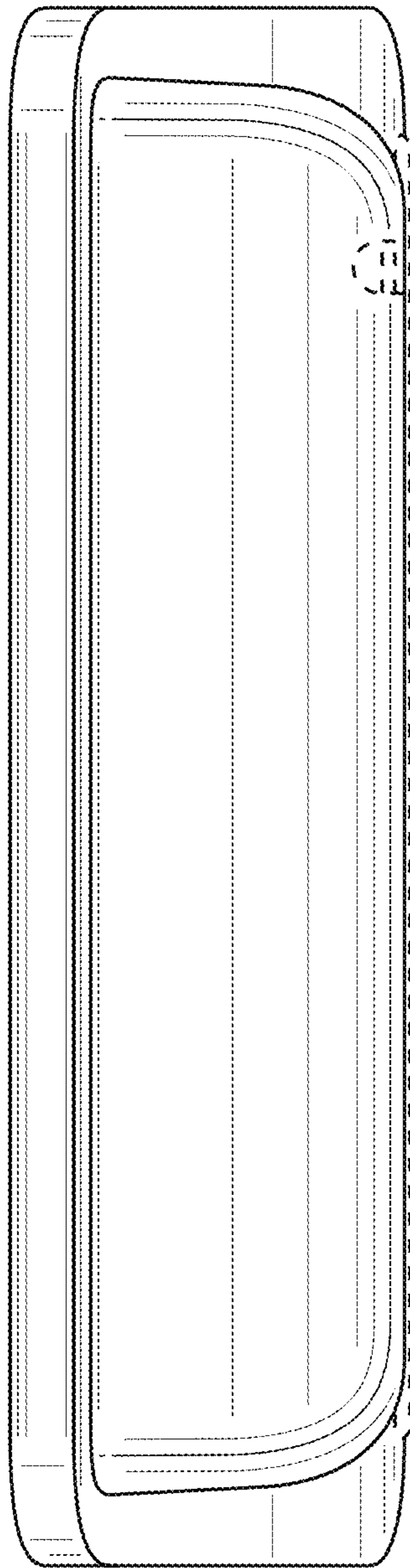


FIG. 3

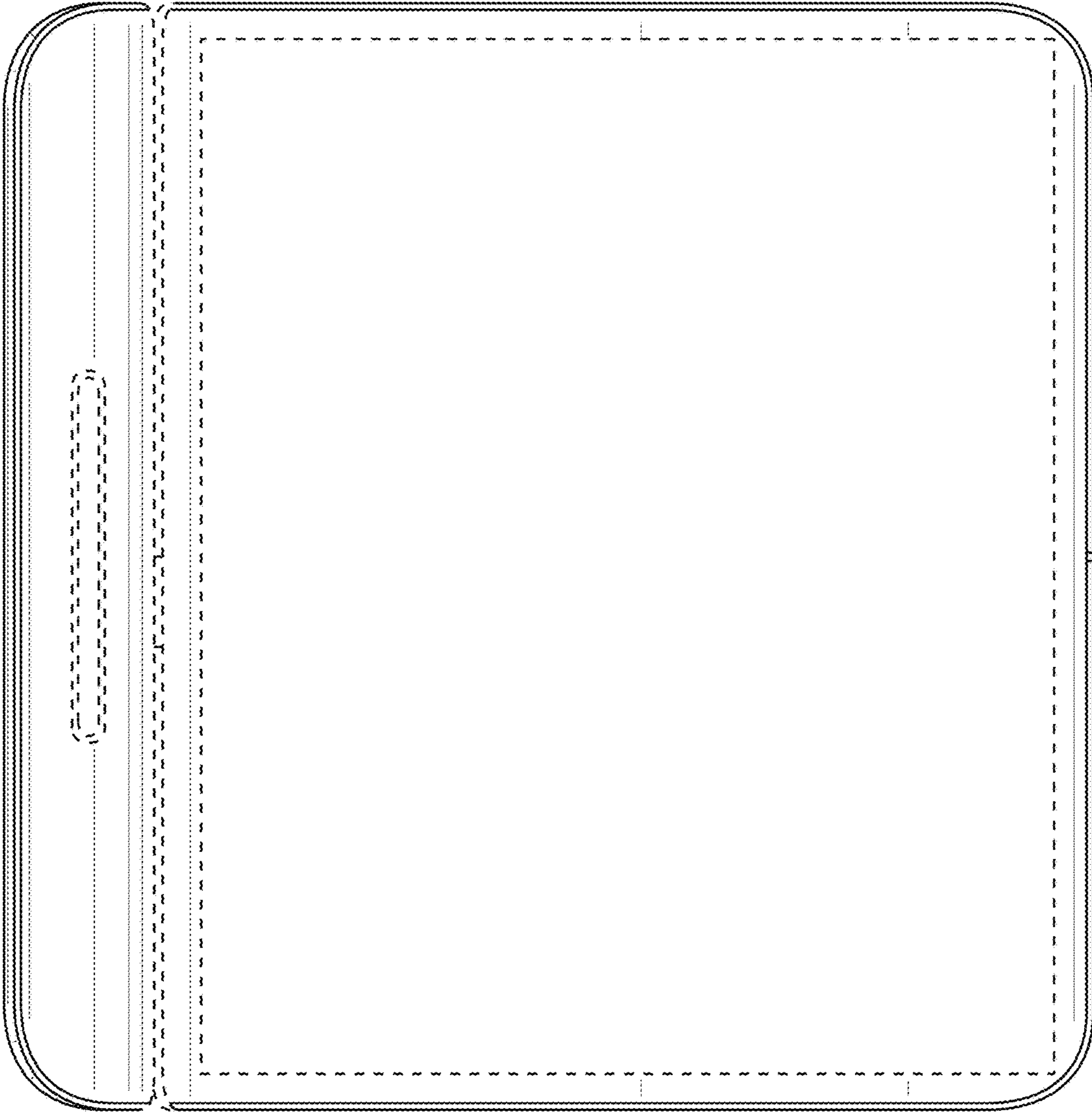


FIG. 4

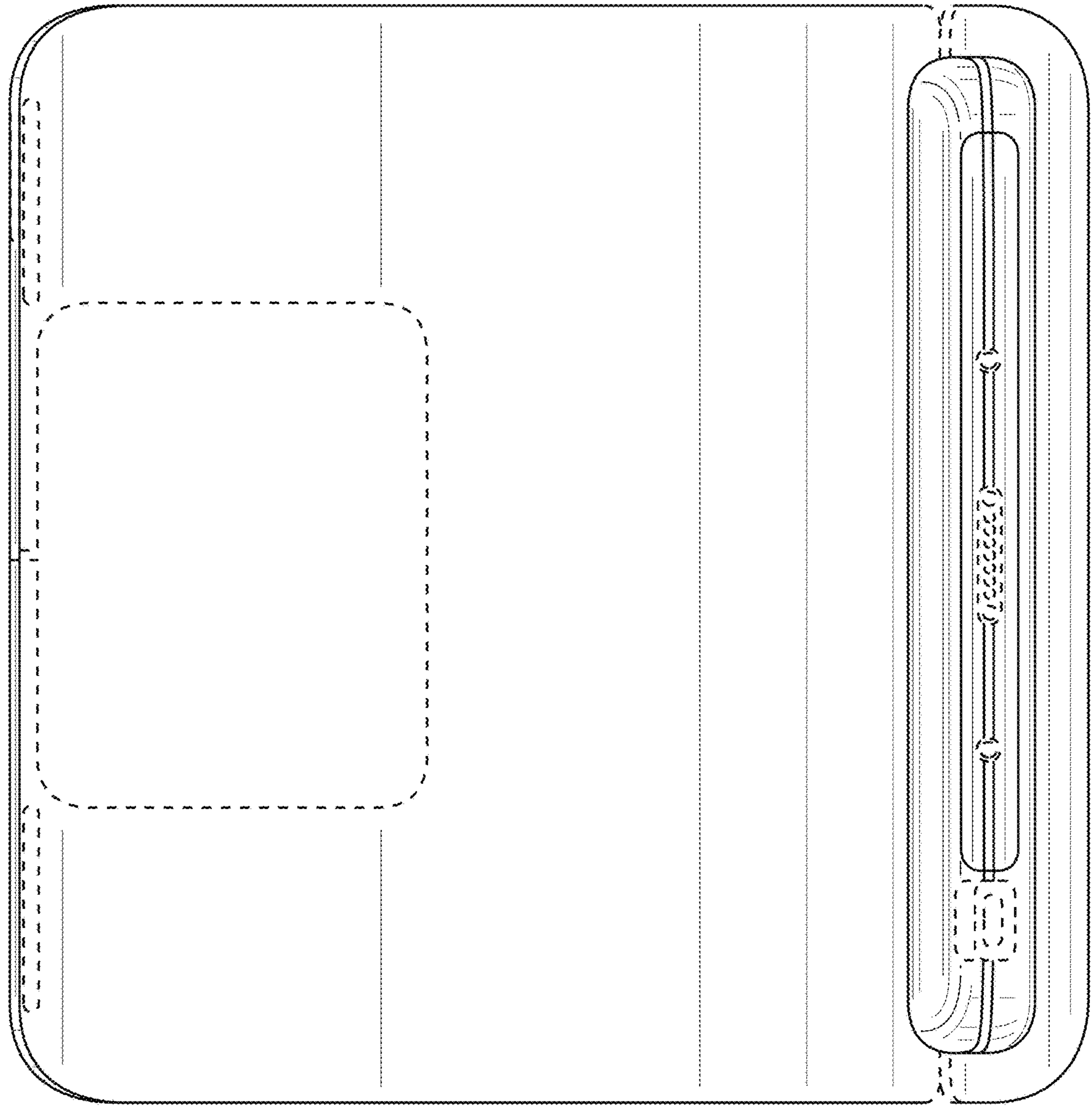


FIG. 5

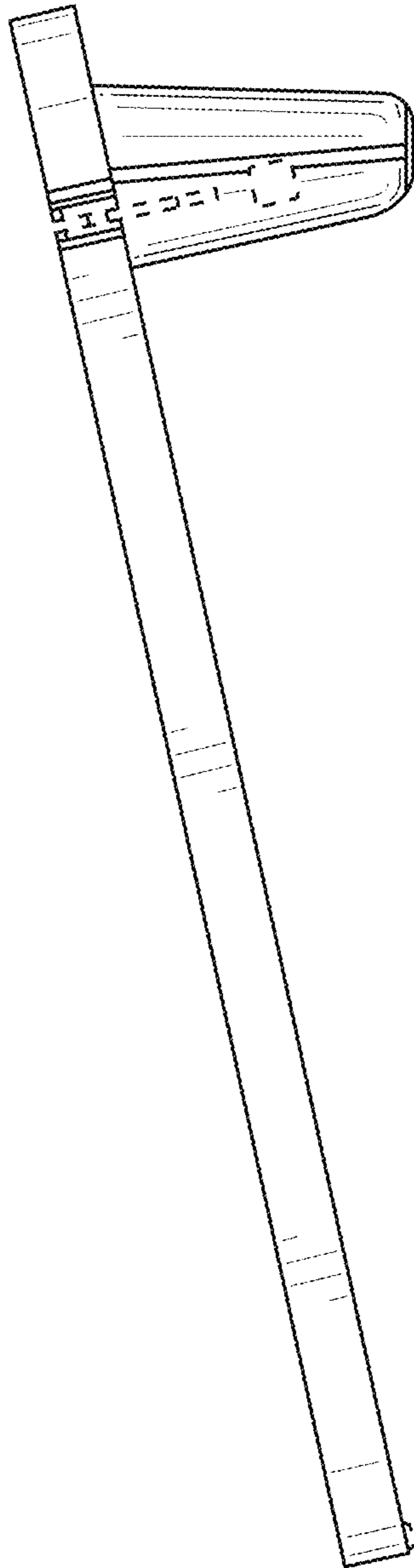


FIG. 6

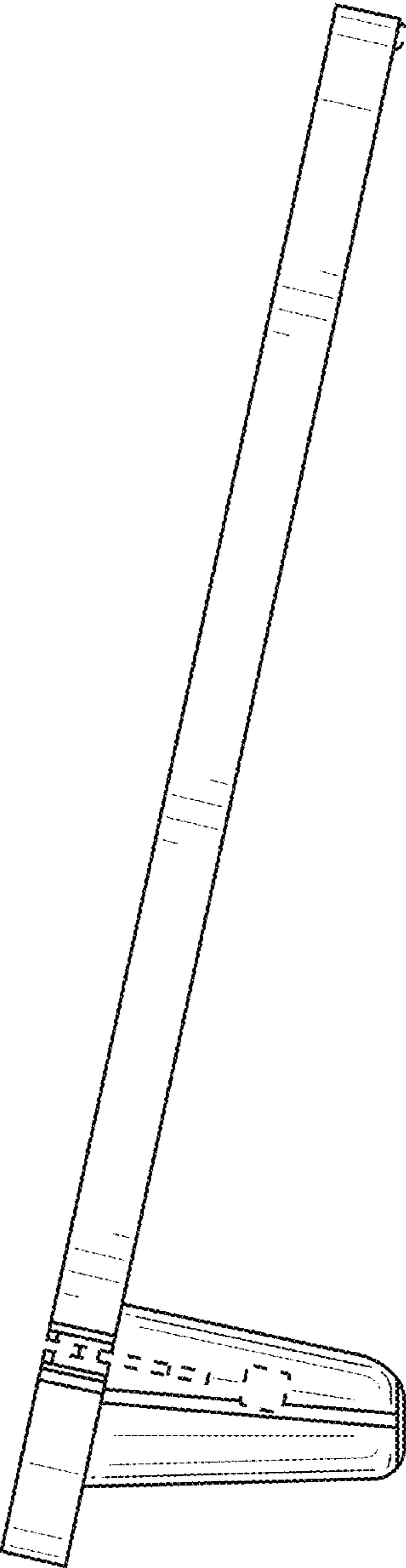


FIG. 7

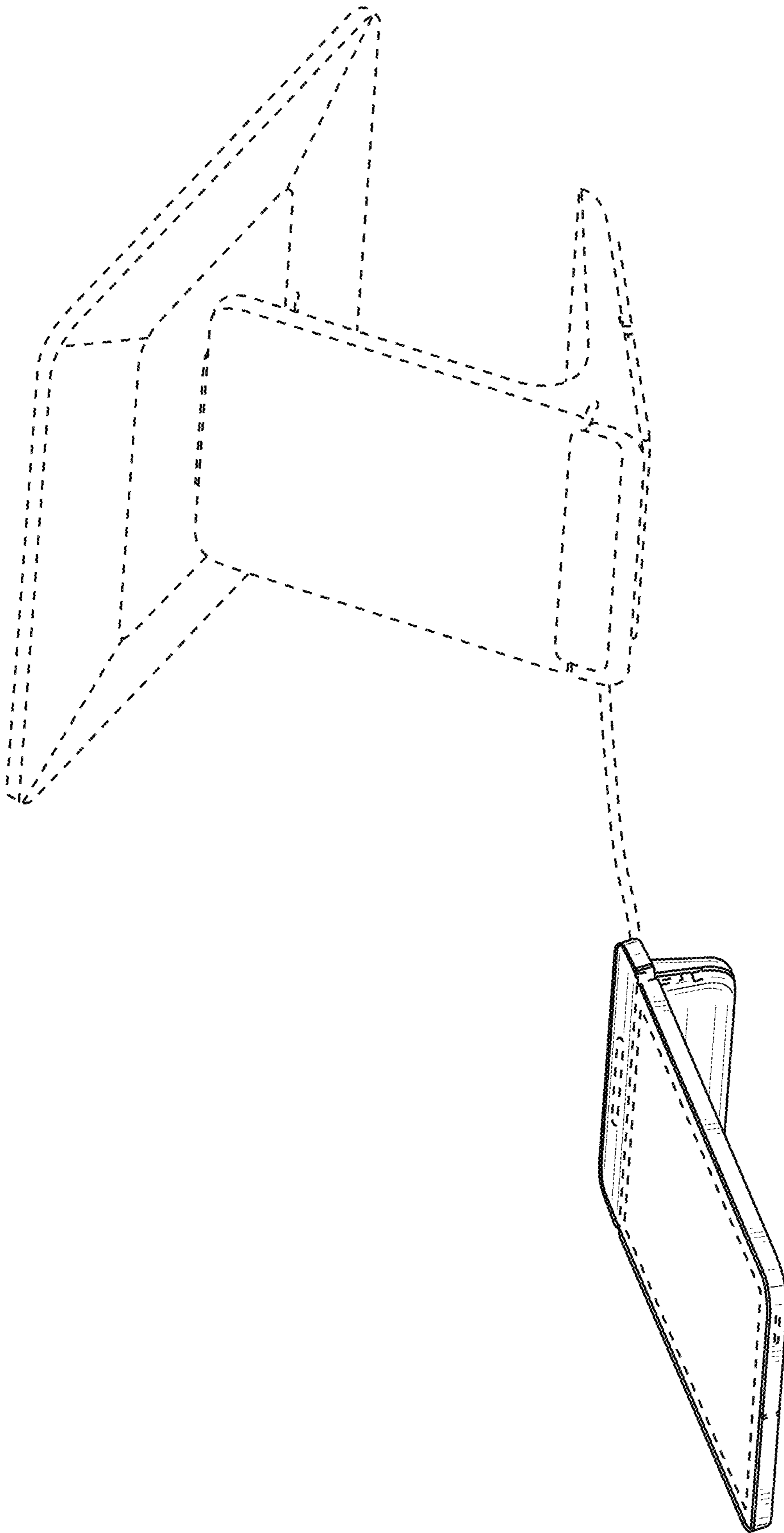


FIG. 8