



US00D812128S

(12) **United States Design Patent**
Levi

(10) **Patent No.:** **US D812,128 S**
(45) **Date of Patent:** **** Mar. 6, 2018**

(54) **LIGHTING SPECTACLES**

(71) Applicant: **Sagi Levi**, Rishon Lezion (IL)

(72) Inventor: **Sagi Levi**, Rishon Lezion (IL)

(**) Term: **15 Years**

(21) Appl. No.: **29/569,452**

(22) Filed: **Jun. 28, 2016**

(51) **LOC (11) Cl.** **16-06**

(52) **U.S. Cl.**
USPC **D16/330**

(58) **Field of Classification Search**
USPC D16/101, 300-342, 900; D29/109-110;
D14/372; 351/41, 44, 45-48, 51-52, 62,
351/158, 92, 103-123, 140-153, 63, 59;
2/13, 15, 426-432, 447-449, 441,
2/434-437
CPC G02C 2200/08; G02C 1/06; G02C 5/14;
G02C 11/02; G02C 11/04; G02C 5/16;
G02C 2200/22; G02C 5/146; G02C
5/2254; G02C 5/008; G01C 5/16; A61M
2021/0044; A63B 33/002

See application file for complete search history.

(56) **References Cited**

U.S. PATENT DOCUMENTS

D259,295 S * 5/1981 Briggs D16/313
D280,994 S * 10/1985 Abate D16/314
4,810,080 A * 3/1989 Grendol A61F 9/02
351/138
4,896,380 A * 1/1990 Kamitani A61F 9/029
128/864
D313,236 S * 12/1990 Mackay D16/314
4,976,530 A * 12/1990 Mackay G02C 7/10
2/13
D319,449 S * 8/1991 Millar D16/312
D327,284 S * 6/1992 Simioni D16/314
D337,596 S * 7/1993 Canavan D16/101

D366,493 S * 1/1996 Magdelaine D16/314
5,489,953 A * 2/1996 Griffith A63B 69/3608
351/158
D369,822 S * 5/1996 Simioni D16/313
5,539,561 A * 7/1996 Khalifa G02C 1/02
351/116
D390,863 S * 2/1998 Bennell D16/312
5,867,841 A * 2/1999 Chiang A61F 9/02
2/436
5,940,892 A * 8/1999 Morgan A61F 9/027
2/428
D478,111 S * 8/2003 Huh D16/312
D596,220 S * 7/2009 Decent D16/301
D639,332 S * 6/2011 Basler D16/300
D640,724 S * 6/2011 Goodman D16/312
D645,211 S * 9/2011 Hill D29/110
D653,686 S * 2/2012 Tobia D16/101
D653,695 S * 2/2012 Tobia D16/312
D656,176 S * 3/2012 Coty D16/309
D675,786 S * 2/2013 Klotz D29/110

(Continued)

Primary Examiner — Eric L Goodman
Assistant Examiner — Sanjeev Paul
(74) *Attorney, Agent, or Firm* — Alphapatent Associates,
Ltd; Daniel J. Swirsky

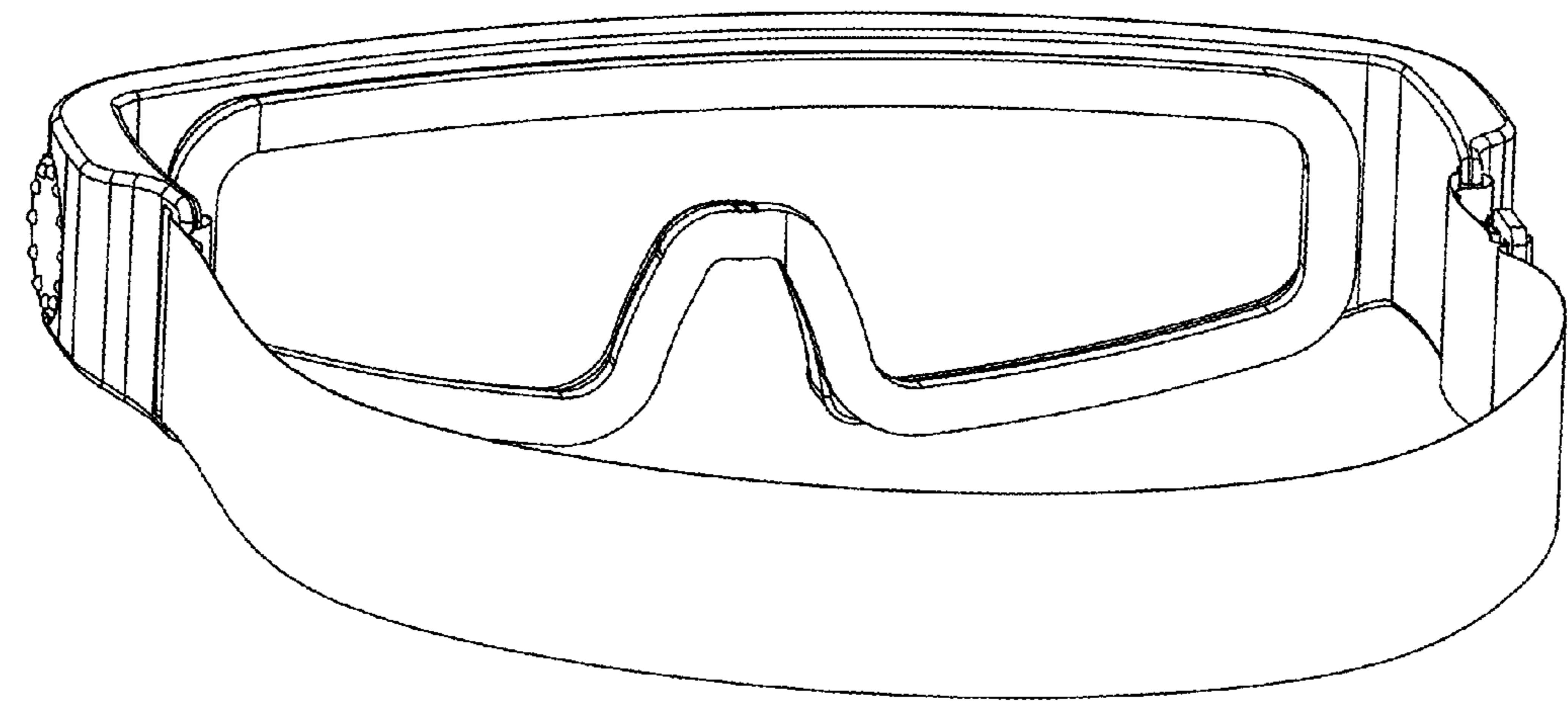
(57) **CLAIM**

The ornamental design for lighting spectacles, as shown and described.

DESCRIPTION

FIG. 1 is a rear view of lighting spectacles showing our new design;
FIG. 2 is a bottom view thereof;
FIG. 3 is a front view thereof;
FIG. 4 is a left view thereof;
FIG. 5 is a perspective rear view thereof;
FIG. 6 is a perspective front view thereof;
FIG. 7 is a right view thereof; and,
FIG. 8 is a top view thereof.

1 Claim, 8 Drawing Sheets



(56)

References Cited

U.S. PATENT DOCUMENTS

D680,575 S * 4/2013 Takami D16/309
 D686,778 S * 7/2013 Isobe D29/110
 D698,854 S * 2/2014 McNeal D16/312
 D700,929 S * 3/2014 McNeal D16/312
 D705,994 S * 5/2014 Ryan D29/110
 D768,748 S * 10/2016 Yoo D16/101
 D792,498 S * 7/2017 Ohta D16/330
 D792,920 S * 7/2017 Ohta D16/330
 2003/0193644 A1* 10/2003 Schwebel A42B 1/247
 351/62
 2005/0052613 A1* 3/2005 Kidouchim G02C 9/00
 351/47
 2005/0060781 A1* 3/2005 Landers G02C 7/16
 2/15
 2006/0119790 A1* 6/2006 Tsai G02C 1/04
 351/110
 2008/0196149 A1* 8/2008 Takeshi A61F 9/027
 2/425
 2008/0316421 A1* 12/2008 Wang A61F 9/025
 351/62
 2009/0100577 A1* 4/2009 Kobayashi A61F 9/02
 2/436

2009/0119823 A1* 5/2009 Lee B63C 11/12
 2/426
 2012/0137398 A1* 6/2012 Arnold A61F 9/025
 2/10
 2013/0047324 A1* 2/2013 Park A61F 9/029
 2/434
 2013/0097768 A1* 4/2013 Lee A61F 9/028
 2/436
 2015/0293378 A1* 10/2015 Chou G02C 7/16
 351/46
 2015/0297410 A1* 10/2015 Park G02C 11/08
 2/436
 2015/0297952 A1* 10/2015 Lo B29D 99/0071
 2/431
 2015/0374550 A1* 12/2015 Saylor A61F 9/028
 2/436
 2016/0062138 A1* 3/2016 Coty G02C 5/001
 351/159.75
 2016/0103339 A1* 4/2016 White G02C 11/10
 351/123
 2016/0143785 A1* 5/2016 Laperriere A61F 9/025
 2/431
 2016/0158064 A1* 6/2016 Favre-Felix A61F 9/026
 2/431

* cited by examiner

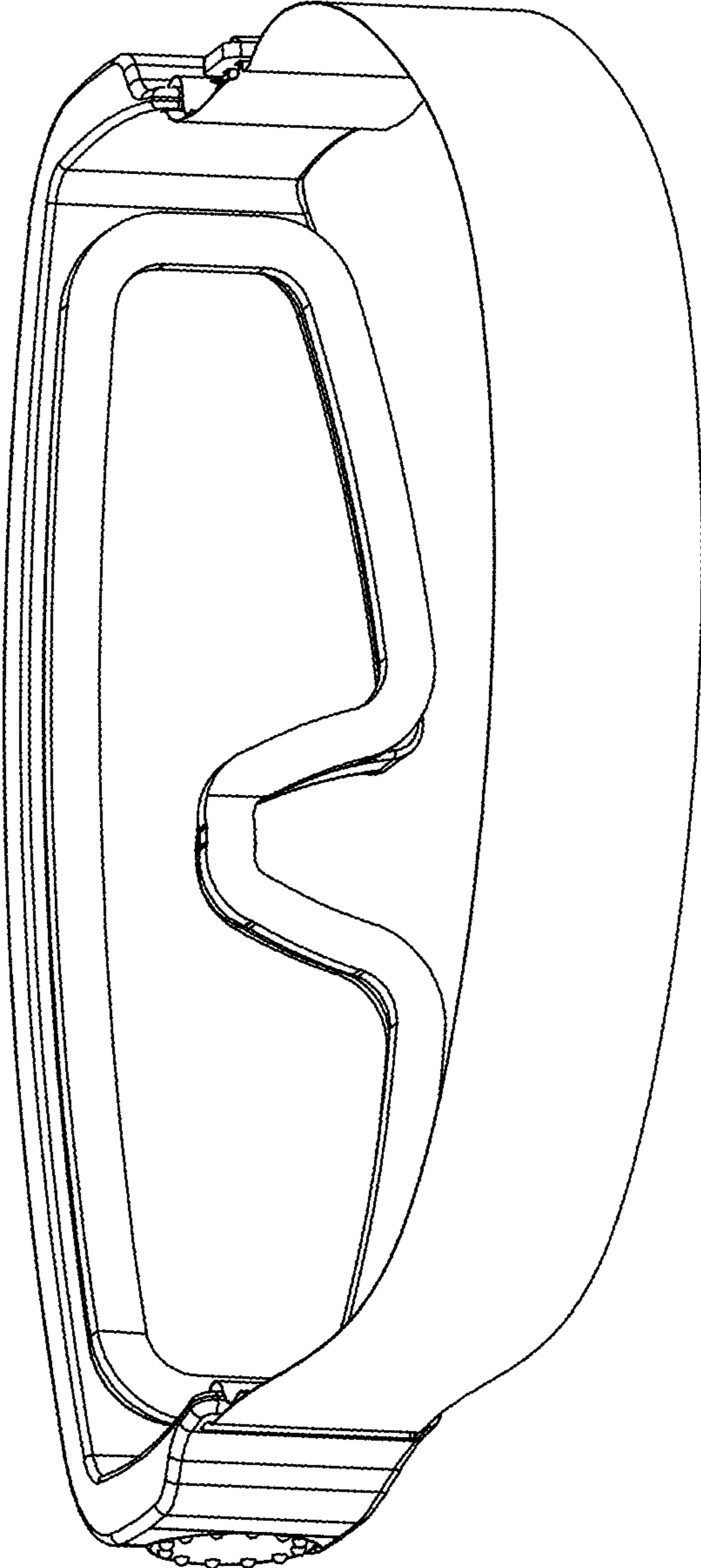


FIG 1

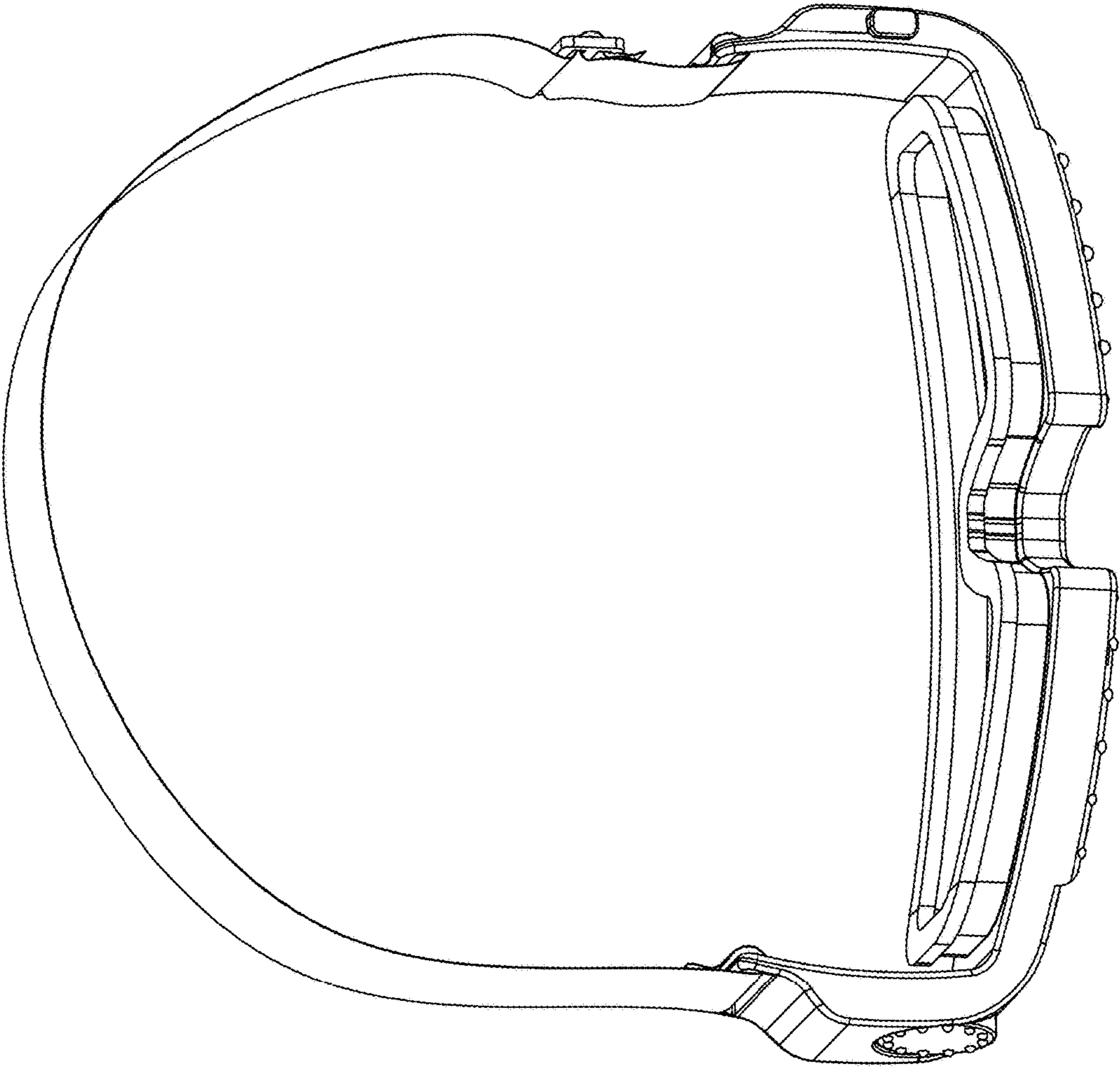


FIG 2

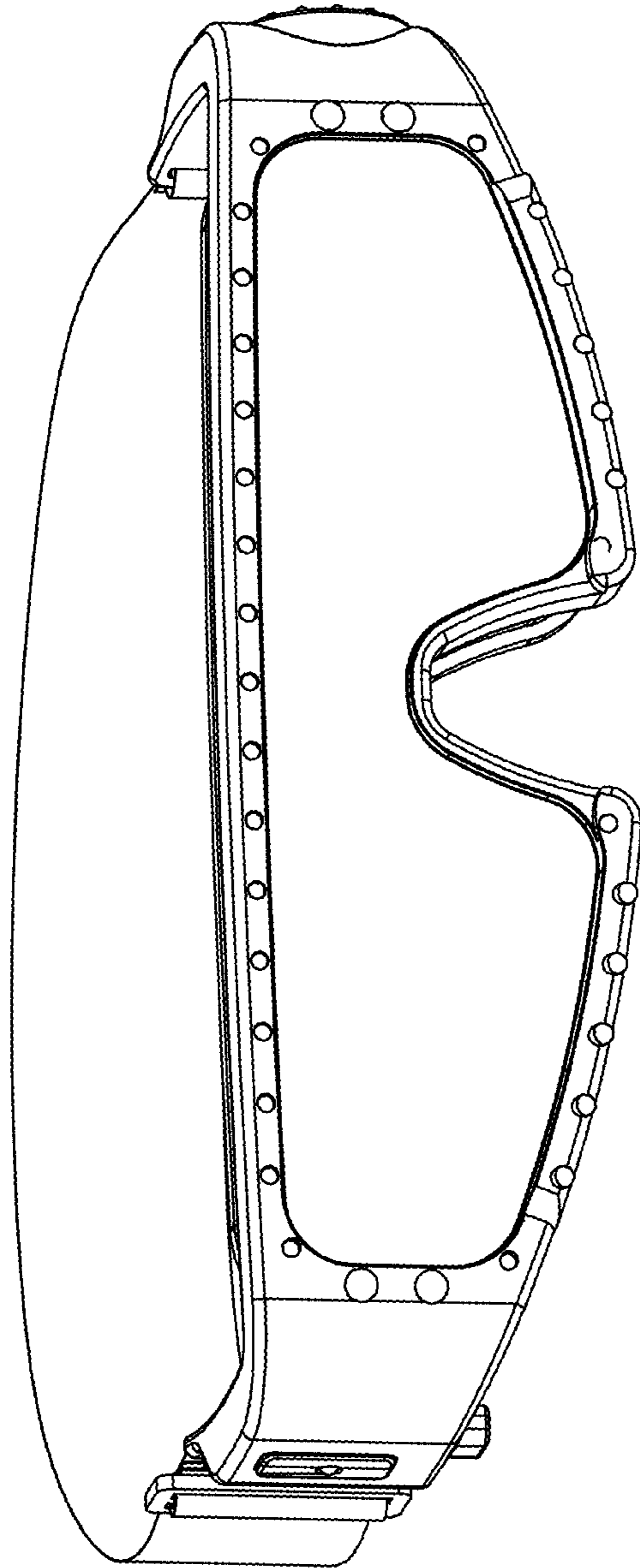


FIG 3

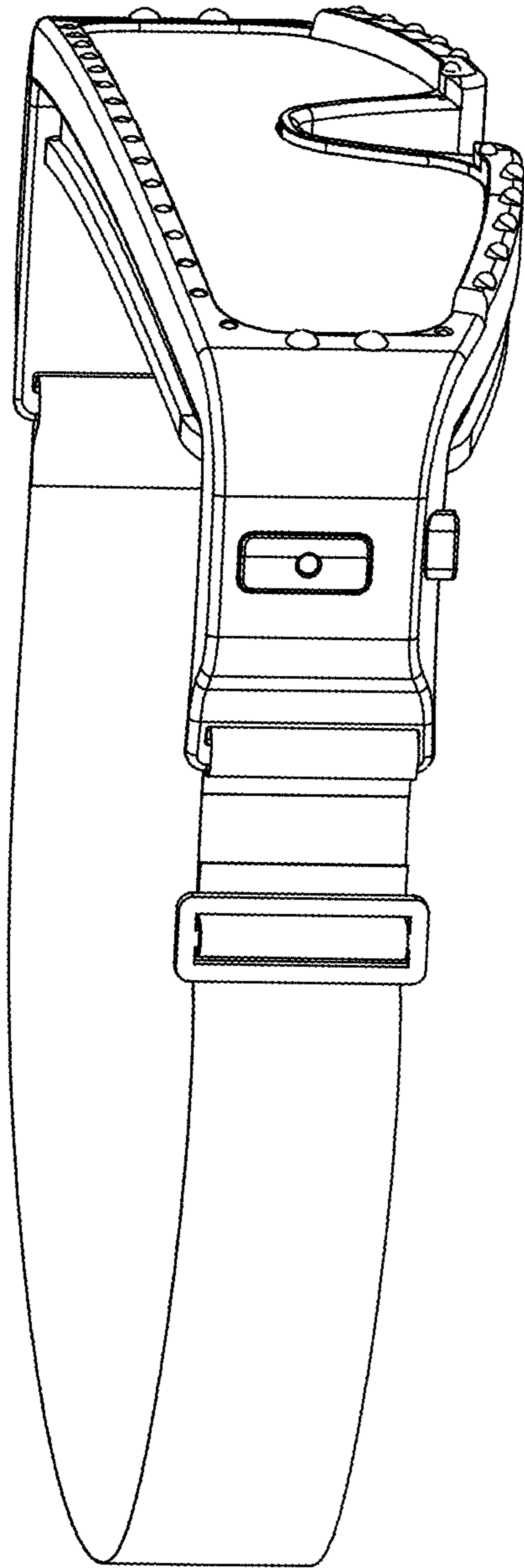


FIG 4

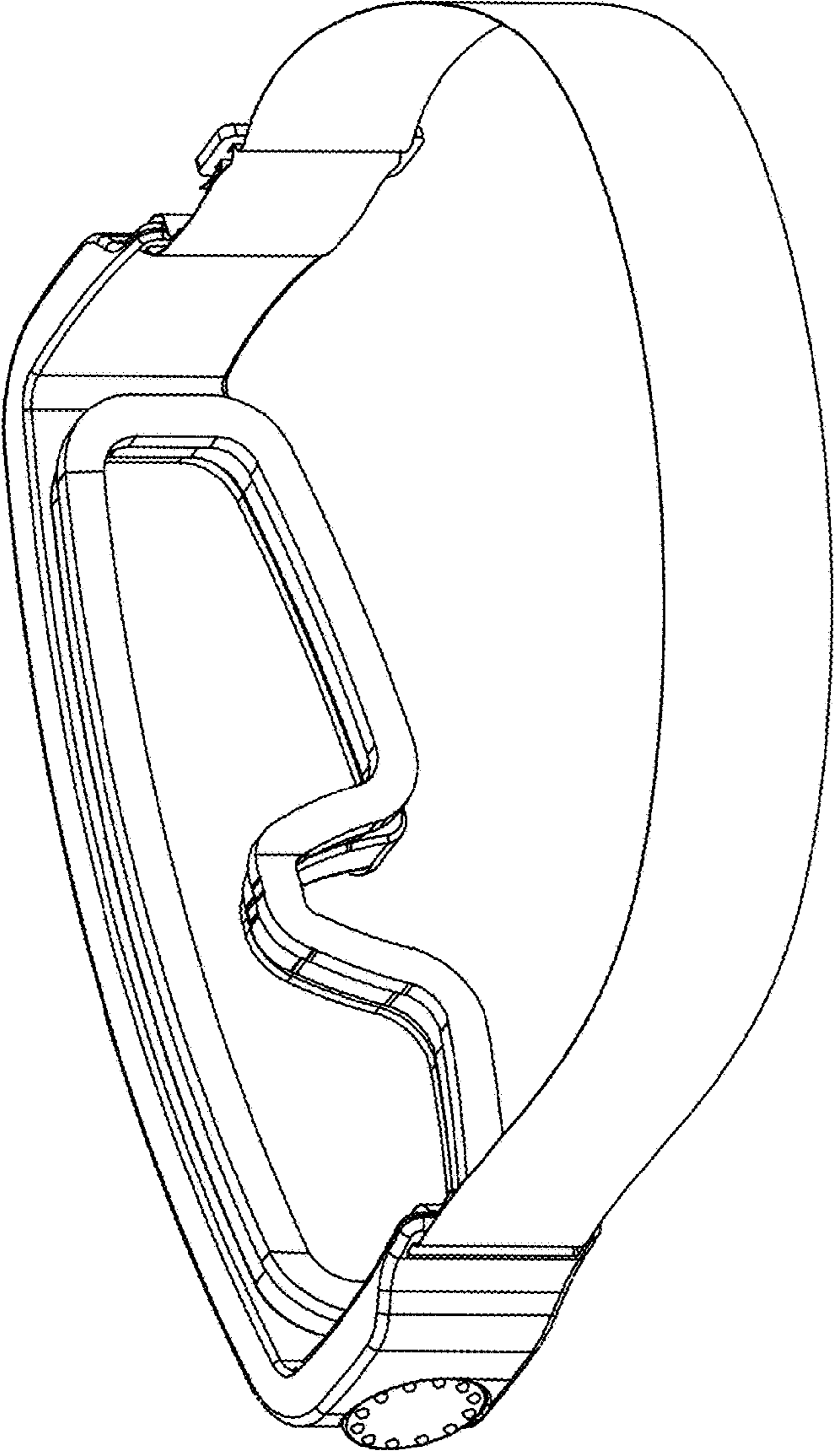


FIG 5

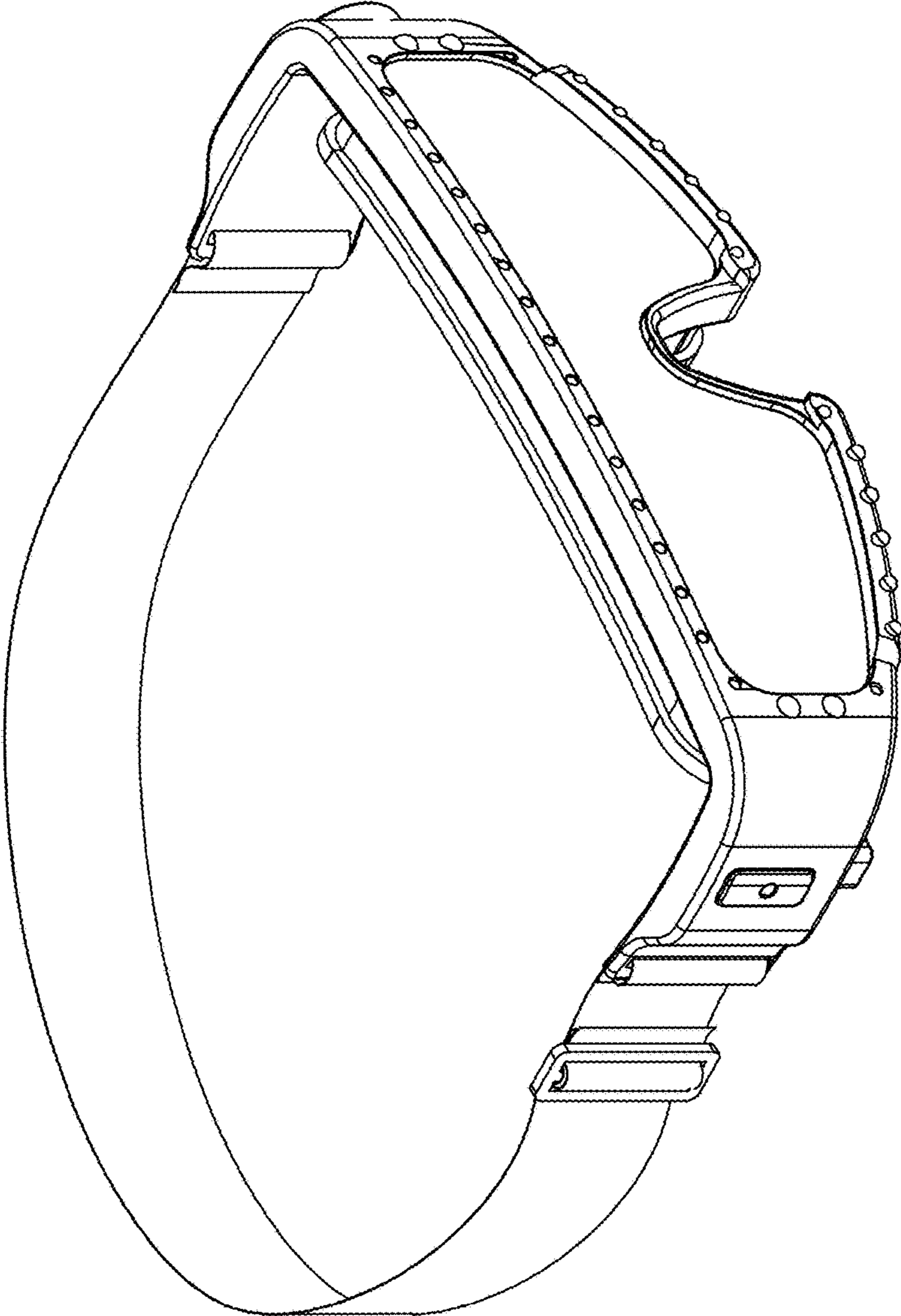


FIG 6

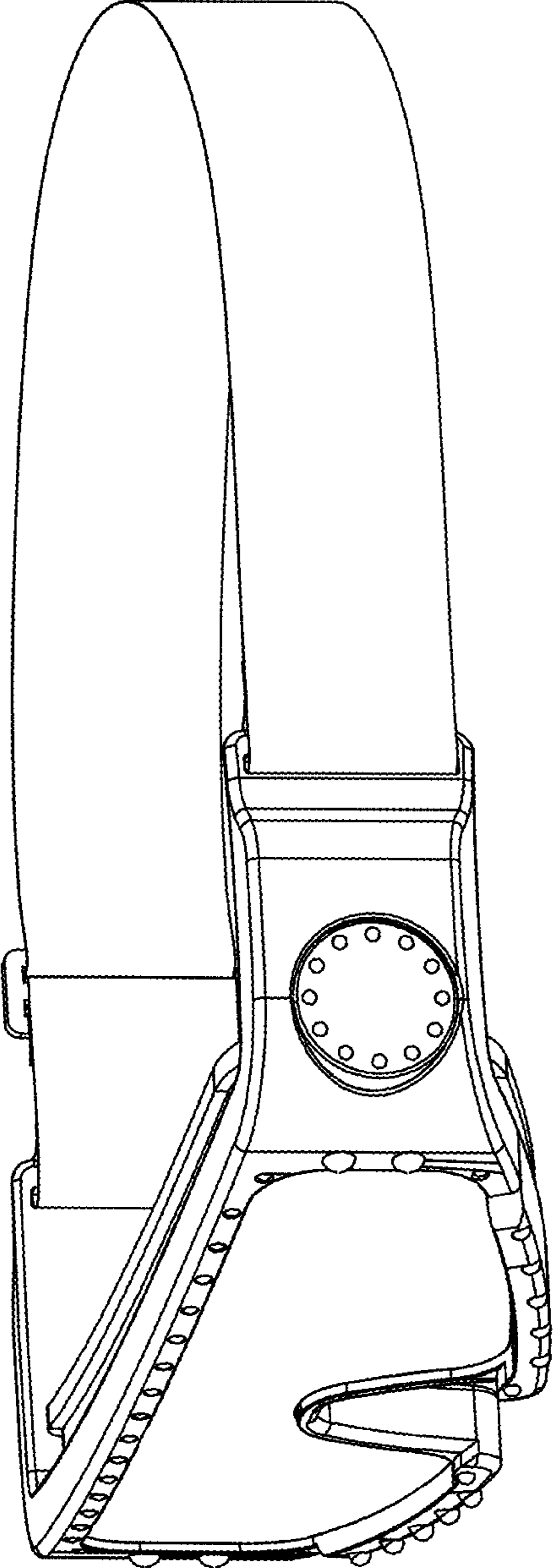


FIG 7

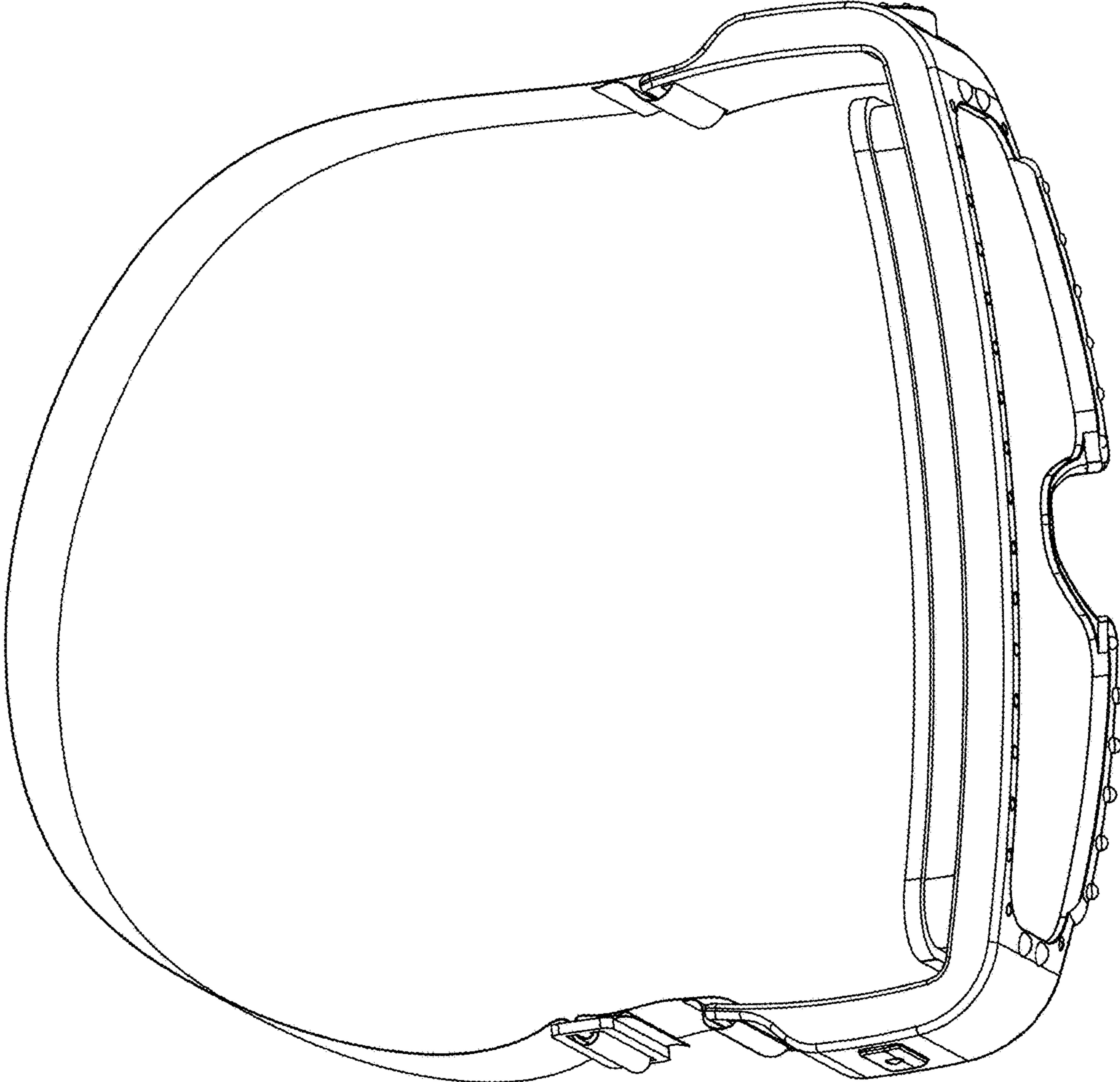


FIG 8