



US00D812127S

(12) **United States Design Patent**
Seo et al.

(10) **Patent No.:** **US D812,127 S**
(45) **Date of Patent:** **** Mar. 6, 2018**

(54) **HEAD-MOUNTED DISPLAY DEVICE**

(71) Applicant: **Samsung Electronics Co., Ltd.**,
Suwon-si (KR)

(72) Inventors: **Yong Seo**, Seoul (KR); **Minki Ham**,
Seoul (KR); **Jinsoo Kim**, Yongin-si
(KR)

(73) Assignee: **SAMSUNG ELECTRONICS CO.,
LTD.**, Suwon-si (KR)

(**) Term: **15 Years**

(21) Appl. No.: **29/573,315**

(22) Filed: **Aug. 4, 2016**

(30) **Foreign Application Priority Data**

Jun. 22, 2016 (KR) 30-2016-0030482

(51) **LOC (11) Cl.** **16-06**

(52) **U.S. Cl.**
USPC **D16/312**

(58) **Field of Classification Search**
USPC D16/101, 300-342, 900; D29/109-110;
D21/483, 659-661; D14/372; 351/41,
351/44, 45-48, 51-52, 62, 158, 92,
351/103-123, 140-153, 63, 59; 2/13, 15,
2/426-432, 447-449, 441, 434-437
CPC G02C 2200/08; G02C 1/06; G02C 5/14;
G02C 11/02; G02C 11/04; G02C 5/16;
G02C 2200/22; G02C 5/146; G02C
5/2254; G02C 5/008; G01C 5/16; A61M
2021/0044; A63B 33/002; G02B 27/2228
See application file for complete search history.

(56) **References Cited**

U.S. PATENT DOCUMENTS

672,609 A * 4/1901 Young G02B 27/2228
359/475
1,121,529 A * 12/1914 Murphy G02B 27/2228
359/477

D182,465 S * 4/1958 Hoffmaster D16/303
D184,011 S * 12/1958 Hirschmann D16/303
3,678,929 A * 7/1972 Buscher A41D 13/11
128/206.13
3,781,560 A * 12/1973 DeBurgh G02C 11/04
250/214 VT
4,021,862 A * 5/1977 Glasser A61F 9/022
2/431
4,602,856 A * 7/1986 Marks G02C 7/16
351/44
D327,489 S * 6/1992 Kaye D16/304
D351,850 S * 10/1994 Bolle D16/304

(Continued)

Primary Examiner — Karen E Kearney

Assistant Examiner — Sanjeev Paul

(74) *Attorney, Agent, or Firm* — McAndrews Held &
Malloy, Ltd.

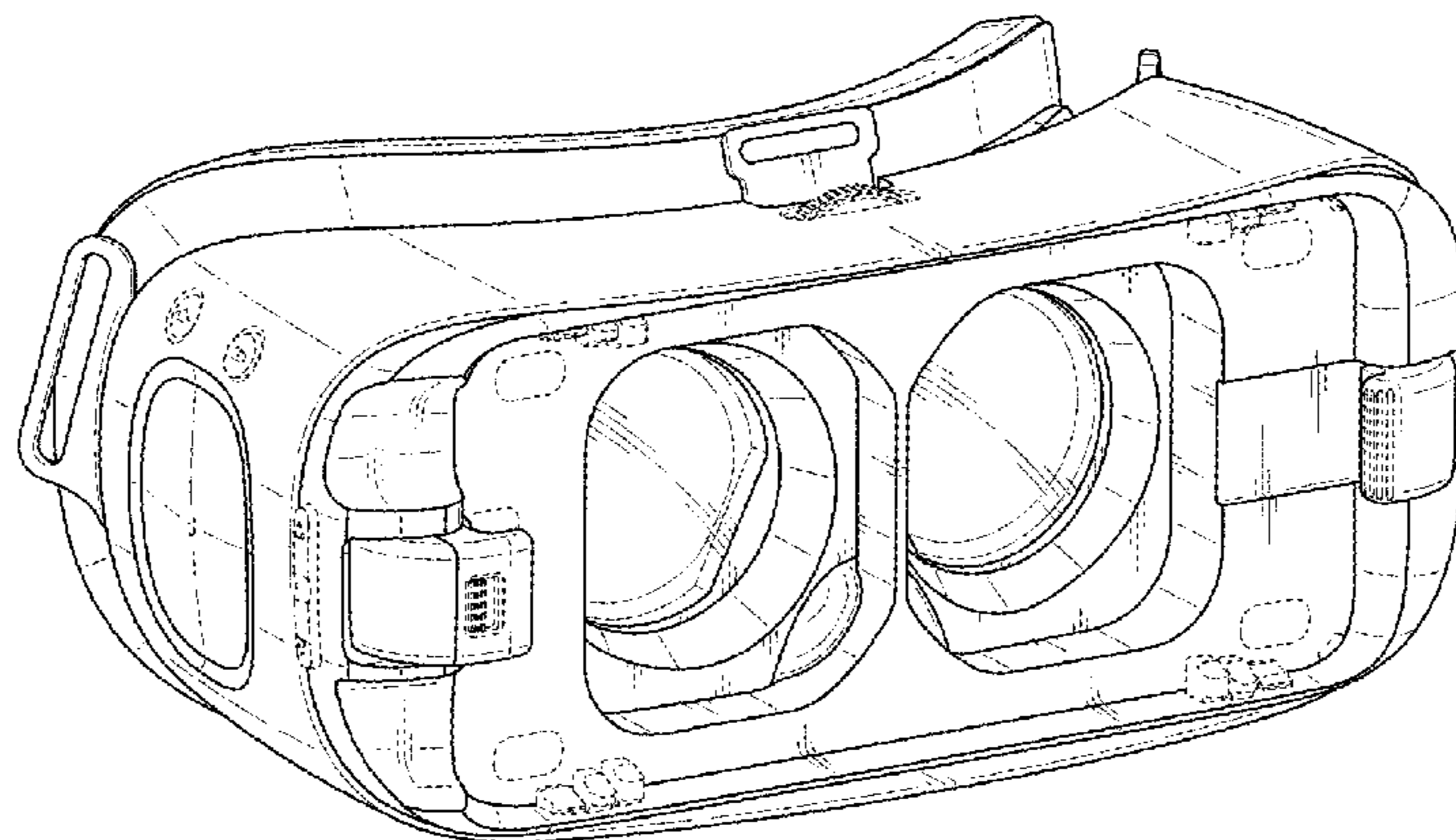
(57) **CLAIM**

The ornamental design for a head-mounted display device,
as shown and described.

DESCRIPTION

FIG. 1 is a top perspective view of a head-mounted display device showing our new design;
FIG. 2 is a front elevation view thereof;
FIG. 3 is a rear elevation view thereof;
FIG. 4 is a left side elevation view thereof;
FIG. 5 is a right side elevation view thereof;
FIG. 6 is a top plan view thereof;
FIG. 7 is a bottom plan view thereof;
FIG. 8 is bottom perspective view thereof; and,
FIG. 9 is top perspective view thereof, in which a head attachment means and a front cover are provided in broken lines to illustrate an example environment.
The broken lines in the drawings represent environment and portions of the head-mounted display device that form no part of the claimed design.

1 Claim, 9 Drawing Sheets



(56)

References Cited

U.S. PATENT DOCUMENTS

D358,150 S * 5/1995 Lewis, Jr. D14/205
 D370,909 S * 6/1996 Oikawa D14/372
 D389,826 S * 1/1998 Cousins D14/135
 D433,023 S * 10/2000 Pinchuk D14/372
 D439,265 S * 3/2001 Hayashi D14/372
 6,379,003 B1 * 4/2002 Seong G02C 3/003
 351/156
 D461,486 S * 8/2002 Katagiri D16/300
 D513,032 S * 12/2005 Diamantidis D16/300
 D537,466 S * 2/2007 Kratz D16/311
 D583,850 S * 12/2008 Jabali D16/309
 7,478,904 B2 * 1/2009 Oliver, III G02B 27/2221
 351/41
 D673,995 S * 1/2013 Hodgson D16/300
 D680,575 S * 4/2013 Takami D16/309
 D681,092 S * 4/2013 Sogabe D16/309
 8,743,463 B2 * 6/2014 Fujishiro G02B 27/0172
 345/8
 8,836,768 B1 * 9/2014 Rafii G06F 3/017
 345/420
 8,994,612 B2 * 3/2015 Fujishiro G02B 27/0172
 345/8
 D726,245 S * 4/2015 Johnson D16/300
 D749,583 S * 2/2016 Luckey D14/372

D751,072 S * 3/2016 Lyons D14/372
 D753,111 S * 4/2016 Fei D14/372
 D753,112 S * 4/2016 Fei D14/372
 D753,113 S * 4/2016 Fei D14/372
 D760,313 S * 6/2016 Ho D16/330
 D763,256 S * 8/2016 Zellweger D14/372
 D764,466 S * 8/2016 Kim D14/372
 D765,757 S * 9/2016 Katopis D16/309
 D766,896 S * 9/2016 Li D14/372
 D769,242 S * 10/2016 Kymm D14/372
 D771,626 S * 11/2016 Ko D14/372
 D773,460 S * 12/2016 Yang D14/372
 D775,128 S * 12/2016 Zellweger D14/372
 D775,261 S * 12/2016 Katopis D16/300
 D777,164 S * 1/2017 Zellweger D14/372
 D781,288 S * 3/2017 Park D14/372
 D785,619 S * 5/2017 Su D14/372
 D785,620 S * 5/2017 Zhang D14/372
 2008/0198324 A1 * 8/2008 Fuziak G02B 27/0172
 351/158
 2008/0304007 A1 * 12/2008 Brillouet G02C 11/00
 351/158
 2015/0235426 A1 * 8/2015 Lyons G02B 27/0172
 345/8
 2016/0005233 A1 * 1/2016 Fraccaroli G02B 27/0172
 345/633
 2017/0115729 A1 * 4/2017 Han G06F 3/012

* cited by examiner

FIG. 1

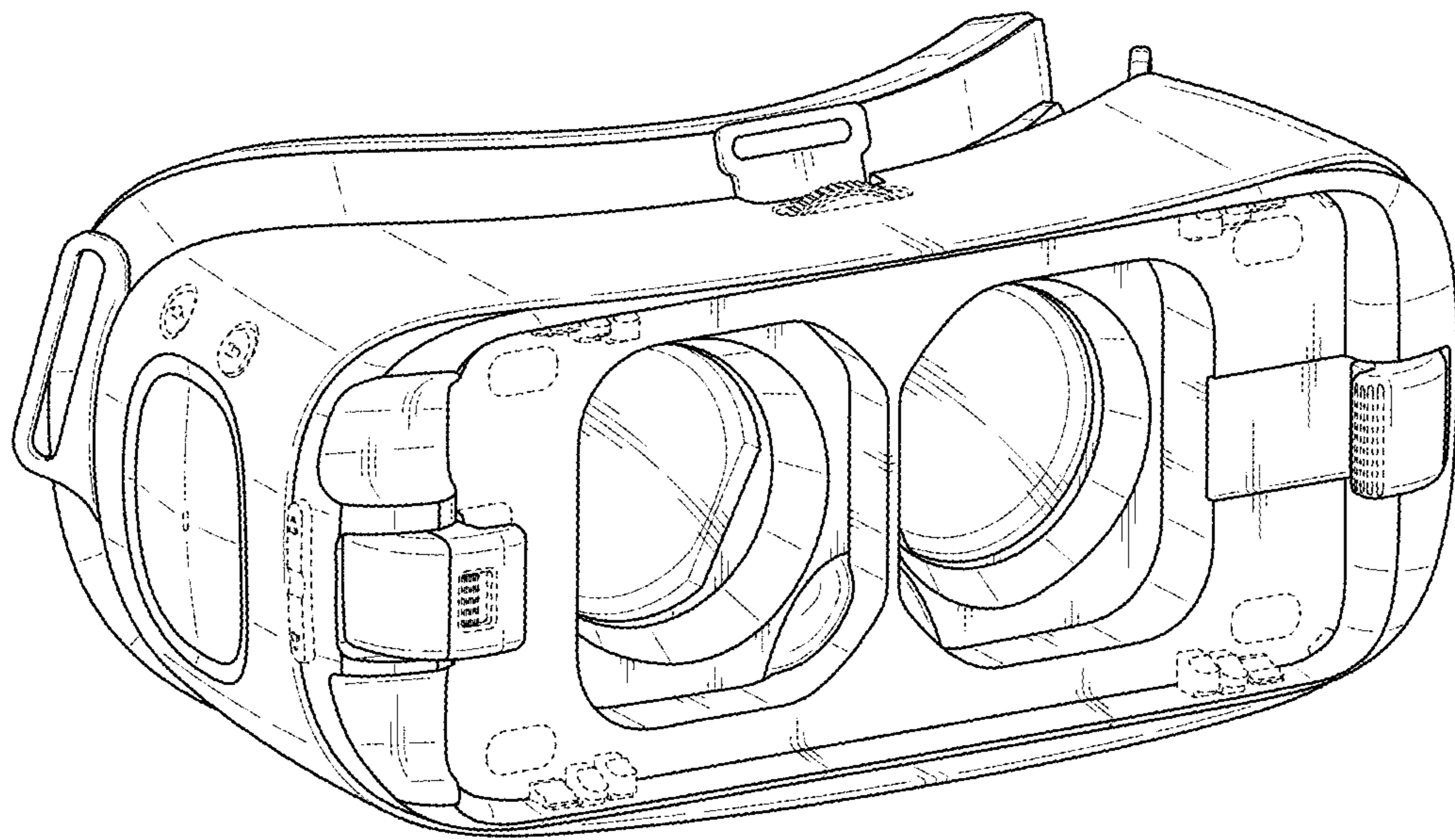


FIG. 2

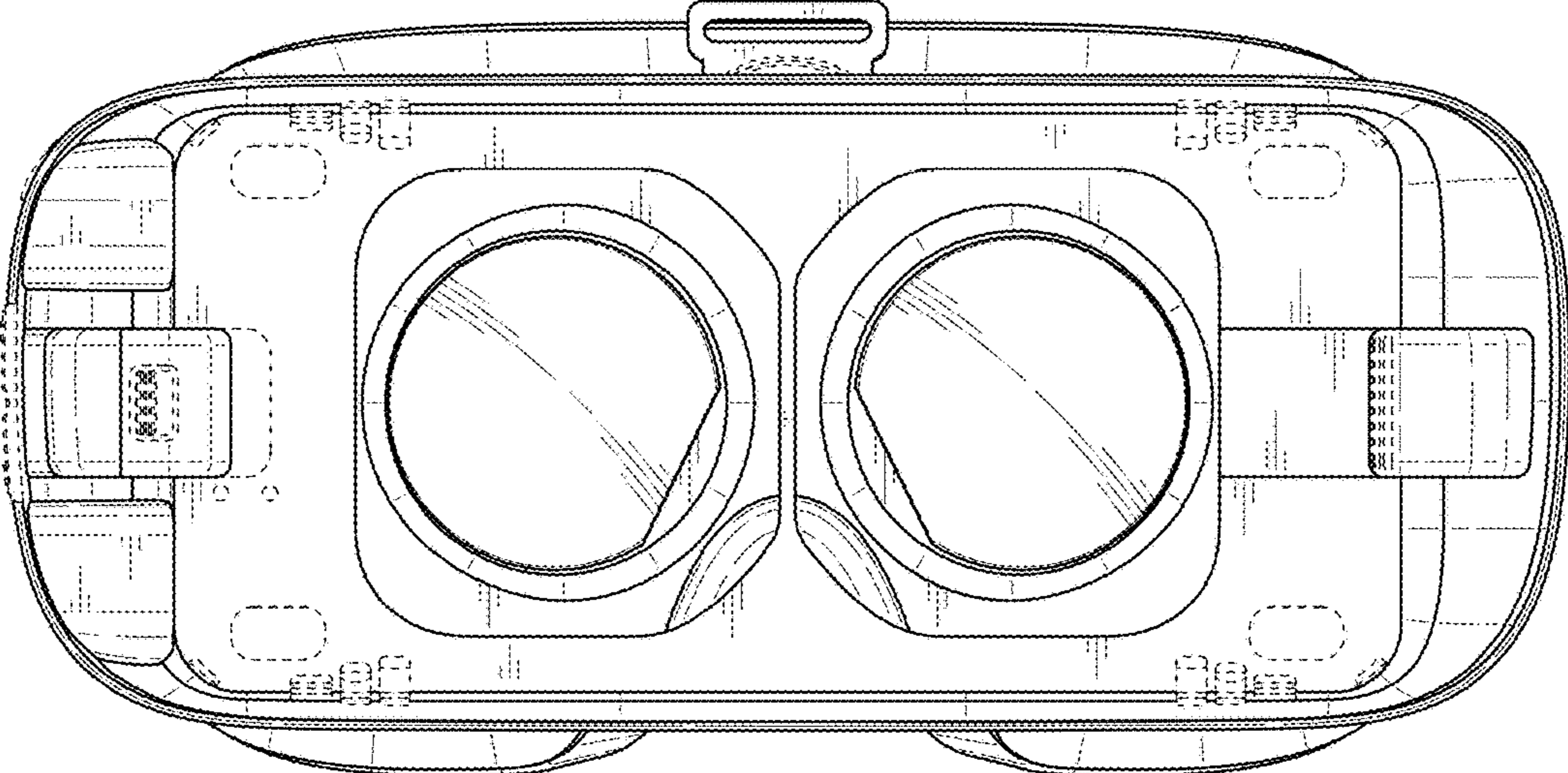


FIG. 3

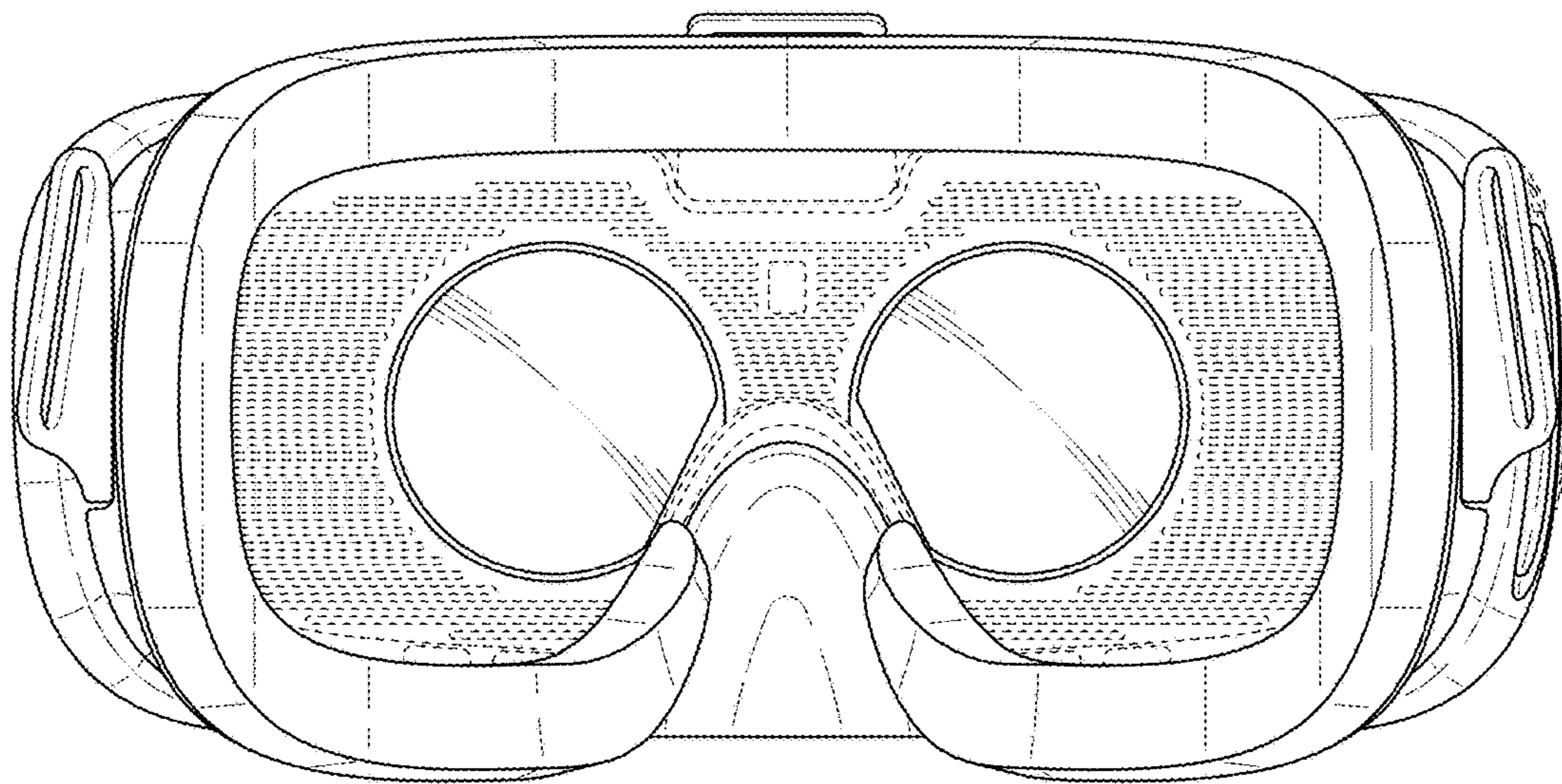


FIG. 4

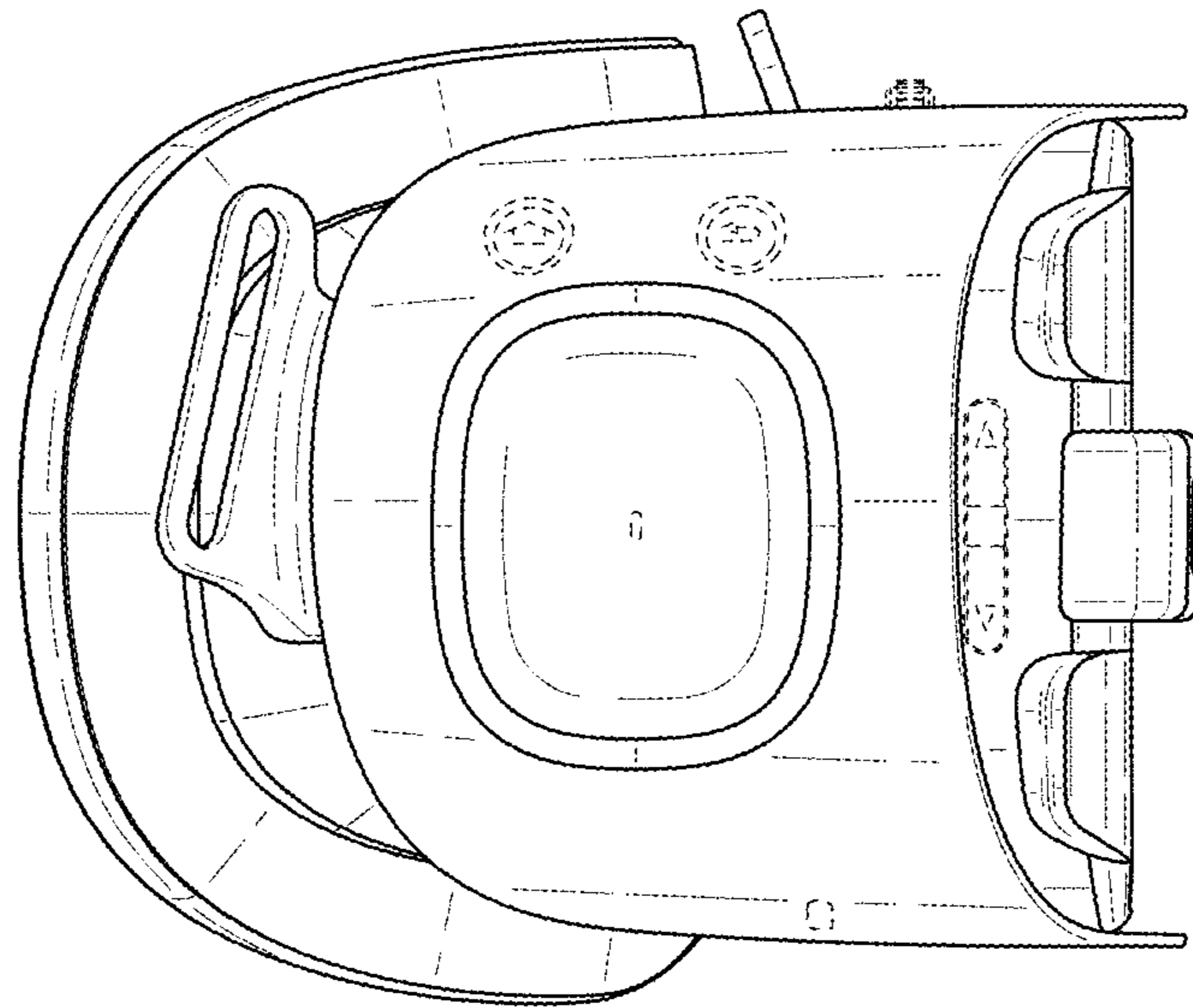


FIG. 5

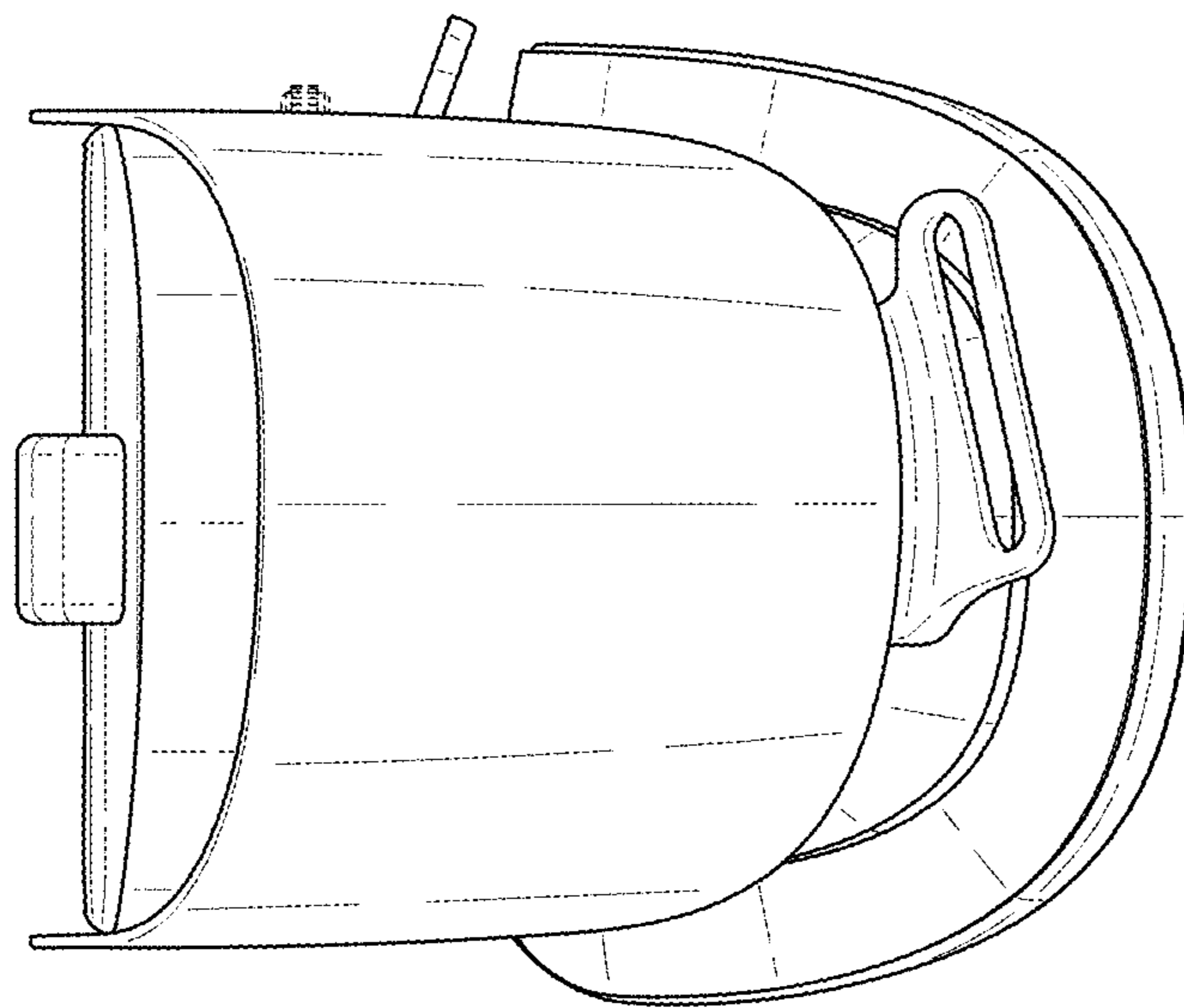


FIG. 6

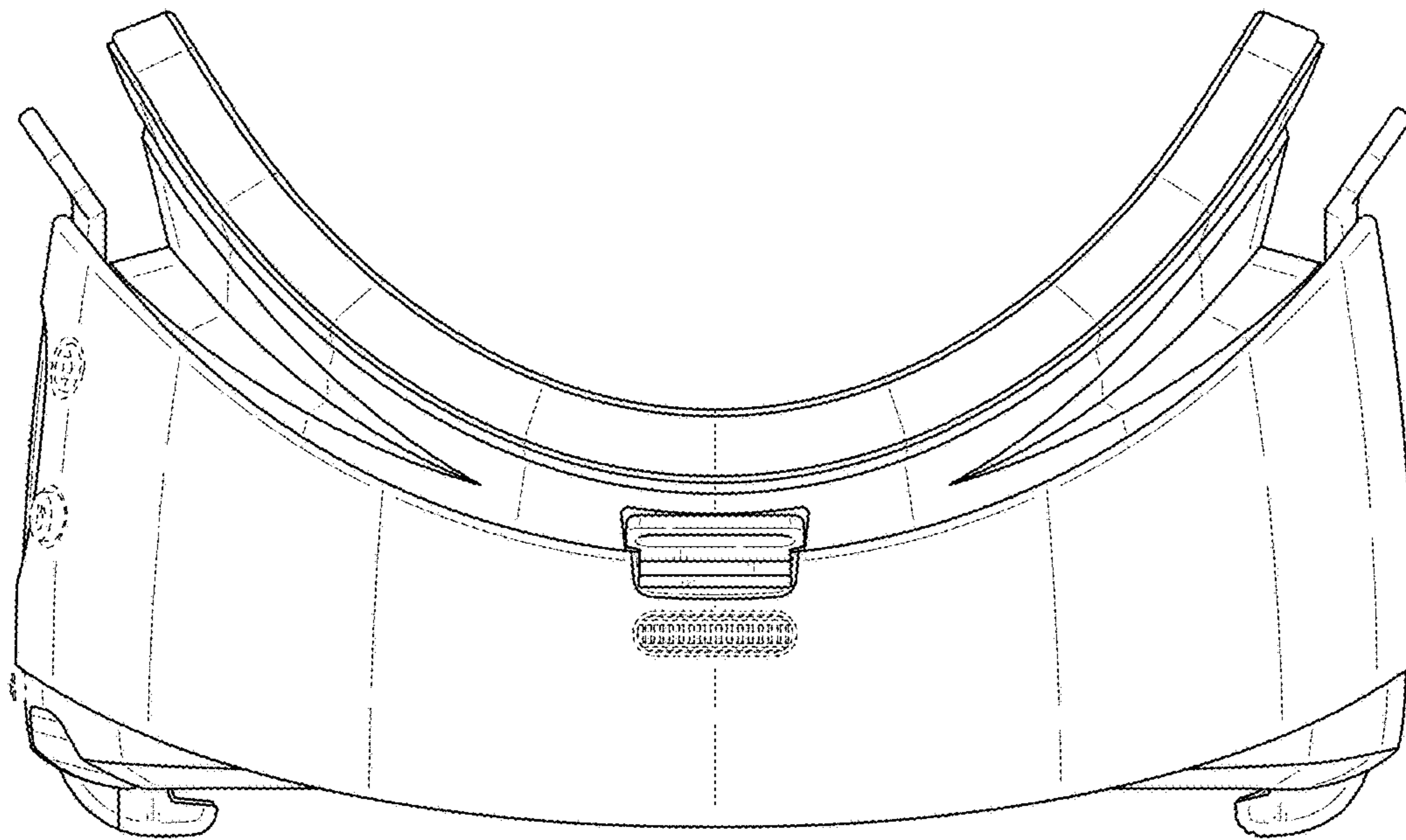


FIG. 7

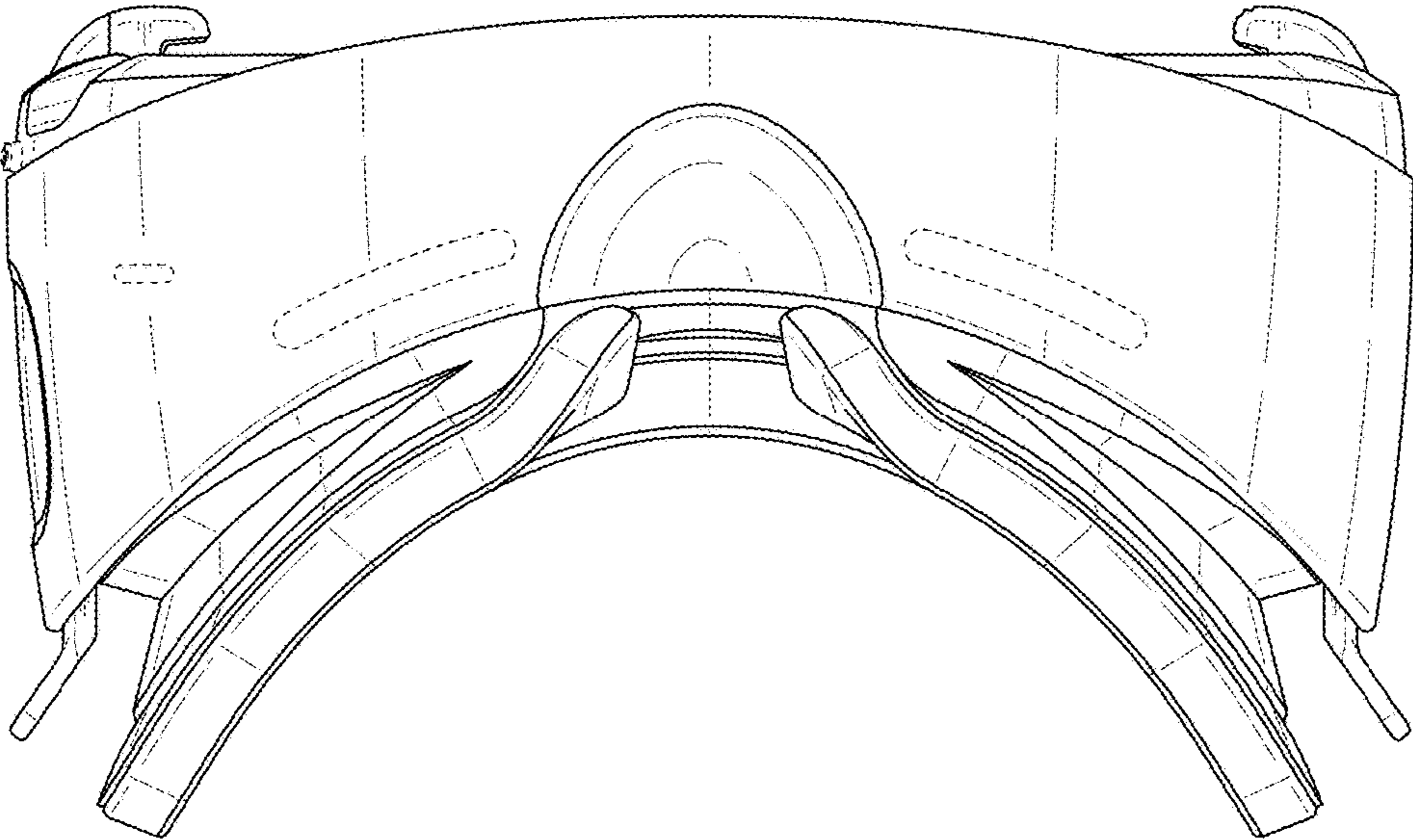


FIG. 8

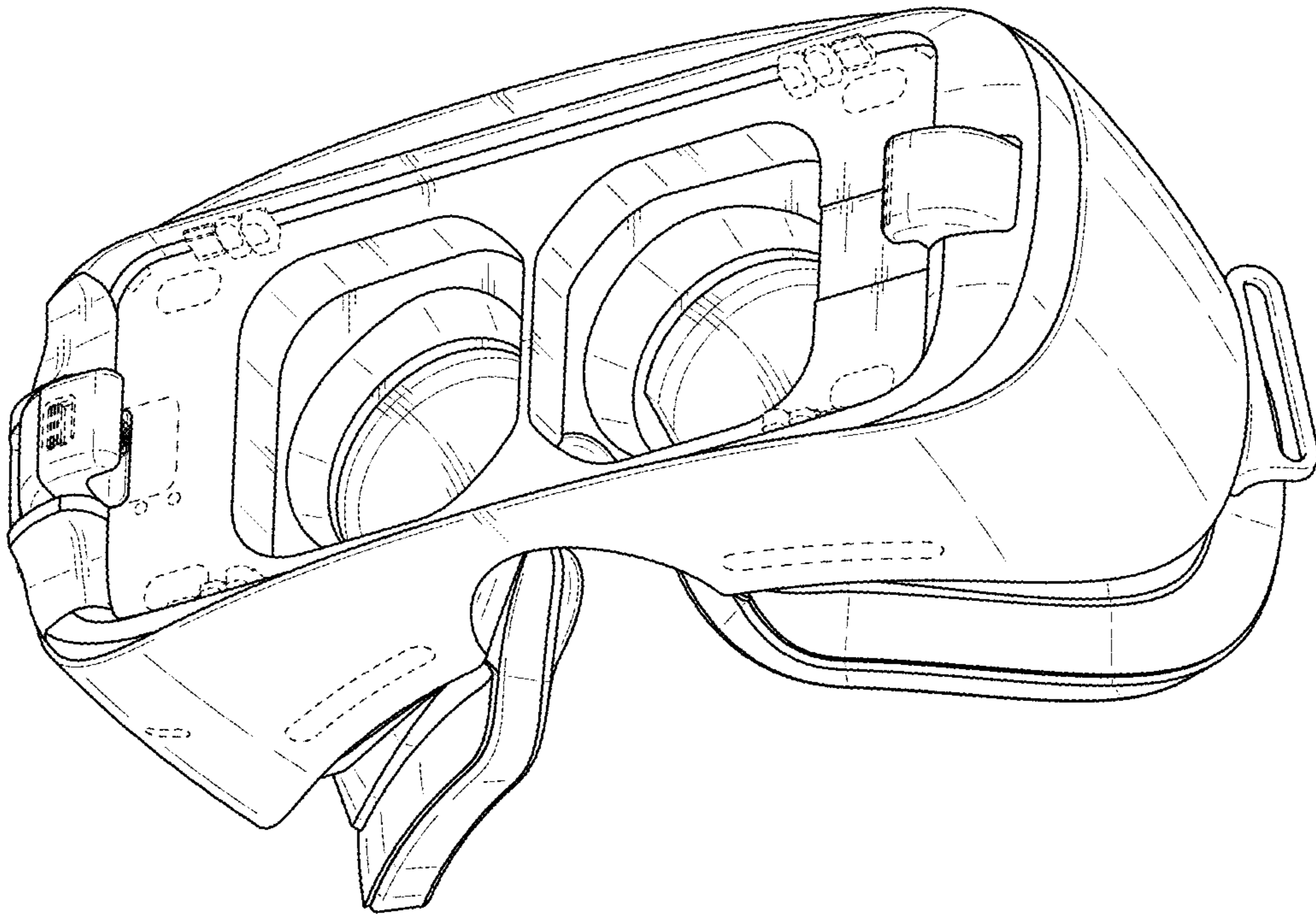


FIG. 9

