



US00D812126S

(12) **United States Design Patent** (10) **Patent No.:** **US D812,126 S**
Paterson et al. (45) **Date of Patent:** **** Mar. 6, 2018**

(54) **CAMERA POLE MOUNT**

FOREIGN PATENT DOCUMENTS

(71) Applicant: **GoPro, Inc.**, San Mateo, CA (US)

EM 002715755-0002 * 6/2015

(72) Inventors: **Michael Paterson**, San Francisco, CA (US); **Huy Phuong Nguyen**, San Mateo, CA (US); **Ryan Harrison**, Walpole, NH (US)

OTHER PUBLICATIONS

The Pole Handheld Extendable Camera Mount. [online] Published date unknown. Retrieved on Jun. 3, 2017 from <URL: https://www.bhphotovideo.com/c/product/994224-REG/platinum_pl_pole_the_pole_camera_mount.html>.*

(73) Assignee: **GoPro, Inc.**, San Mateo, CA (US)

(Continued)

(**) Term: **15 Years**

Primary Examiner — Vy N Koenig

(21) Appl. No.: **29/566,371**

Assistant Examiner — Omeed Agilee

(22) Filed: **May 27, 2016**

(74) *Attorney, Agent, or Firm* — Young Basile Hanlon & MacFarlane, P.C.

(51) **LOC (11) Cl.** **16-05**

(52) **U.S. Cl.**
USPC **D16/243**

(58) **Field of Classification Search**
USPC D16/208, 213–219, 235, 237–250;
D14/217, 229, 250–253; D8/363, 373,
D8/394

CPC G03B 17/02–17/04; G03B 17/14; G03B 17/56; G03B 17/561–17/568; G03B 21/20; G02B 7/00–7/002; F16M 11/02; F16M 11/04; F16M 11/20; F16M 11/40

See application file for complete search history.

(57) **CLAIM**

The ornamental design for a camera pole mount, as shown and described.

DESCRIPTION

FIG. 1 is a front, top, and right side perspective view of a camera pole mount;

FIG. 2 is a rear, bottom, and left side perspective view thereof;

FIG. 3 is a front elevational view thereof;

FIG. 4 is a rear elevational view thereof;

FIG. 5 is a left side elevational view thereof;

FIG. 6 is a right side elevational view thereof;

FIG. 7 is a top plan view thereof;

FIG. 8 is a bottom plan view thereof;

FIG. 9 is a front, top, and right side enlarged perspective view of the encircled area labeled “9” in FIG. 1; and,

FIG. 10 is a rear, bottom, and left side enlarged perspective view of the encircled area labeled “10” in FIG. 2.

The broken lines in the drawings are included for the purpose of illustrating environmental structure and form no part of the claimed design.

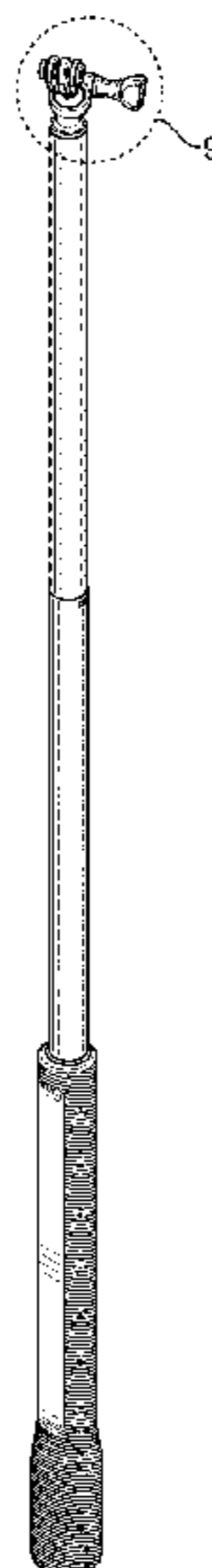
(56) **References Cited**

U.S. PATENT DOCUMENTS

D625,573 S	*	10/2010	Bonzer	D8/107
D678,387 S	*	3/2013	Stump	D16/244
D730,429 S	*	5/2015	Anari	D16/237
D746,353 S	*	12/2015	Woodman	D16/242
D747,399 S	*	1/2016	Stump	D16/243
D766,230 S	*	9/2016	Shepard	D14/253
D779,579 S	*	2/2017	Anari, III	D16/242
D780,247 S	*	2/2017	Anari, III	D16/242
D780,248 S	*	2/2017	Anari, III	D16/242
D783,701 S	*	4/2017	Anari	D16/243

(Continued)

1 Claim, 10 Drawing Sheets



(56)

References Cited

U.S. PATENT DOCUMENTS

2008/0117328 A1* 5/2008 Daoud F16M 11/10
348/373
2013/0176412 A1* 7/2013 Chen H04N 7/183
348/77
2015/0108777 A1* 4/2015 Anari, III G03B 17/563
294/139
2015/0316837 A1* 11/2015 Maltese F16M 13/04
294/139
2016/0091139 A1* 3/2016 Levine F16M 13/04
294/139

OTHER PUBLICATIONS

Telescoping Extendable Pole. [online] Published date unknown.
Retrieved on Jun. 3, 2017 from <URL:http://www.ebay.com/itm/Telescoping-Extendable-Pole-Handheld-Tripod-Mount-Selfie-Stick-for-GoPro-Hero-4/401196974256?_trksid=p2047675.c100005.m1851&_trkparms=aid%3D222007%26algo%3DSIC.MBE%26ao%3D2%26asc%3D41375%26meid%3Dfc53b9f4b31d49c0a4c887bb430a3aff>.*
El Grande (38in Extension Pole). [online] Published date unknown.
Retrieved on Jul. 6, 2017 from <URL: <https://shop.gopro.com/mounts/el-grande-38in-extension-pole/AGXTS-001.html>>.*

* cited by examiner

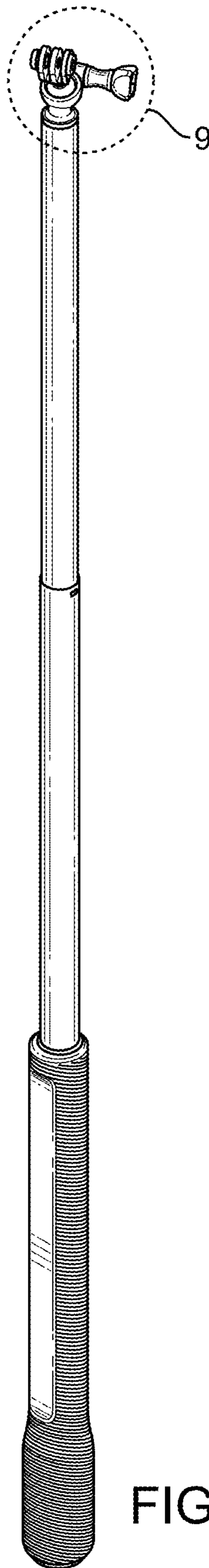


FIG. 1

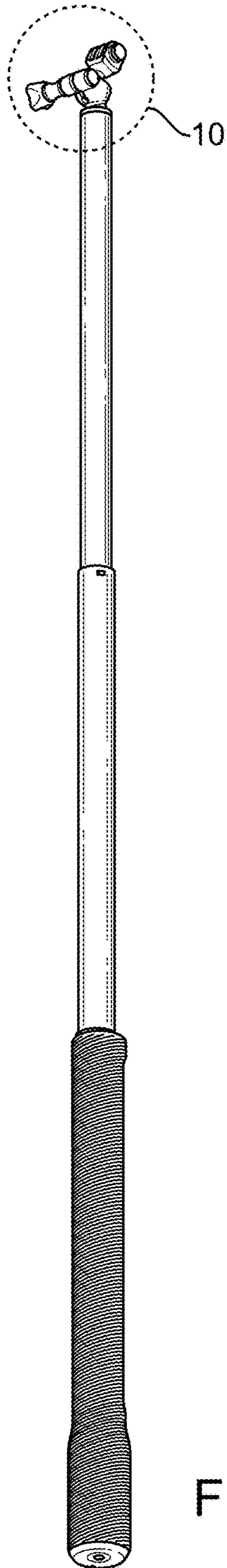


FIG. 2

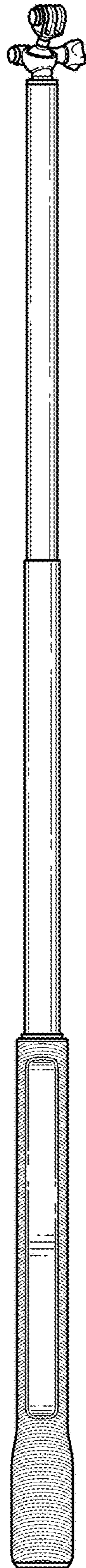


FIG. 3

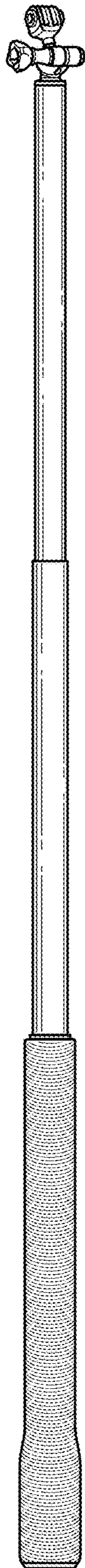


FIG. 4

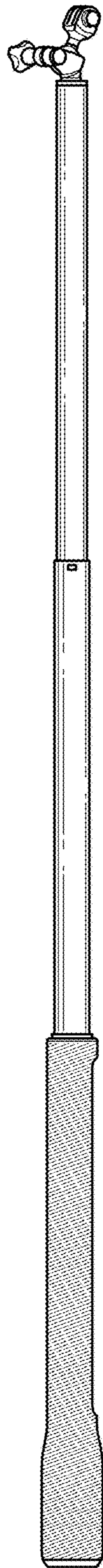


FIG. 5

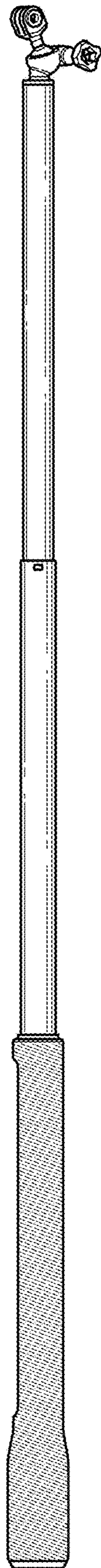


FIG. 6

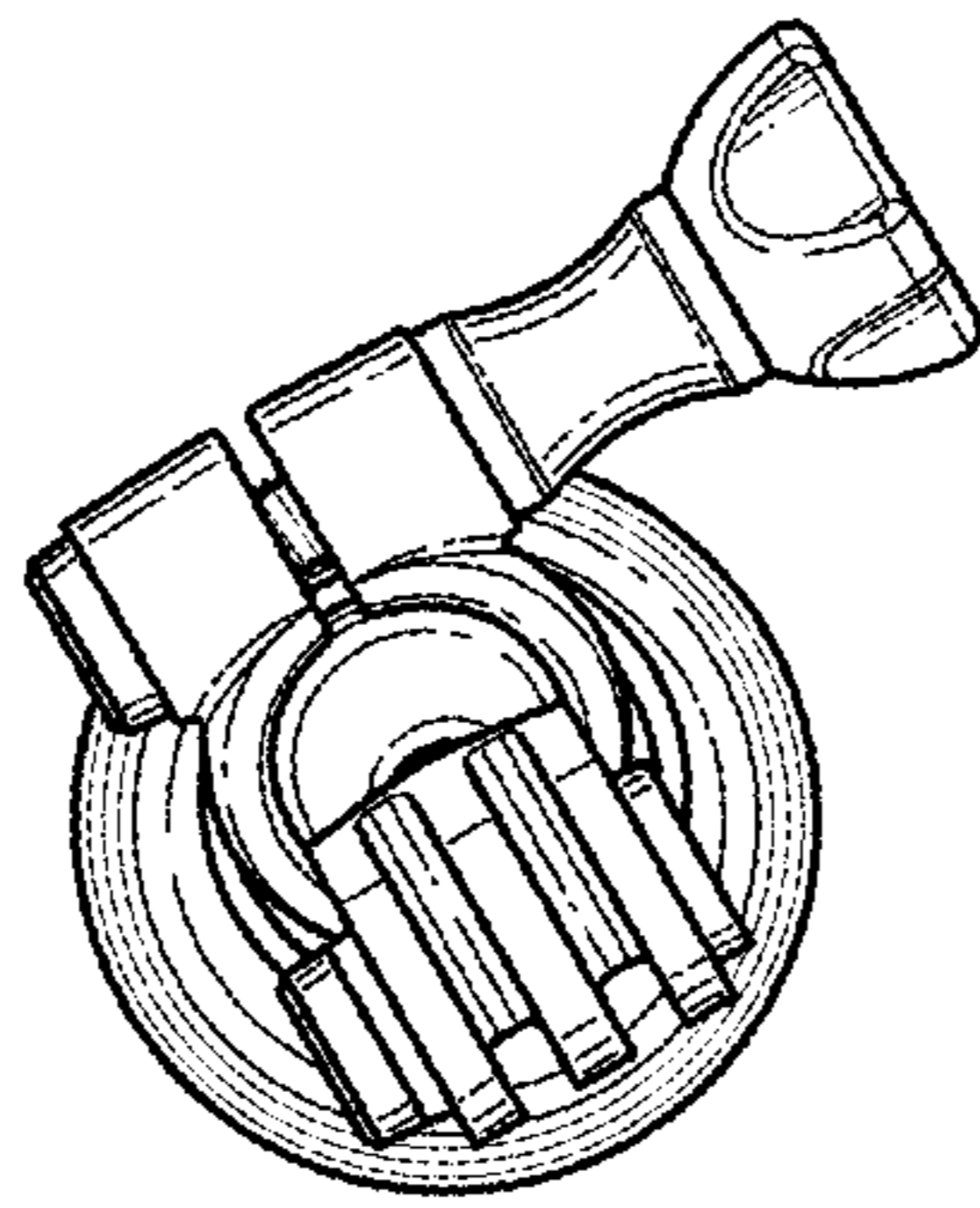


FIG. 7

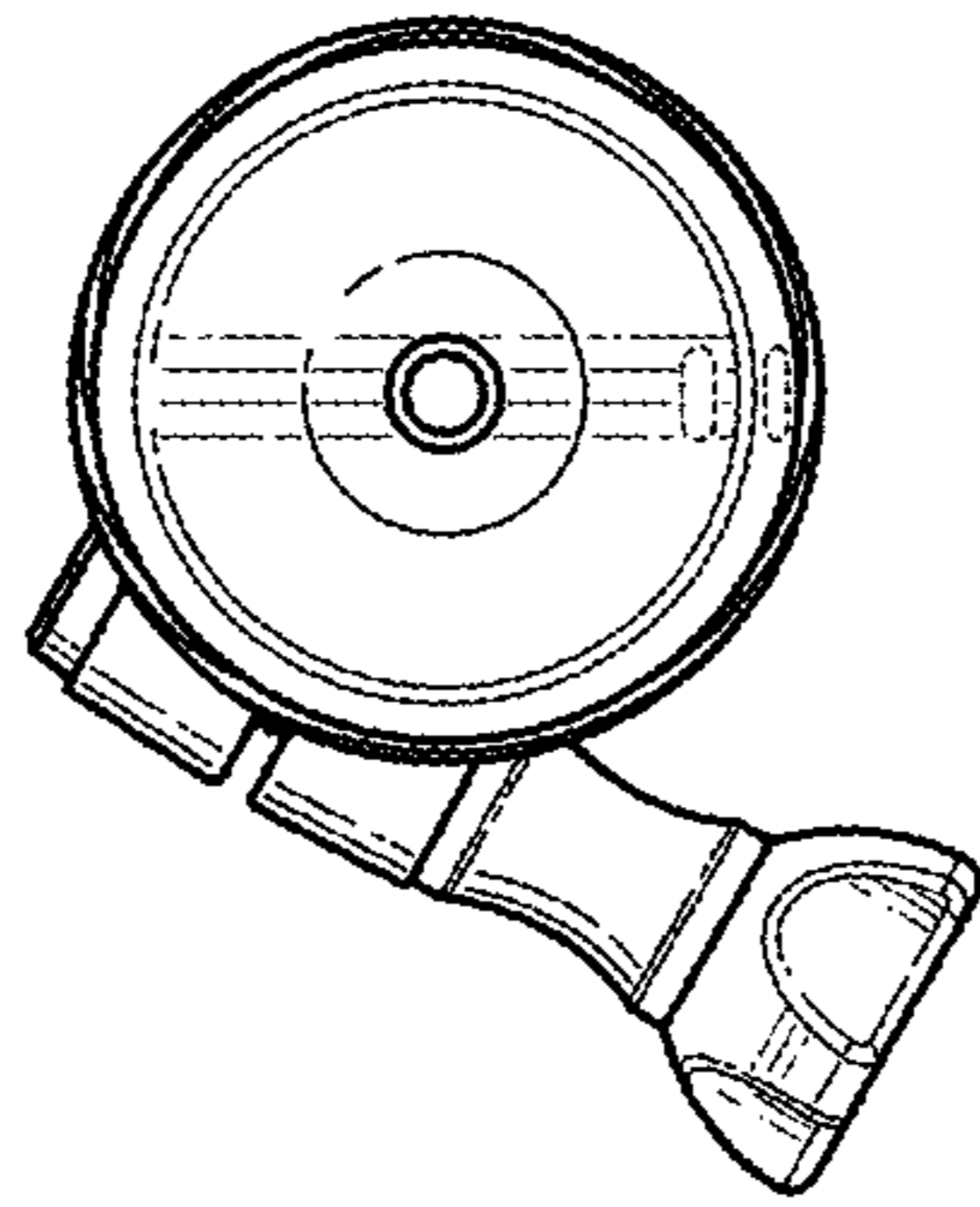


FIG. 8

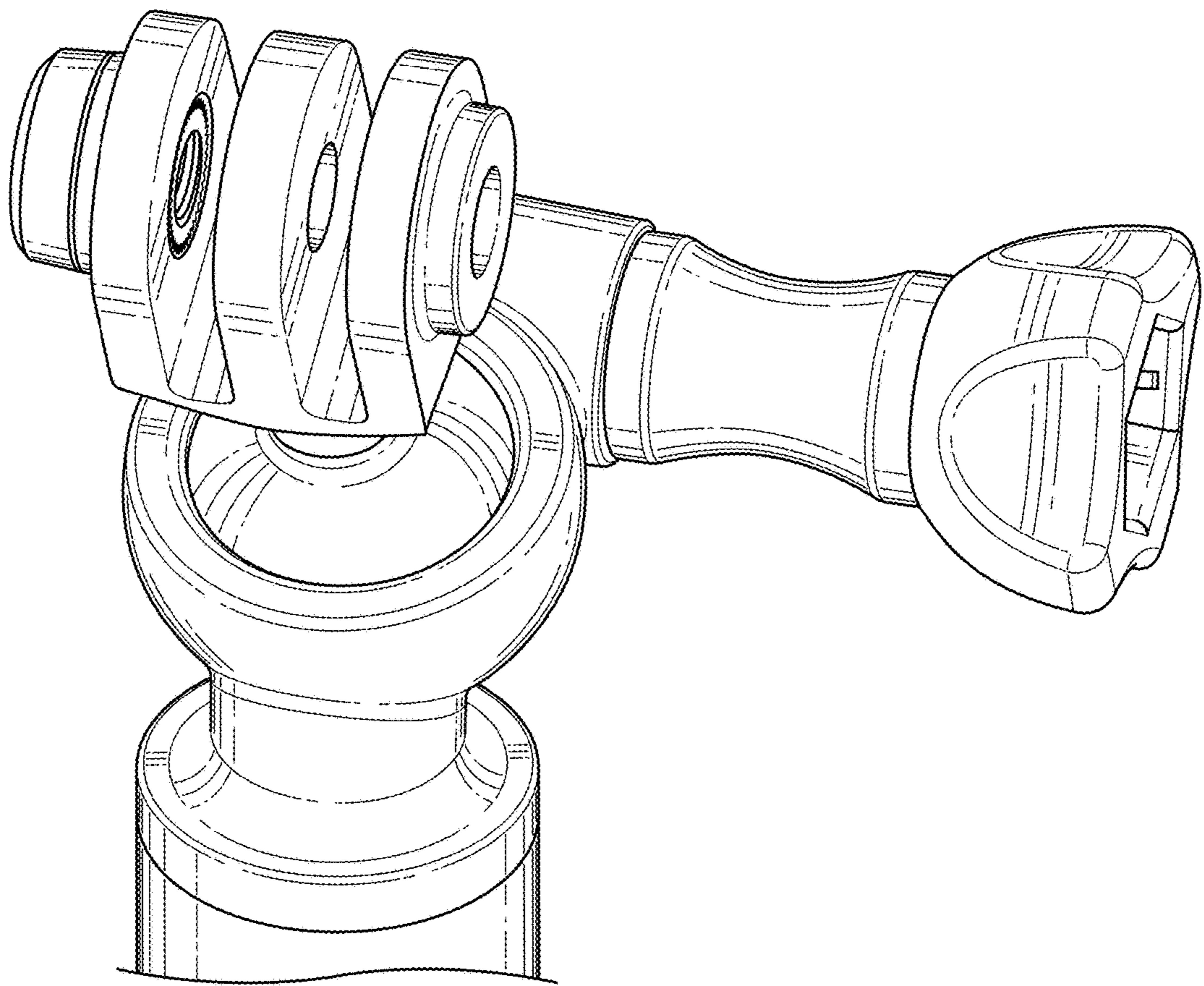


FIG. 9

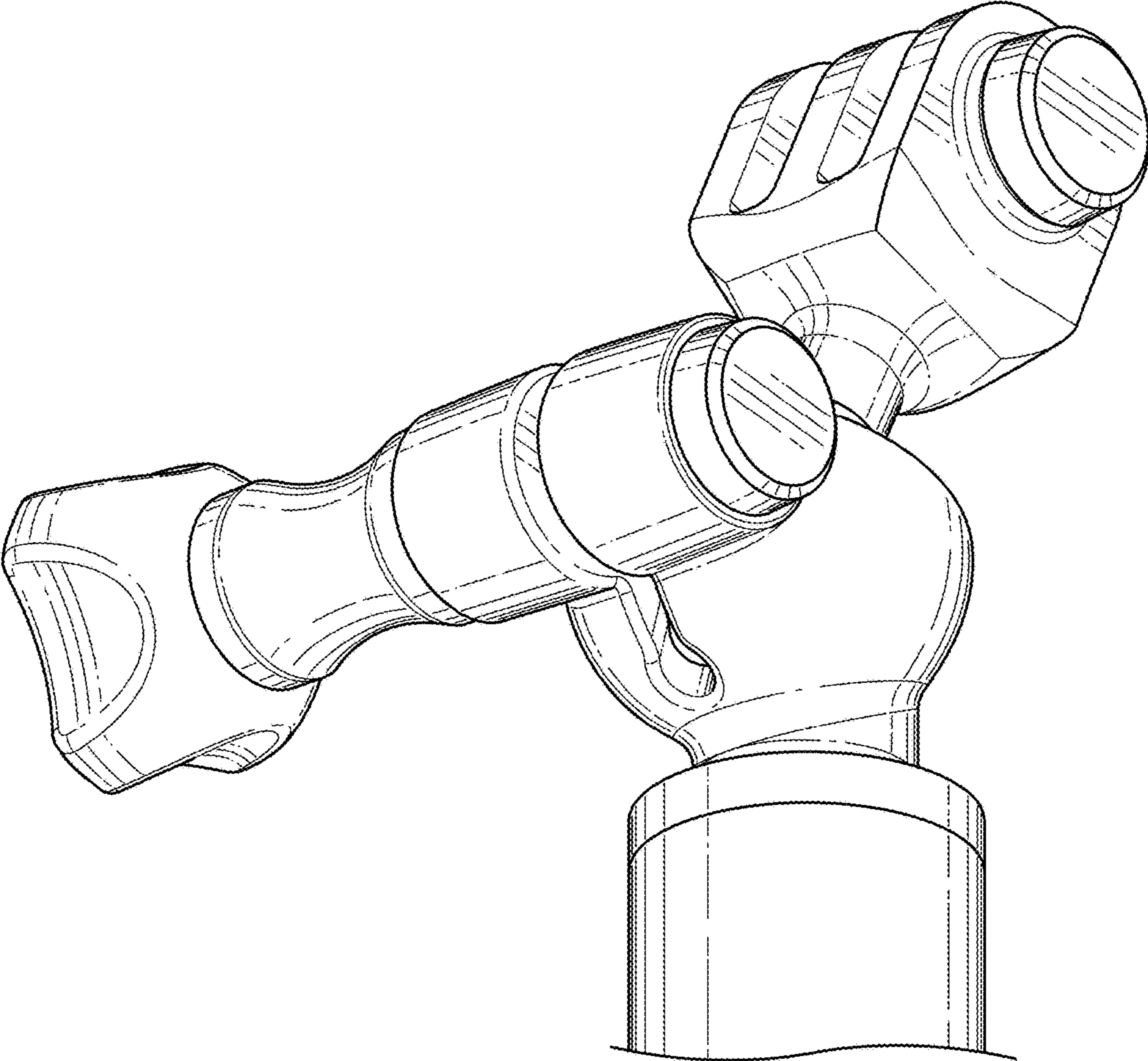


FIG. 10