



US00D812124S

(12) **United States Design Patent**
Duffy et al.

(10) **Patent No.:** **US D812,124 S**
(45) **Date of Patent:** **** Mar. 6, 2018**

- (54) **CAMERA STAND**
- (71) Applicant: **GOOGLE INC.**, Mountain View, CA (US)
- (72) Inventors: **Gregory R. Duffy**, San Francisco, CA (US); **Melissa D. McLean**, Novato, CA (US); **Aamir S. Virani**, San Francisco, CA (US)
- (73) Assignee: **GOOGLE LLC**, Mountain View, CA (US)
- (**) Term: **15 Years**
- (21) Appl. No.: **29/549,999**
- (22) Filed: **Dec. 29, 2015**

Related U.S. Application Data

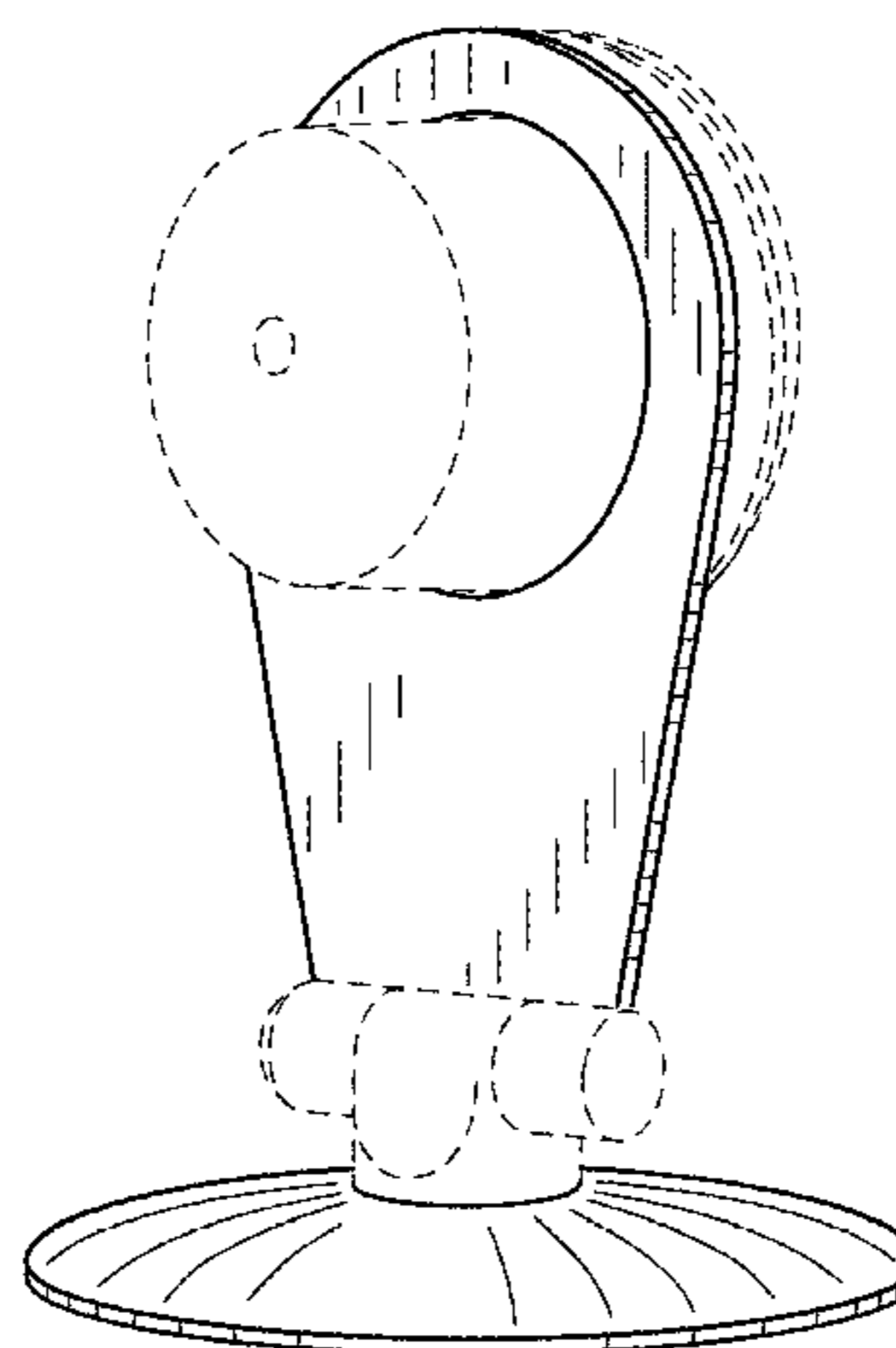
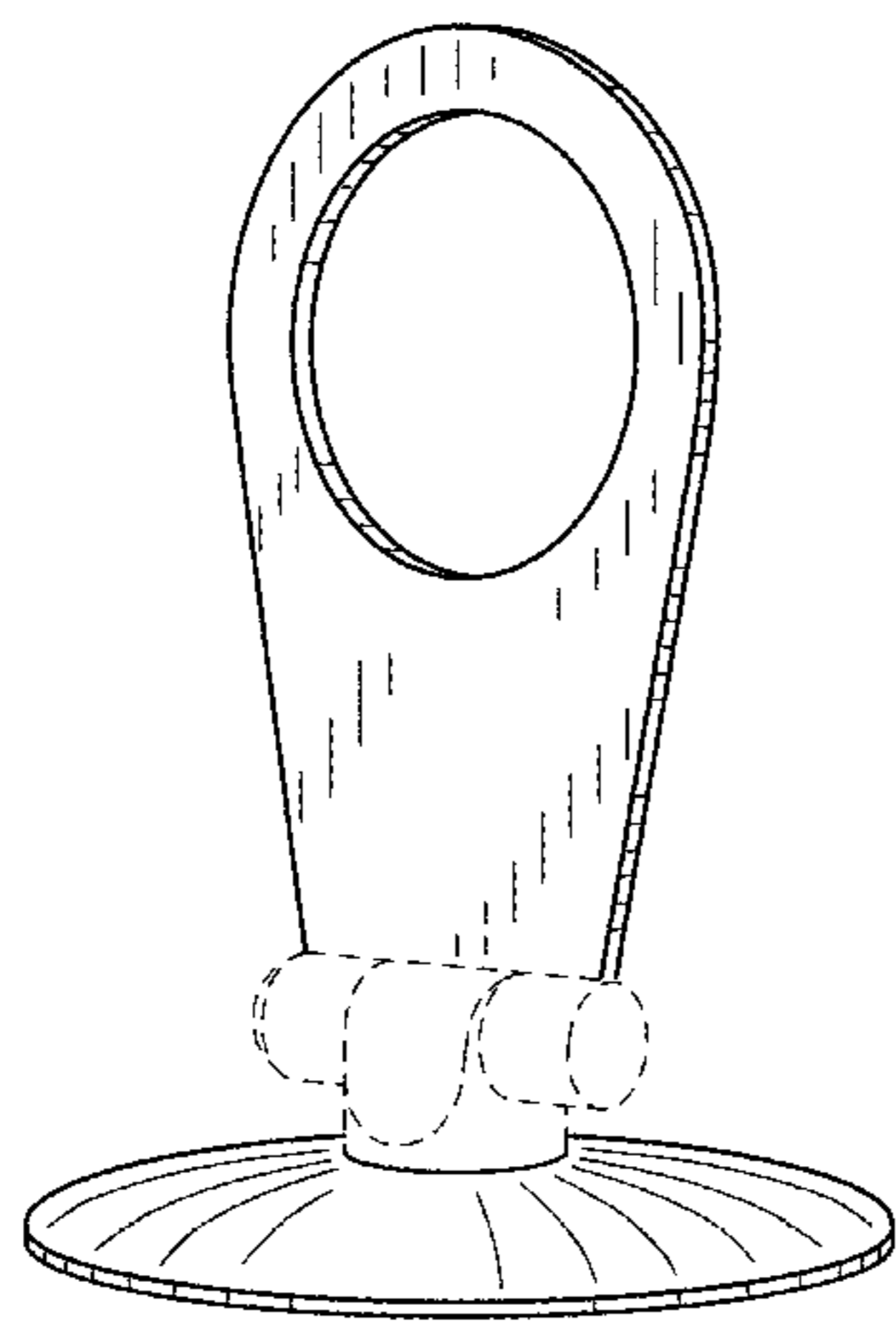
- (63) Continuation of application No. 14/701,283, filed on Apr. 30, 2015, which is a continuation of application No. 13/604,399, filed on Sep. 5, 2012, now Pat. No. 9,071,740.
- (51) **LOC (11) Cl.** **16-05**
- (52) **U.S. Cl.**
USPC **D16/219**
- (58) **Field of Classification Search**
USPC D16/200, 202-205, 208, 218, 219, 237, D16/242-245; 348/14.01-14.6, 143, 148, 348/151, 373-376; 396/419, 427, 428, 396/535, 539-541; 248/176.1, 187.1
CPC G03B 17/02; G03B 19/04; G03B 17/56; G03B 17/04; G03B 15/03; H04N 2101/00; H04N 2007/145; H04N 7/141; H04N 7/142; H04N 7/147; H04N 7/148; H04N 7/15; H04N 7/152
See application file for complete search history.

(56) **References Cited**

U.S. PATENT DOCUMENTS

2,997,935 A 8/1961 Scheffold
3,782,260 A 1/1974 Ettischer et al.

D349,914 S 8/1994 Usui
D357,267 S 4/1995 Yotsuya
D372,490 S 8/1996 Sheffield et al.
5,604,534 A 2/1997 Hedges et al.
D385,571 S 10/1997 Abrams
5,862,428 A 1/1999 An
5,963,253 A 10/1999 Dwyer
5,978,028 A 11/1999 Yamane
6,088,470 A 7/2000 Camus et al.
D429,269 S 8/2000 Renkis
D429,743 S 8/2000 Renkis
6,141,052 A 10/2000 Fukumitsu
6,147,701 A 11/2000 Tamura et al.
D442,202 S 5/2001 Pfeifer
D445,123 S 7/2001 Shen
6,268,882 B1 7/2001 Elberbaum
D446,534 S 8/2001 Zimmer
D447,758 S 9/2001 Lin et al.
D449,630 S 10/2001 Rak et al.
D452,259 S 12/2001 Choi
6,357,936 B1 3/2002 Elberbaum
D455,164 S 4/2002 Tsang et al.
6,462,781 B1 10/2002 Arnold
D467,952 S 12/2002 Nakamura
D469,775 S * 2/2003 Bradley D14/434
D470,874 S 2/2003 Chiu
D470,875 S 2/2003 Liao
6,515,275 B1 2/2003 Hunter
6,634,804 B1 10/2003 Toste et al.
6,650,694 B1 11/2003 Brown et al.
6,678,001 B1 1/2004 Elberbaum
6,714,236 B1 3/2004 Wada
6,714,286 B1 3/2004 Wheel
6,727,954 B1 4/2004 Okada et al.
D489,388 S 5/2004 Saito et al.
6,762,790 B1 7/2004 Matko et al.
D511,352 S 11/2005 Oliver et al.
7,034,884 B2 4/2006 Misawa
7,066,664 B1 6/2006 Sitoh et al.
7,076,162 B2 7/2006 Yamashita
D527,755 S 9/2006 Wu
7,151,565 B1 12/2006 Wada
D534,938 S 1/2007 Beasley et al.
D537,097 S 2/2007 Freeman
D542,320 S 5/2007 Cheng
D552,649 S 10/2007 Logan et al.
D552,659 S * 10/2007 Stephens D16/237
D555,692 S 11/2007 Liu et al.
7,290,740 B2 11/2007 Joy et al.
D558,250 S * 12/2007 Hsia D16/203
D563,446 S 3/2008 Stephens et al.
D575,316 S 8/2008 Liu et al.
7,443,446 B2 10/2008 Seo



2012/0263450 A1 10/2012 Totani
 2012/0328358 A1 12/2012 Akiyama
 2013/0053657 A1 2/2013 Ziarno et al.
 2013/0156260 A1 6/2013 Craig
 2013/0162629 A1 6/2013 Huang et al.
 2013/0314544 A1 11/2013 Ban
 2013/0321564 A1 12/2013 Smith et al.
 2013/0342653 A1 12/2013 McCloskey
 2014/0032796 A1 1/2014 Krause
 2014/0047143 A1 2/2014 Bateman et al.
 2014/0049609 A1 2/2014 Wilson
 2014/0119604 A1 5/2014 Mai et al.
 2014/0168421 A1 6/2014 Xu et al.
 2014/0241387 A1 8/2014 Ortiz
 2014/0270387 A1 9/2014 Hoof et al.
 2014/0333726 A1 11/2014 Tokui et al.
 2014/0375635 A1 12/2014 Johnson et al.
 2015/0052029 A1 2/2015 Wu et al.
 2015/0120389 A1 4/2015 Zhang et al.
 2015/0154467 A1 6/2015 Feng et al.
 2015/0170371 A1 6/2015 Muninder et al.
 2015/0181198 A1 6/2015 Baele et al.
 2015/0228114 A1 8/2015 Shapira et al.
 2016/0012588 A1 1/2016 Taguchi et al.
 2016/0022181 A1 1/2016 Valsan et al.
 2016/0029102 A1 1/2016 Daily
 2016/0094763 A1 3/2016 Patel
 2016/0094829 A1 3/2016 Georgiev et al.
 2016/0142681 A1 5/2016 Yu
 2016/0261829 A1 9/2016 Olsson

OTHER PUBLICATIONS

Kyo-Tux, IconArchive, Device WebCam Icon, Phuzion Icon set, Dec. 15, 2015, 3 pgs.
 Drivers—Video Cam: Download Drivers for (Genius VideoCAM NB) Visual/Video Camera, Computer Question Help, Dec. 15, 2015, 2 pgs.
 TechAllianz, How to Pick the Right Webcam, Satyakam, Jan. 22, 2013, 4 pgs.
 Input Devices on Pinterest, Computers, Mice and Apples, Tanna Darty, Dec. 15, 2015, 1 pg.
 Logi Circle: Portable Home Surveillance Camera from Logitech (video), AppleApple.Top World News, Feb. 10, 2015, 5 pgs.
 Ebay, New Smallest Mini Camera Camcorder Video Recorder DVR Spy Hidden Pinhole Web Cam, Dec. 2, 2015, 4 pgs.
 SIV AI-Ball Very Small Hidden IP Network Camera Battery Powered Wireless IP Camera, Alibaba.com, 1999-2015, 7 pgs.
 TREK Ai-Ball Mini WiFi Spy Cam IP Wireless Camera for Iphone / Android /Ipad, Tmart, www.tmart.com, Dec. 18, 2015, 6 pgs.
 Restore.Solutions, Numus Software, USB/VID, Syntek Web Cam Device Drivers, Dec. 15, 2015, 10 pgs.
 Ebay, Belkin F7D7601AU, Net Cam IP WIFI Baby Pet Monitor Camera Security Night Vision, Dec. 15, 2015, 5 pgs.
 John Lewis, Samsung SEB-1019RW Add-On Night Vision Baby Monitor Camera, Dec. 15, 2015, 2 pgs.
 Ion Camera, The Home Pro Wi-Fi Wireless Cloud Video Monitoring Security Camera (Black): Camera & Photo, Dec. 15, 2015, 6 pgs.
 Linksys Wireless-N Internet Home Monitoring Camera: Home Security Systems: Camera & Photo, Amazon.com, Dec. 15, 2015, 7 pgs.
 Ebay, Motorola, MBP421 Digital Video & Sound Rechargeable Baby Monitor 1.8" LCD Screen, Dec. 15, 2015, 5 pgs.
 720p TF Card IP Wireless Camera Indoor Built-In Microphone Support Two Way Intercom for Smart Home Life and Unique PIR Alarm, Dec. 18, 2015, 3 pgs.
 0308 Brand USB 2.0 HD Night Vision Webcam Web Cam Camera Webcamera With Microphone Sucker Stand for PC Computer Laptop Notebook, Dec. 18, 2015, 13 pgs.
 Goods in Stock PC Camera USB Plug and Play Free Driver Digital Webcam Stand Web Camera, Dec. 18, 2015, 12 pgs.
 Buy Svb Ladybird Tripod Webcam 4 Mega Pixel—4 Megapixel Web Cam Online, Best Prices in India: Rediff Shopping, Dec. 16, 2015, 3 pgs.

Ebay, Lot of 2 USB WebCam Web Cam Camera Logitech Quickcam HP Hewlett Packard, Dec. 16, 2015, 3 pgs.
 Mini Universal Tripod Stand for Digital Camera and Webcam A33-in Tripods from Consumer Electronics on Aliexpress.com, Alibaba Group, Store: Angel One-Stop Shopping Center, Dec. 16, 2015, 3 pgs.
 Tripod Support for a QuickCam (or other webcam), Instructables, 2015, 3 pgs.
 Web Camera 6 Stock Photo, Dreamstime, Dec. 16, 2015, 2 pgs.
 Joel Johnson, Glowdoodle Turns Your Crappy Webcam in a Crappier Webcam (in a good way), webcam—Boing Boing, Dec. 16, 2015, 8 pgs.
 Adipranata, Fast method for multiple human face segmentation in color image, 2008 Second Int'l Conference on Future Generation Communication and Networking, IEEE, 2008, 4 pgs.
 Heo, Fusion of visual and thermal face recognition techniques: A comparative study. Univ. of Tennessee, Knoxville, TN, 2003, 75 pgs.
 FabulaTech, What is USB for Remote Desktop, Dec. 12, 2011, 2 pgs, <http://web.archive.org/web/20111212070644/http://www.usb-over-network.com/usb-for-remote-desktop.html>.
 FabulaTech, What is USB over Network, Dec. 17, 2011, 2 pgs, <http://web.archive.org/web/20111217080253/http://www.usb-over-network.com/usb-over-network.html>.
 Parent, Android USB Port Forwarding, Dec. 26, 2011, 7 pgs, <http://www.codeproject.com/Articles/191930/Android-Usb-Port-Forwarding>.
 Silberman, Indoor Segmentation and Support Inference from RGBD Images, Computer Vision—ECCV 2012, Springer Berlin Heidelberg, Oct. 2012, pp. 746-780.
 USB/IP Project, USB Request Over IP Network, Dec. 27, 2011, 5 pgs, <http://web.archive.org/web/20111227171215/http://usbip.sourceforge.net/>.
 Hampapur, Smart surveillance: applications, technologies and implications, Information Communications and Signal Processing 2, 2003, pp. 1133-1138.

* cited by examiner

Primary Examiner — Philip S Hyder
Assistant Examiner — Ramzi Almatrahi
 (74) *Attorney, Agent, or Firm* — Morgan, Lewis & Bockius LLP

(57) **CLAIM**

The ornamental design for a camera stand, as shown and described.

DESCRIPTION

The present application is also related to U.S. patent application Ser. No. 29/549,992, filed on Dec. 29, 2015, titled "Video Camera," and U.S. patent application Ser. No. 29/549,995, filed on Dec. 29, 2015, titled "Camera Stand," each of which is hereby incorporated by reference in its entirety.

FIG. 1 is a front perspective view of a camera stand showing the new design.

FIG. 2 is a rear view of the camera stand shown in FIG. 1.

FIG. 3 is a left view of the camera stand shown in FIG. 1.

FIG. 4 is a top view of the camera stand shown in FIG. 1.

FIG. 5 is a bottom view of the camera stand shown in FIG. 1.

FIG. 6 is a front perspective view of a camera stand, shown with a video camera disclosed in broken lines to illustrate an environment.

FIG. 7 is a front view of the camera stand shown in FIG. 6.

FIG. 8 is a rear view of the camera stand shown in FIG. 6.

FIG. 9 is a left view of the camera stand shown in FIG. 6.

FIG. 10 is a top view of the camera stand shown in FIG. 6.
FIG. 11 is a bottom view of the camera stand shown in FIG. 6.

6.

FIG. 12 is a front perspective view of a camera stand, shown with a tripod and a video camera disclosed in broken lines to illustrate an environment.

FIG. 13 is a front view of the camera stand shown in FIG. 12.

FIG. 14 is a rear view of the camera stand shown in FIG. 12.

FIG. 15 is a top view of the camera stand shown in FIG. 12; and,

FIG. 16 is a left view of the camera stand shown in FIG. 12.

The broken lines depicting portions of a camera stand in the above described figures form no part of the claimed design.

The broken lines showing a camera in FIGS. 6-11 and the broken lines showing a camera and a tripod in FIGS. 12-16 represent environmental structures that form no part of the claimed design.

1 Claim, 11 Drawing Sheets

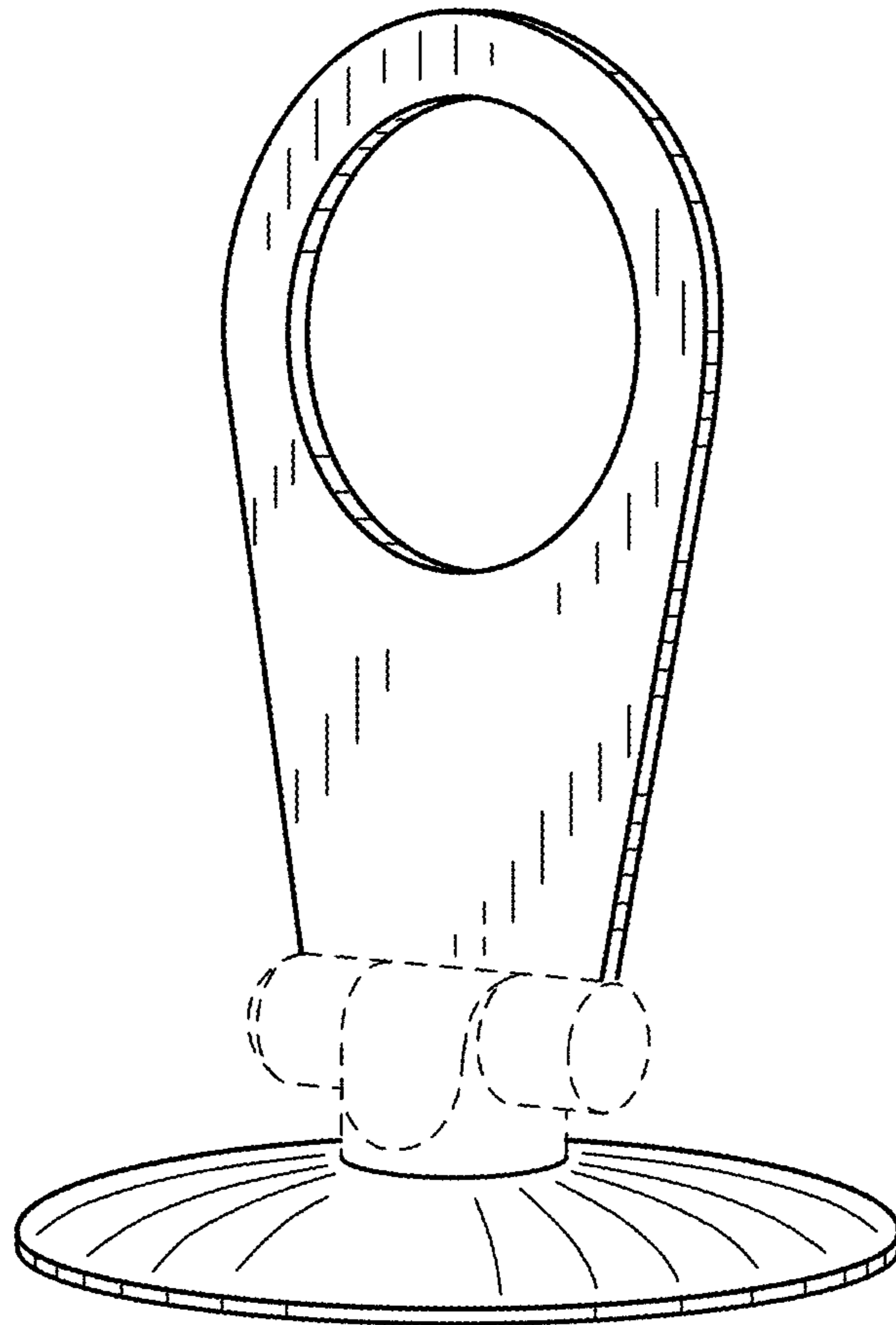


FIG. 1

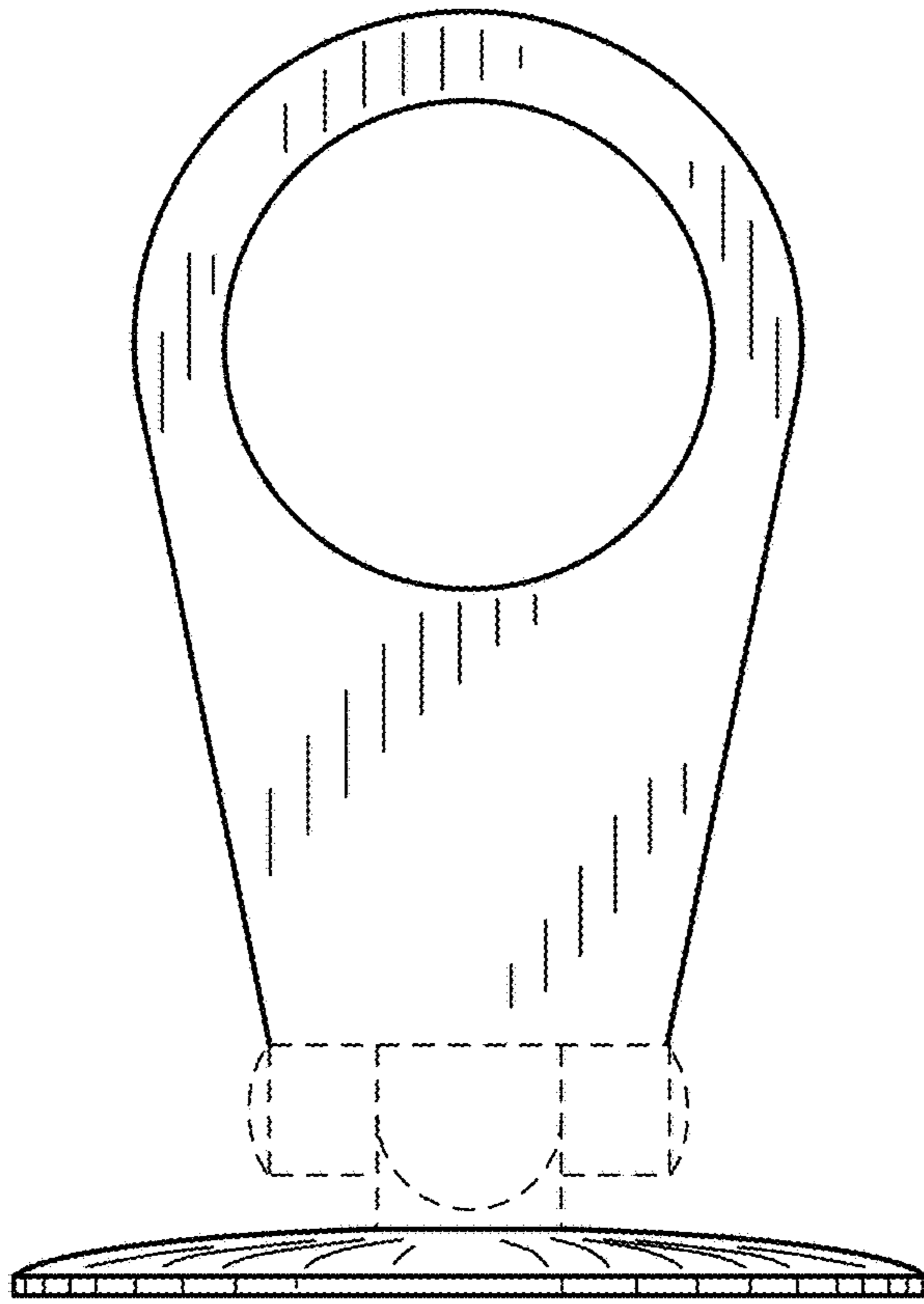


FIG. 2

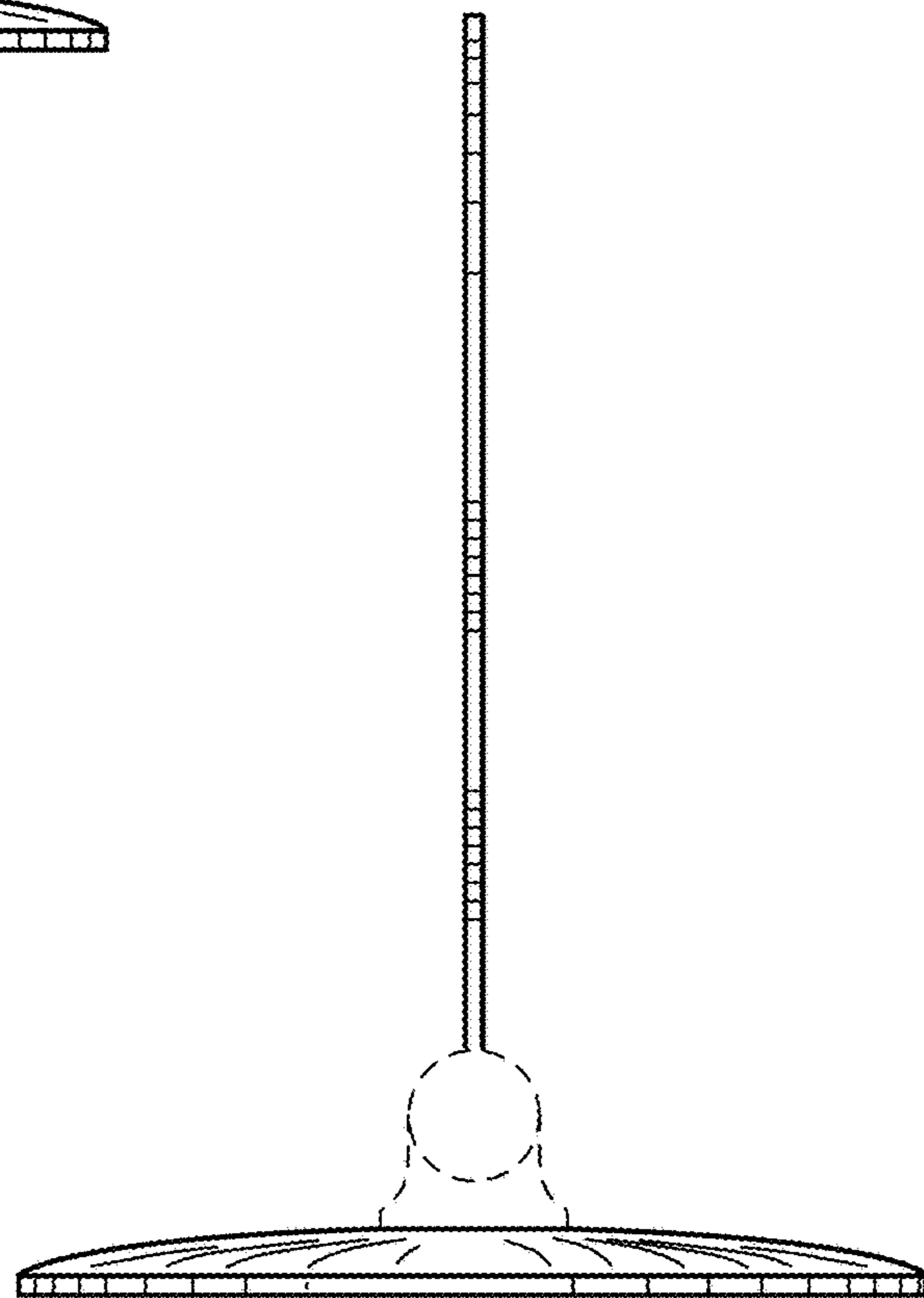


FIG. 3

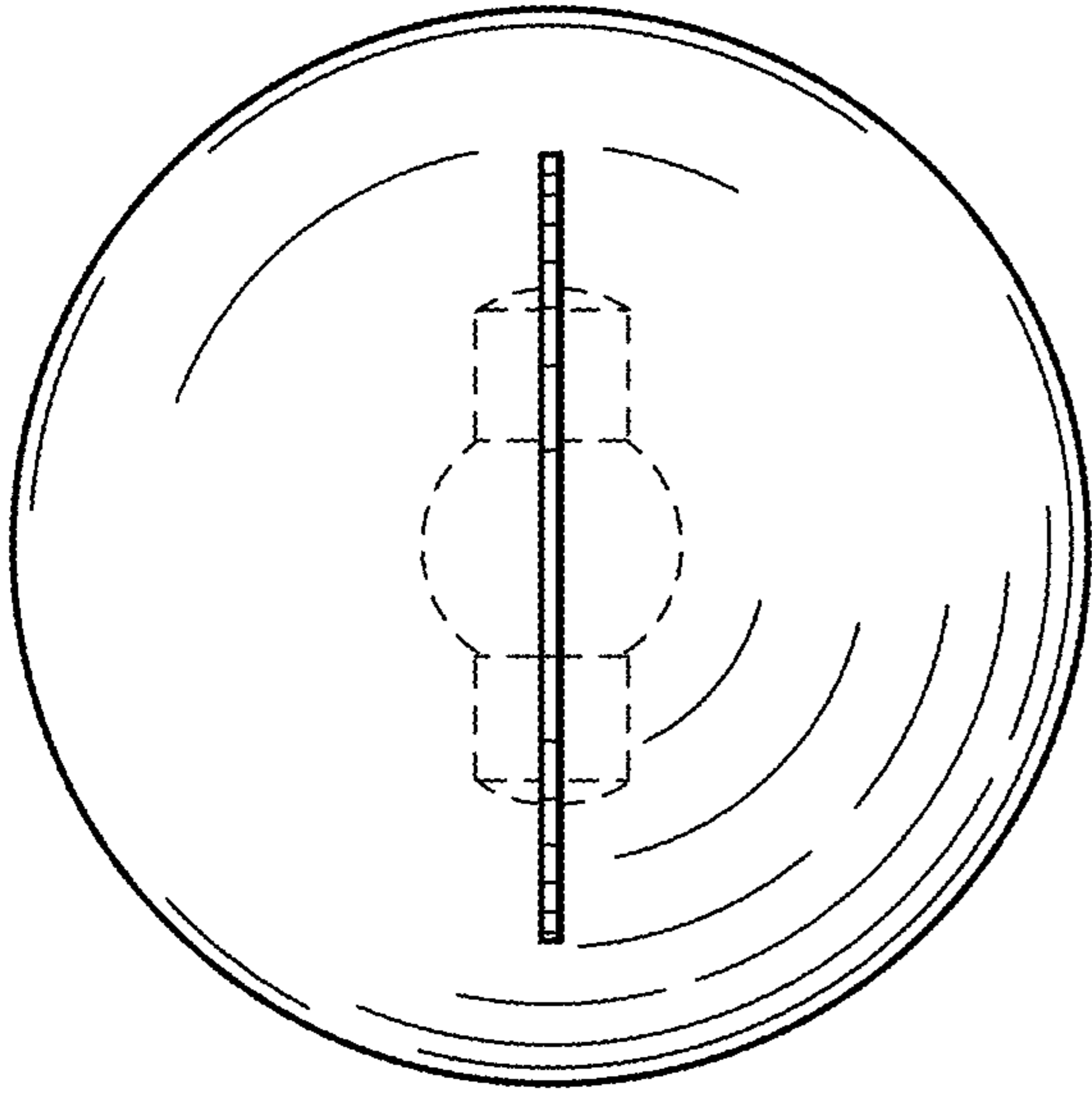


FIG. 4

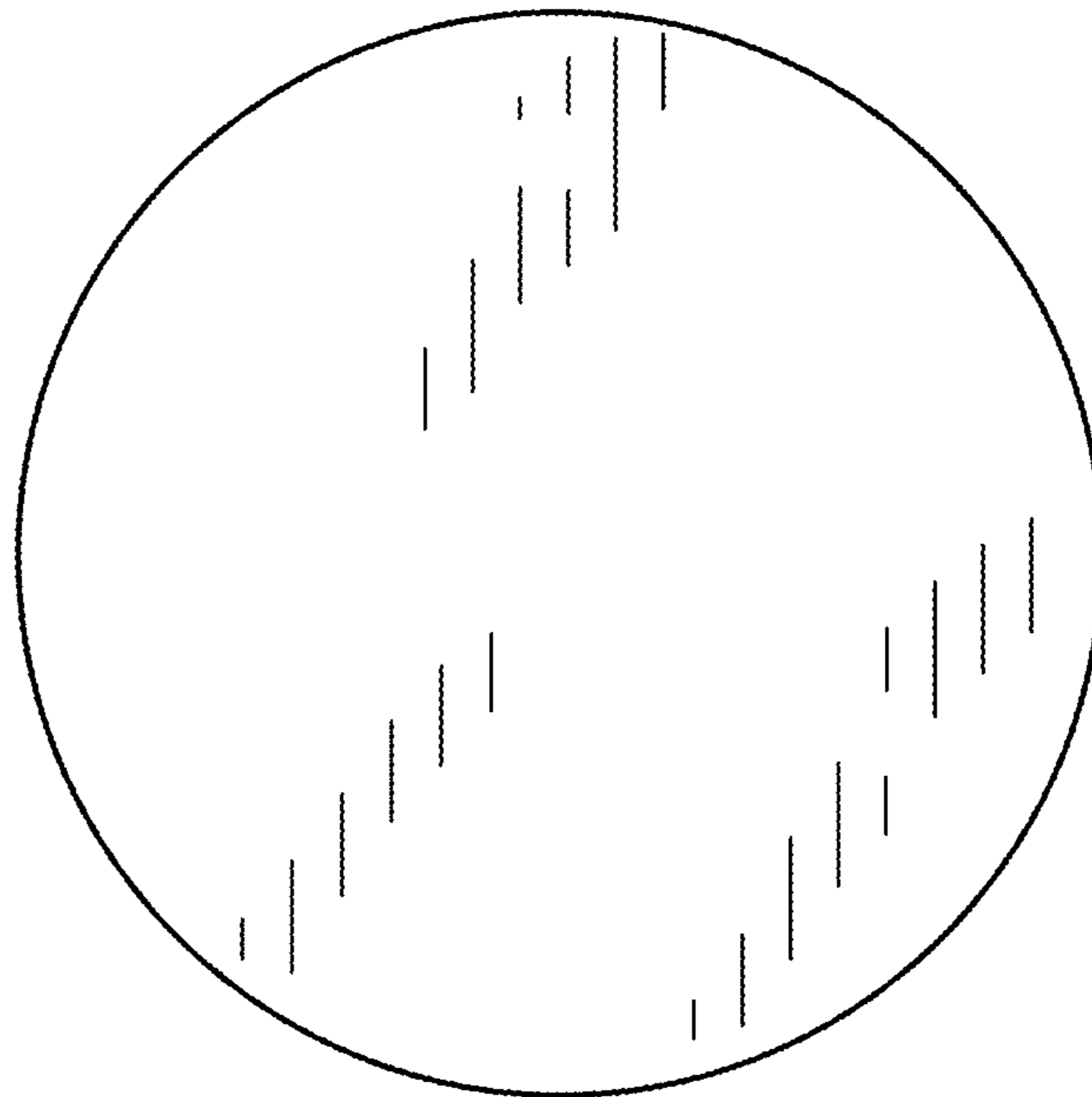


FIG. 5

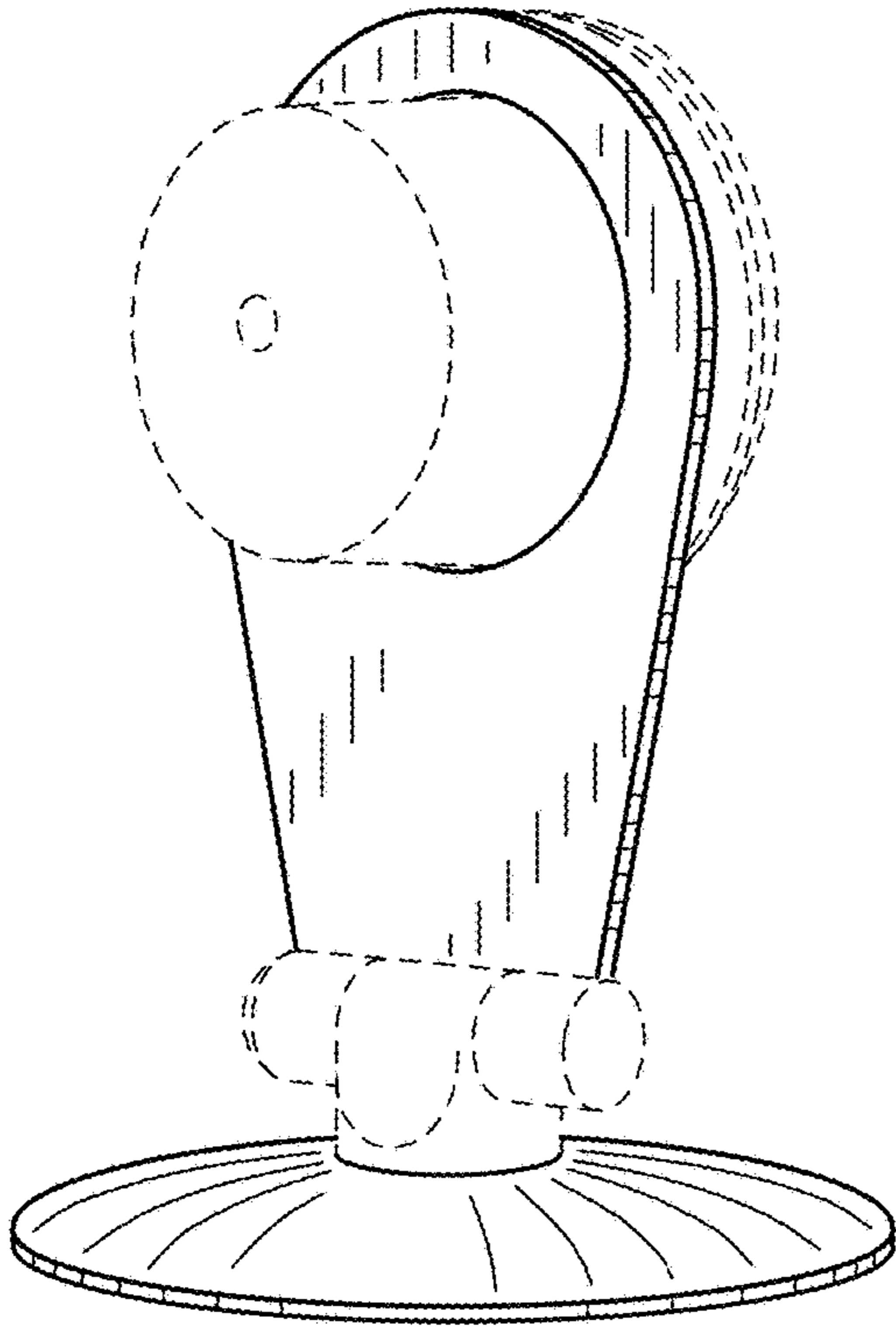


FIG. 6

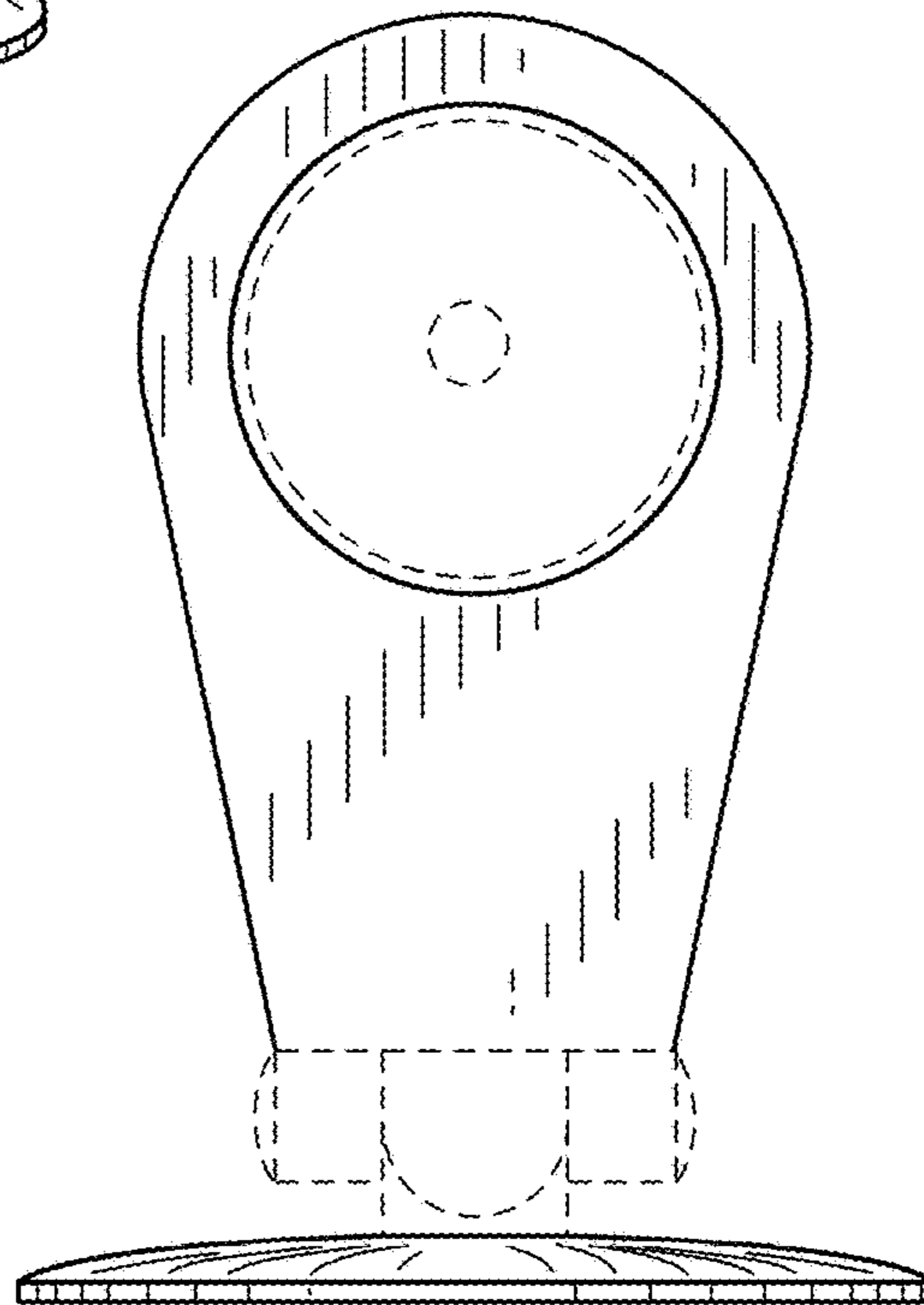


FIG. 7

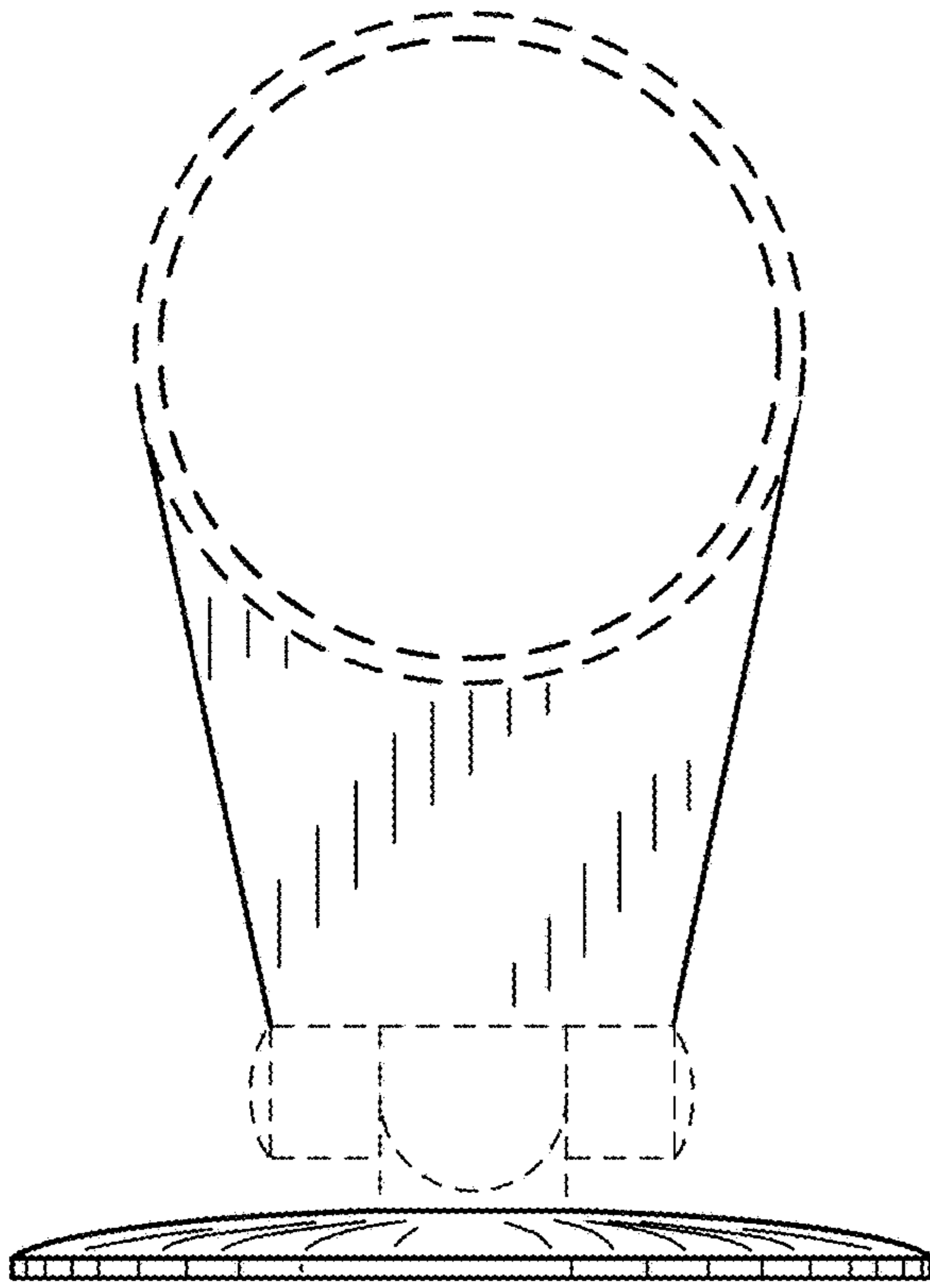


FIG. 8

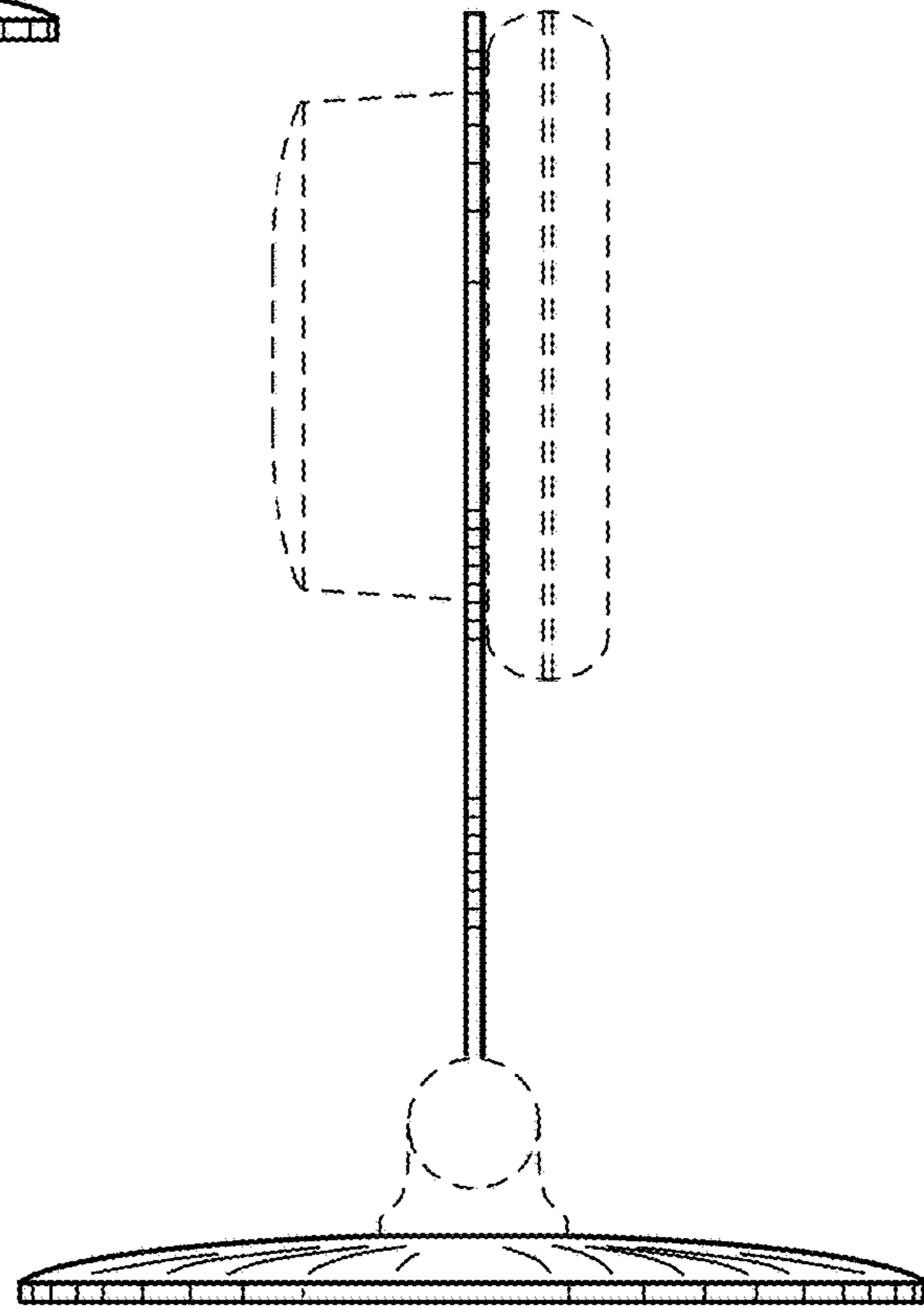


FIG. 9

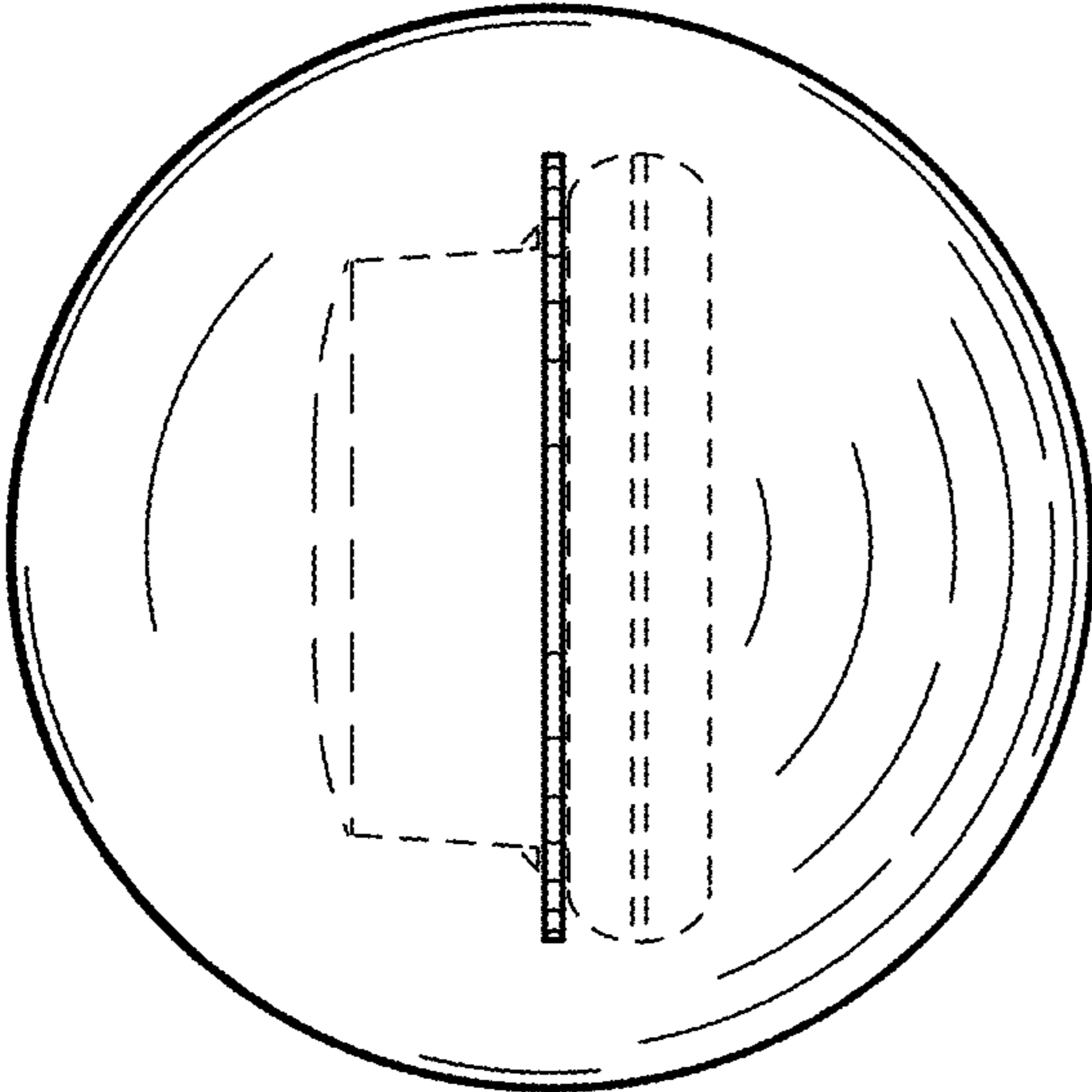


FIG. 10

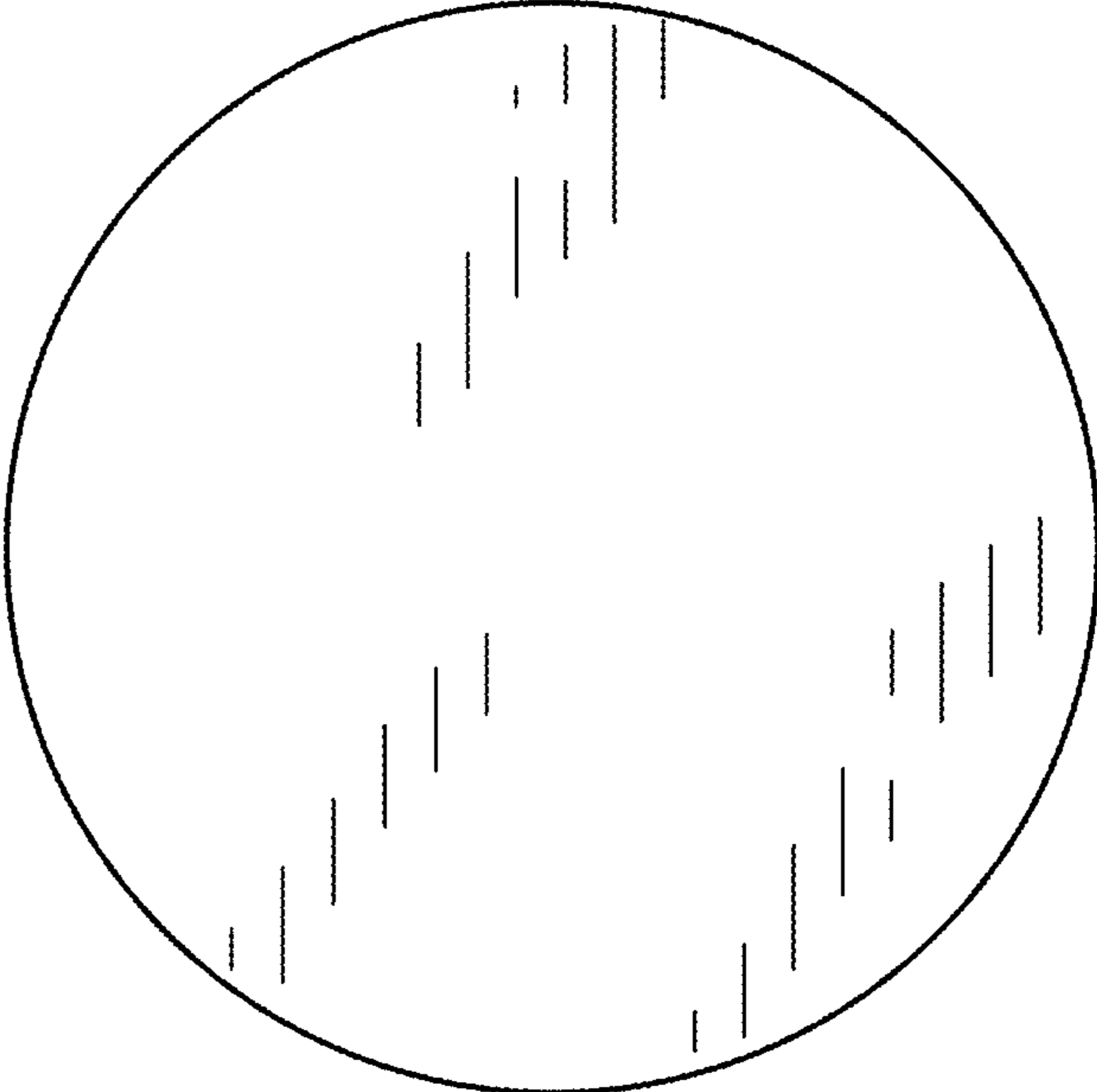


FIG. 11

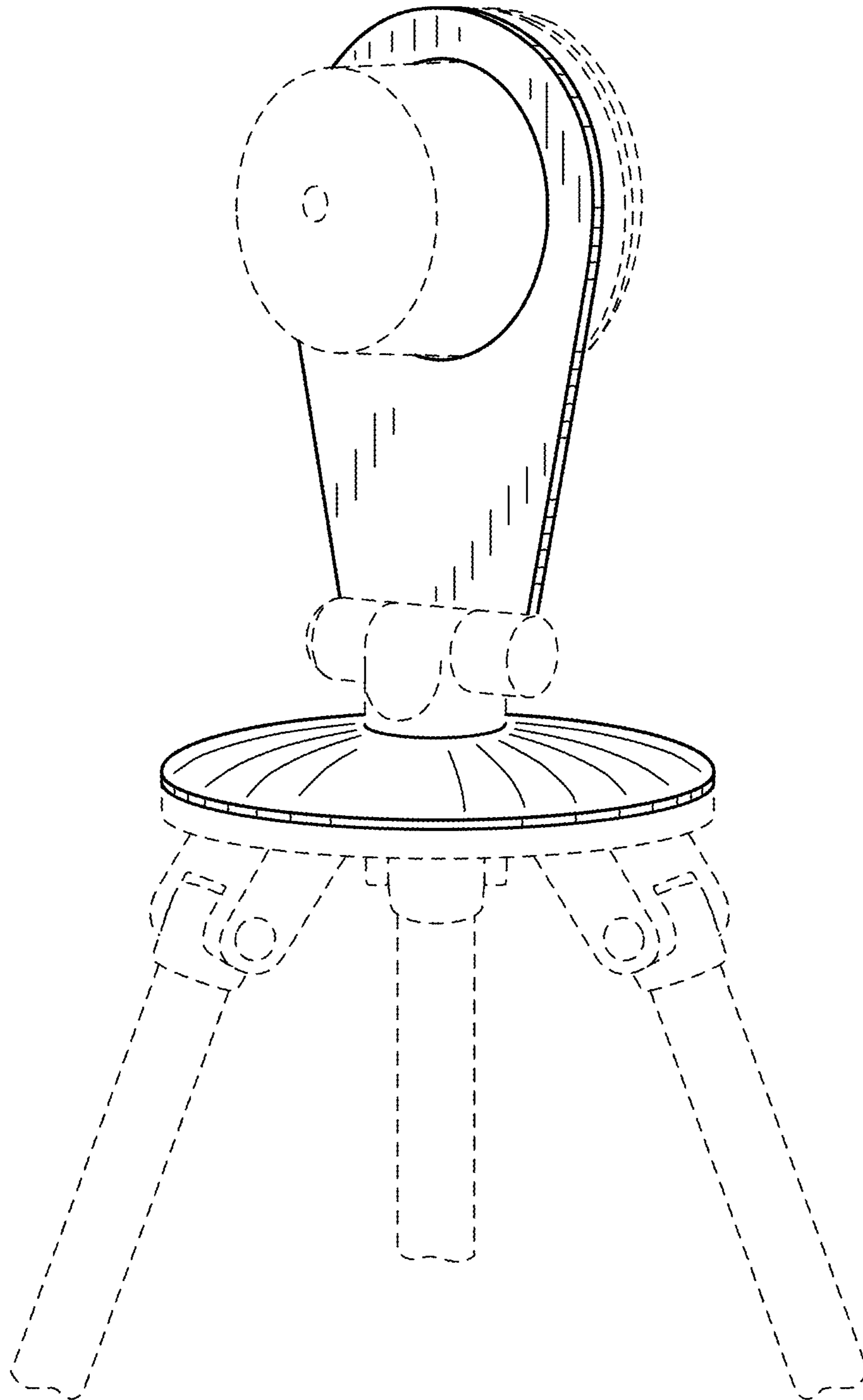


FIG. 12

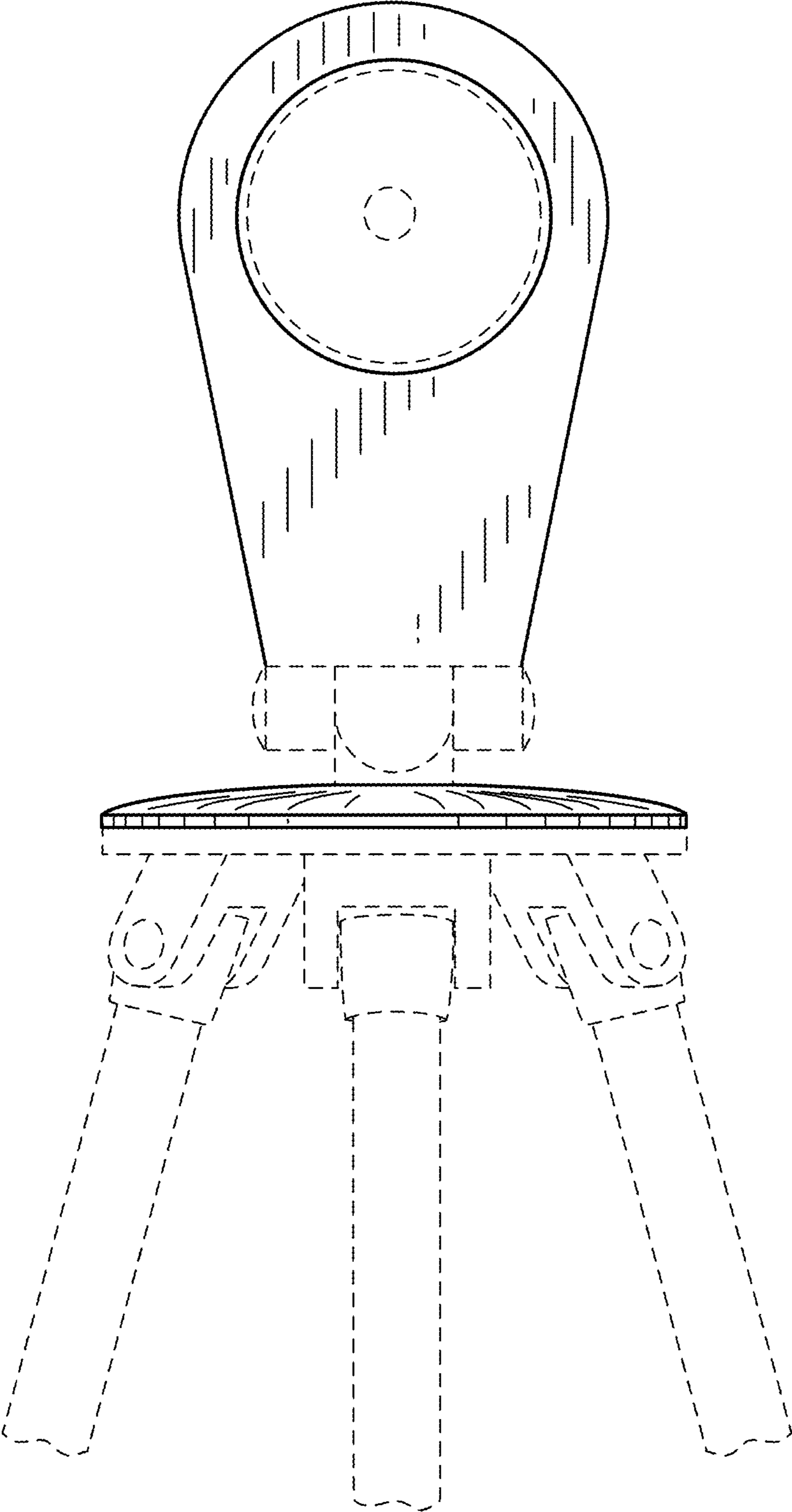


FIG. 13

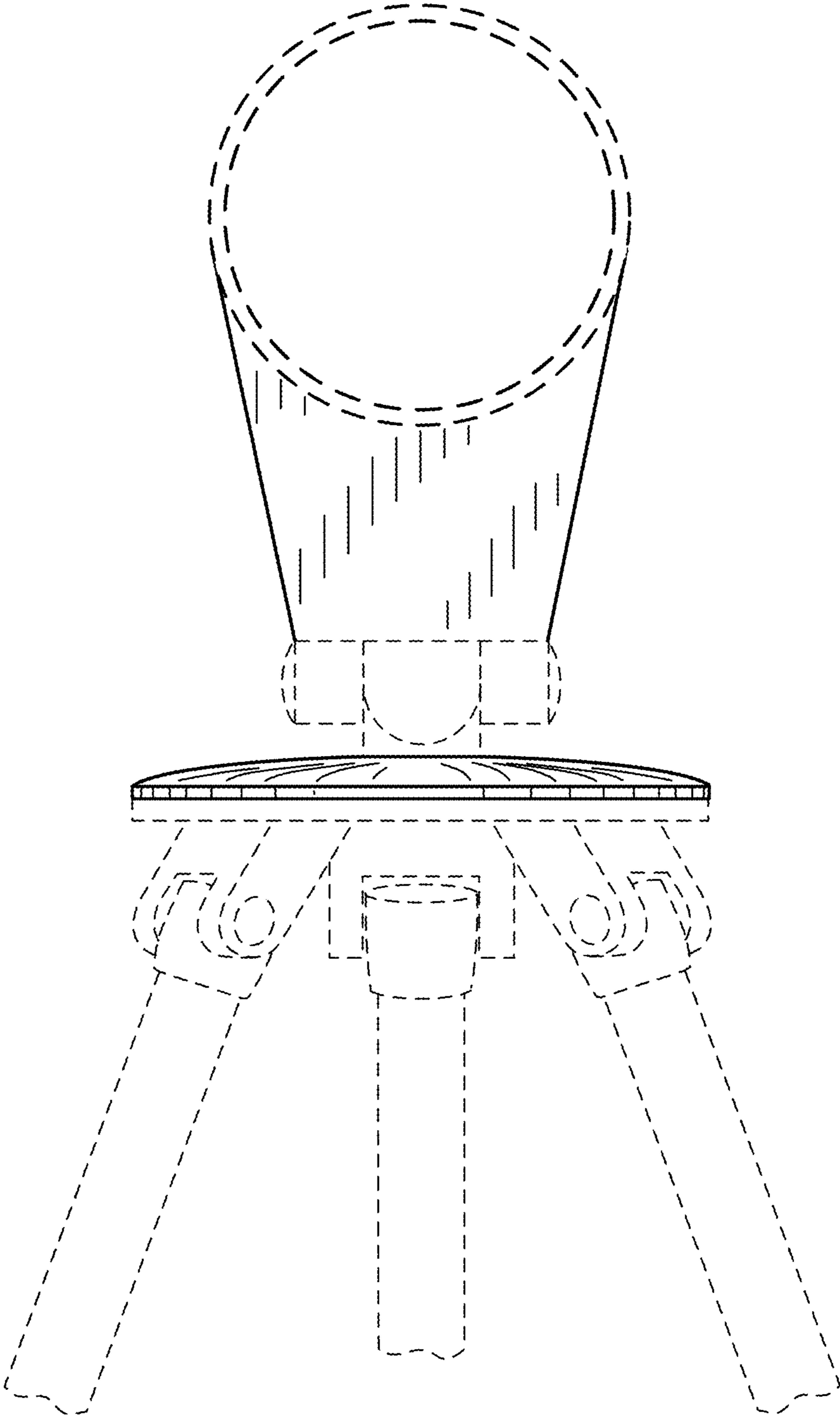


FIG. 14

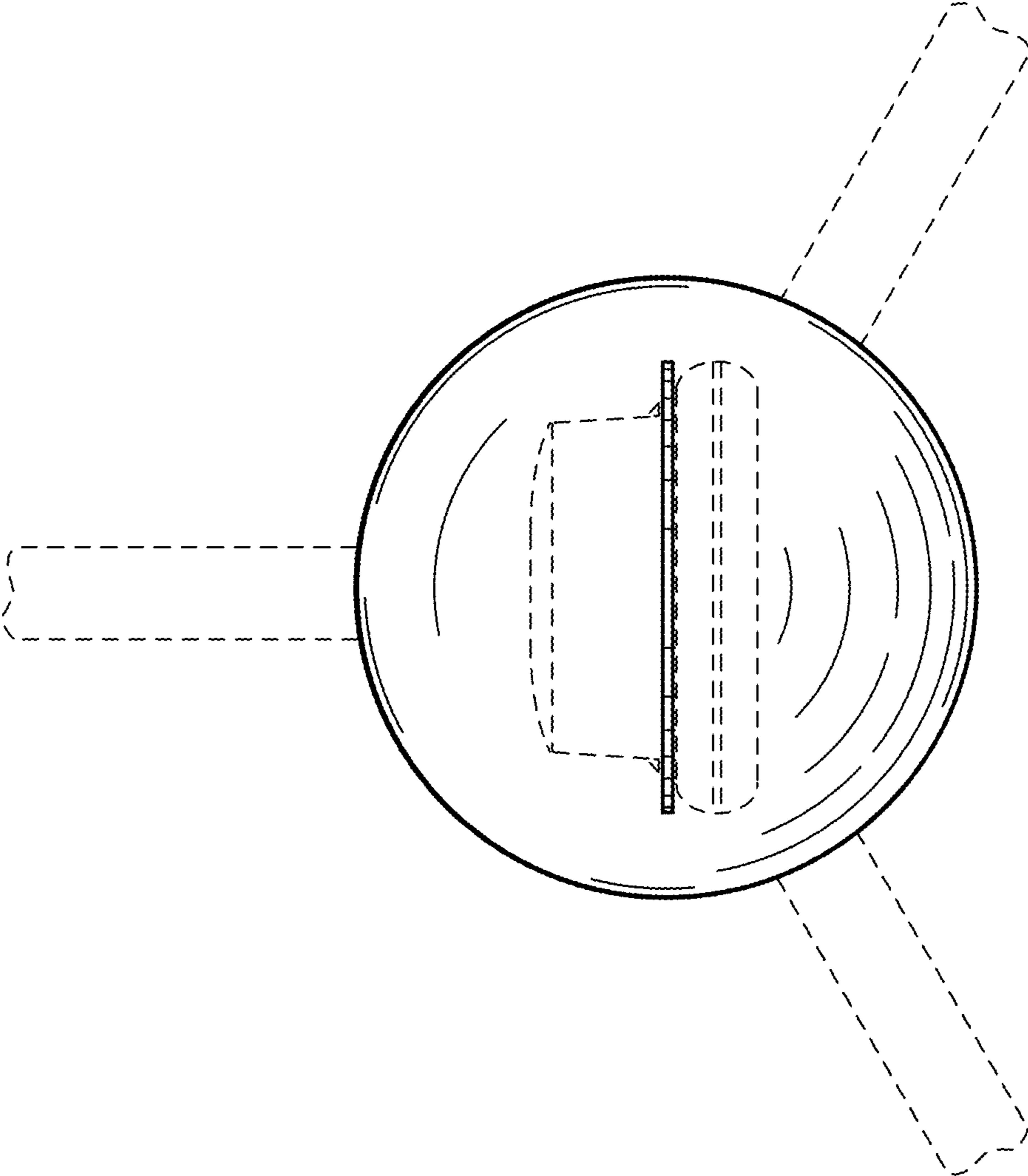


FIG. 15

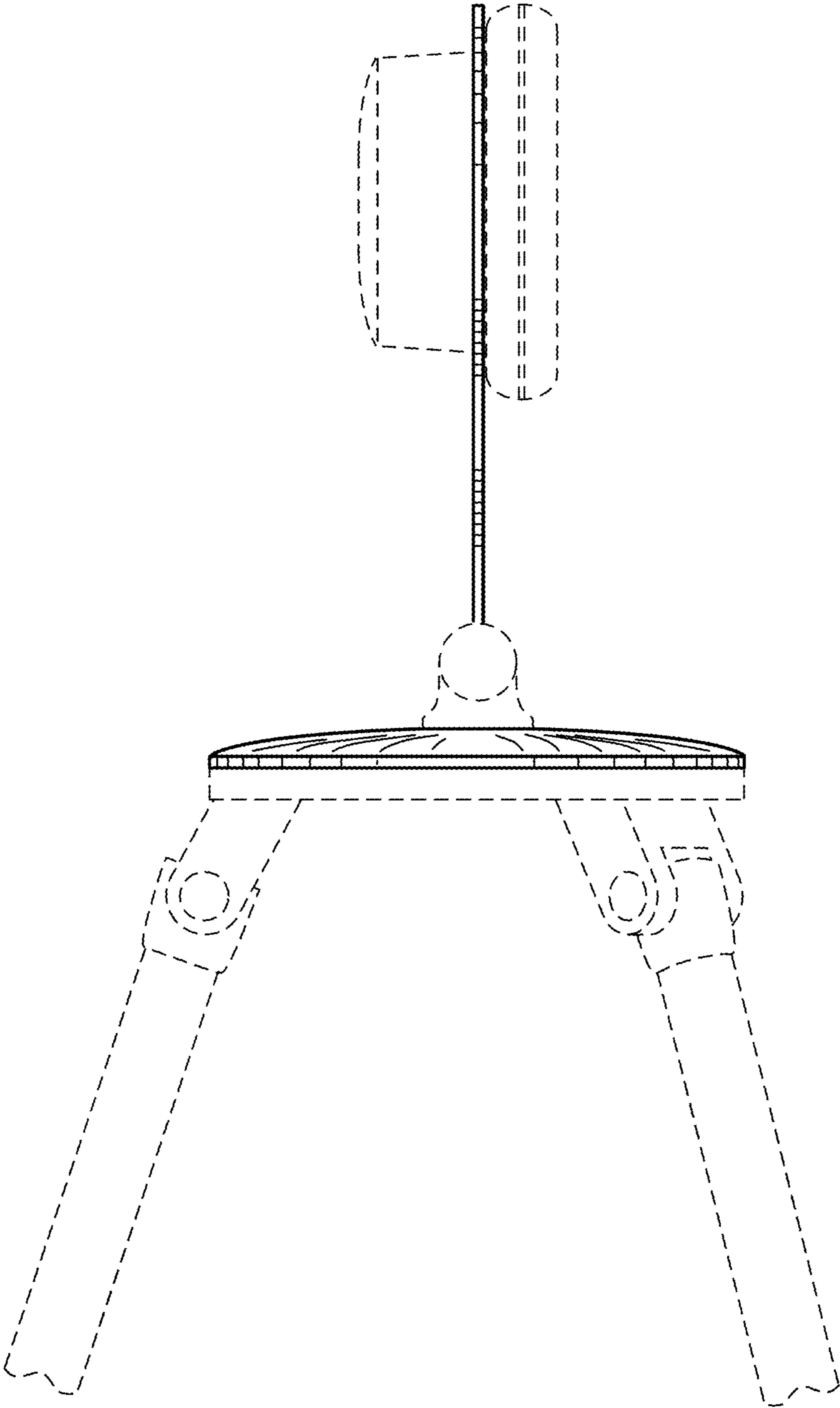


FIG. 16