



US00D812123S

(12) **United States Design Patent**
Shioguchi

(10) **Patent No.:** **US D812,123 S**
(45) **Date of Patent:** **** Mar. 6, 2018**

(54) **CAMERA WITH PROJECTOR**
(71) Applicant: **CLARION CO., LTD.**, Saitama (JP)
(72) Inventor: **Takuma Shioguchi**, Saitama (JP)
(73) Assignee: **CLARION CO., LTD.**, Saitama (JP)
(**) Term: **15 Years**

D626,580 S * 11/2010 Tzeng D16/202
D628,223 S * 11/2010 Kao D16/202
D700,232 S * 2/2014 Ramsay D16/207
D704,240 S * 5/2014 McBride D16/203
D705,844 S * 5/2014 Bart D16/203
D731,579 S * 6/2015 Bart D16/203
D741,931 S * 10/2015 Huang D16/202
D743,475 S * 11/2015 Cover D16/203
2005/0247845 A1 * 11/2005 Li F16M 11/14
248/346.5

(21) Appl. No.: **29/550,247**
(22) Filed: **Dec. 31, 2015**

* cited by examiner

Primary Examiner — Philip S Hyder
Assistant Examiner — Ramzi S Almatrahi
(74) *Attorney, Agent, or Firm* — McDermott Will & Emery LLP

(30) **Foreign Application Priority Data**
Jul. 6, 2015 (JP) 2015-014956
(51) **LOC (11) Cl.** **16-01**
(52) **U.S. Cl.**
USPC **D16/218**; D16/221
(58) **Field of Classification Search**
USPC D16/200, 202–206, 208–209, 218, 219,
D16/221, 230; 348/373–376; 396/535,
396/539–541
CPC G03B 15/03; G03B 17/02; G03B 17/04;
G03B 17/56; G03B 19/04; H04N 5/2251;
H04N 5/2252; H04N 5/2253; H04N
5/2254; H04N 2101/00
See application file for complete search history.

(57) **CLAIM**

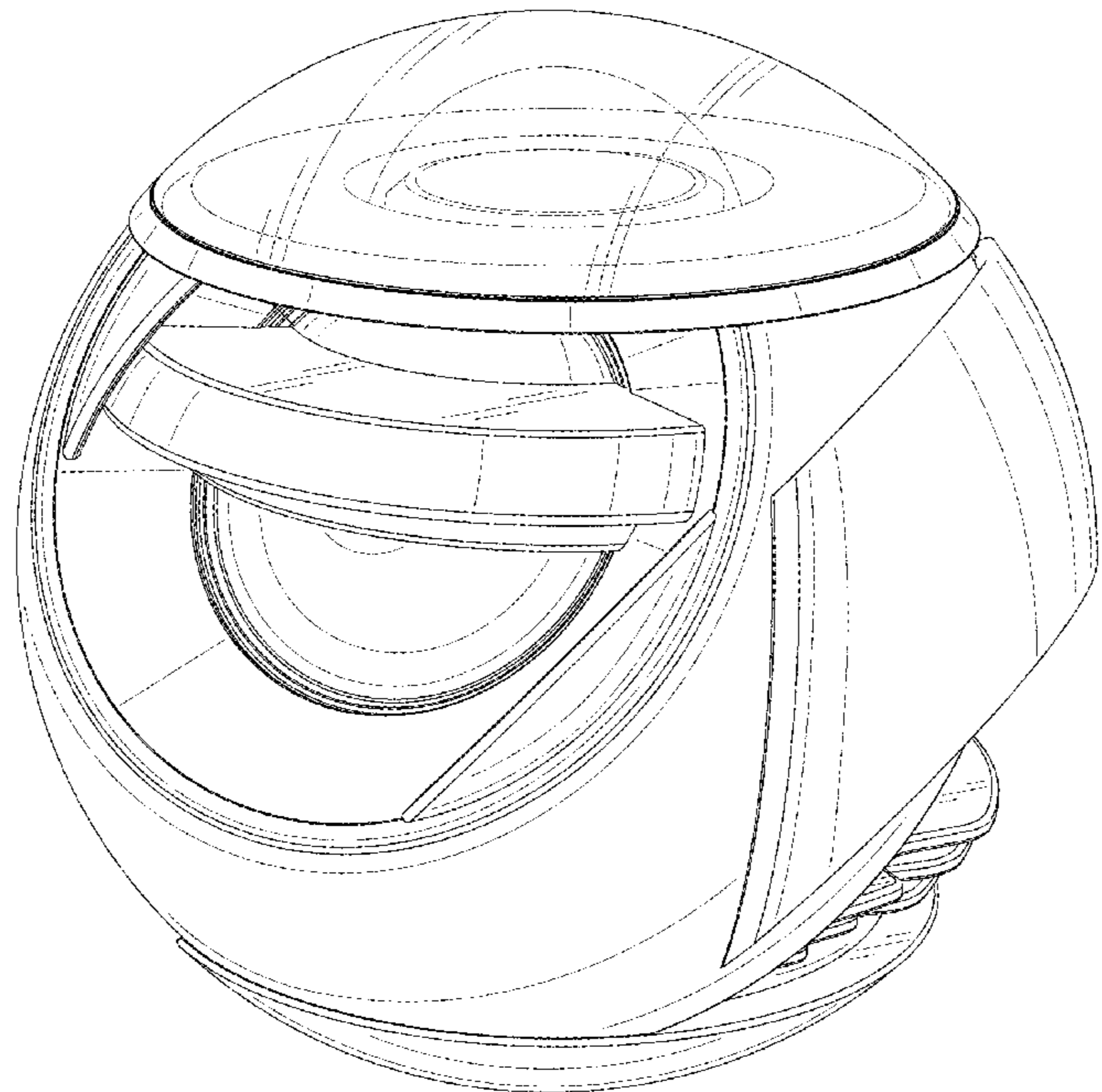
The ornamental design for a camera with projector, as shown and described.

DESCRIPTION

FIG. 1 is a front view of a camera with projector showing my new design;
FIG. 2 is a rear view thereof;
FIG. 3 is a top view thereof;
FIG. 4 is a bottom view thereof;
FIG. 5 is a left-side view thereof;
FIG. 6 is a right-side view thereof;
FIG. 7 is a perspective view thereof; and,
FIG. 8 is an exploded perspective view thereof.
The broken lines depict portions of a camera with projector in which the design is embodied that form no part of the claimed design.

(56) **References Cited**
U.S. PATENT DOCUMENTS
D516,105 S * 2/2006 Bradley D16/202
D552,649 S * 10/2007 Logan D16/200
D554,682 S * 11/2007 Martinez D16/203
7,724,302 B2 * 5/2010 Yu H04N 1/00519
348/373

1 Claim, 8 Drawing Sheets



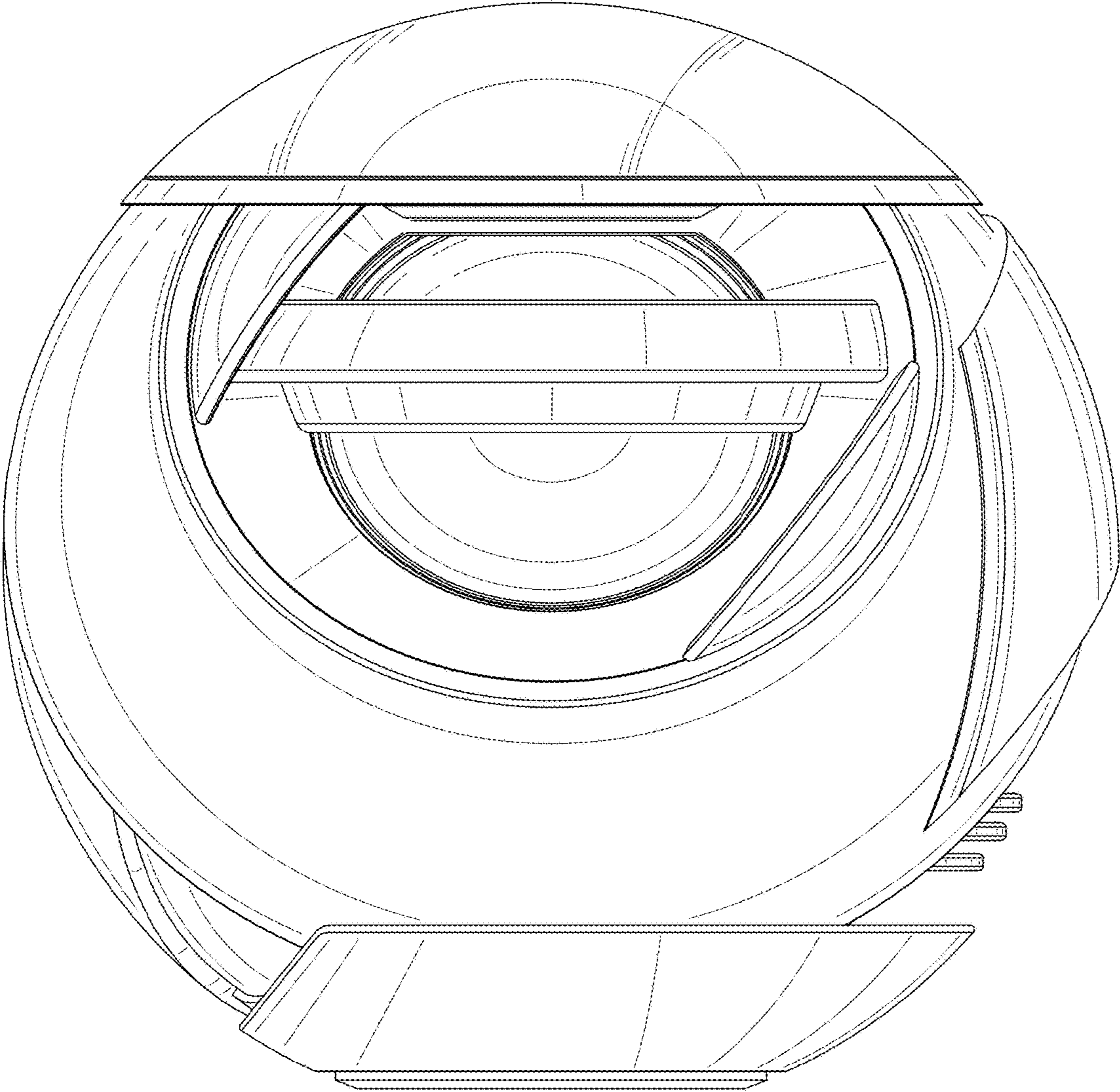


FIG. 1

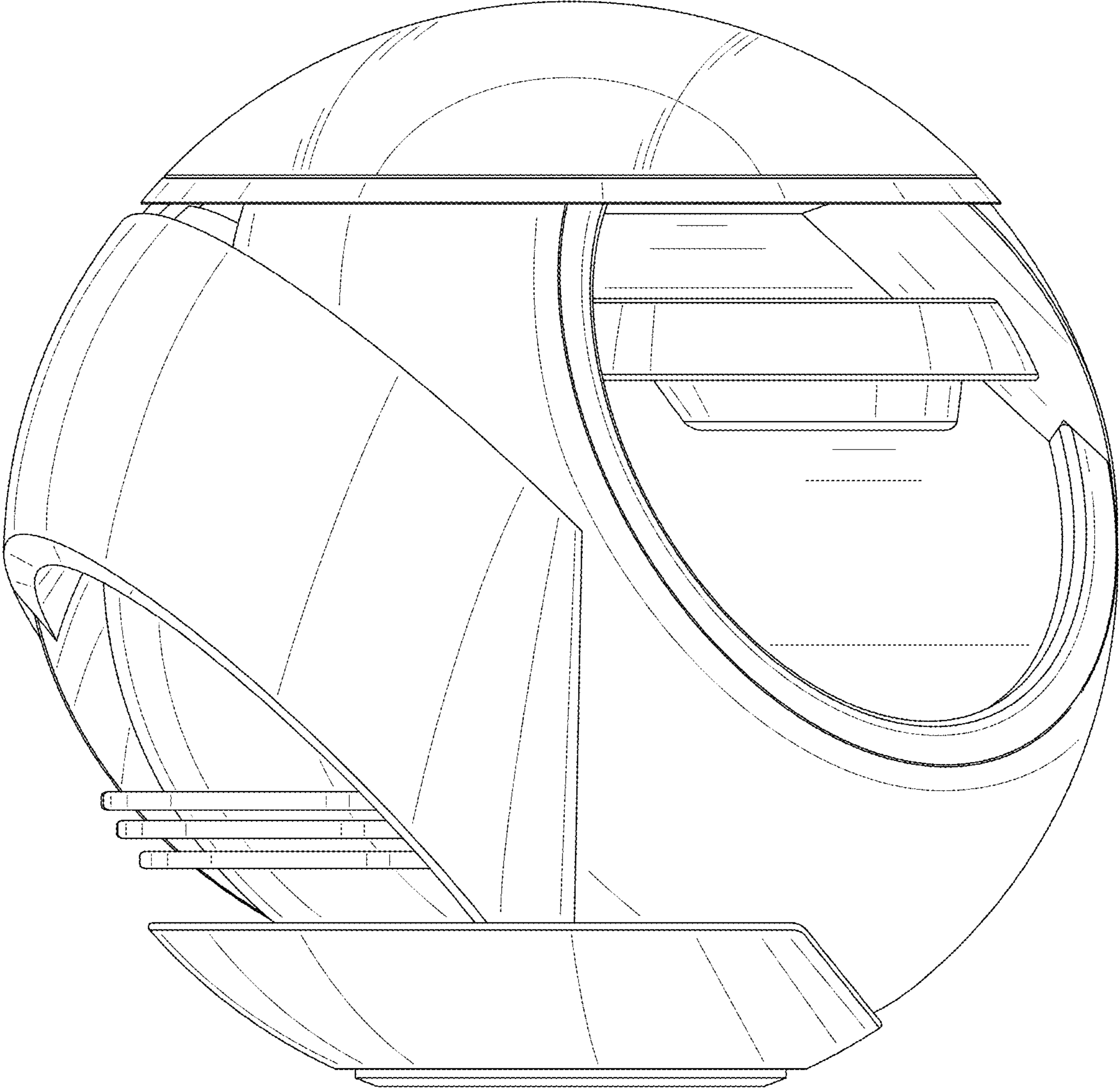


FIG. 2

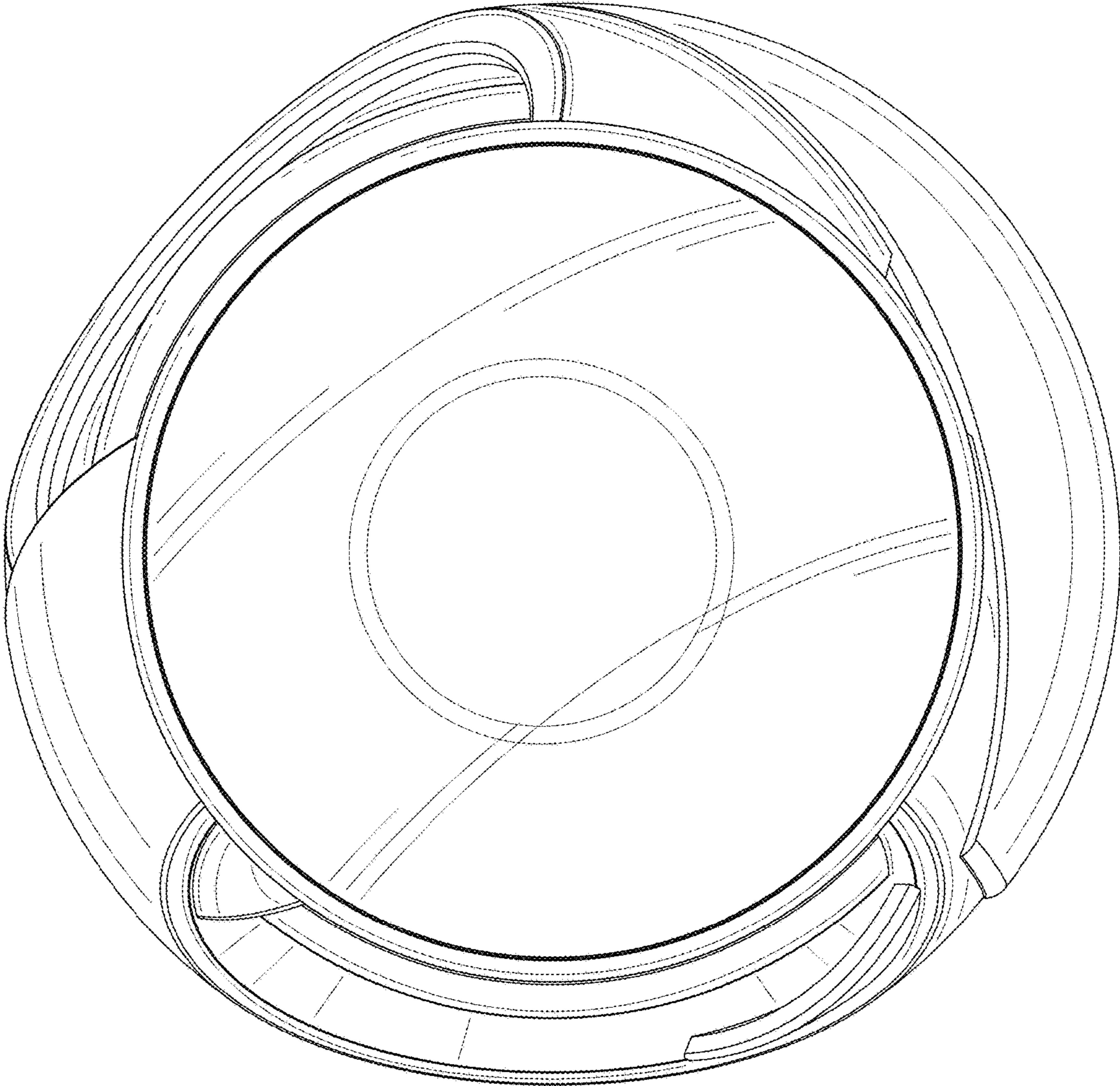


FIG. 3

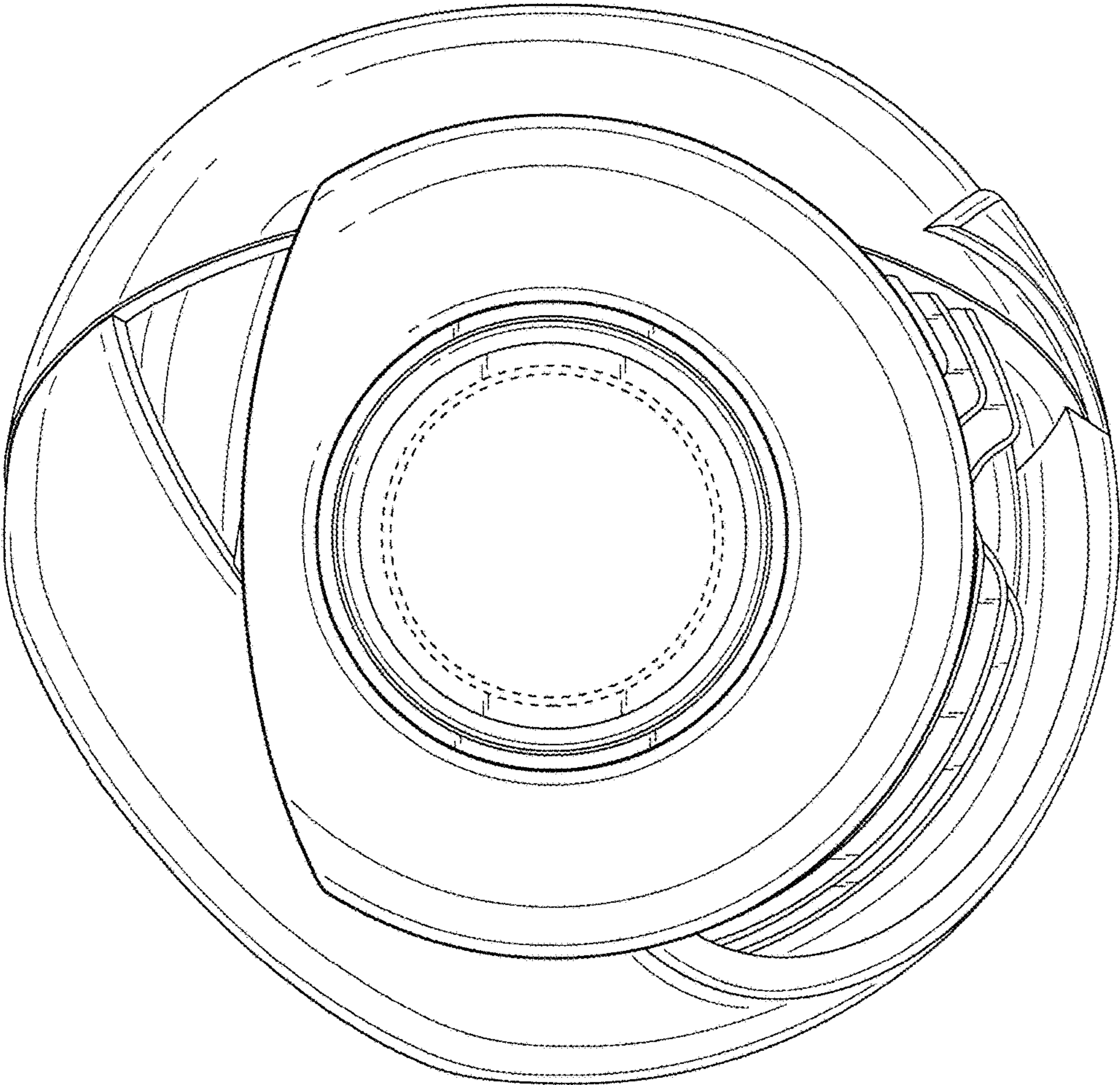


FIG. 4

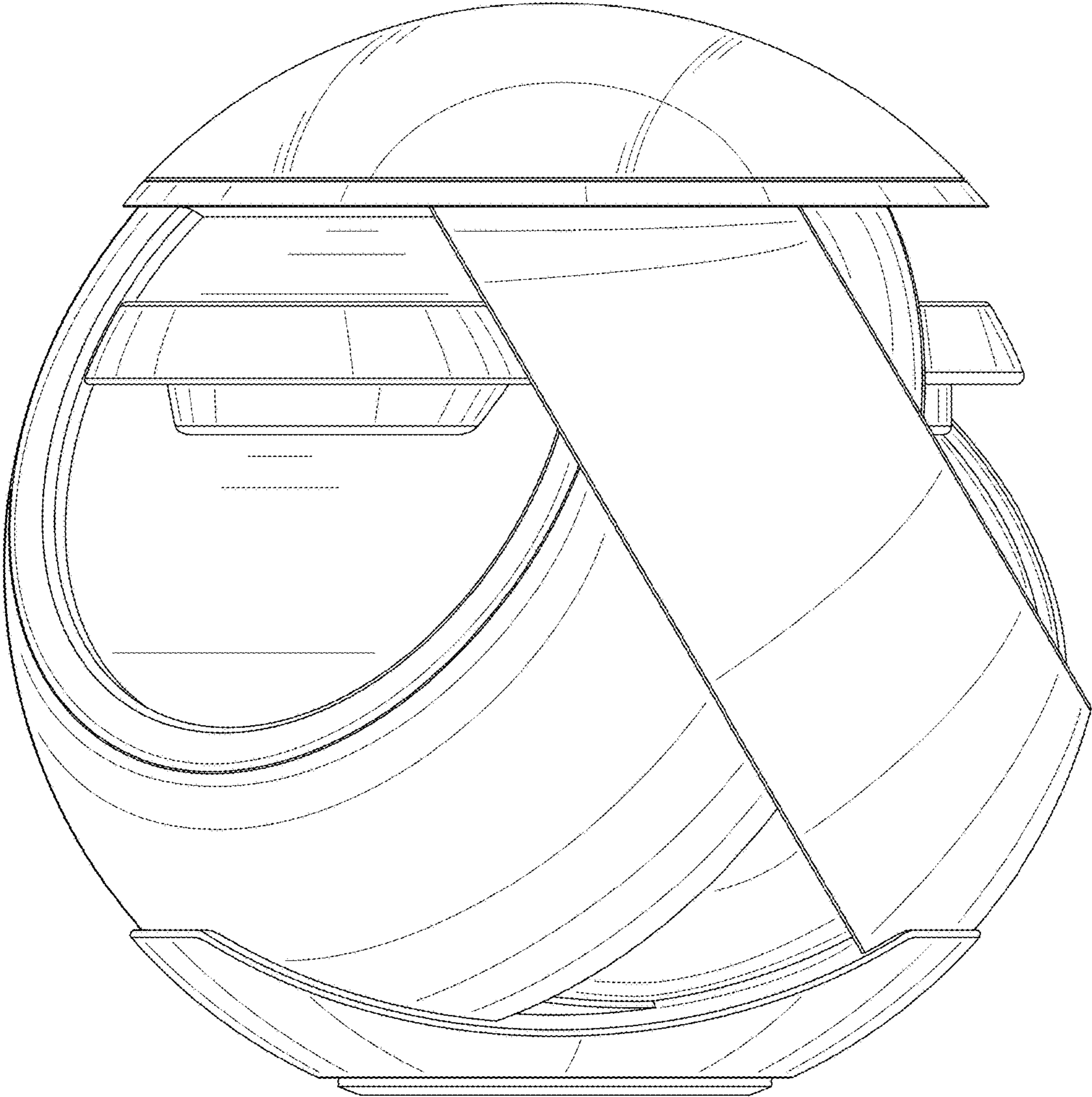


FIG. 5

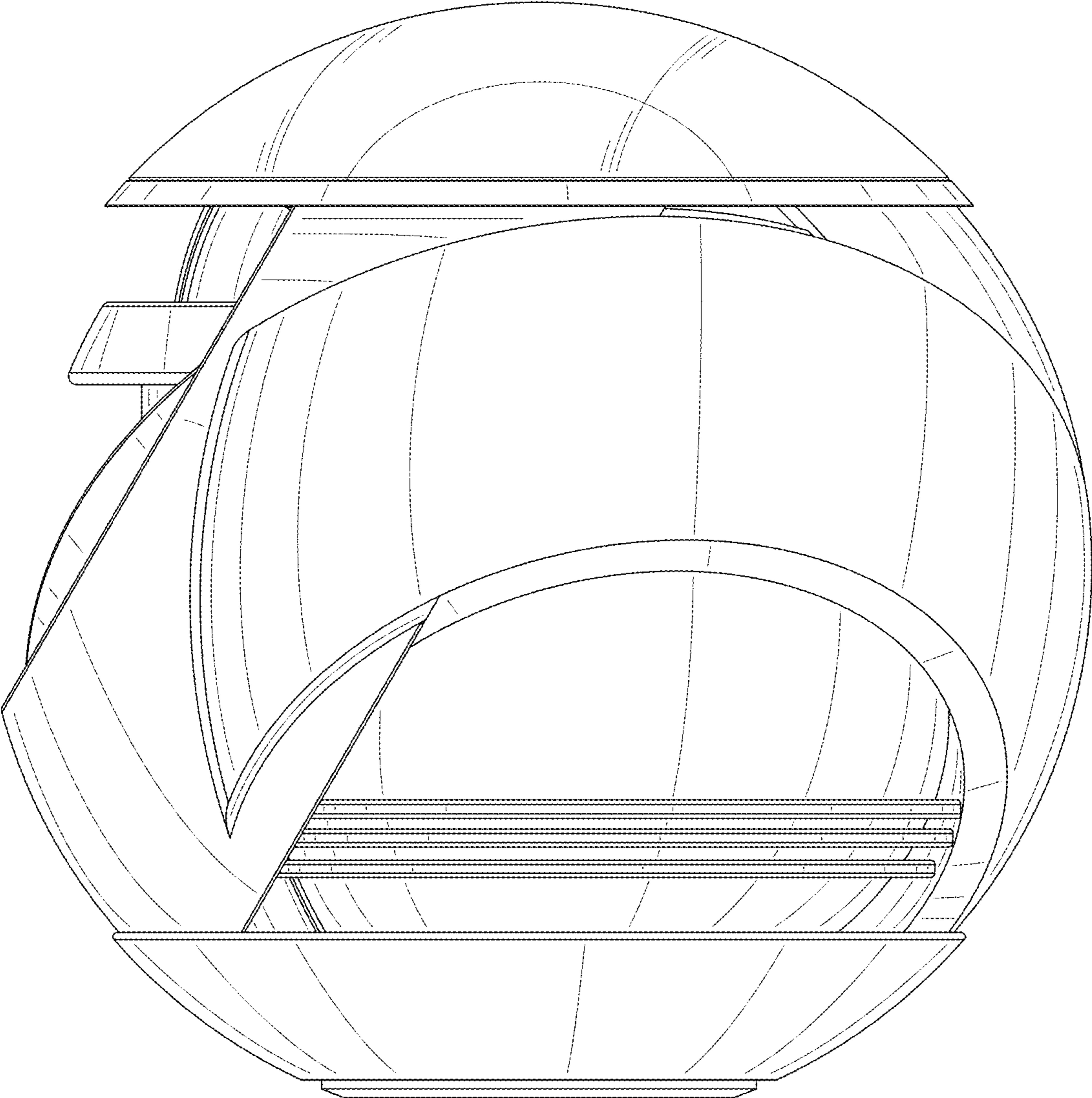


FIG. 6

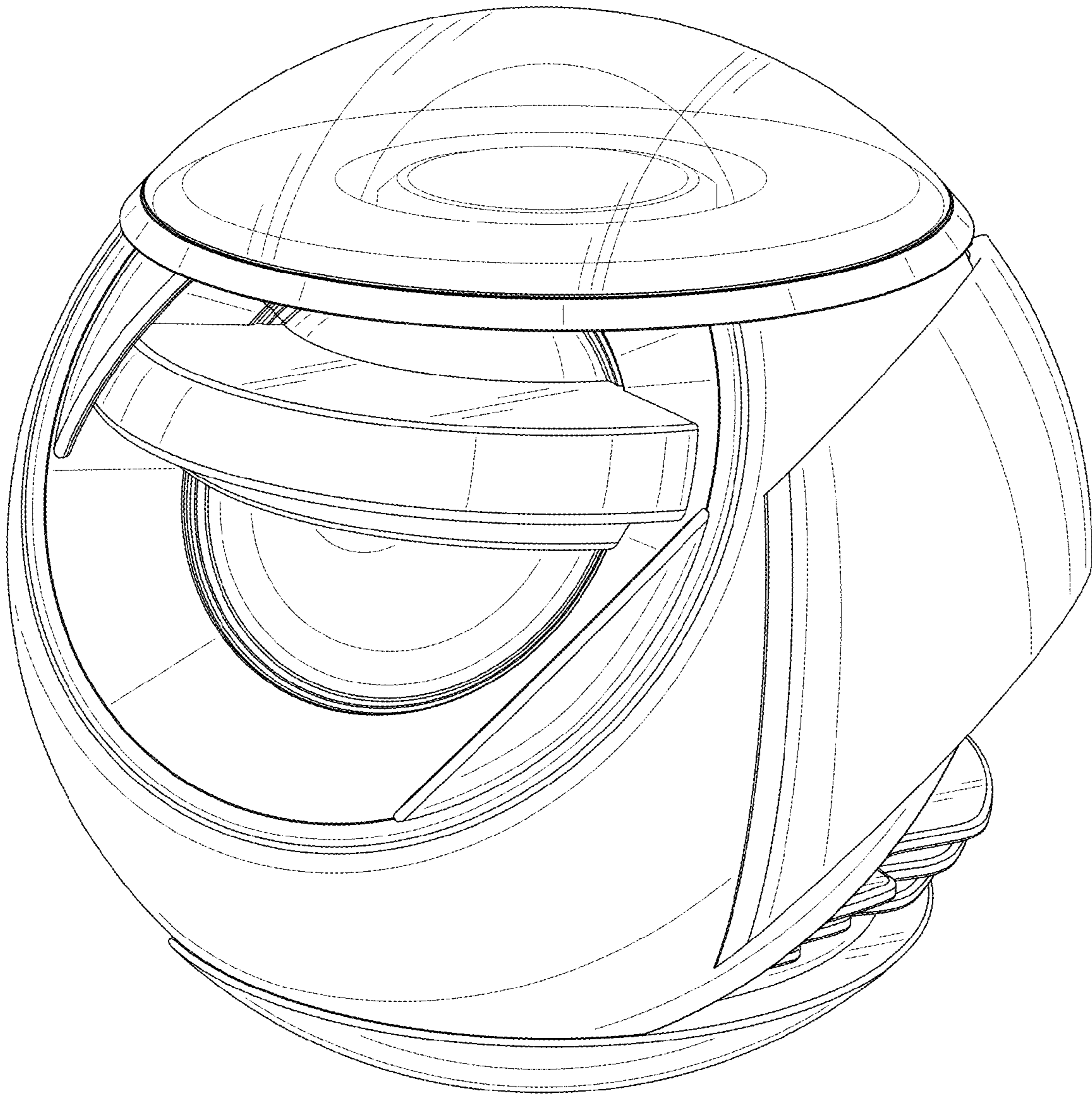


FIG. 7

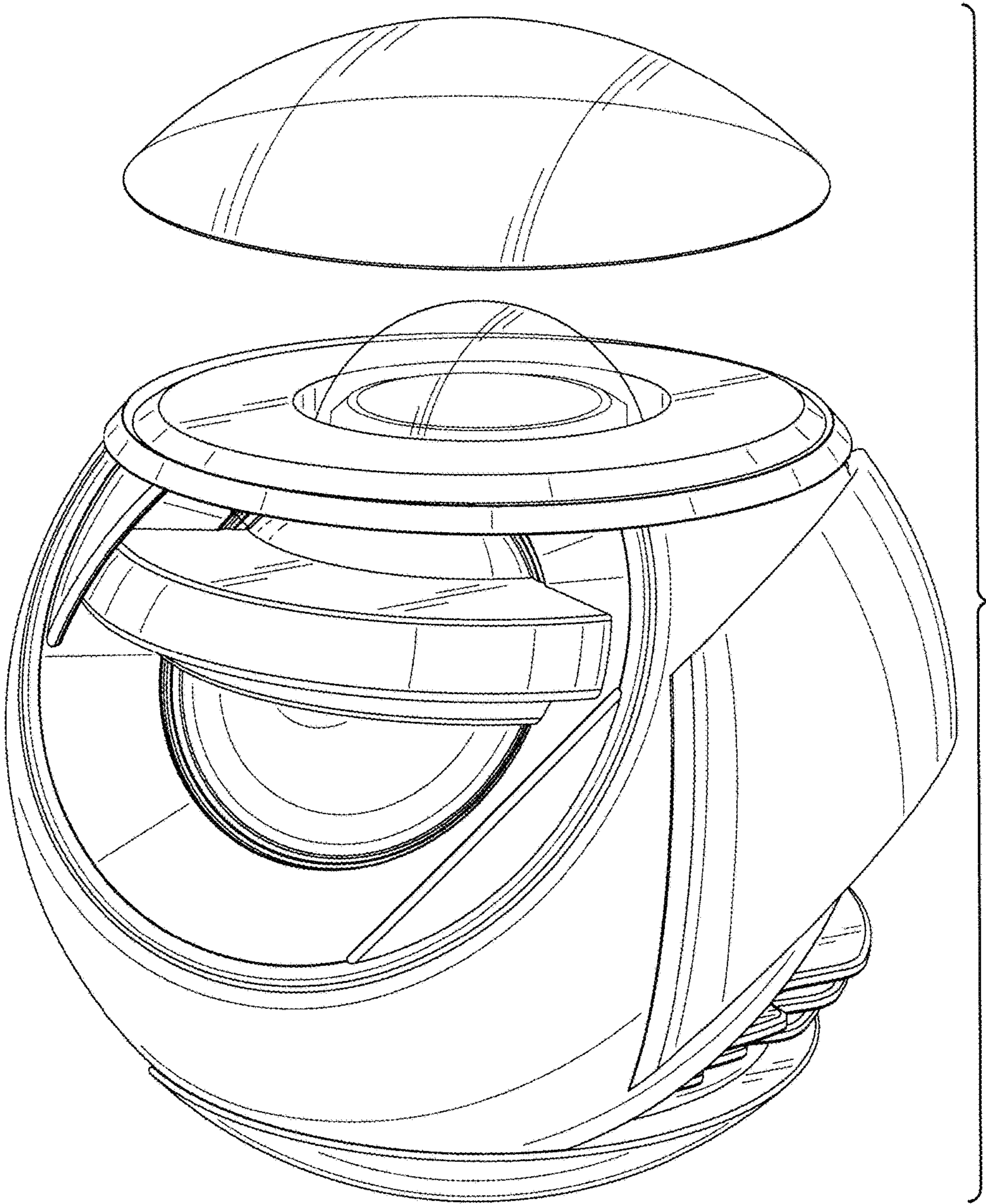


FIG. 8