



US00D812122S

(12) **United States Design Patent**
Clerc et al.

(10) **Patent No.:** **US D812,122 S**
(45) **Date of Patent:** **** Mar. 6, 2018**

(54) **ROBOT HAND**

(71) Applicant: **Softbank Robotics Europe**, Paris (FR)

(72) Inventors: **Vincent Clerc**, Clamart (FR); **Robert Hong**, Paris (FR)

(**) Term: **15 Years**

(21) Appl. No.: **29/572,485**

(22) Filed: **Jul. 28, 2016**

(30) **Foreign Application Priority Data**

Jan. 29, 2016 (EM) 002963637-0003

(51) **LOC (11) Cl.** **15-99**

(52) **U.S. Cl.**
USPC **D15/199**

(58) **Field of Classification Search**
USPC D15/126, 138, 199; D21/345, 350, 360,
D21/361, 362, 383, 384, 398, 399, 414,
D21/415, 418, 428, 455, 503, 504, 528,
D21/529, 558, 578, 579, 594, 612, 621,
D21/627, 658; D24/138, 155, 185, 198,
D24/205, 208, 211, 231, 232; D29/124,
D29/129; D34/35; D99/1, 17, 30, 34,
D99/37, 38, 99

CPC G06N 3/00; G06N 3/004; G06N 3/006;
G06N 3/008; G06N 5/00; A63H 3/00;
G05B 19/00; B25J 9/00; B25J 15/0009;
G06G 7/60

See application file for complete search history.

(56) **References Cited**

U.S. PATENT DOCUMENTS

D460,503 S * 7/2002 Koshiishi D21/578
D508,096 S * 8/2005 Koshiishi D21/578
D593,165 S * 5/2009 Hetrick D21/578
D595,854 S * 7/2009 Kuschnigg D24/155
D641,808 S * 7/2011 Matsuda D15/199

D671,175 S * 11/2012 Koshiishi D15/199
D677,743 S * 3/2013 Koshiishi D15/199
D687,908 S * 8/2013 Hoang D15/199
D719,620 S * 12/2014 Clerc B25J 5/007
D15/199

(Continued)

FOREIGN PATENT DOCUMENTS

DE 102013113459 A1 * 10/2014 B25J 9/1612
DE 102014005528 A1 * 10/2014 A61F 2/586

(Continued)

OTHER PUBLICATIONS

Are you ready for your first home robot? Meet Pepper, posted on engadget.com, posted date Jun. 12, 2014, no production date given, [online], [site visited Jul. 14, 2017], Available from Internet, <URL: <https://www.engadget.com/2014/06/12/home-robot-pepper/>>.*

(Continued)

Primary Examiner — Melanie H Tung
Assistant Examiner — Fritzgerald L Butac
(74) *Attorney, Agent, or Firm* — Scarinci Hollenceck, LLC; John Laurence

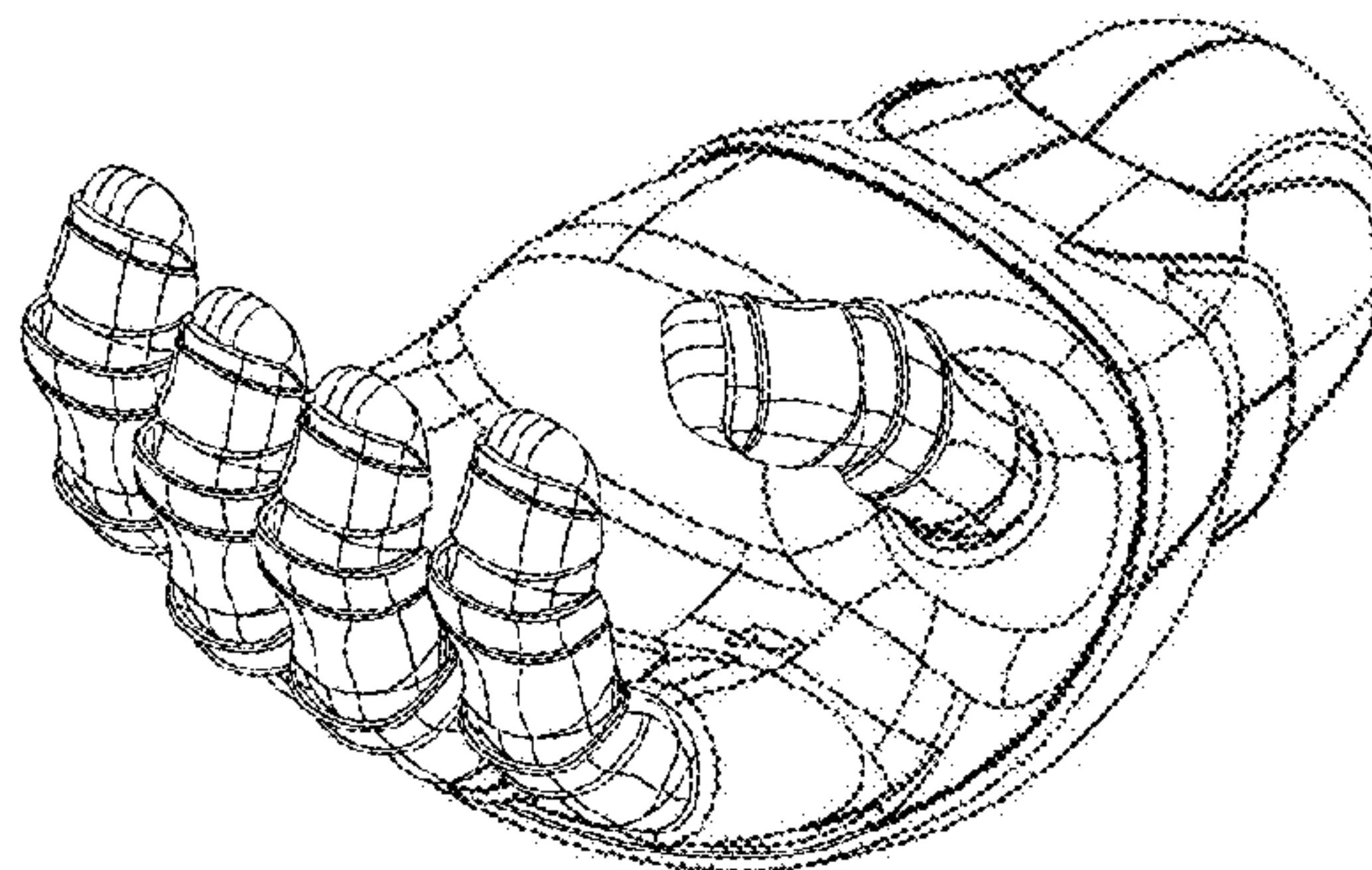
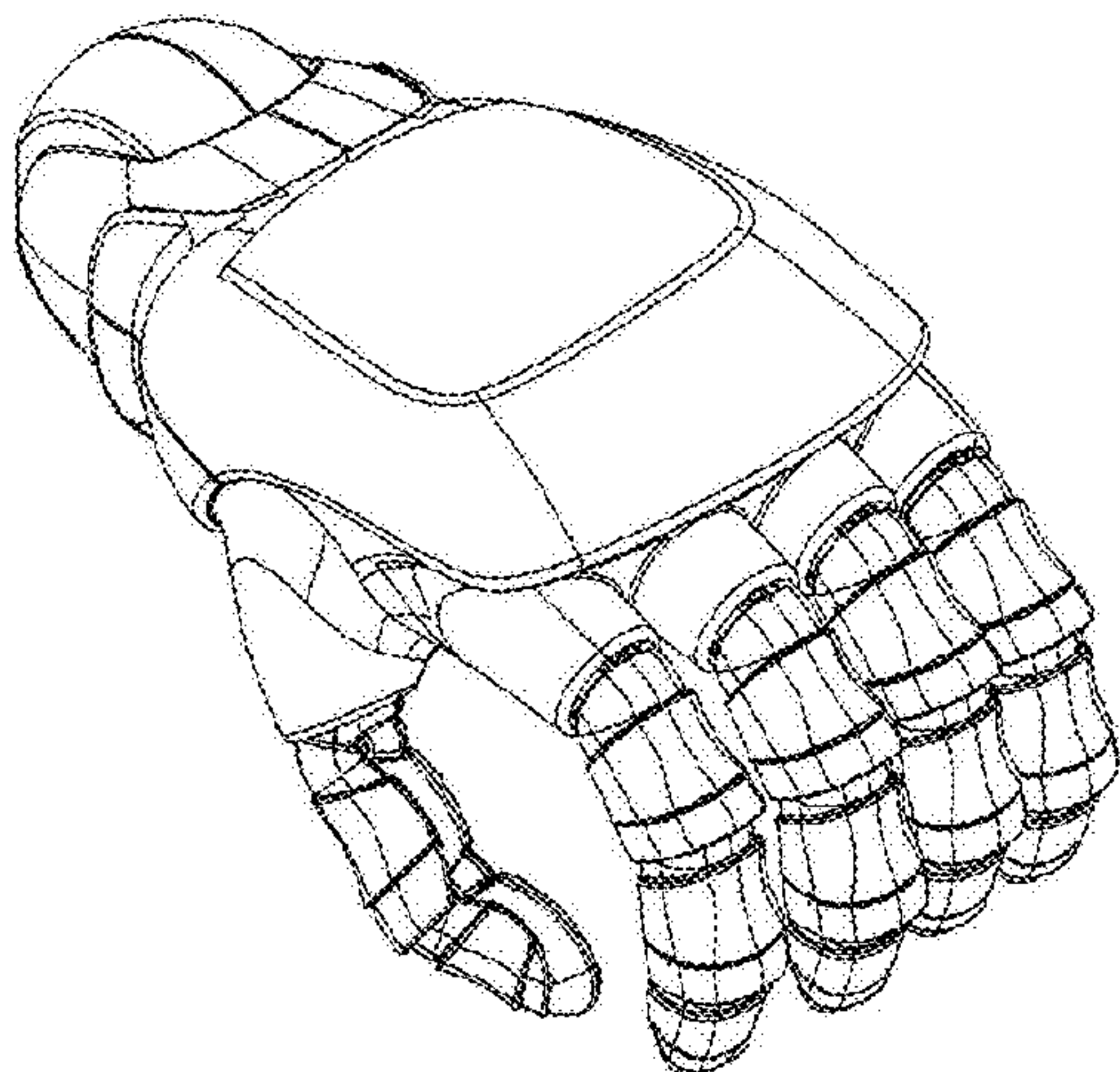
(57) **CLAIM**

The ornamental design for a robot hand, as shown and described.

DESCRIPTION

FIG. 1 is a top front view;
FIG. 2 is a top back view;
FIG. 3 is a back bottom view;
FIG. 4 is a front bottom view;
FIG. 5 is a front view;
FIG. 6 is a back view; and,
FIG. 7 is a side view.
The broken lines show portions of a robot hand that form no part of the claimed design.

1 Claim, 7 Drawing Sheets



(56)

References Cited

U.S. PATENT DOCUMENTS

9,095,978 B2 * 8/2015 Shi B25J 9/1633
 D779,597 S * 2/2017 Liu D21/578
 D783,448 S * 4/2017 Siegel D11/160
 2010/0292837 A1 * 11/2010 Takahashi B25J 9/1612
 700/245
 2012/0158174 A1 * 6/2012 Moon G06N 3/008
 700/245
 2013/0204436 A1 * 8/2013 Kim B25J 9/00
 700/259
 2014/0284951 A1 * 9/2014 Miyazawa B25J 15/0009
 294/213
 2017/0129110 A1 * 5/2017 Ohm B25J 15/08
 2017/0148434 A1 * 5/2017 Monceaux G10L 15/1815

FOREIGN PATENT DOCUMENTS

FR 3016542 A1 * 7/2015 B25J 15/009
 FR 3016543 A1 * 7/2015 B25J 15/0009
 JP 2010005762 A * 1/2010 G06N 3/004
 WO WO 0245918 A1 * 6/2002 B25J 9/104
 WO WO 03051583 A1 * 6/2003 B25J 9/104
 WO WO 2005032771 A1 * 4/2005 B25J 9/0009

WO WO 2006064602 A1 * 6/2006 B25J 15/0009
 WO WO 2007088743 A1 * 8/2007 B25J 15/0009
 WO WO 2010018358 A2 * 2/2010 A61F 2/54
 WO WO 2017077429 A1 * 5/2017 A61F 2/583

OTHER PUBLICATIONS

Magichand mini pro 7 bionic dexterous humanoid robot hand, posted on aliexpress.com, no posted date given, no production date given, [online], [site visited Jul. 14, 2017], Available from Internet, <URL: https://www.aliexpress.com/store/product/the-newest-MAGICHAND-MINI-PRO-7-DOF-bionic-dexterous-humanoid-robot-hand/512161_32544947000.html>.*

Modular Prosthetic Limb, posted on turbosquid.com, published Jul. 30, 2016, no production date given, [online], [site visited Jul. 14, 2017], Available from Internet, <URL: <https://www.turbosquid.com/3d-models/3d-modular-prosthetic-limb-model/1059792>>.*

Prosthetic Hands More 'Erie' Than Robotic Hands, posted on redorbit.com, posted Nov. 12, 2013, no production date given, [online], [site visited 07/14/217], Available from Internet, <URL: <http://www.redorbit.com/news/science/1113001101/prosthetic-prosthetic-hands-human-likeness-visual-preference-111213/>>.*

* cited by examiner

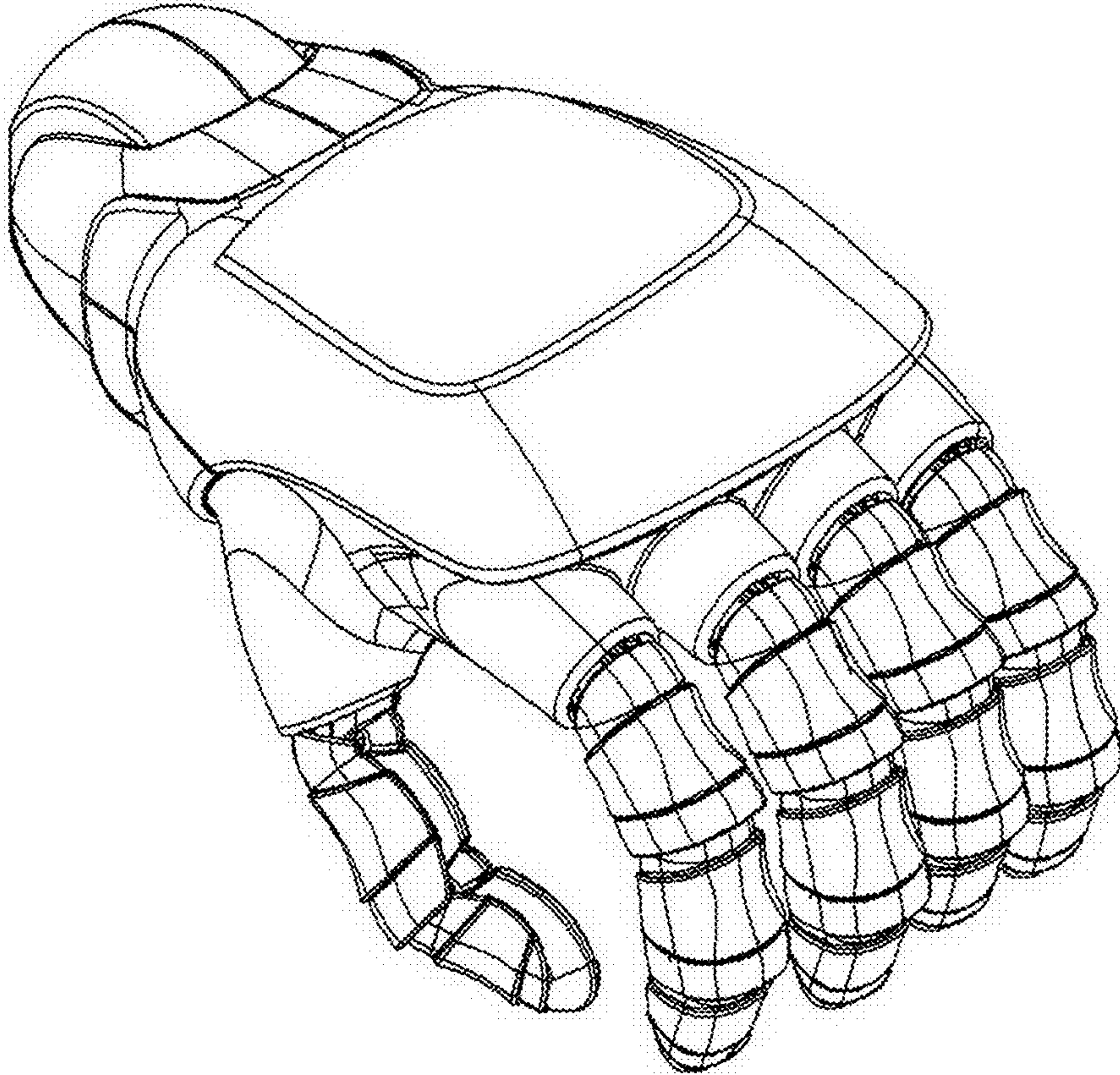


FIG. 1

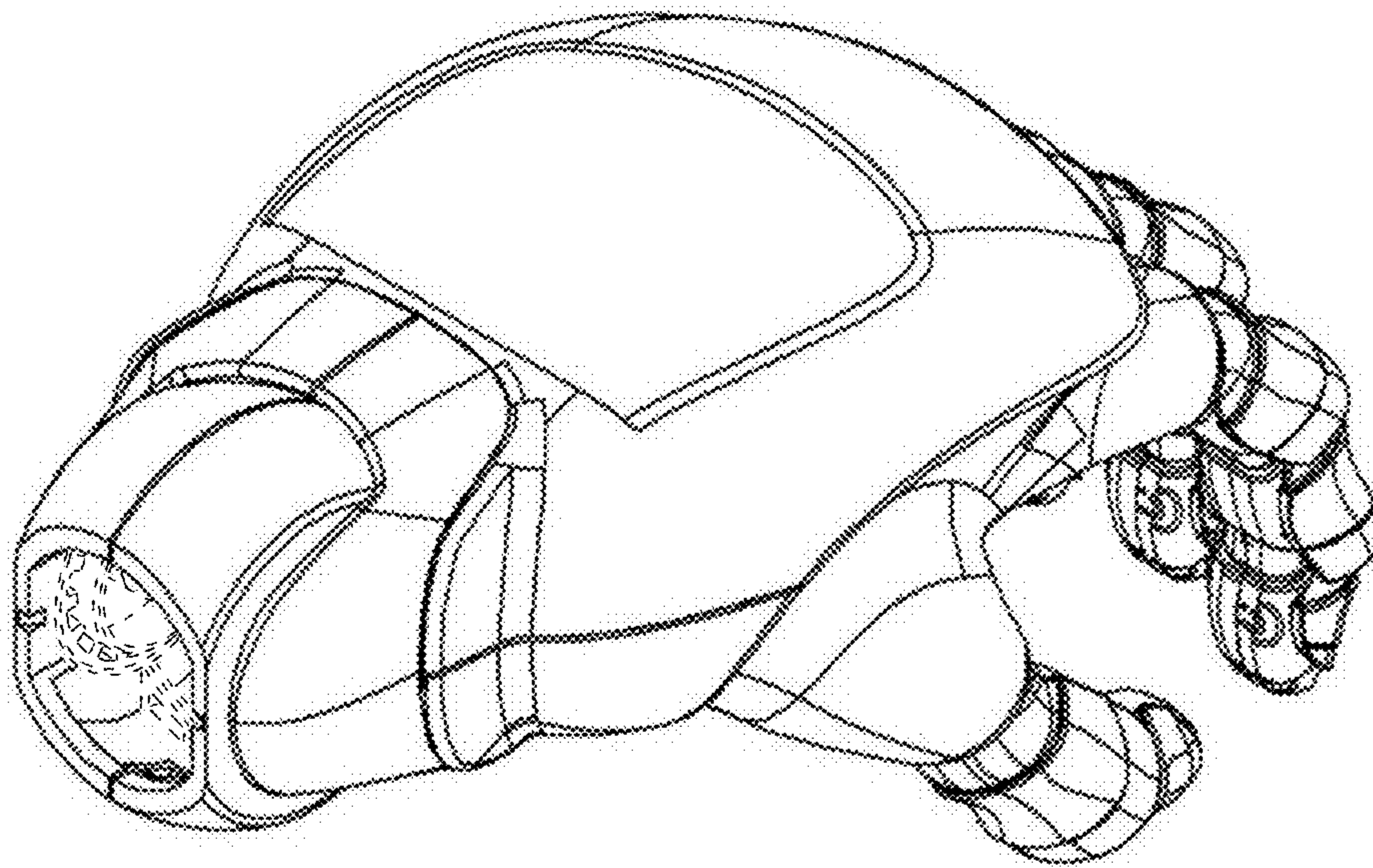


FIG. 2

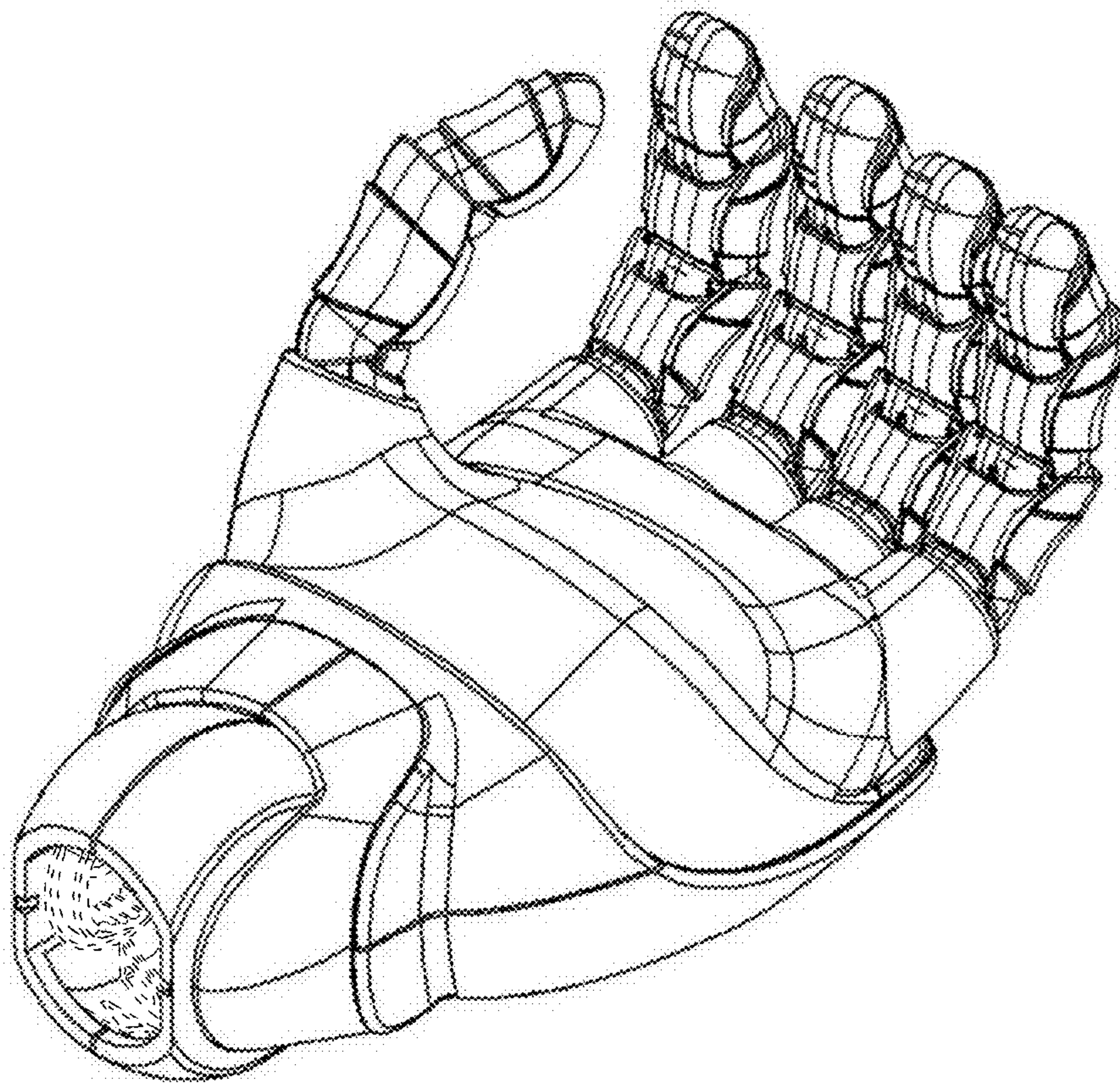


FIG. 3

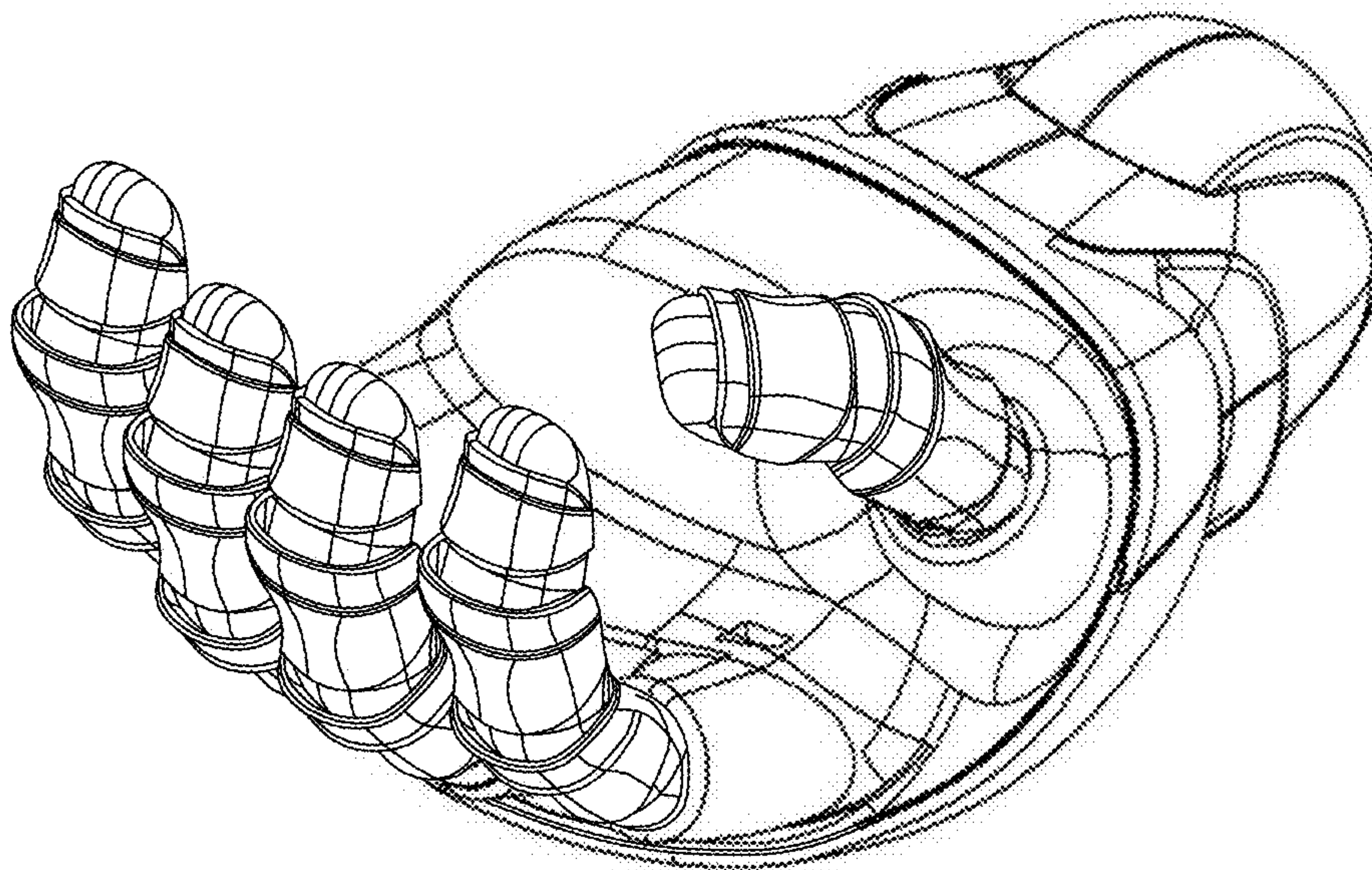


FIG. 4

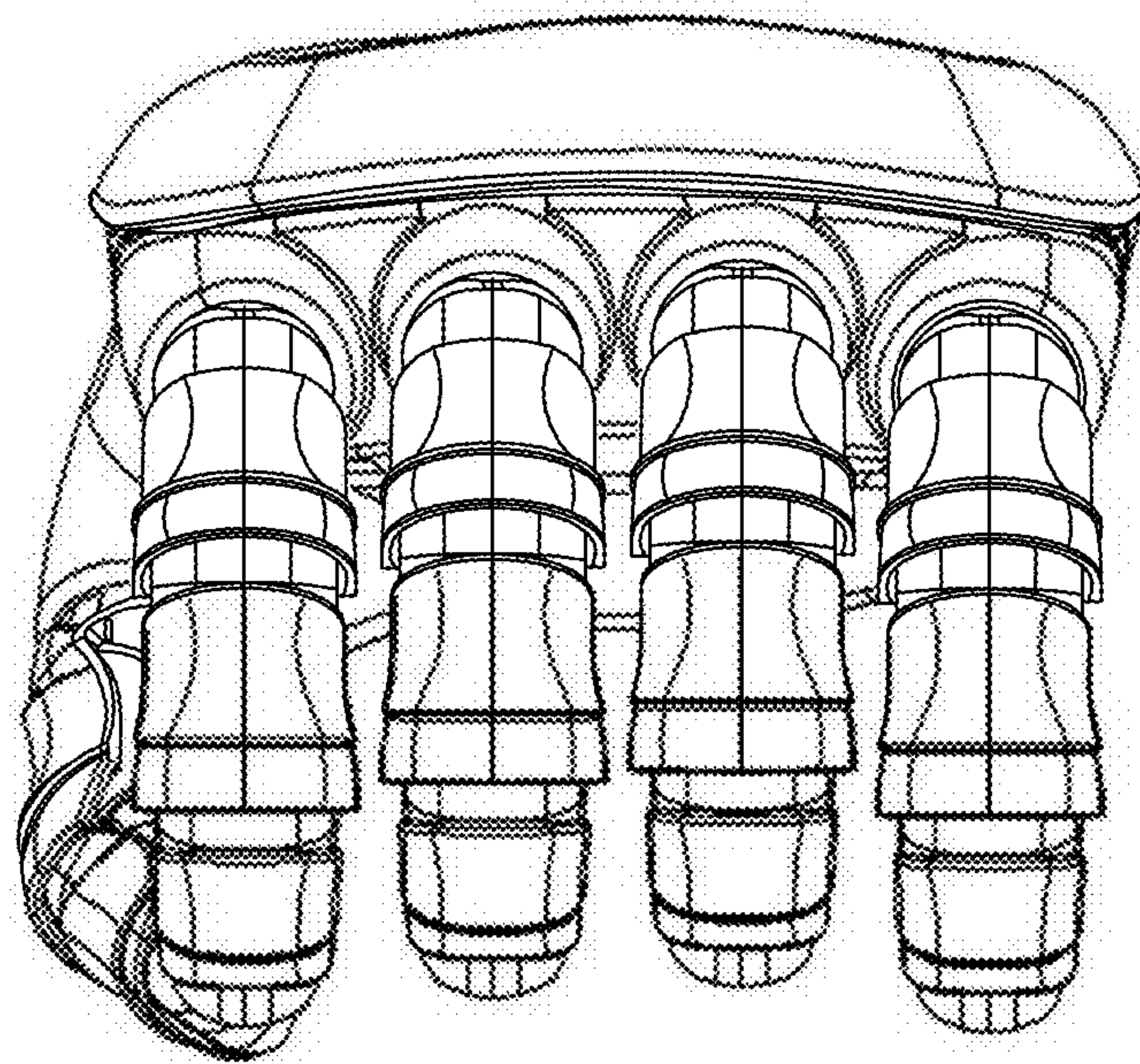


FIG. 5

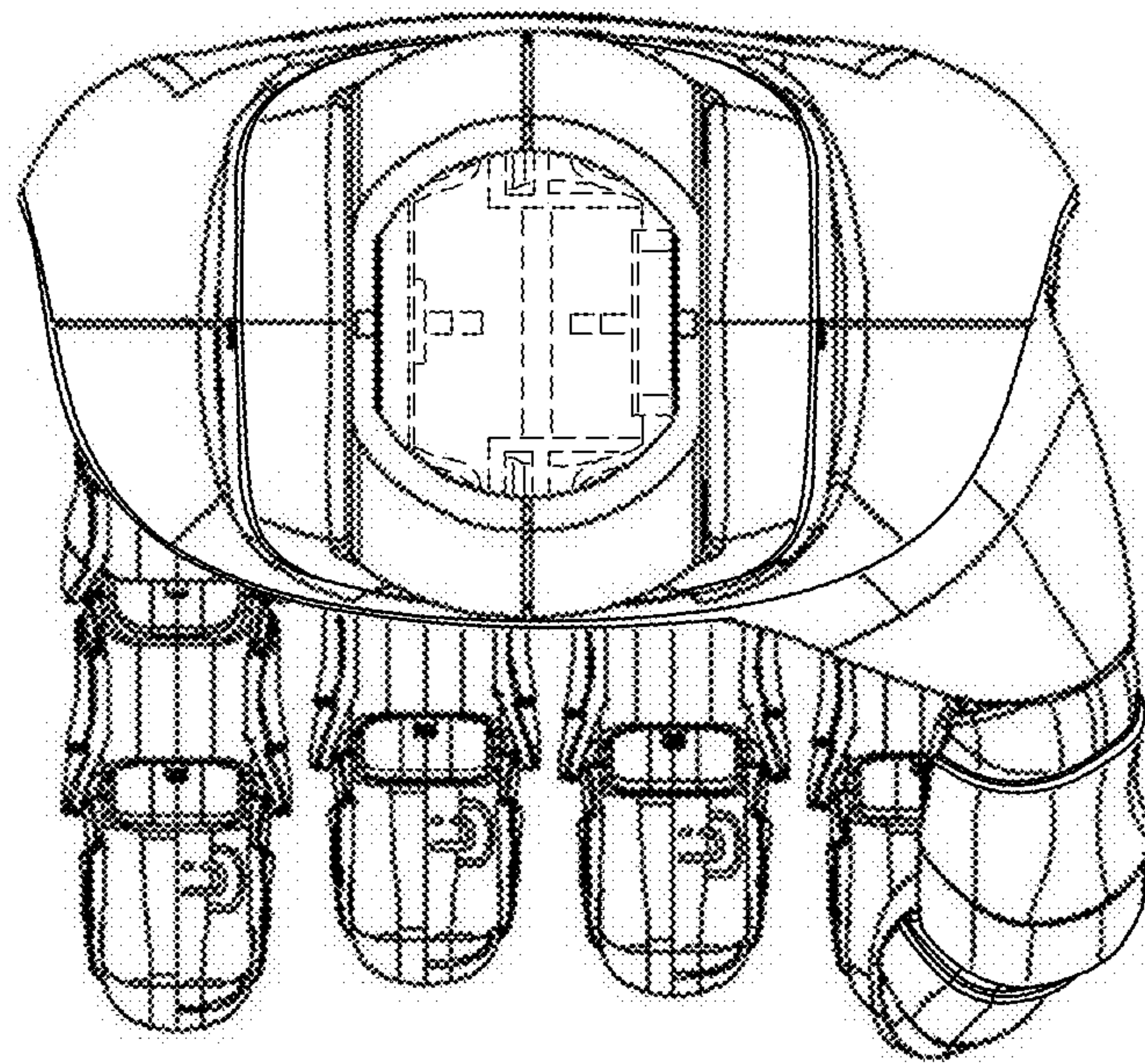


FIG. 6

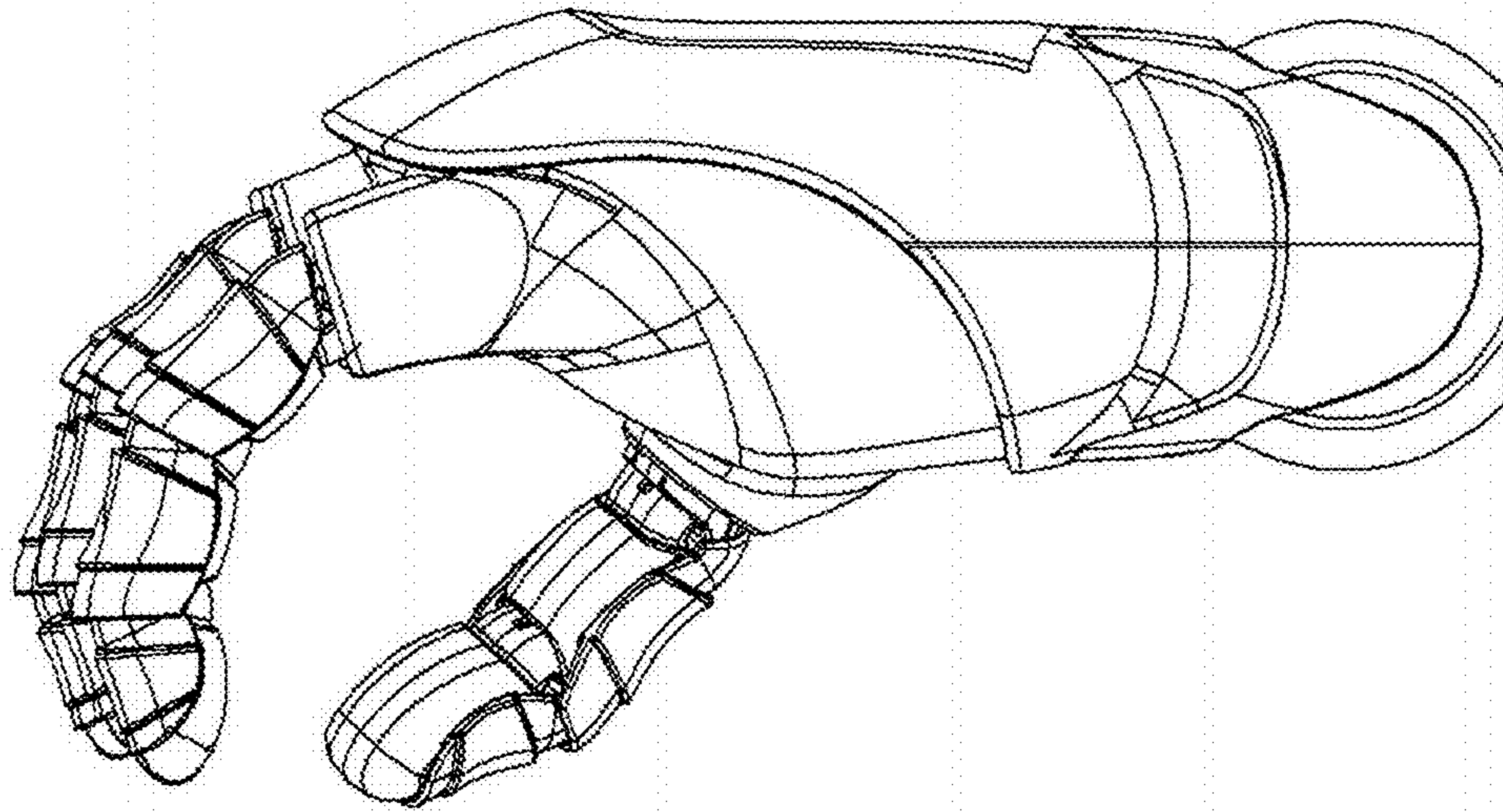


FIG. 7