



US00D812121S

(12) **United States Design Patent**
Jørgensen

(10) **Patent No.:** **US D812,121 S**
(45) **Date of Patent:** **** Mar. 6, 2018**

(54) **LINEAR ACTUATOR ACCESSORY**

(71) Applicant: **LINAK A/S**, Nordborg (DK)

(72) Inventor: **Rolf Jørgensen**, Middelfart (DK)

(73) Assignee: **Linak A/S**, Nordborg (DK)

(**) Term: **15 Years**

(21) Appl. No.: **29/582,251**

(22) Filed: **Oct. 26, 2016**

Related U.S. Application Data

(62) Division of application No. 29/526,694, filed on May 12, 2015, now Pat. No. Des. 775,677.

(30) **Foreign Application Priority Data**

Nov. 12, 2014 (DK) 2014 00110

(51) **LOC (11) Cl.** **15-09**

(52) **U.S. Cl.**
USPC **D15/148**

(58) **Field of Classification Search**
USPC D13/118, 158, 162, 184; D15/1-5, 7, 9,
D15/143, 148, 149, 199
CPC .. F16H 25/20; F16H 25/2021; F16H 25/2065;
F16H 25/2081; F16H 25/2087; Y10T
74/18056; Y10T 74/18576; Y10T
74/18688; Y10T 74/18696; Y10T
74/18752

See application file for complete search history.

(56) **References Cited**

U.S. PATENT DOCUMENTS

4,059,872 A * 11/1977 Delesandri F16L 3/1008
24/279
4,150,802 A * 4/1979 Evelyn B64D 29/00
244/54

D269,155 S * 5/1983 Rose D8/356
D308,116 S * 5/1990 Vandergriff D26/149
4,991,801 A * 2/1991 Trumbull F16L 3/13
248/62
D318,607 S * 7/1991 Reid D8/363
D340,719 S * 10/1993 Yoder D14/238
5,354,021 A * 10/1994 Farrell F16L 3/233
24/16 PB
D422,045 S * 3/2000 Fell D22/100
D785,580 S * 5/2017 Yu H04N 21/414
D14/125
D791,058 S * 7/2017 Laatz D12/223
9,735,557 B1 * 8/2017 Gretz H02G 3/10
D798,306 S * 9/2017 Wengreen D14/447
2017/0065839 A1 * 3/2017 Weber A62C 2/242
2017/0170608 A1 * 6/2017 Zhao H01R 13/6581
2017/0207725 A1 * 7/2017 Kojima H02N 2/026
2017/0208253 A1 * 7/2017 Shinzato H04N 5/23287
2017/0276224 A1 * 9/2017 Creech F16H 48/34

* cited by examiner

Primary Examiner — Patricia A Palasik

(74) *Attorney, Agent, or Firm* — Dykema Gossett PLLC

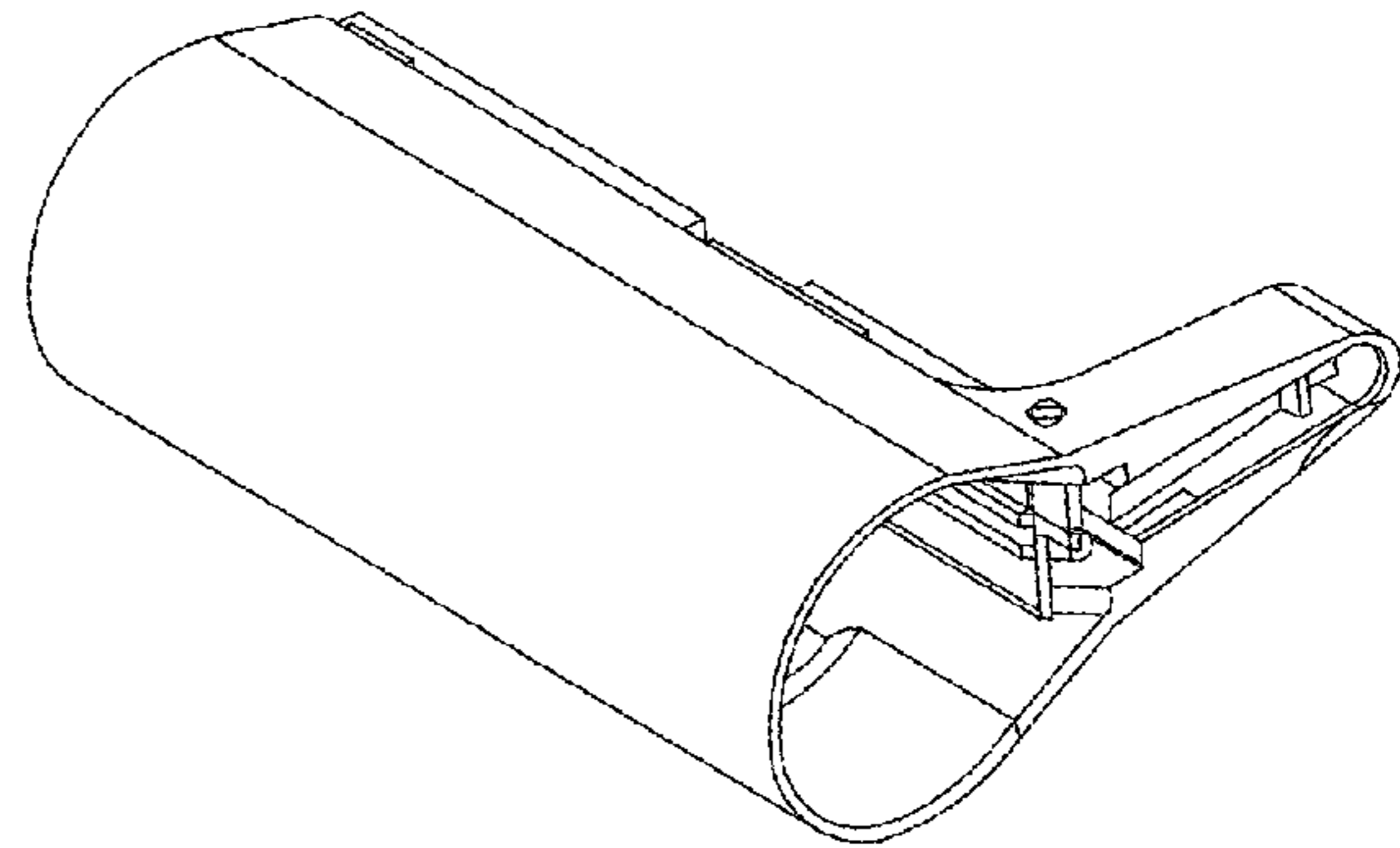
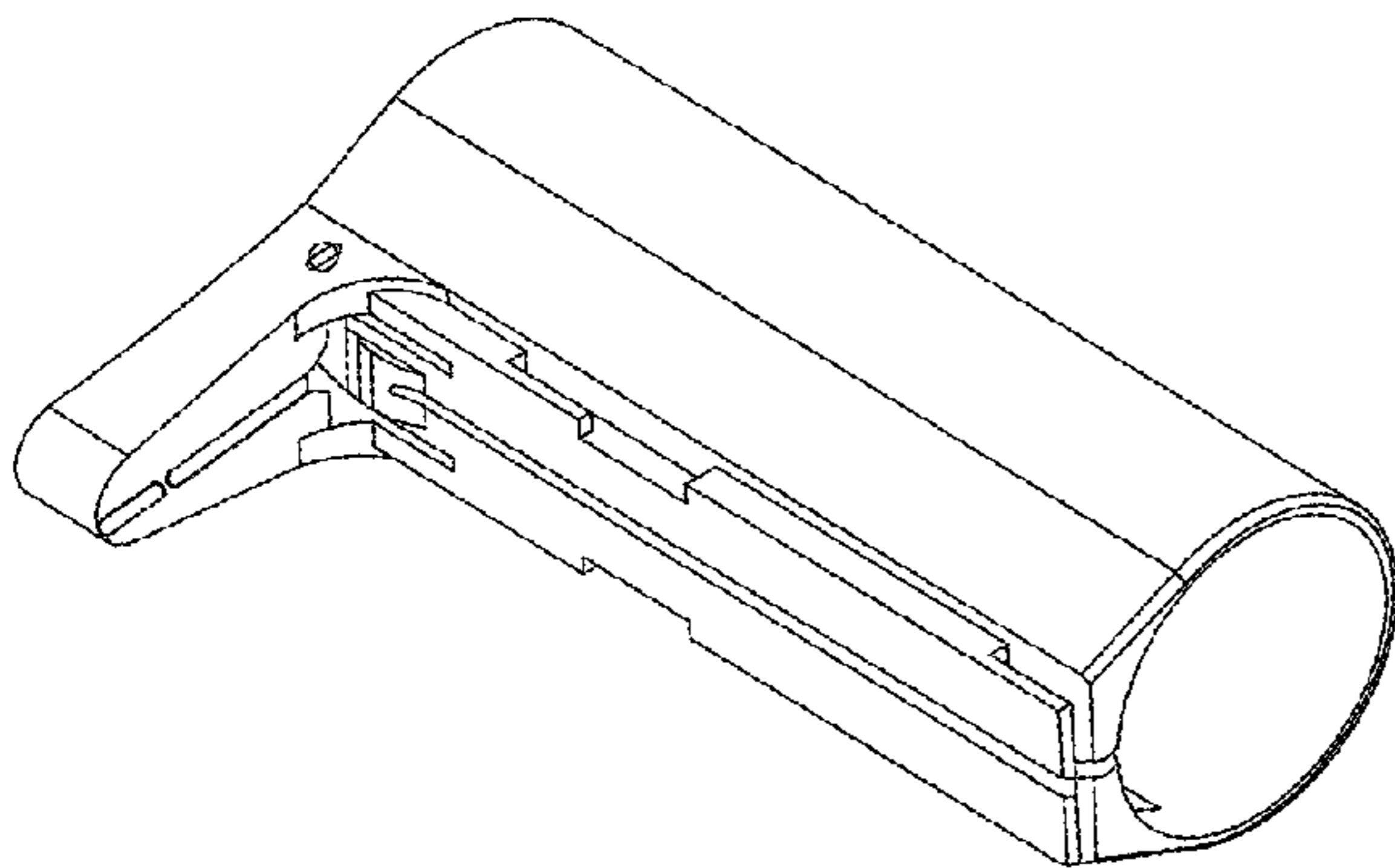
(57) **CLAIM**

The ornamental design for a linear actuator accessory, as shown and described.

DESCRIPTION

FIG. 1 is a perspective top view of my new and ornamental design for a linear actuator accessory, FIG. 2 is a perspective bottom view thereof, FIG. 3 is an elevational left side view thereof, FIG. 4 is an elevational rear view thereof, FIG. 5 is an elevational front view thereof, FIG. 6 is a bottom plan view thereof, FIG. 7 is a top plan view thereof; and, FIG. 8 is an elevational right side view thereof.

1 Claim, 2 Drawing Sheets



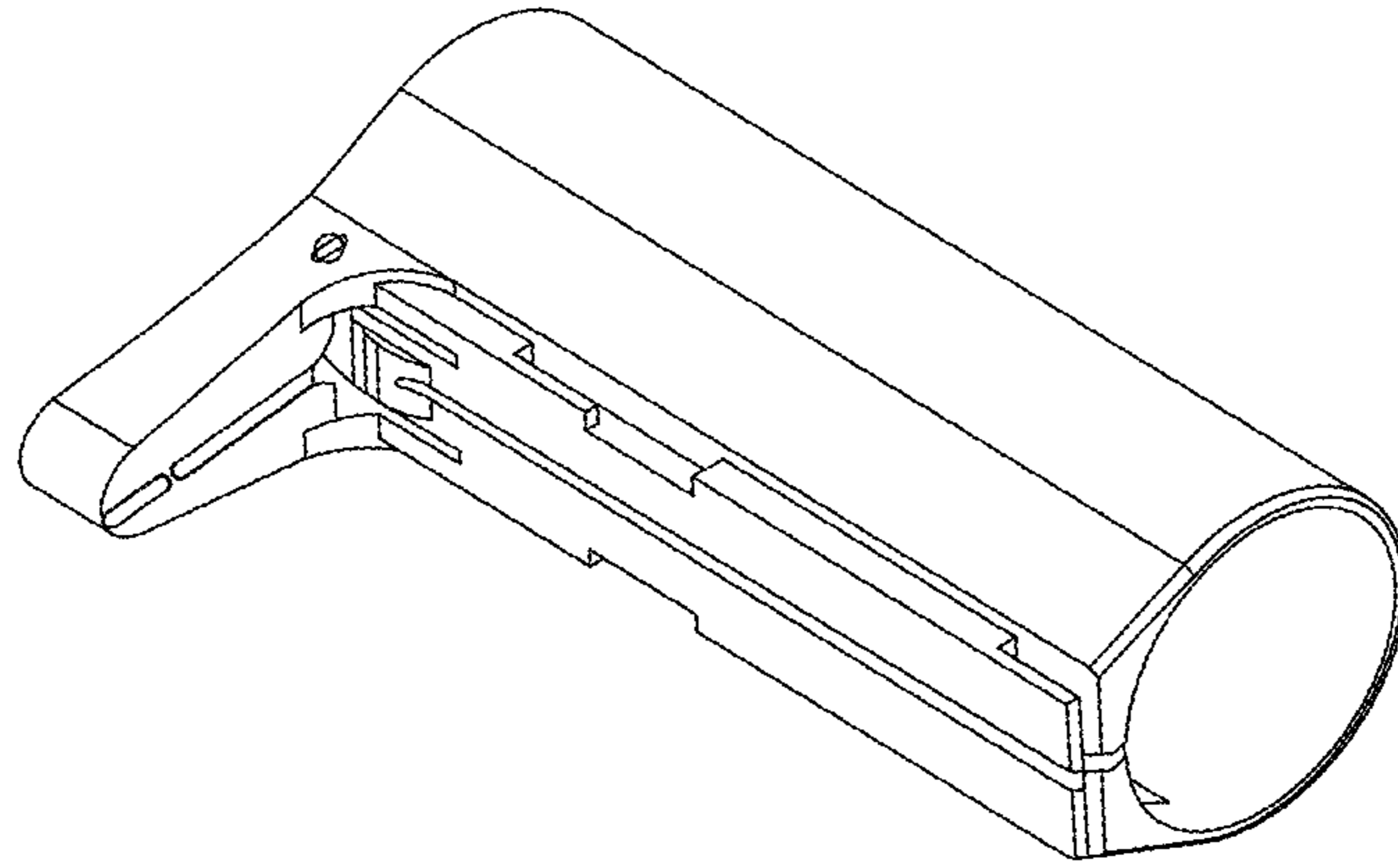


FIG. 1

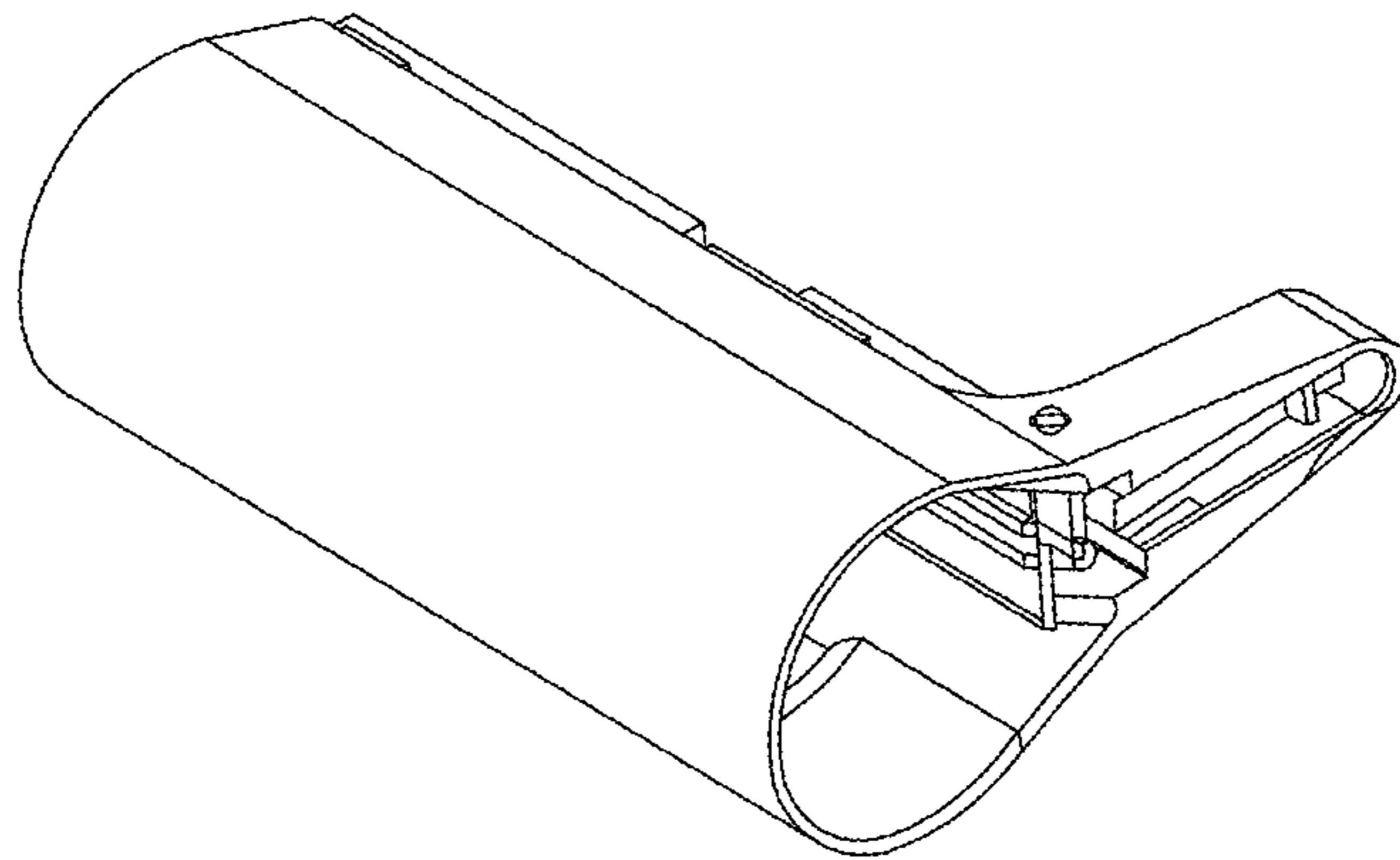


FIG. 2

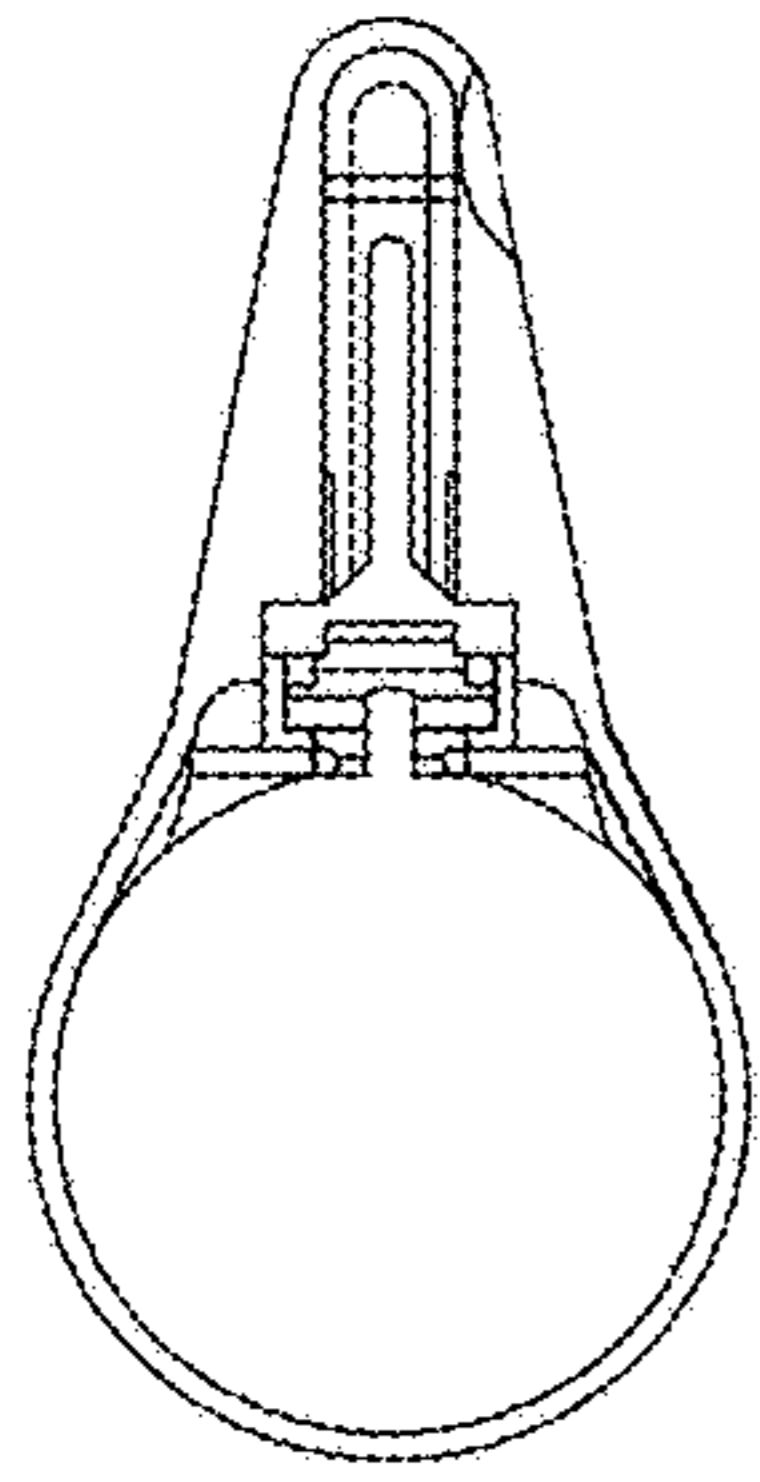


FIG. 4

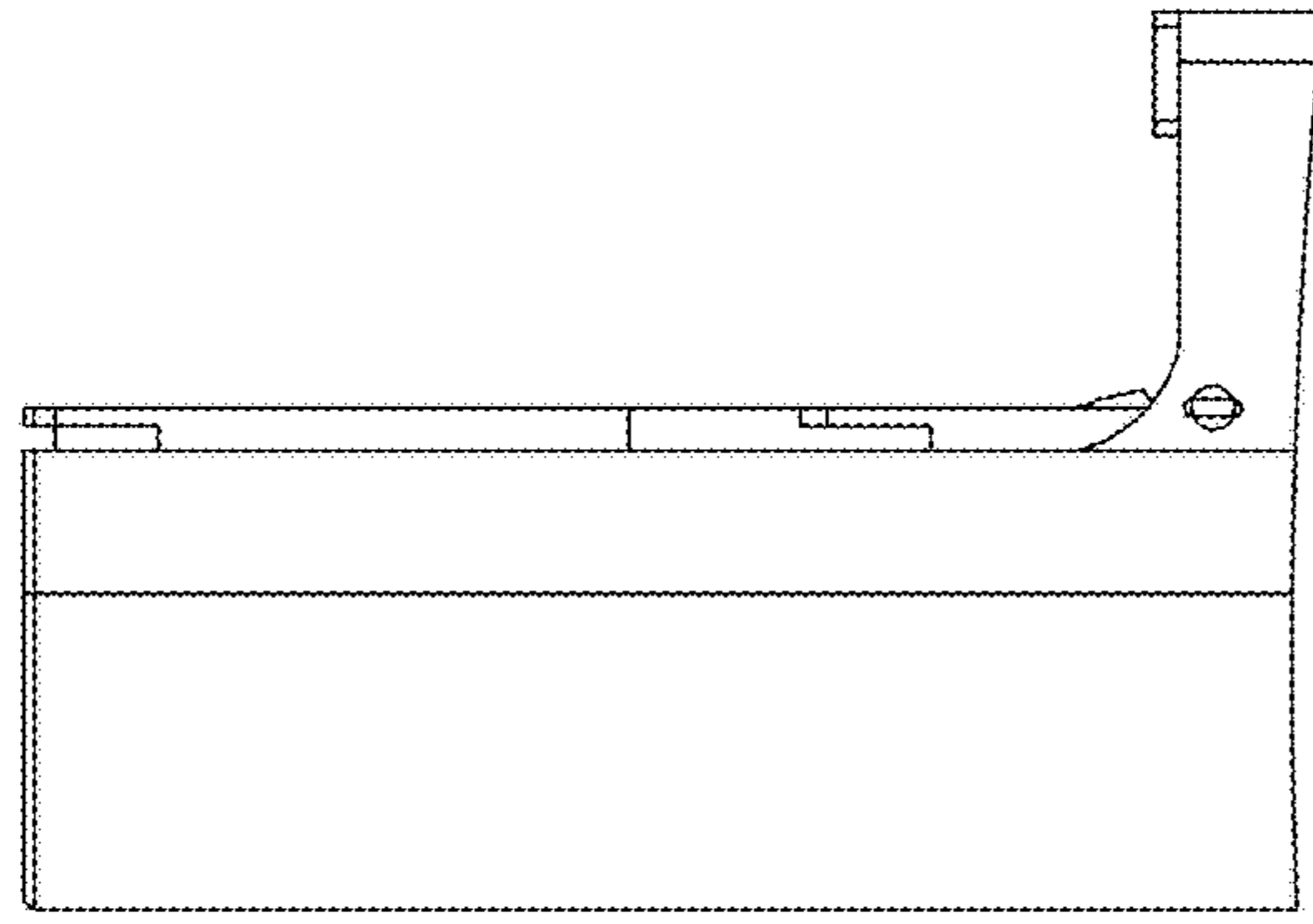


FIG. 3

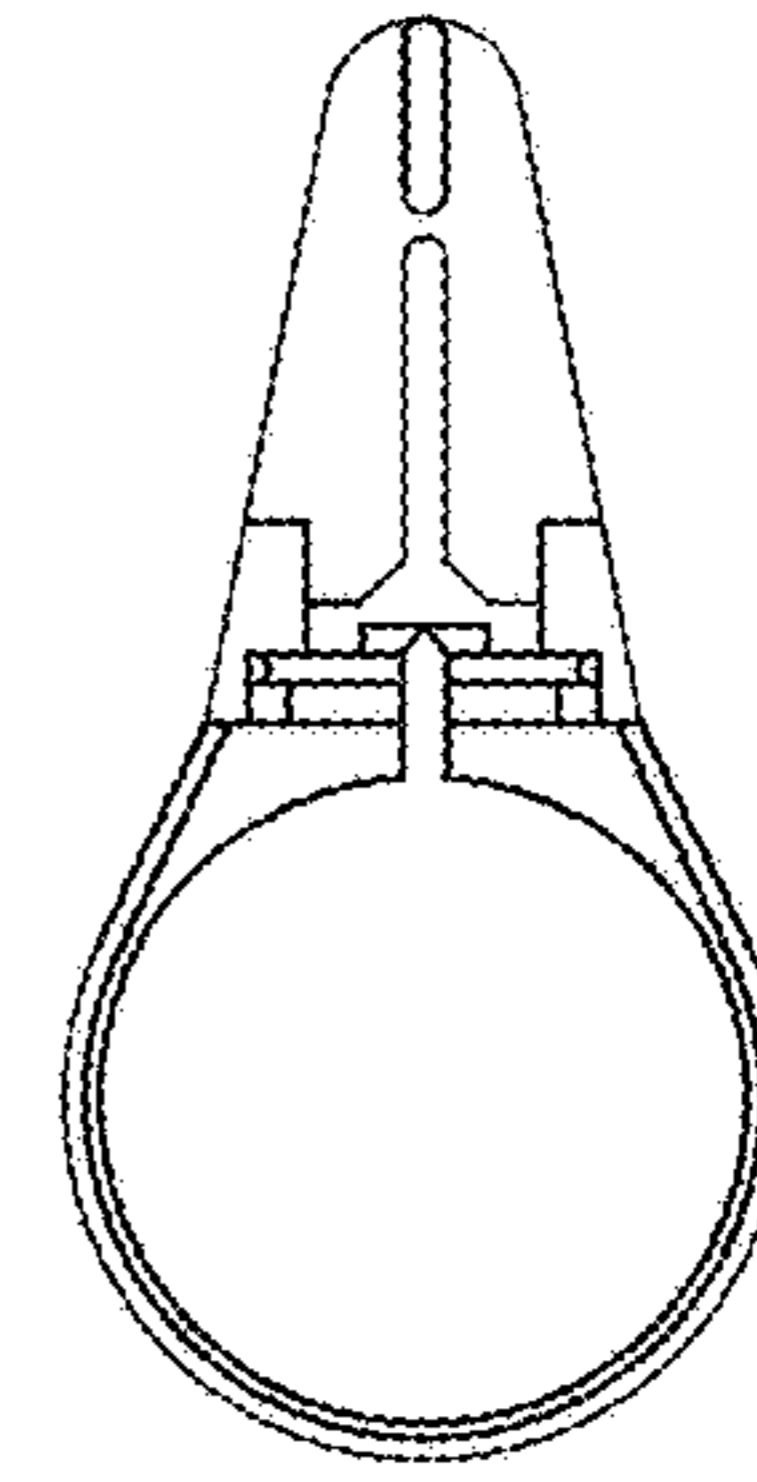


FIG. 5

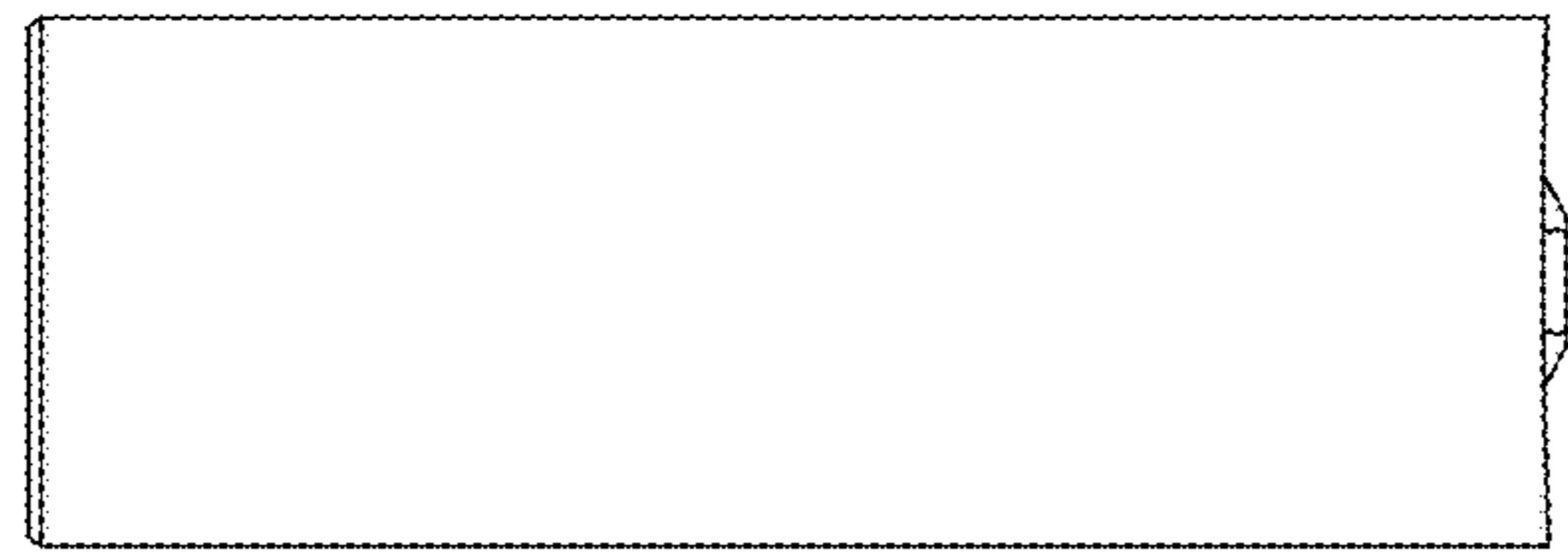


FIG. 6

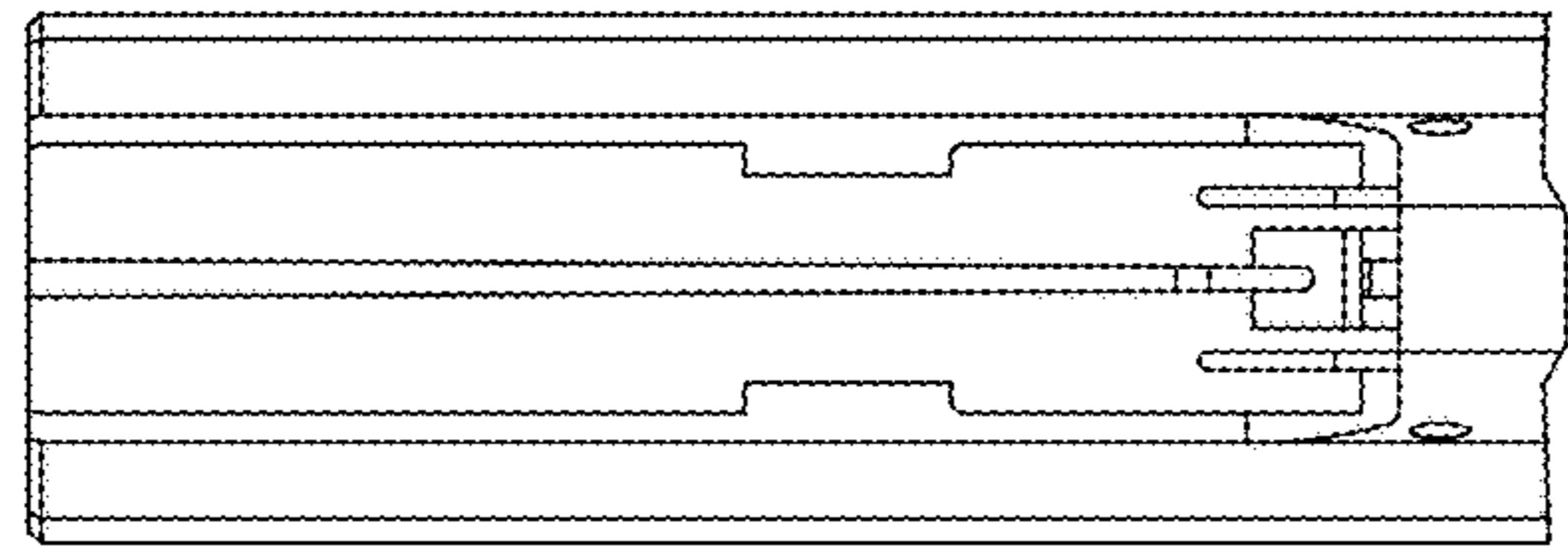


FIG. 7

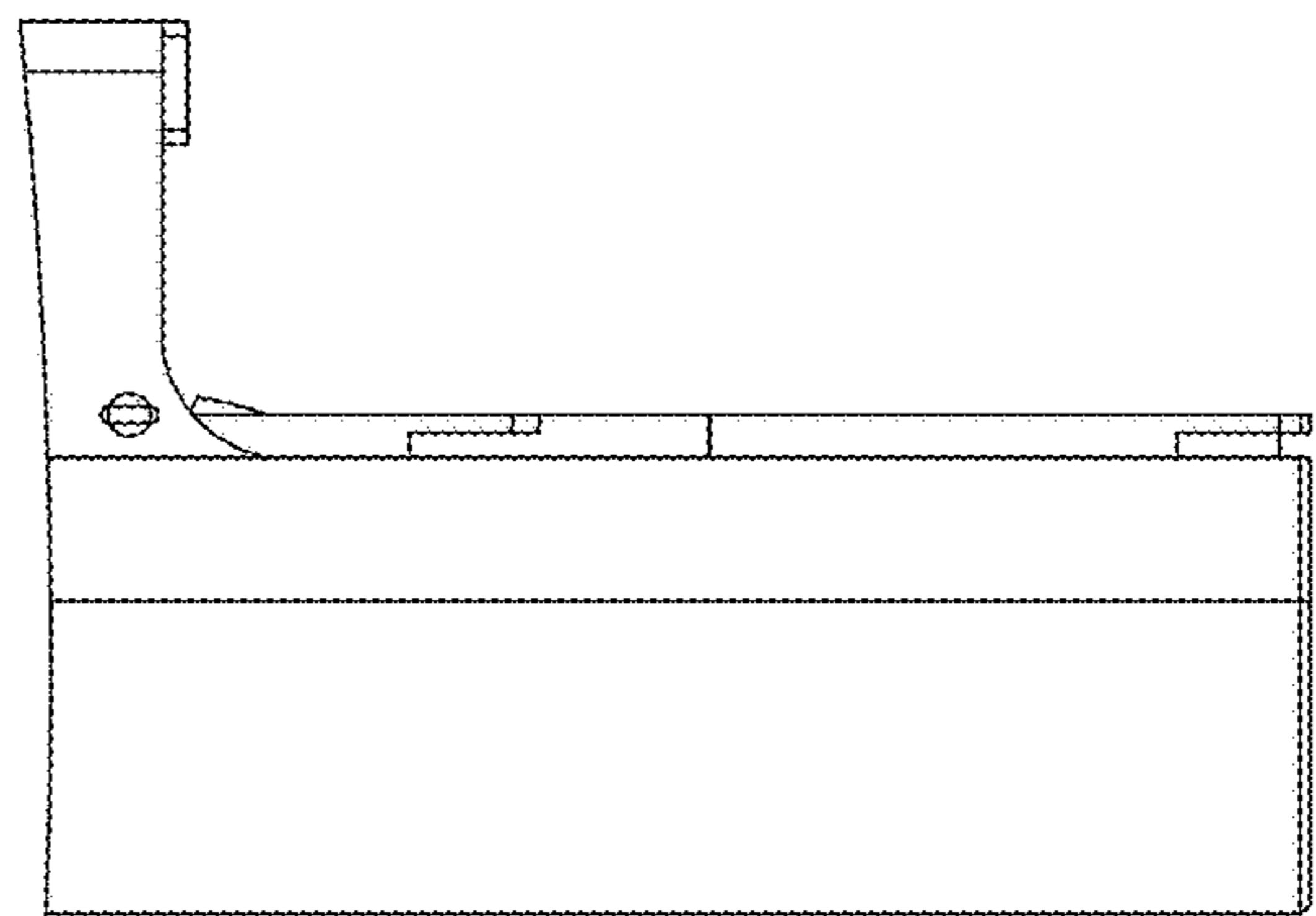


FIG. 8