



US00D812118S

(12) **United States Design Patent**
Demmeler

(10) **Patent No.:** **US D812,118 S**
(45) **Date of Patent:** **** Mar. 6, 2018**

(54) **BRACKET FOR USE WITH A WELDING TABLE**

(71) Applicant: **Johannes Demmeler**, Memmingen (DE)

(72) Inventor: **Johannes Demmeler**, Memmingen (DE)

(**) Term: **15 Years**

(21) Appl. No.: **29/566,973**

(22) Filed: **Jun. 3, 2016**

Related U.S. Application Data

(62) Division of application No. 29/483,583, filed on Feb. 28, 2014, now Pat. No. Des. 774,118.

(51) **LOC (11) Cl.** **15-09**

(52) **U.S. Cl.**
USPC **D15/144**

(58) **Field of Classification Search**
USPC D8/71, 349, 354; D10/64, 65, 70; D15/140, 144.1, 144.2
CPC B23K 37/053; B23K 37/0435; B25B 31/005; B25H 1/02; B25H 1/08; F16B 2/16; F16B 5/0621; F16B 5/0642; F16B 21/165; Y10S 269/90

See application file for complete search history.

(56) **References Cited**

U.S. PATENT DOCUMENTS

1,402,881 A	1/1922	Murchie	
1,603,307 A	10/1926	Anderson	
2,310,904 A	2/1943	Bales	
2,724,038 A	11/1955	Bentzen	
3,188,078 A	6/1965	Peterson	
4,232,856 A *	11/1980	Eichfeld B23Q 3/069 269/166
4,595,186 A	6/1986	Reed et al.	
4,625,951 A	12/1986	Yang	

4,857,260 A *	8/1989	Schoenig, Jr. B23K 37/047 29/723
4,867,427 A	9/1989	Cunningham	
4,949,929 A *	8/1990	Kesselman A47B 96/06 248/220.1
5,318,284 A	6/1994	Demmeler et al.	
D365,115 S *	12/1995	Walker D15/140
5,605,275 A	2/1997	Rintala	
D384,359 S *	9/1997	Walker D15/140
D388,799 S *	1/1998	Walker D15/140
D391,586 S *	3/1998	Walker D15/141
5,833,384 A *	11/1998	McKibben B23K 31/00 403/270
5,871,191 A *	2/1999	Cohn A47B 5/00 108/9
5,901,763 A	5/1999	You	
6,019,359 A *	2/2000	Fly B23K 37/0461 269/289 R
6,024,350 A	2/2000	Price et al.	

(Continued)

OTHER PUBLICATIONS

Feb. 4, 2016 Office Action issued in U.S. Appl. No. 29/483,583.
Jun. 15, 2017 Office Action issued in U.S. Appl. No. 29/566,958.
Jul. 28, 2017 Office Action issued in U.S. Appl. No. 29/566,979.

Primary Examiner — Patricia A Palasik
(74) *Attorney, Agent, or Firm* — Oliff PLC

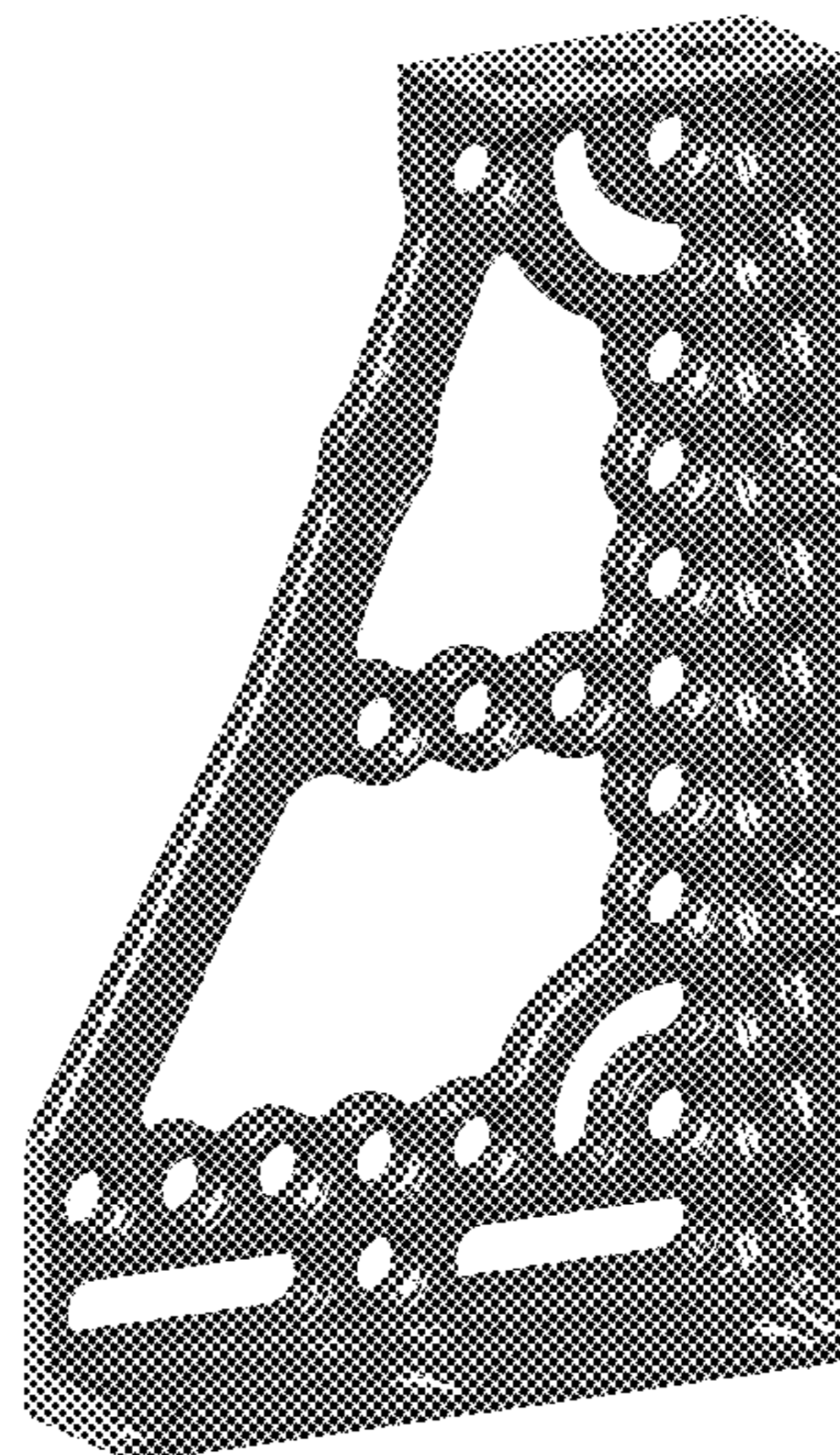
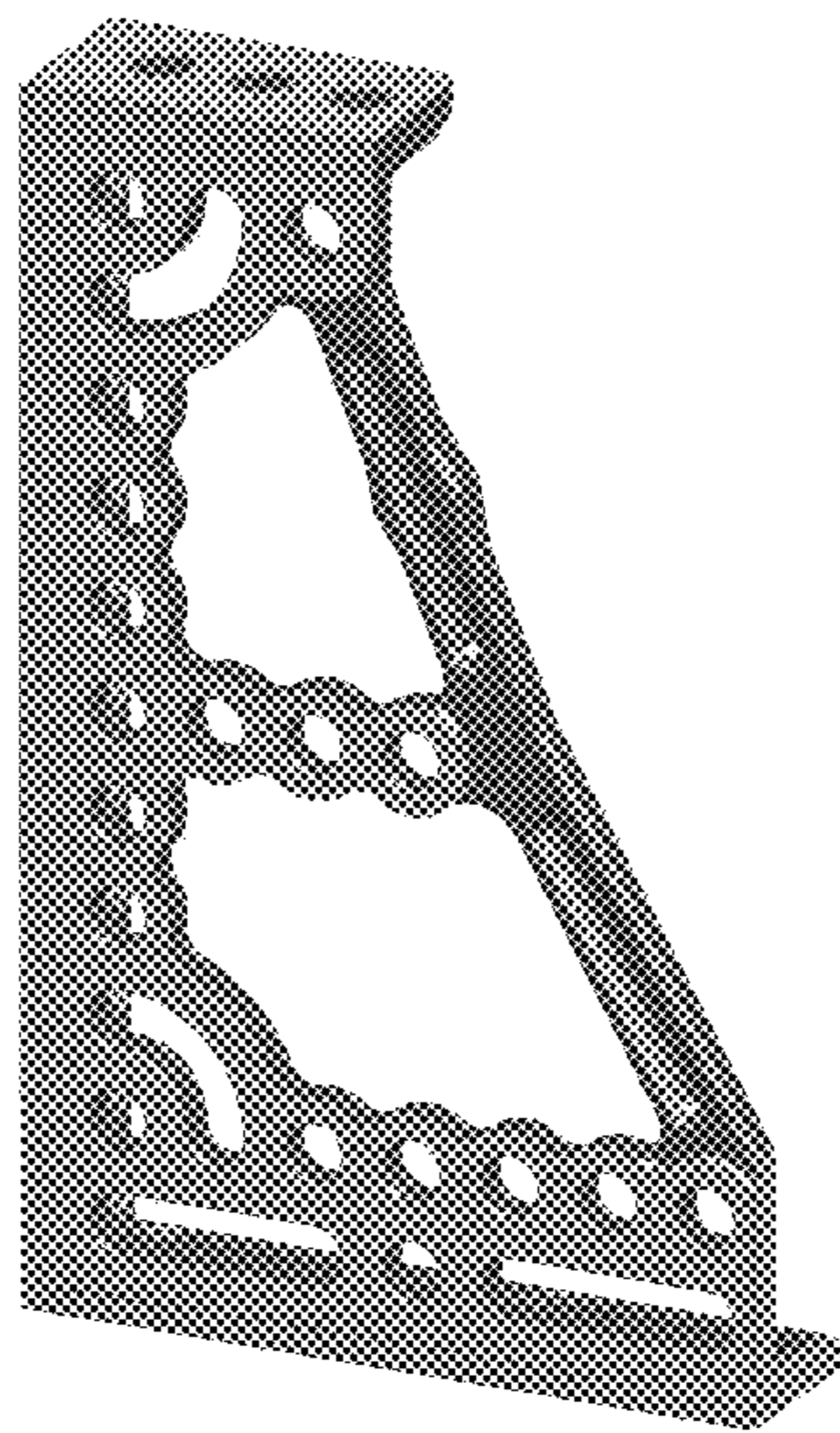
(57) **CLAIM**

The ornamental design for a bracket for use with a welding table, as shown and described.

DESCRIPTION

FIG. 1 is a rear perspective view of a bracket for use with a welding table;
FIG. 2 is a front perspective view thereof;
FIG. 3 is a front view thereof;
FIG. 4 is rear view thereof; and,
FIG. 5 is a top view thereof.

1 Claim, 5 Drawing Sheets



(56)

References Cited

U.S. PATENT DOCUMENTS

6,036,082	A *	3/2000	Caldarone	B23K 37/0452
				228/212
6,148,881	A	11/2000	Valenzuela	
6,222,151	B1 *	4/2001	Ziolkowski	B23K 37/0435
				219/158
6,230,585	B1 *	5/2001	Bator	F16H 61/0009
				137/343
6,270,044	B1 *	8/2001	Kakehi	B23K 9/201
				228/175
7,114,732	B1 *	10/2006	Ismail	B23K 9/32
				280/47.24
7,721,456	B2 *	5/2010	Marichi Rodriguez .	A61C 7/14
				33/513
8,065,967	B2	11/2011	Wong	
8,151,458	B2	4/2012	Hlavaty et al.	
8,777,204	B2	7/2014	Ruland	
8,784,939	B2	7/2014	Romero et al.	
8,794,612	B2	8/2014	Chuang	
8,807,549	B2	8/2014	Henze et al.	
8,991,024	B2	3/2015	Barillaro et al.	
9,015,917	B2	4/2015	Norton	
9,022,333	B2	5/2015	Chen et al.	
9,022,374	B1	5/2015	Baryam	
9,027,913	B2	5/2015	Li	
2005/0212236	A1	9/2005	Tiramani et al.	
2010/0140232	A1 *	6/2010	Brunnecker	B23K 37/0435
				219/121.63
2010/0301533	A1 *	12/2010	Wong	B23K 37/0435
				269/8
2017/0173779	A1	6/2017	Prado	

* cited by examiner

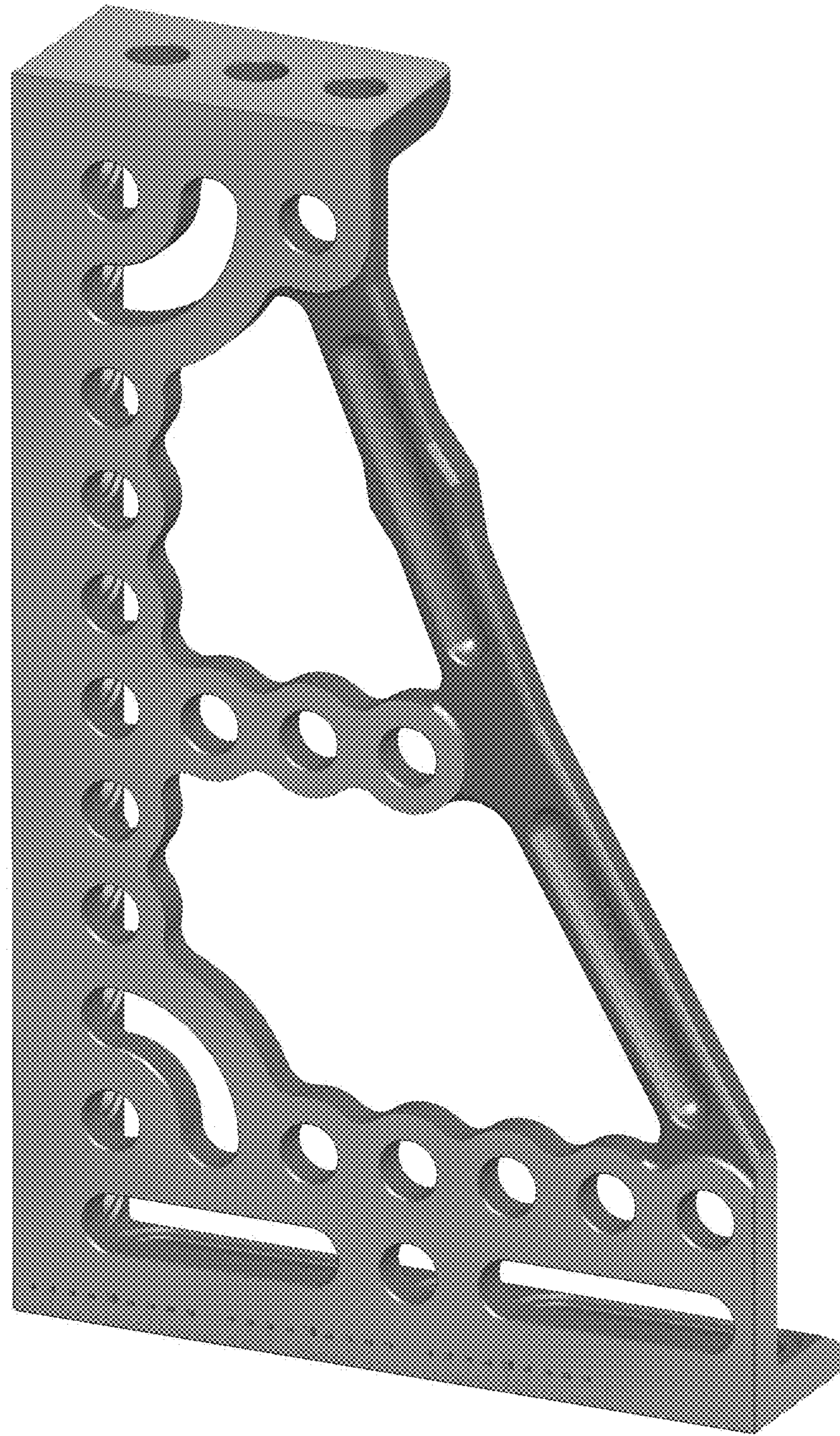


FIG. 1

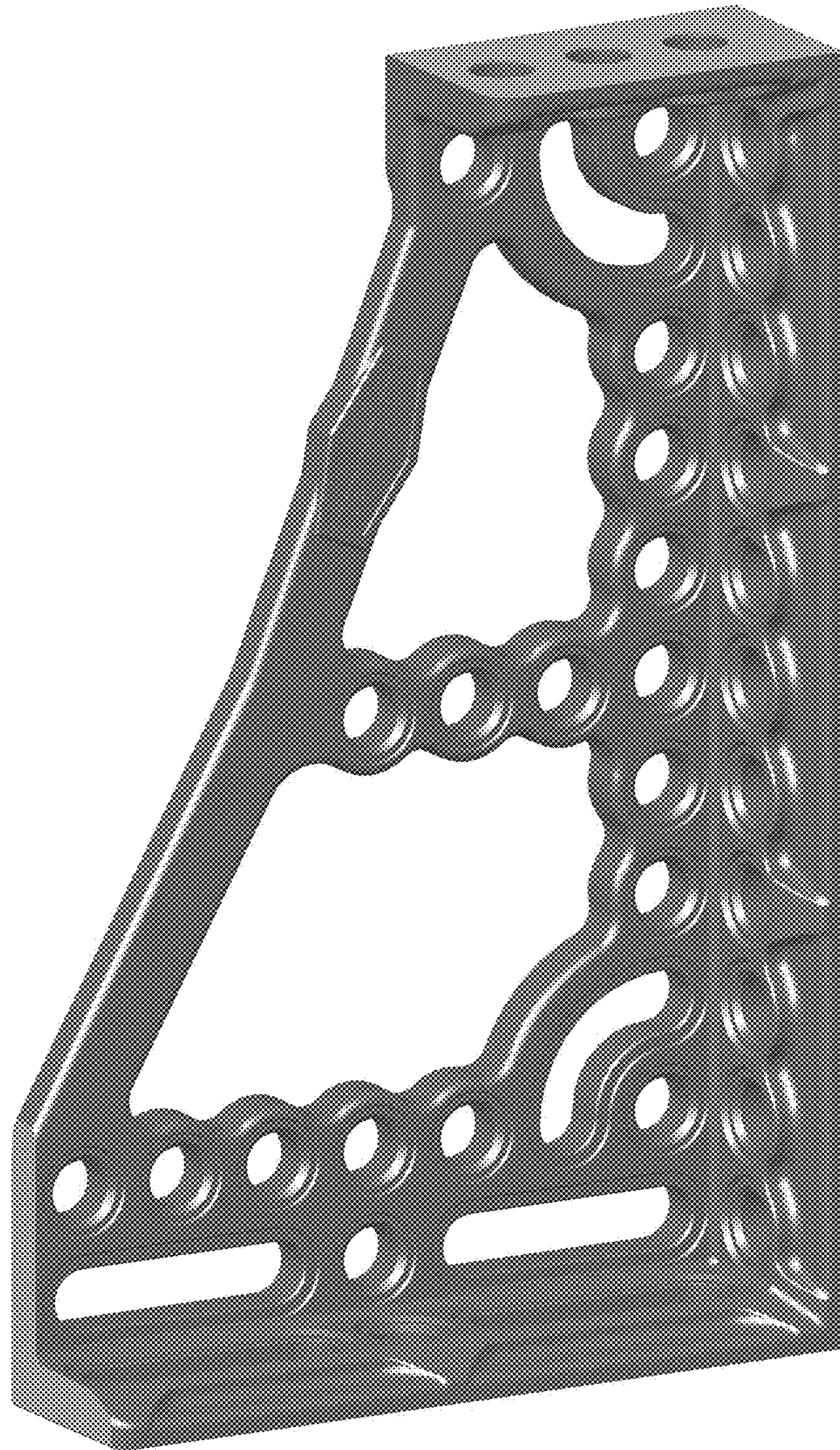


FIG. 2

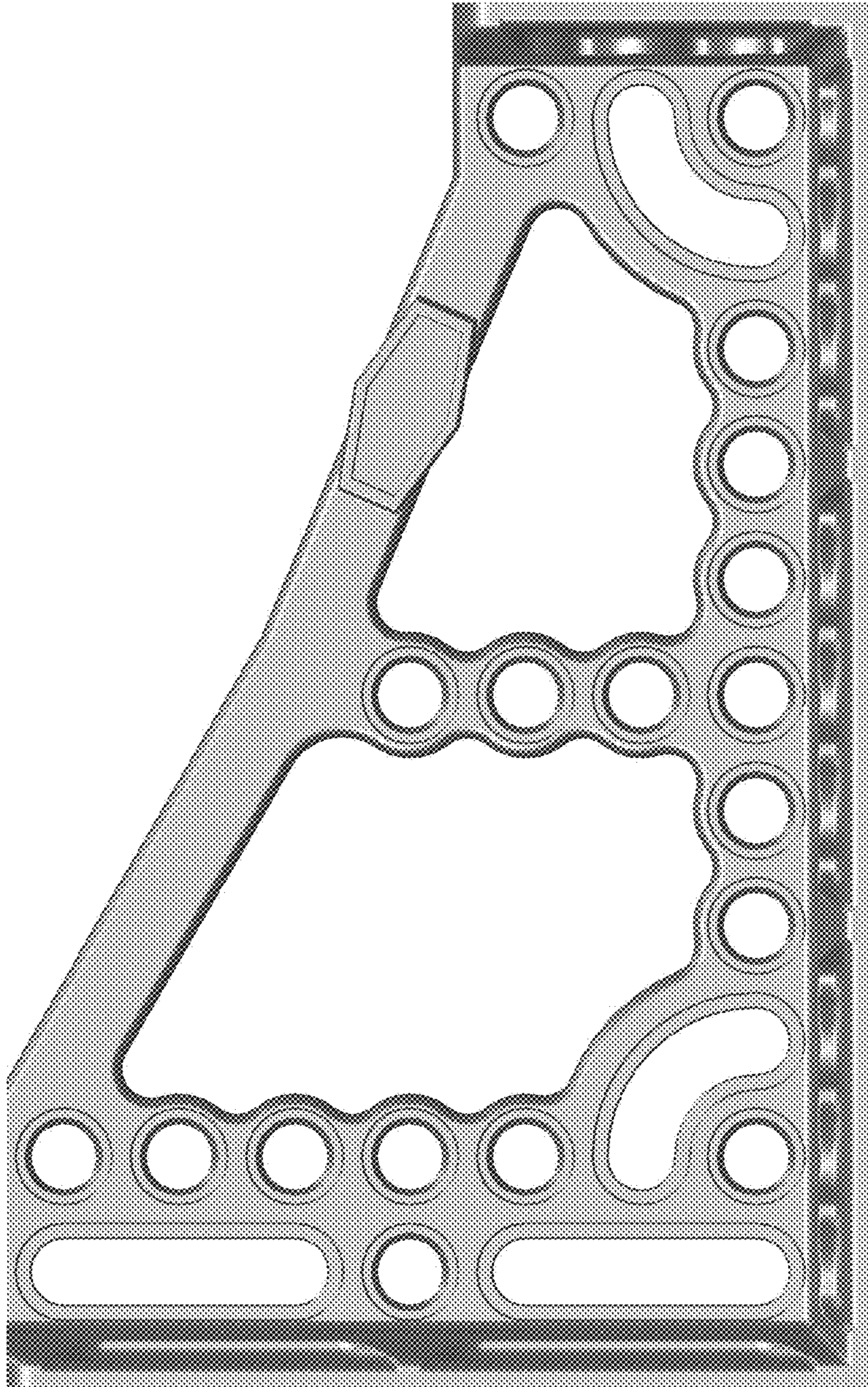


FIG. 3

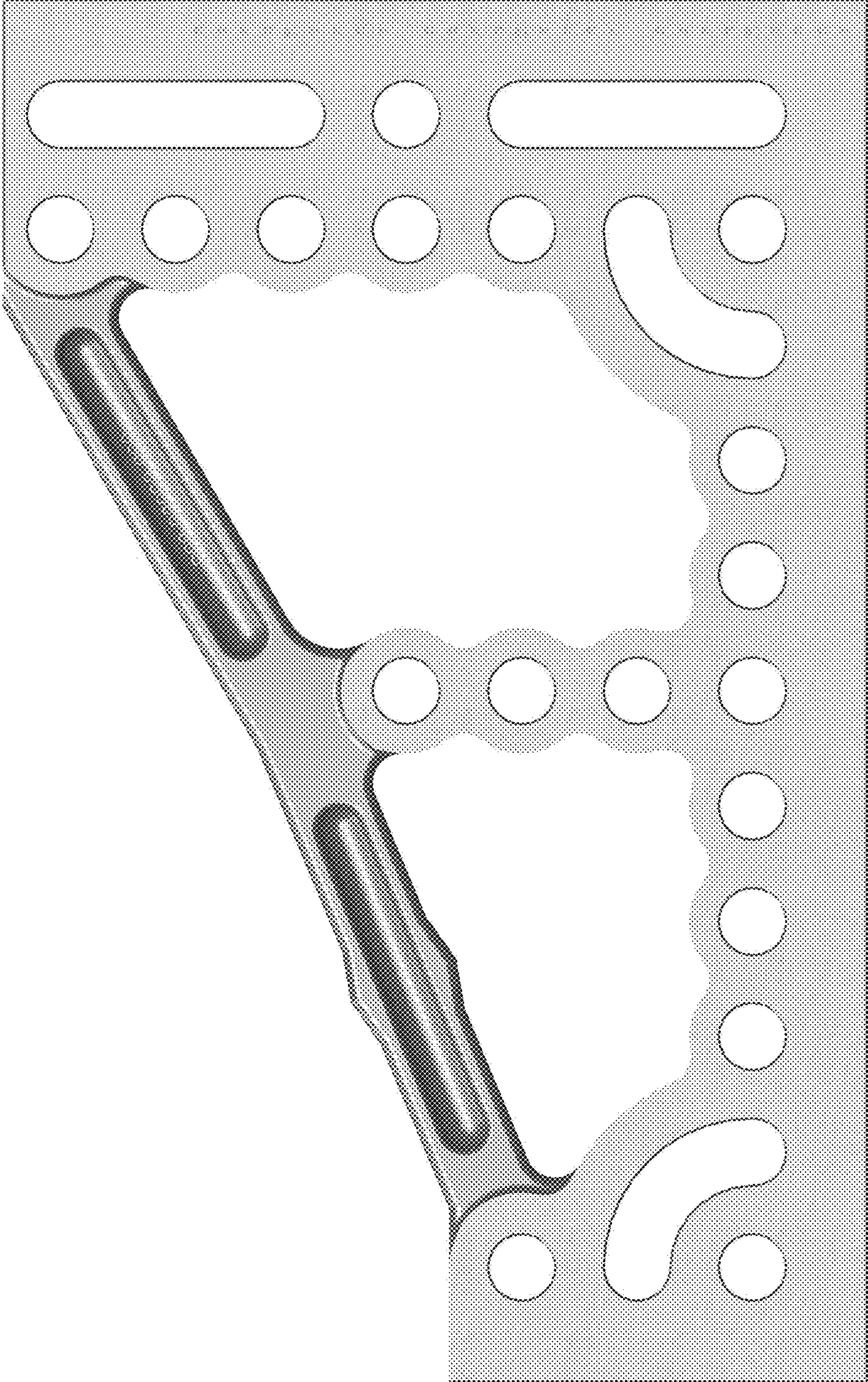


FIG. 4

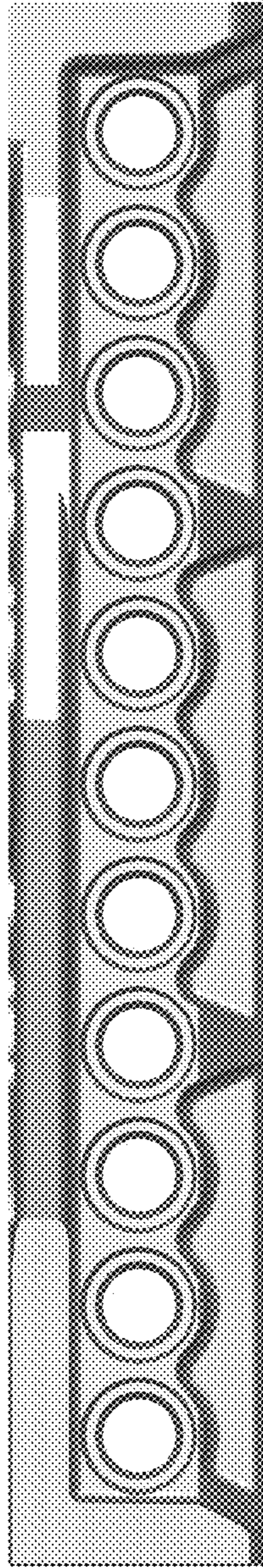


FIG. 5