



US00D812116S

(12) **United States Design Patent**
Choi et al.

(10) **Patent No.:** **US D812,116 S**
(45) **Date of Patent:** **** Mar. 6, 2018**

(54) **CUTTING INSERT**

(71) Applicant: **TaeguTec Ltd.**, Daegu (KR)

(72) Inventors: **Chang-Hee Choi**, Daegu (KR);
Hee-Yun Son, Daegu (KR)

(73) Assignee: **TaeguTec Ltd.**, Daegu (KR)

(**) Term: **15 Years**

(21) Appl. No.: **29/588,663**

(22) Filed: **Dec. 22, 2016**

(30) **Foreign Application Priority Data**

Jun. 29, 2016 (KR) 30-2016-0031755

(51) **LOC (11) Cl.** **15-03**

(52) **U.S. Cl.**
USPC **D15/139**

(58) **Field of Classification Search**
USPC D15/139, 140
CPC B23C 2200/81; B23C 2200/0455; B23C
2200/0461; B23C 2200/0477; B23C
2200/0483; B23C 2200/0494
See application file for complete search history.

(56) **References Cited**

U.S. PATENT DOCUMENTS

D470,516 S * 2/2003 Andersson D15/139
D470,517 S * 2/2003 Andersson D15/139

D502,473 S * 3/2005 Tong D15/139
D589,542 S * 3/2009 Takashi D15/139
D741,923 S * 10/2015 Jung D15/139

* cited by examiner

Primary Examiner — Ian Simmons

Assistant Examiner — Khawaja Anwar

(74) *Attorney, Agent, or Firm* — Hamre, Schumann,
Mueller & Larson, P.C.

(57) **CLAIM**

The ornamental design for a cutting insert, as shown and described.

DESCRIPTION

FIG. 1 is a perspective view of a cutting insert showing our new design;
FIG. 2 is a front elevational view thereof;
FIG. 3 is a rear elevational view thereof;
FIG. 4 is a left side view thereof;
FIG. 5 is a right side view thereof;
FIG. 6 is a top plan view thereof;
FIG. 7 is a bottom plan view thereof; and,
FIG. 8 is a cross-sectional view taken along line 8-8 of FIG. 6.

The broken lines depict portions of the cutting insert that form no part of the claimed design. The dash-dot-dash broken lines define the bounds of the claimed design and form no part thereof.

1 Claim, 4 Drawing Sheets

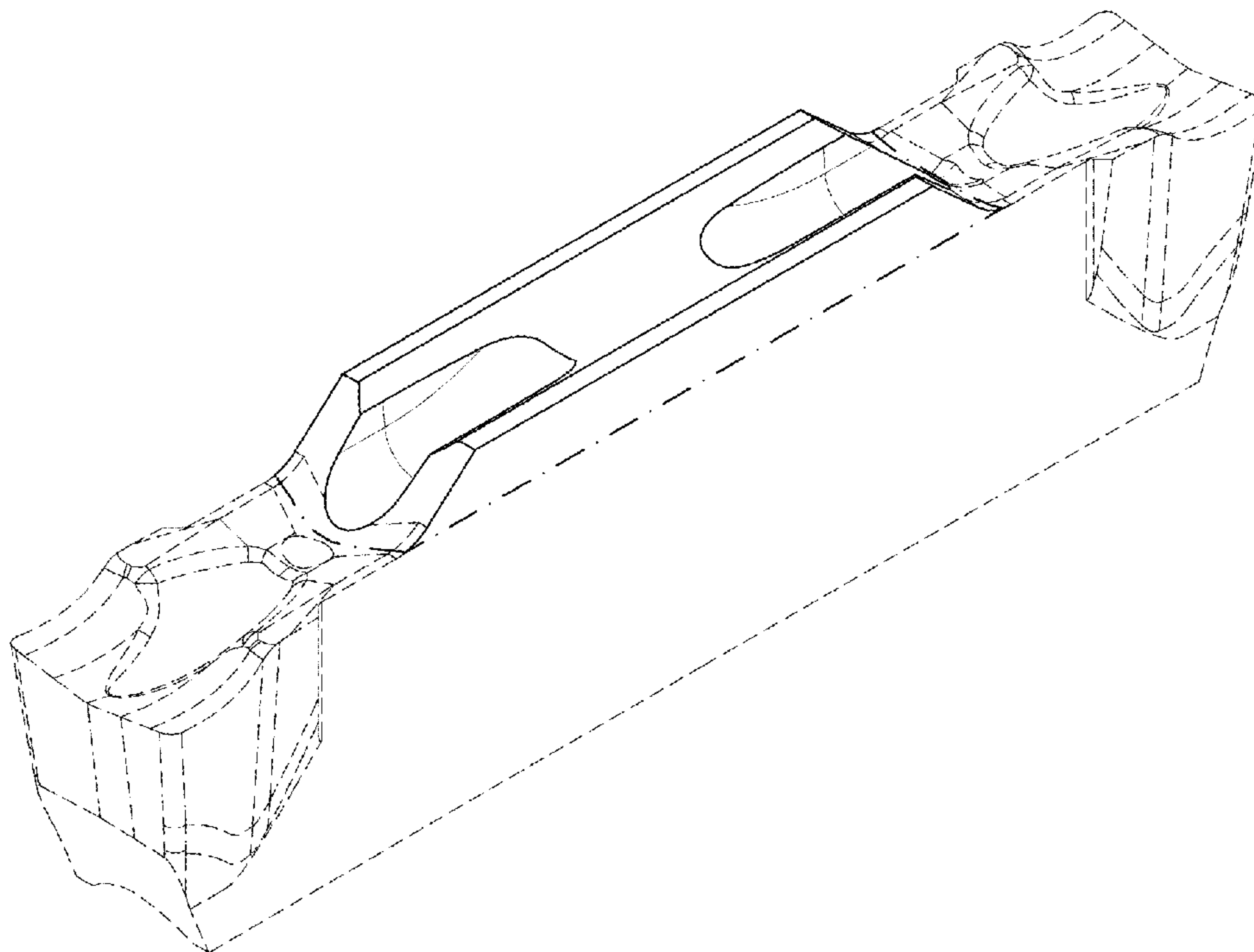


Fig. 1

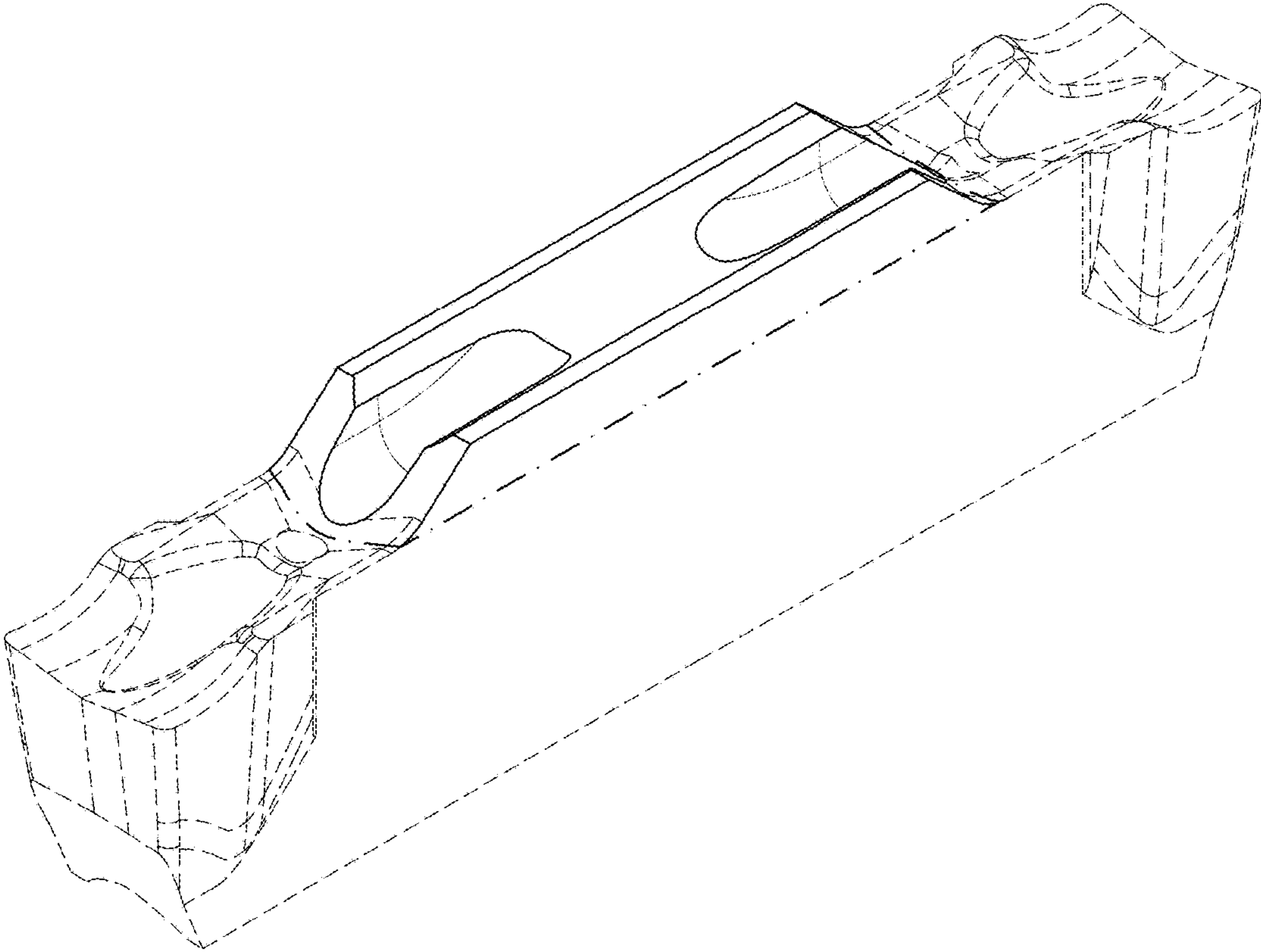


Fig. 2

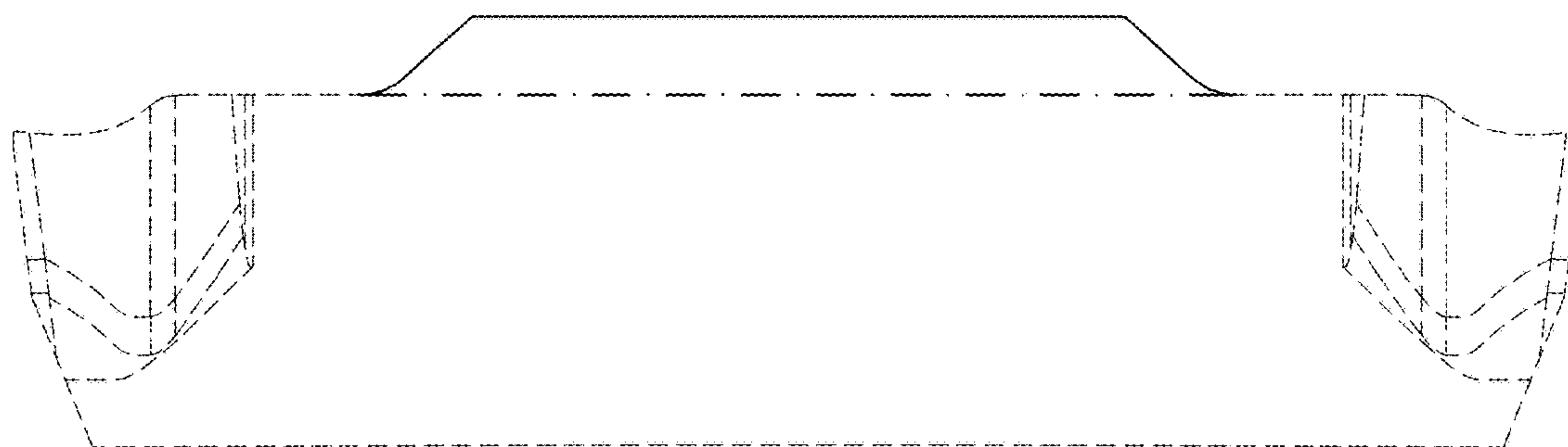


Fig. 3

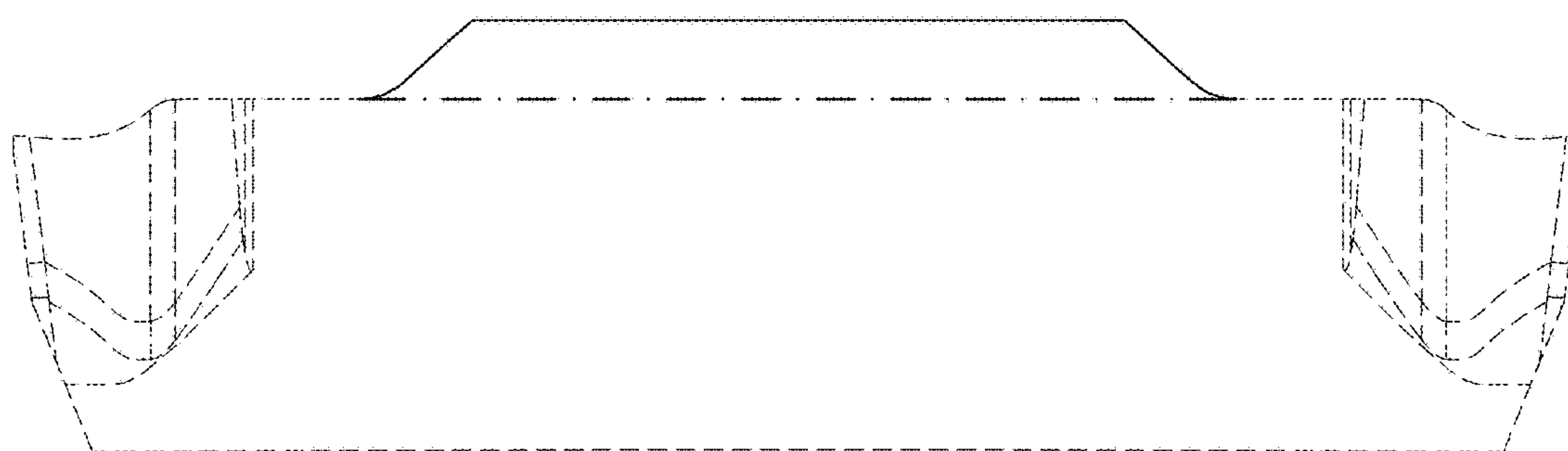


Fig. 4

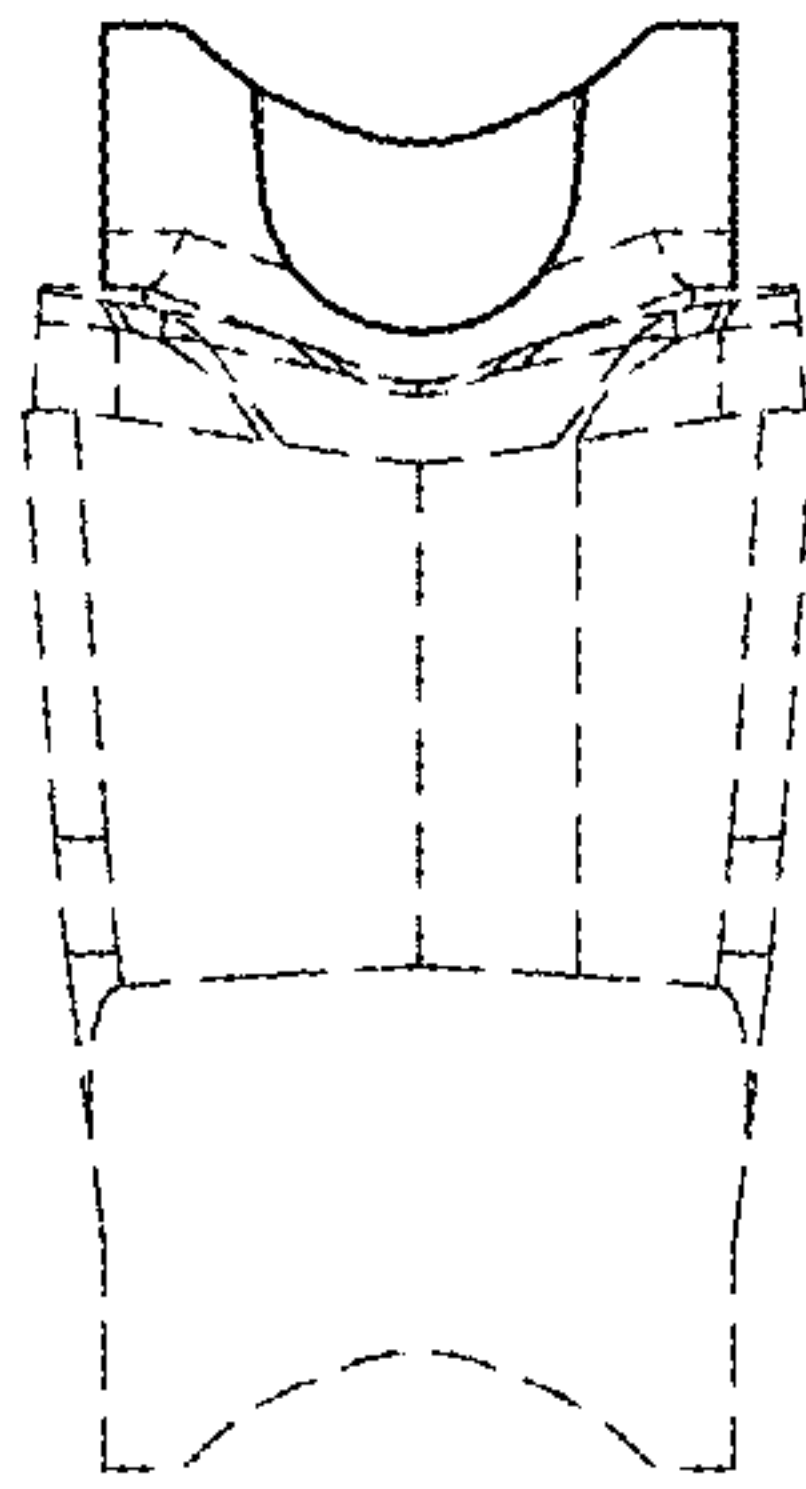


Fig. 5

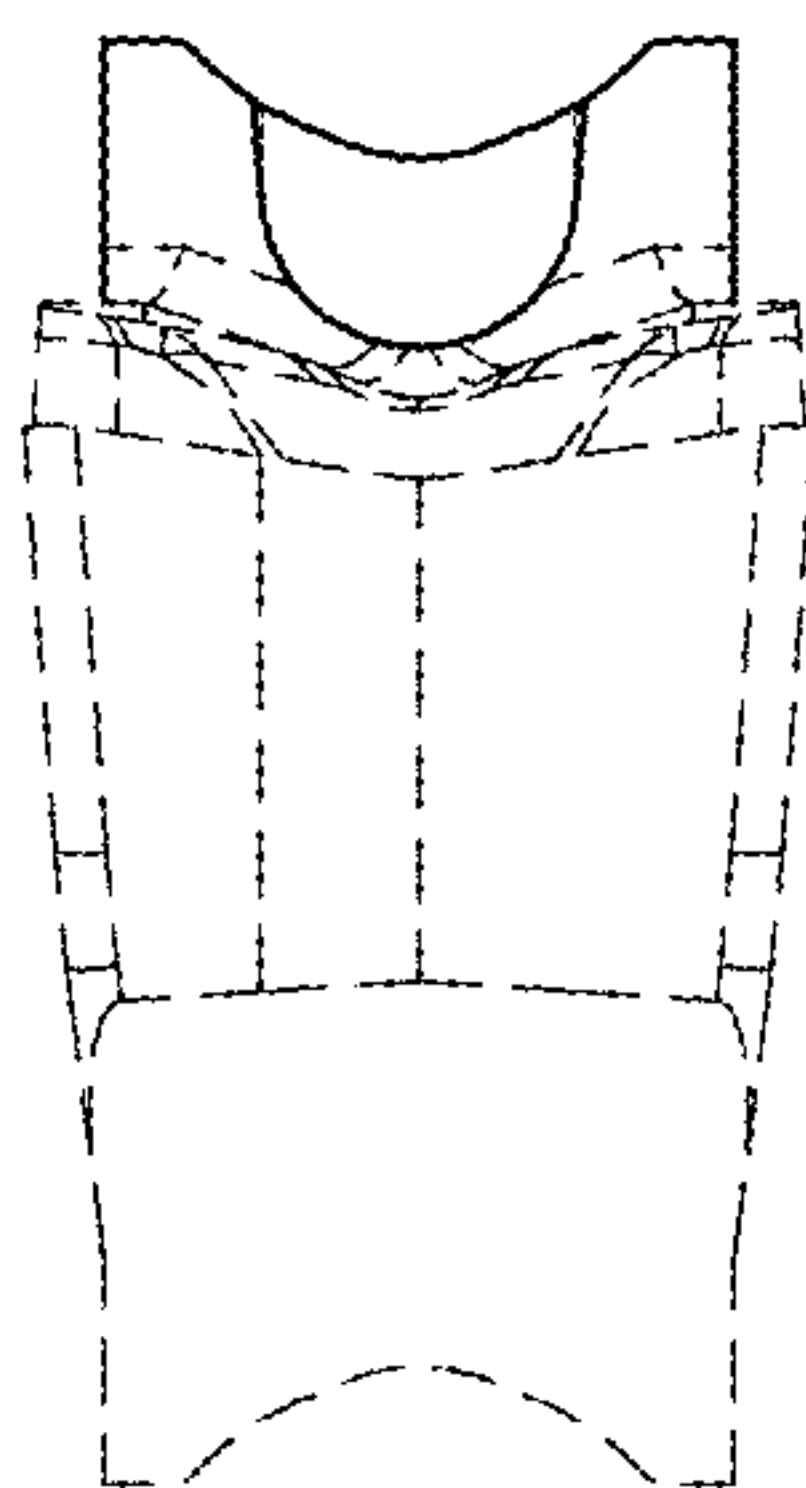


Fig. 6

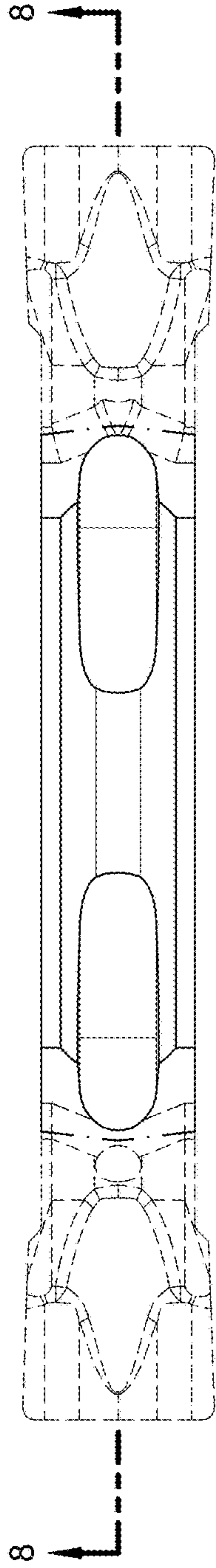


Fig. 7

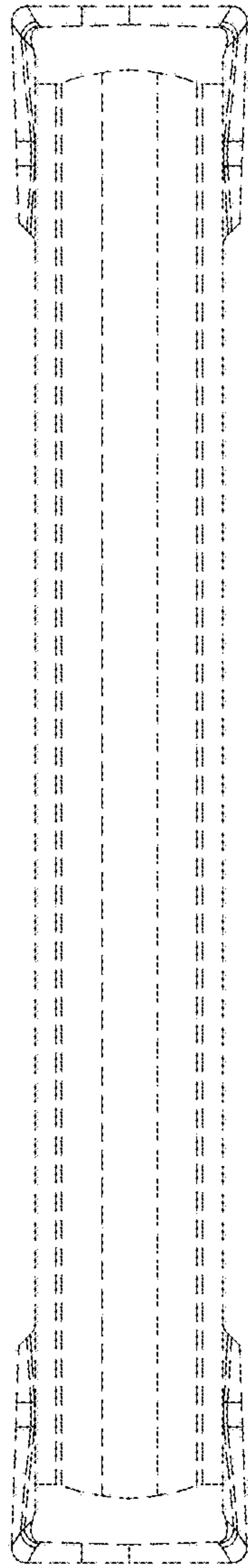


Fig. 8

