



US00D812115S

(12) **United States Design Patent**
MacLennan et al.

(10) **Patent No.:** **US D812,115 S**
(45) **Date of Patent:** **** Mar. 6, 2018**

(54) **TOOTH FOR MECHANICAL EQUIPMENT**

(71) Applicant: **PRENBEC EQUIPMENT INC.**,
Montreal (Quebec) (CA)

(72) Inventors: **Charles MacLennan**, Rigaud (CA);
Robert MacLennan, Pointe-Claire
(CA); **Denis Rioux**, Rimouski (CA);
Stephane Larouche, Rimouski (CA)

(73) Assignee: **PRENBEC EQUIPMENT INC.**,
Montreal, Quebec (CA)

(**) Term: **15 Years**

(21) Appl. No.: **29/546,829**

(22) Filed: **Nov. 25, 2015**

Related U.S. Application Data

(63) Continuation of application No. 13/868,751, filed on
Apr. 23, 2013, now abandoned.

(51) **LOC (11) Cl.** **15-09**

(52) **U.S. Cl.**
USPC **D15/139**

(58) **Field of Classification Search**
USPC D8/20, 70; D15/133, 139
CPC A01G 23/091; B02C 18/182; B23C 5/202;
B23C 5/207; B27B 33/08; B27G 13/10
See application file for complete search history.

(56) **References Cited**

U.S. PATENT DOCUMENTS

3,945,289 A * 3/1976 Baez Rios B23D 61/028
83/831
4,214,499 A 7/1980 Ellis
4,932,447 A * 6/1990 Morin A01G 23/091
144/218
5,058,477 A 10/1991 MacLennan

5,085,112 A 2/1992 MacLennan
5,088,371 A 2/1992 MacLennan
5,131,305 A 7/1992 MacLennan
5,205,190 A 4/1993 MacLennan
5,205,199 A * 4/1993 MacLennan B23D 61/04
83/839
5,211,212 A 7/1993 Carlson et al.
5,307,719 A 5/1994 MacLennan
5,481,952 A 1/1996 MacLennan
5,644,965 A * 7/1997 MacLennan B23D 61/06
144/241
5,647,263 A * 7/1997 Wildey B23D 61/04
83/835
5,813,308 A 9/1998 Vvildey et al.
D488,174 S * 4/2004 East D15/139
6,725,758 B2 * 4/2004 MacLennan B23D 61/04
83/839

(Continued)

FOREIGN PATENT DOCUMENTS

CA 2011788 C 4/1992
CA 2084013 C 11/1994

(Continued)

Primary Examiner — Patricia Palasik

(74) *Attorney, Agent, or Firm* — Ladas & Parry LLP

(57) **CLAIM**

We claim the ornamental design for a tooth for mechanical
equipment, as shown and described.

DESCRIPTION

FIG. 1 is a top perspective view showing our new design for
a tooth;

FIG. 2 is a bottom perspective view thereof;

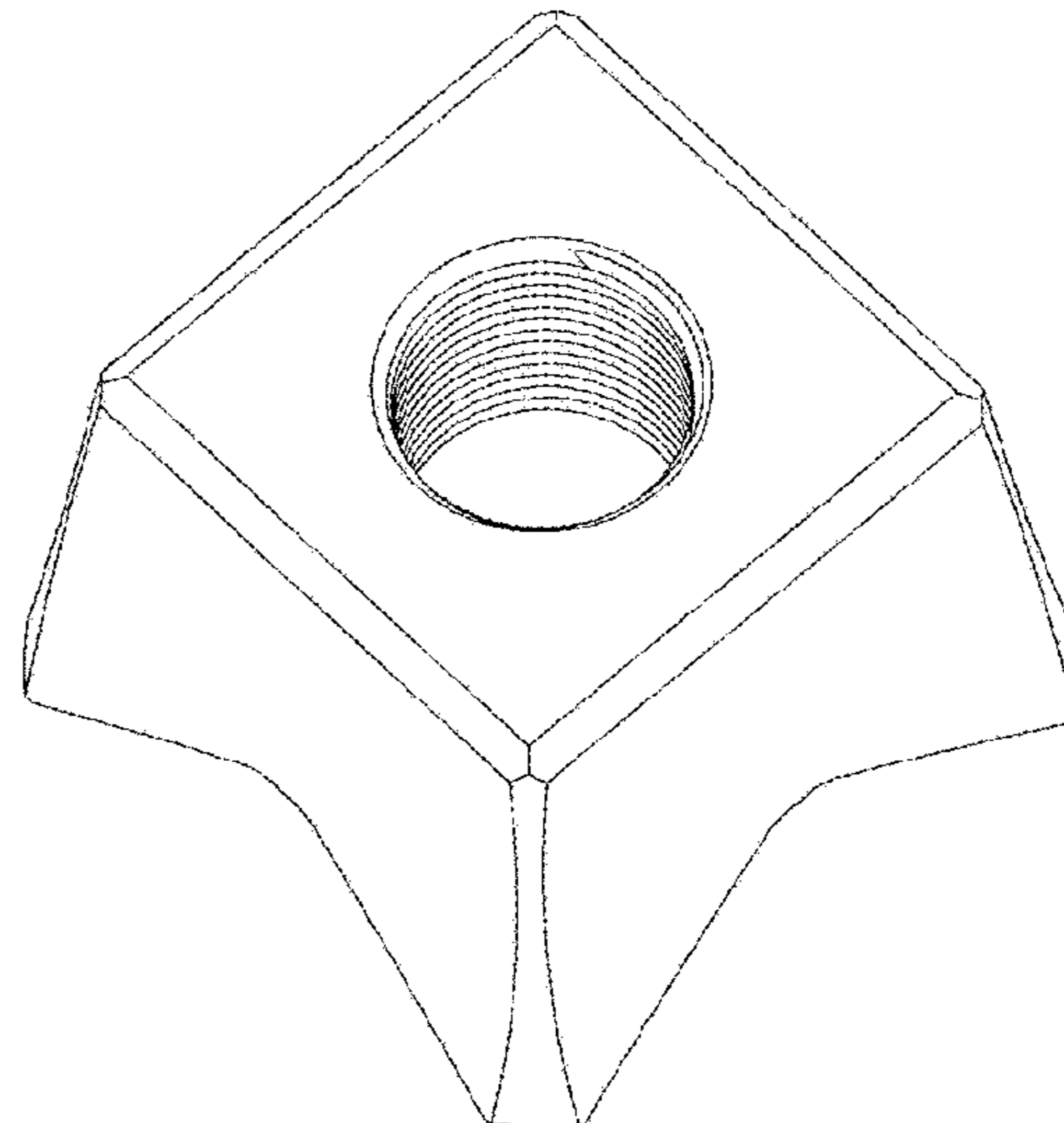
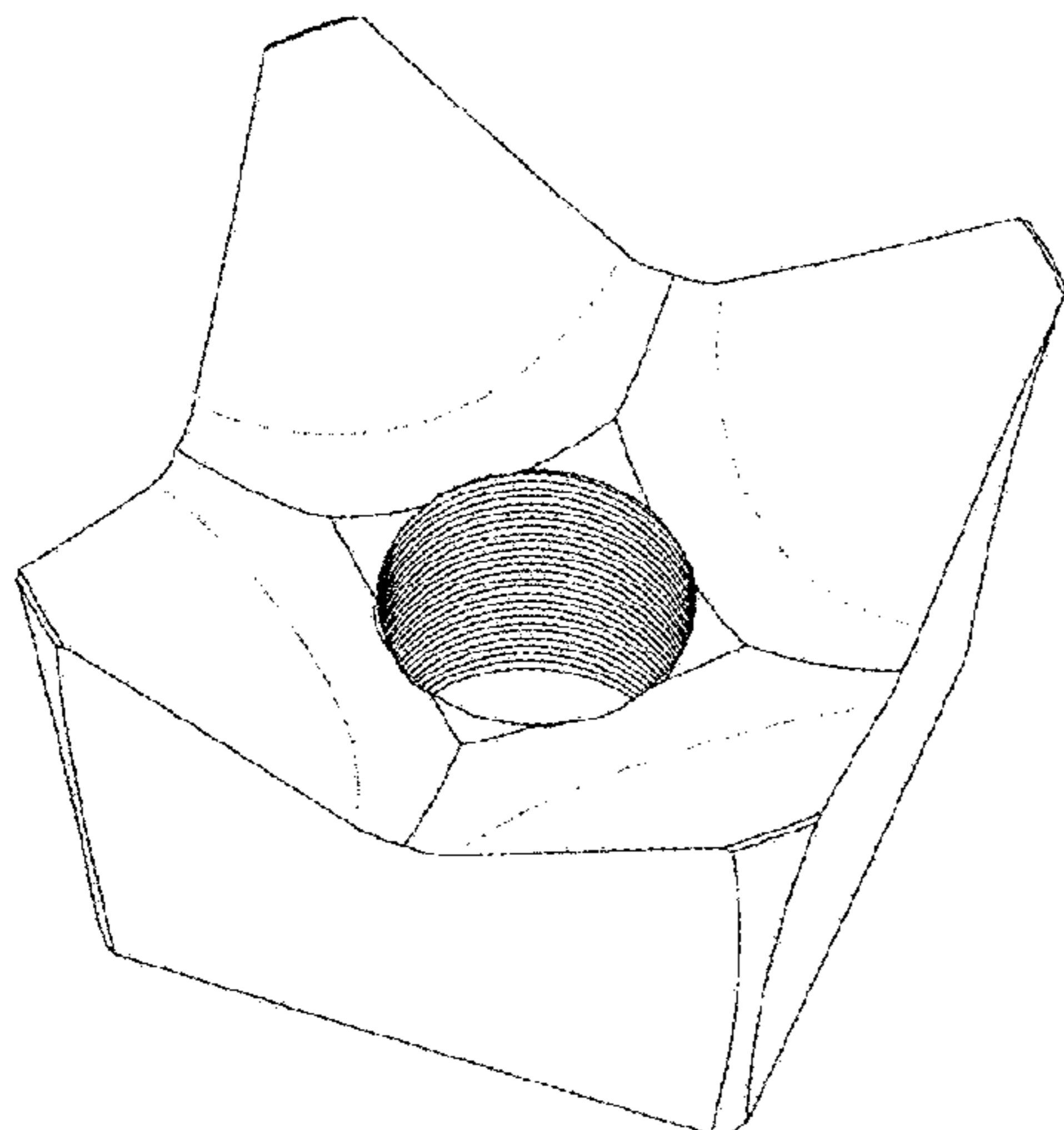
FIG. 3 is a top view thereof;

FIG. 4 is a bottom view thereof; and,

FIG. 5 is a front view thereof, wherein the back view is the
same, and the right and left sides are the same.

The tooth can be used for a circular saw or mower drum.

1 Claim, 3 Drawing Sheets



(56)

References Cited

U.S. PATENT DOCUMENTS

6,769,343	B2	8/2004	Disabatino	
6,810,783	B1	11/2004	Larose	
D517,104	S *	3/2006	East	D15/139
7,150,215	B2 *	12/2006	Krehel	B23D 61/06 83/835
7,634,897	B2	12/2009	MacLennan et al.	
7,713,006	B2 *	5/2010	MacLennan	B23C 5/207 407/113
7,828,026	B2	11/2010	MacLennan et al.	
7,913,432	B2	3/2011	MacLennan et al.	
D647,928	S *	11/2011	MacLennan	D15/139
8,061,396	B2	11/2011	MacLennan et al.	
2003/0188619	A1 *	10/2003	MacLennan	B23D 61/04 83/839
2007/0151430	A1 *	7/2007	MacLennan	B23C 5/207 83/13
2010/0011934	A1 *	1/2010	Micacchi	B23D 61/065 83/839
2010/0180735	A1 *	7/2010	MacLennan	A01G 23/067 83/13
2012/0291919	A1	11/2012	Micacchi	

FOREIGN PATENT DOCUMENTS

CA	2120595	C	3/1997
CA	2422463	C	1/2006
CA	2568404	C	5/2012
CA	2588927	C	5/2012

* cited by examiner

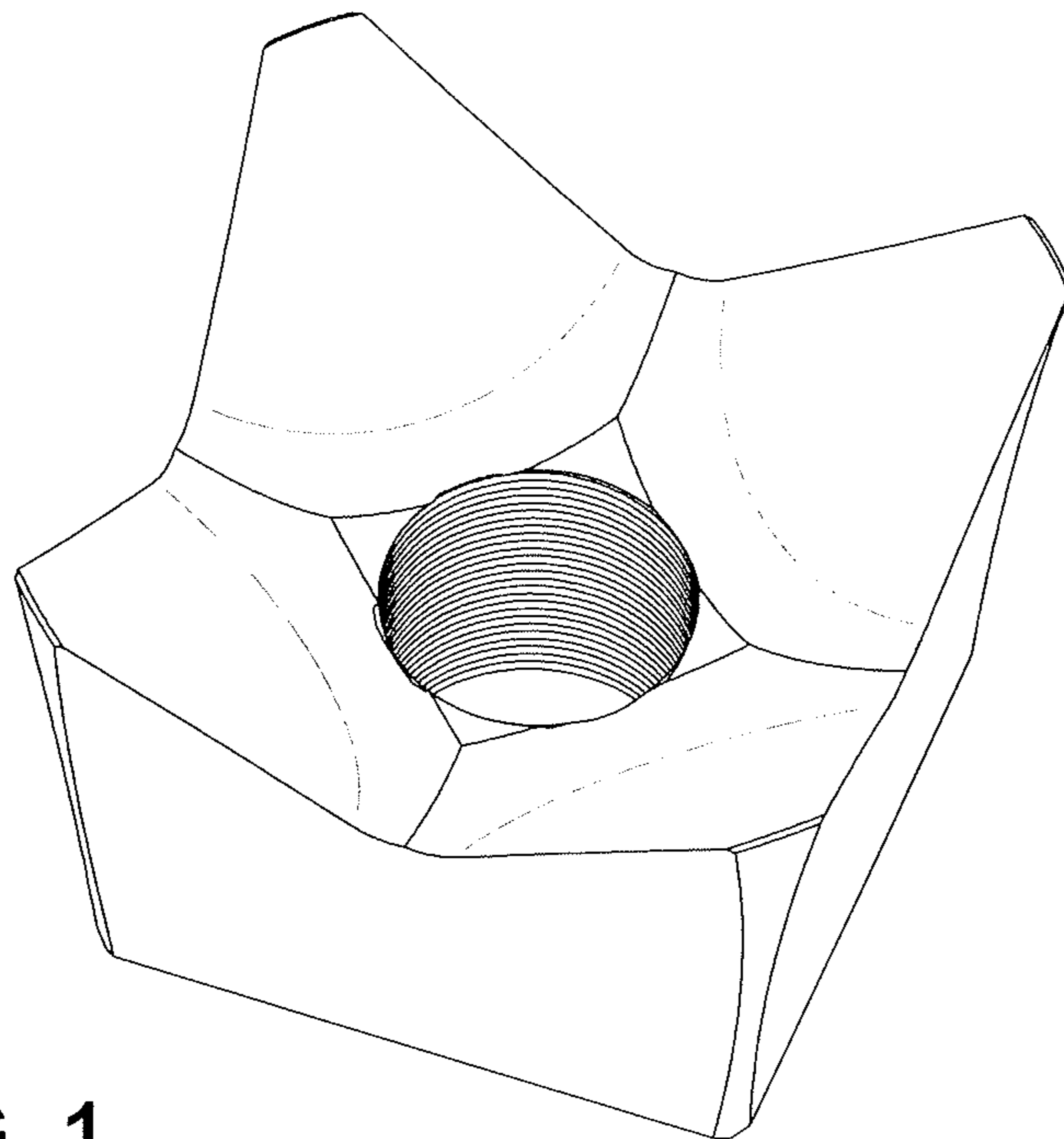


FIG. 1

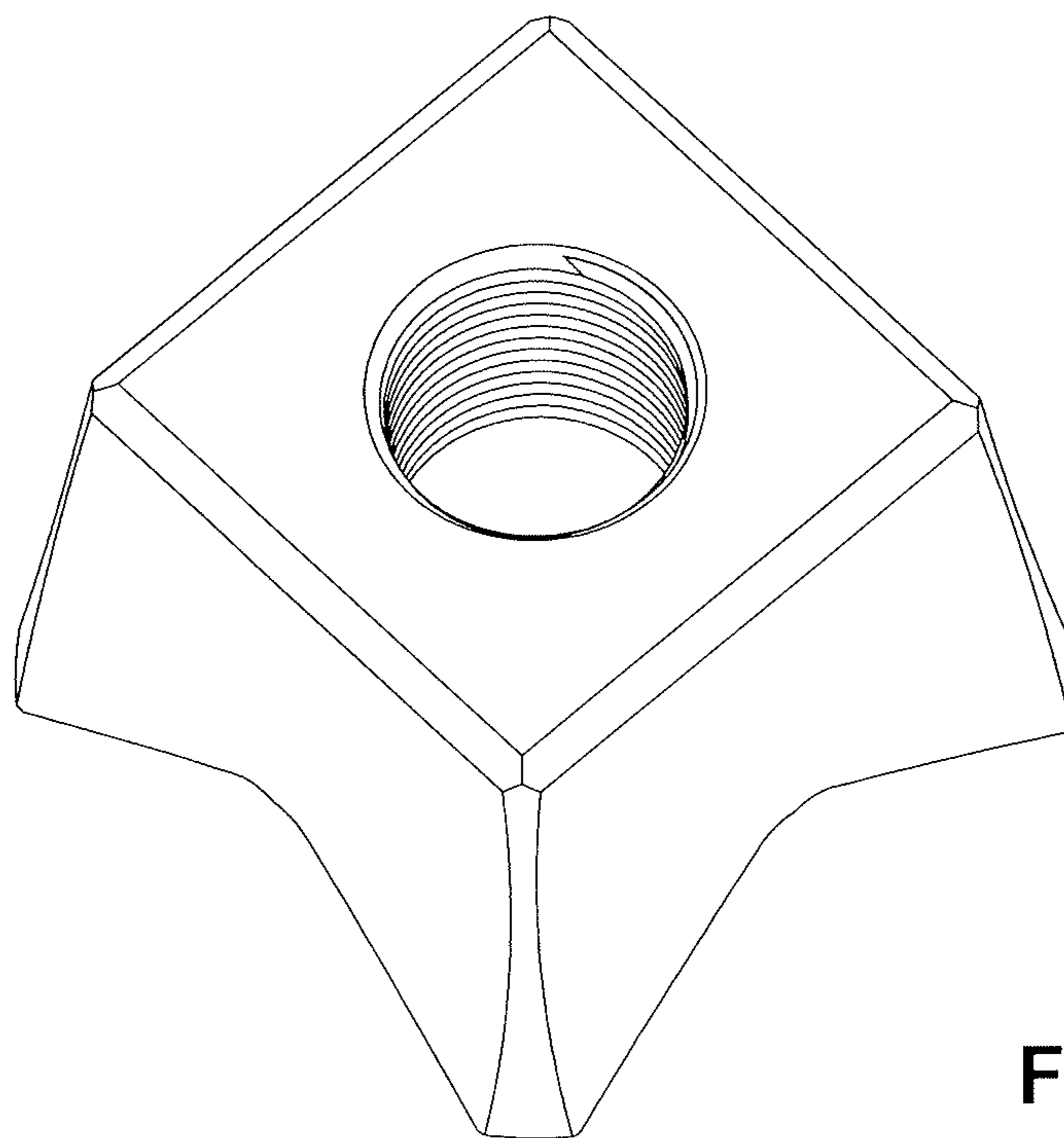


FIG. 2

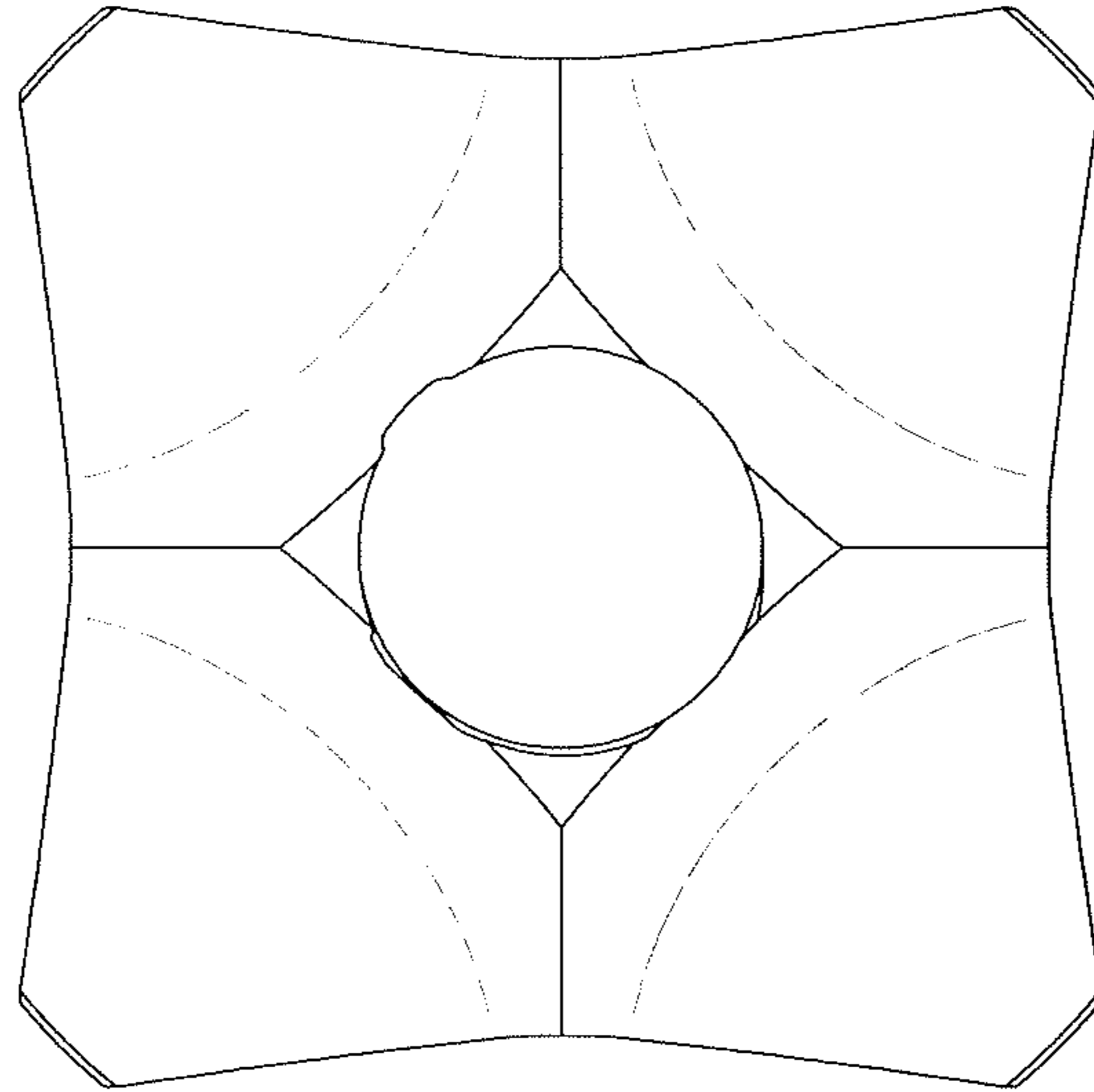


FIG. 3

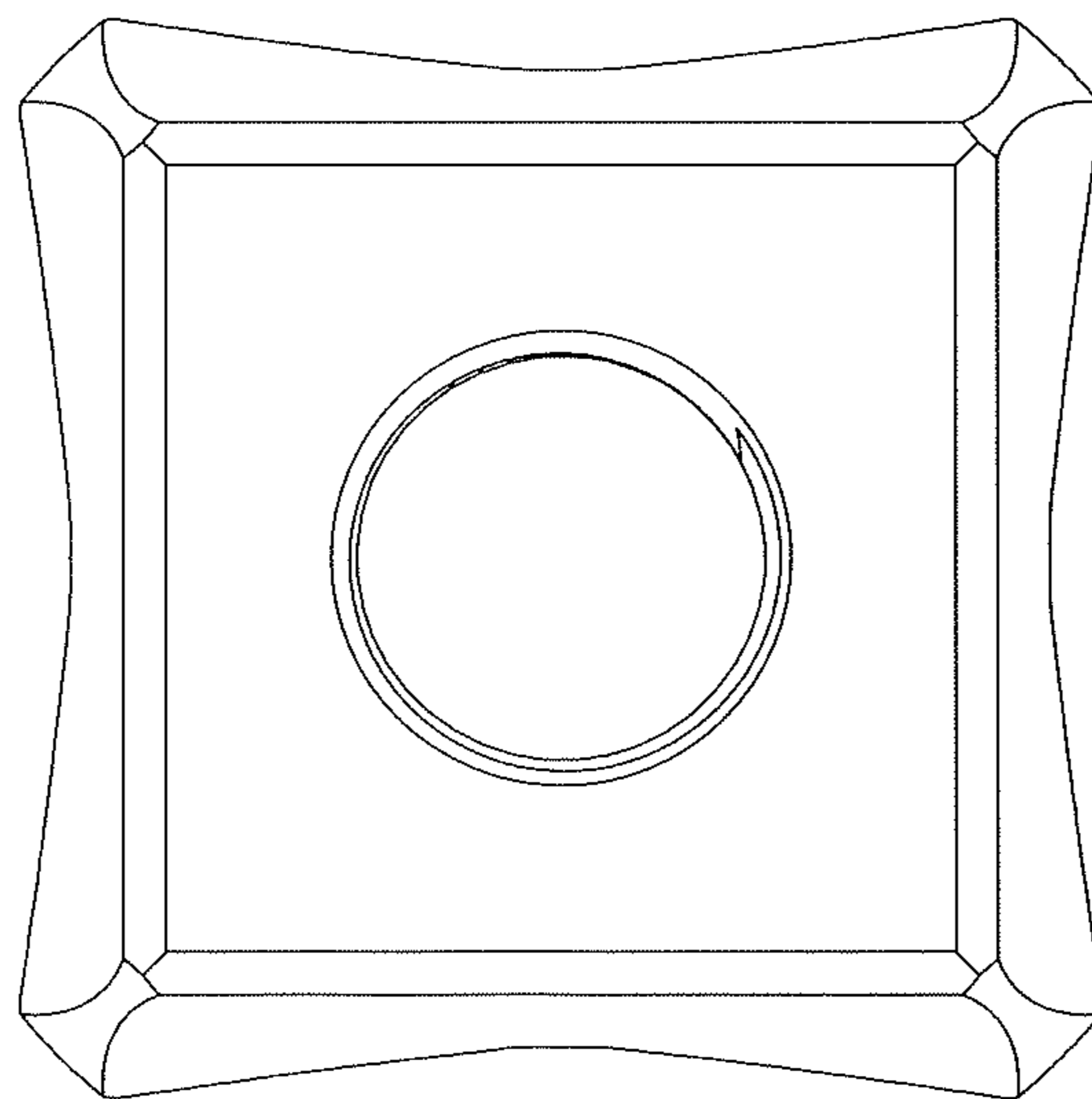


FIG. 4

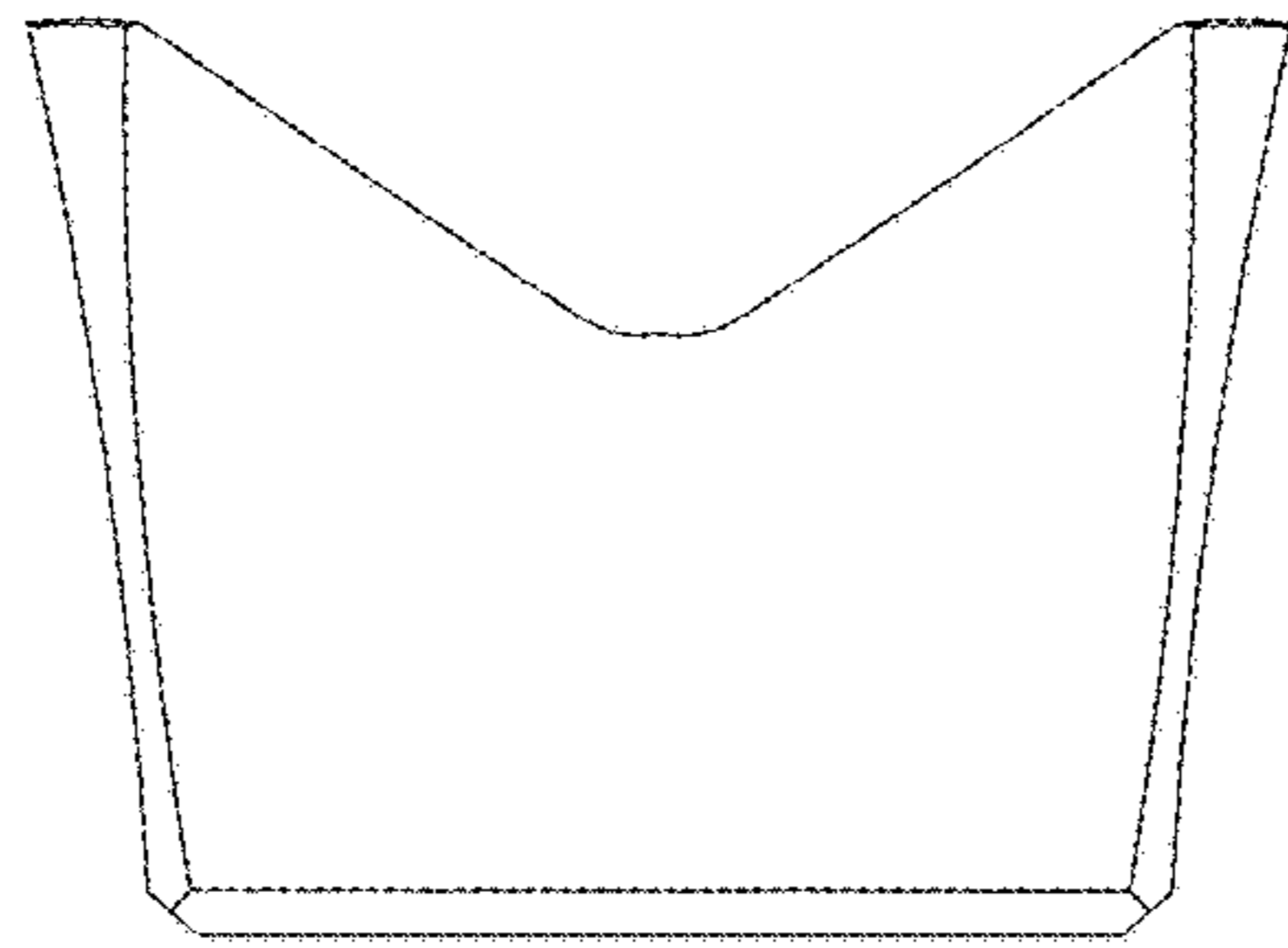


FIG. 5