



US00D812111S

(12) **United States Design Patent**  
**Sivinski**

(10) **Patent No.:** **US D812,111 S**  
(45) **Date of Patent:** **\*\* Mar. 6, 2018**

(54) **AGRICULTURAL ROW PLANTER LINK ARMS**

(71) Applicant: **Harvest International, Inc.**, Storm Lake, IA (US)

(72) Inventor: **Jeffrey Alan Sivinski**, Cherokee, IA (US)

(73) Assignee: **Harvest International, Inc.**, Storm Lake, IA (US)

(\*\*) Term: **15 Years**

(21) Appl. No.: **29/583,802**

(22) Filed: **Nov. 9, 2016**

(51) **LOC (11) Cl.** ..... **15-03**

(52) **U.S. Cl.**  
USPC ..... **D15/28**

(58) **Field of Classification Search**  
USPC ..... D15/11, 17, 21-28, 32  
CPC ..... A01B 49/027; A01B 49/02; A01B 59/002;  
A01B 59/008; A01B 59/04; A01C 5/06;  
A01C 5/068; A01C 7/08; F16C 25/02;  
F16C 17/10; F16C 33/104; F16C 33/20;  
F16C 2204/14; F16C 2204/12; F16C  
2204/00

See application file for complete search history.

(56) **References Cited**

U.S. PATENT DOCUMENTS

- 4,149,475 A \* 4/1979 Bailey ..... A01C 5/06  
111/140
- 4,413,685 A \* 11/1983 Gremelspacher ..... A01B 63/22  
111/14
- 5,234,060 A \* 8/1993 Carter ..... A01B 63/22  
172/260.5
- 5,461,995 A \* 10/1995 Winterton ..... A01C 5/06  
111/139

- 7,401,561 B1 \* 7/2008 Kurz ..... A01C 7/205  
111/62
- 8,479,669 B2 \* 7/2013 Shoup ..... A01B 35/16  
111/135
- 9,462,744 B2 \* 10/2016 Isaacson ..... A01C 7/205
- 2011/0283927 A1 \* 11/2011 Shoup ..... A01B 35/16  
111/139
- 2012/0042813 A1 \* 2/2012 Liu ..... A01B 79/005  
111/149
- 2012/0048160 A1 \* 3/2012 Adams ..... A01C 7/203  
111/163

(Continued)

OTHER PUBLICATIONS

Horsch Farming with Passion, Maestro SW, Operating Instructions; Serial No. Maestro 24 SW—24591253—Present Sep. 2013.

*Primary Examiner* — Mark Goodwin

(74) *Attorney, Agent, or Firm* — McKee, Voorhees & Sease, PLC

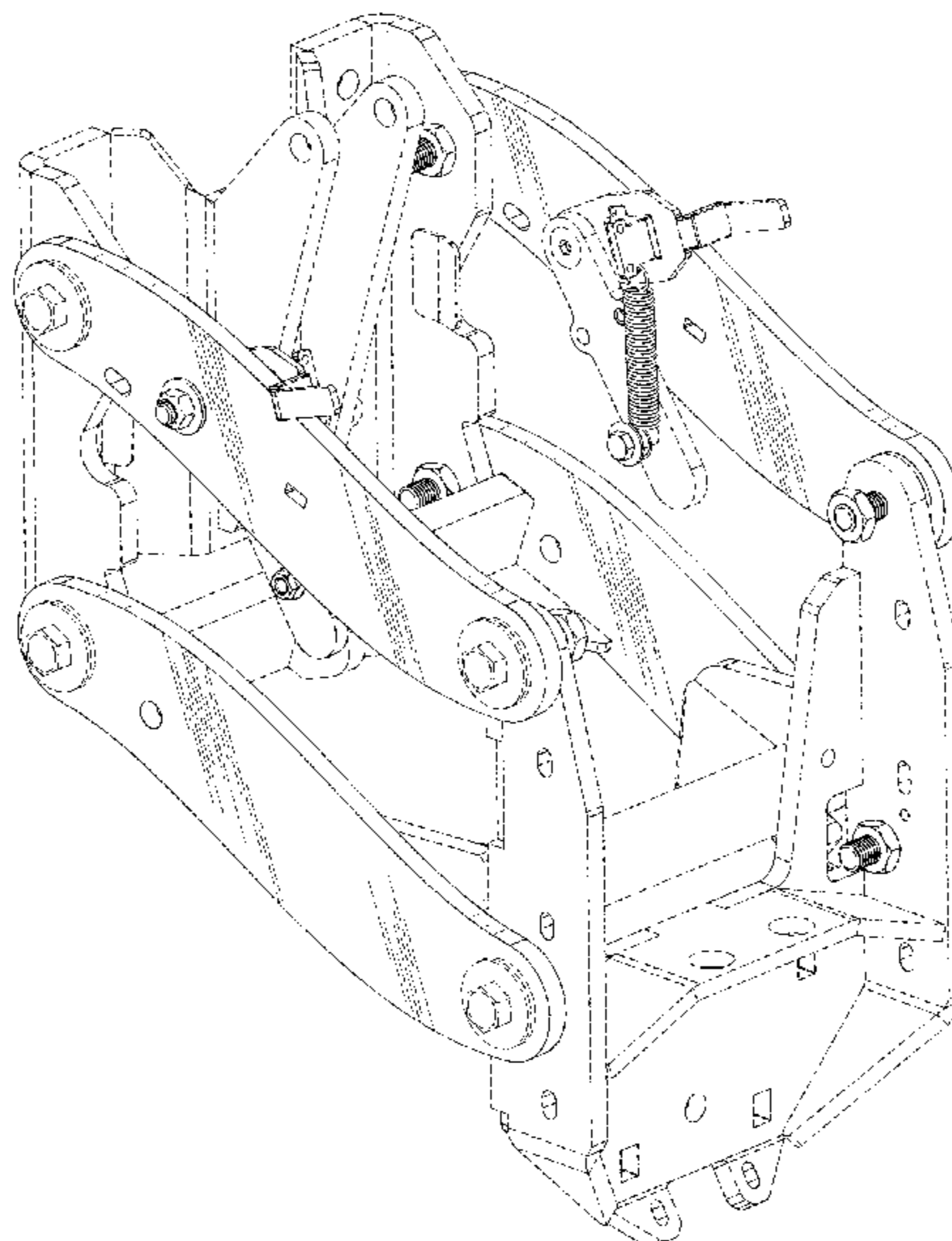
(57) **CLAIM**

I claim the ornamental design for agricultural row planter link arms, substantially as shown and described.

**DESCRIPTION**

FIG. 1 is a perspective view of the agricultural row planter link arms of the present invention, which includes a set of four arms, with upper and lower, left and right arms. FIG. 2 is a left side elevational view thereof. FIG. 3 is a right side elevational view thereof. FIG. 4 is a top plan view thereof. FIG. 5 is a bottom plan view thereof. FIG. 6 is a front end elevation view thereof; and, FIG. 7 is a rear end elevation view thereof. The broken line showing of a portion of an agricultural row planter is included for the purpose of illustrating environmental use only and forms no part of the claimed design.

**1 Claim, 7 Drawing Sheets**



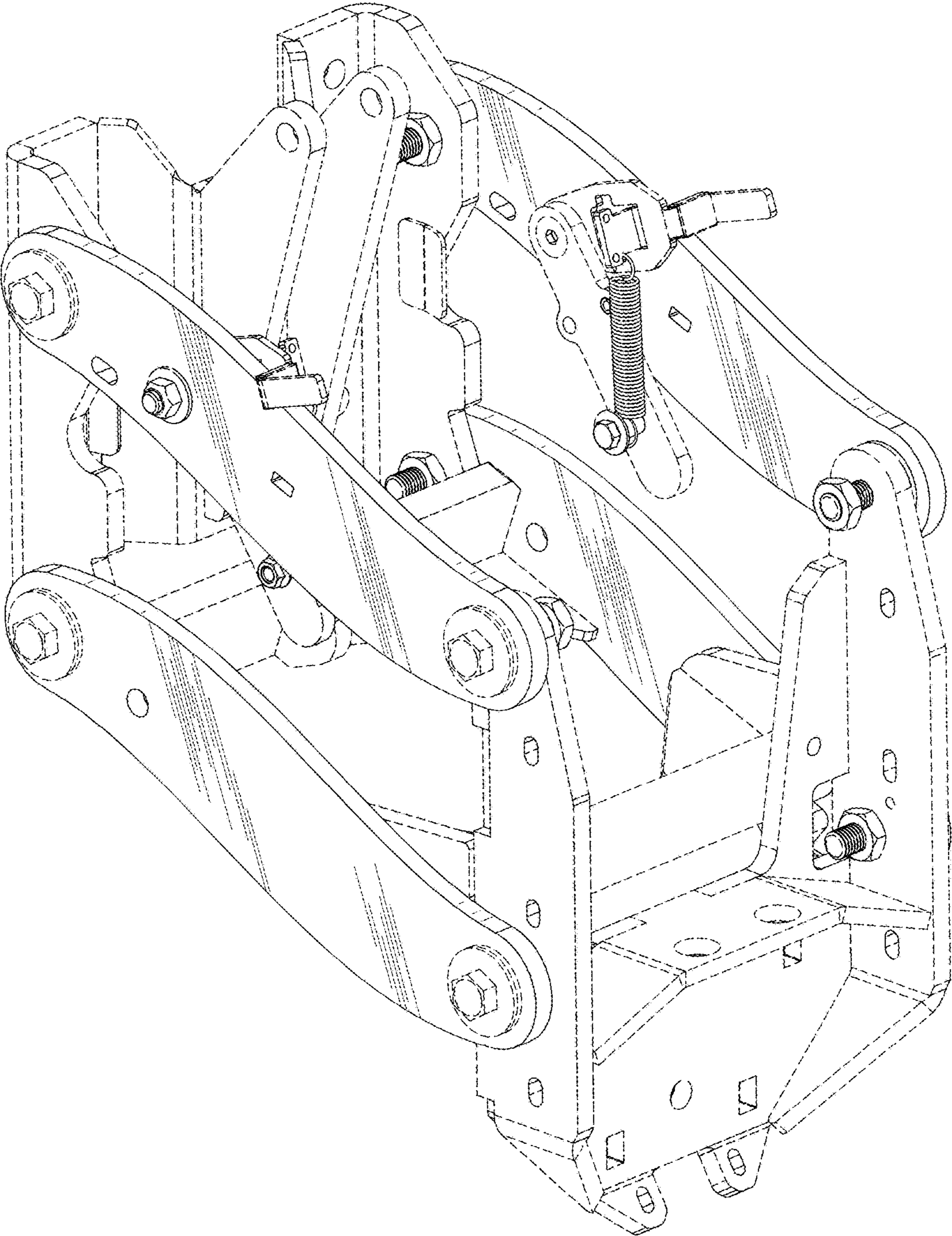
(56)

**References Cited**

U.S. PATENT DOCUMENTS

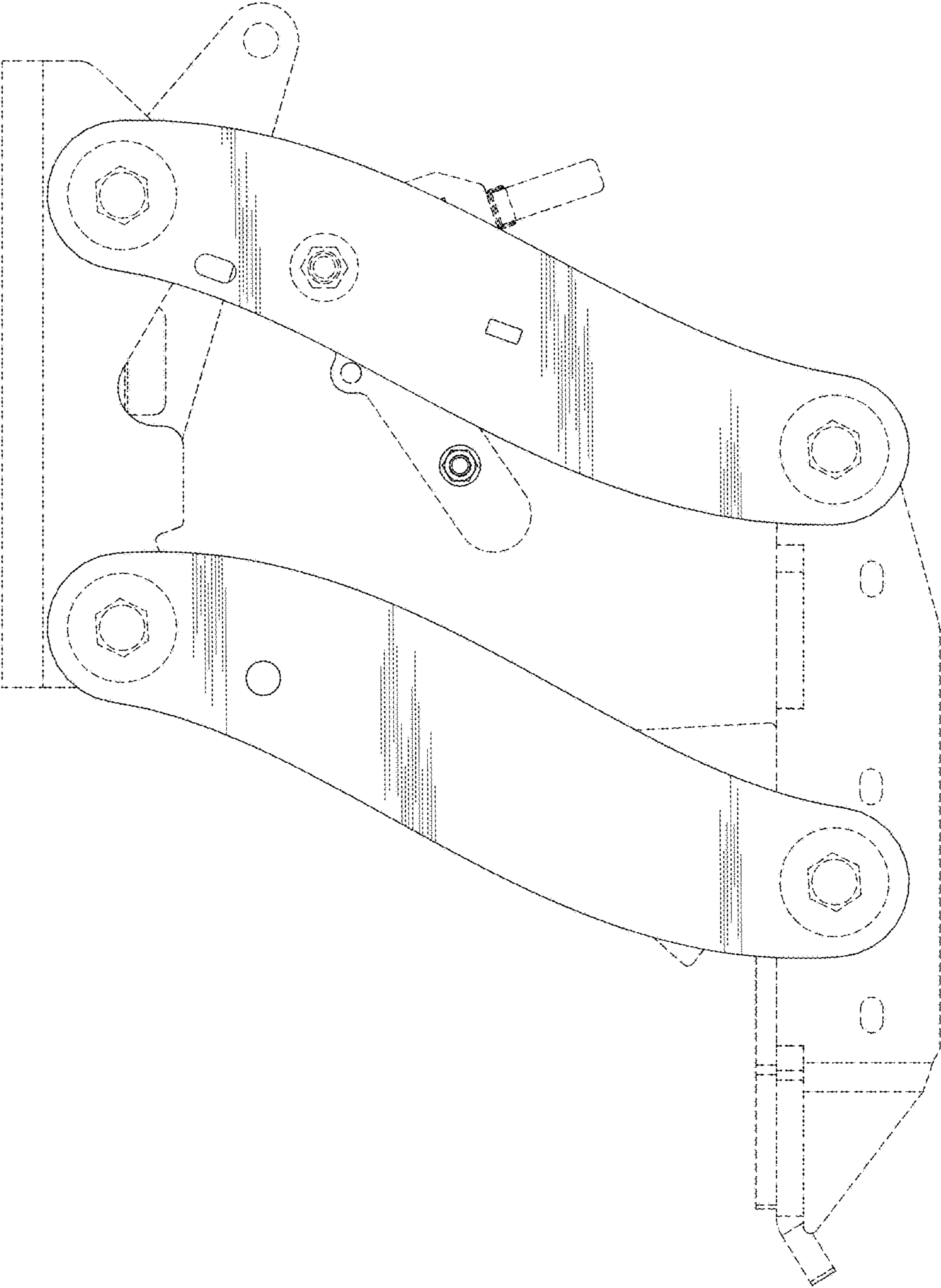
2012/0067259 A1\* 3/2012 Mariman ..... A01C 5/06  
111/164  
2014/0116735 A1\* 5/2014 Bassett ..... A01B 61/044  
172/2  
2014/0224513 A1\* 8/2014 Van Buskirk ..... A01C 5/066  
172/140  
2014/0251647 A1\* 9/2014 Isaacson ..... A01C 7/205  
172/2  
2016/0150714 A1\* 6/2016 Unruh ..... A01B 49/02  
111/140  
2016/0165789 A1\* 6/2016 Gervais ..... A01C 7/205  
700/275  
2016/0309641 A1\* 10/2016 Taunton ..... A01B 63/02  
2017/0071124 A1\* 3/2017 Werner ..... A01C 21/005  
2017/0208730 A1\* 7/2017 Butler ..... A01B 39/08  
2017/0258002 A1\* 9/2017 Sivinski ..... A01B 49/027  
2017/0261034 A1\* 9/2017 Sivinski ..... A01B 71/04

\* cited by examiner

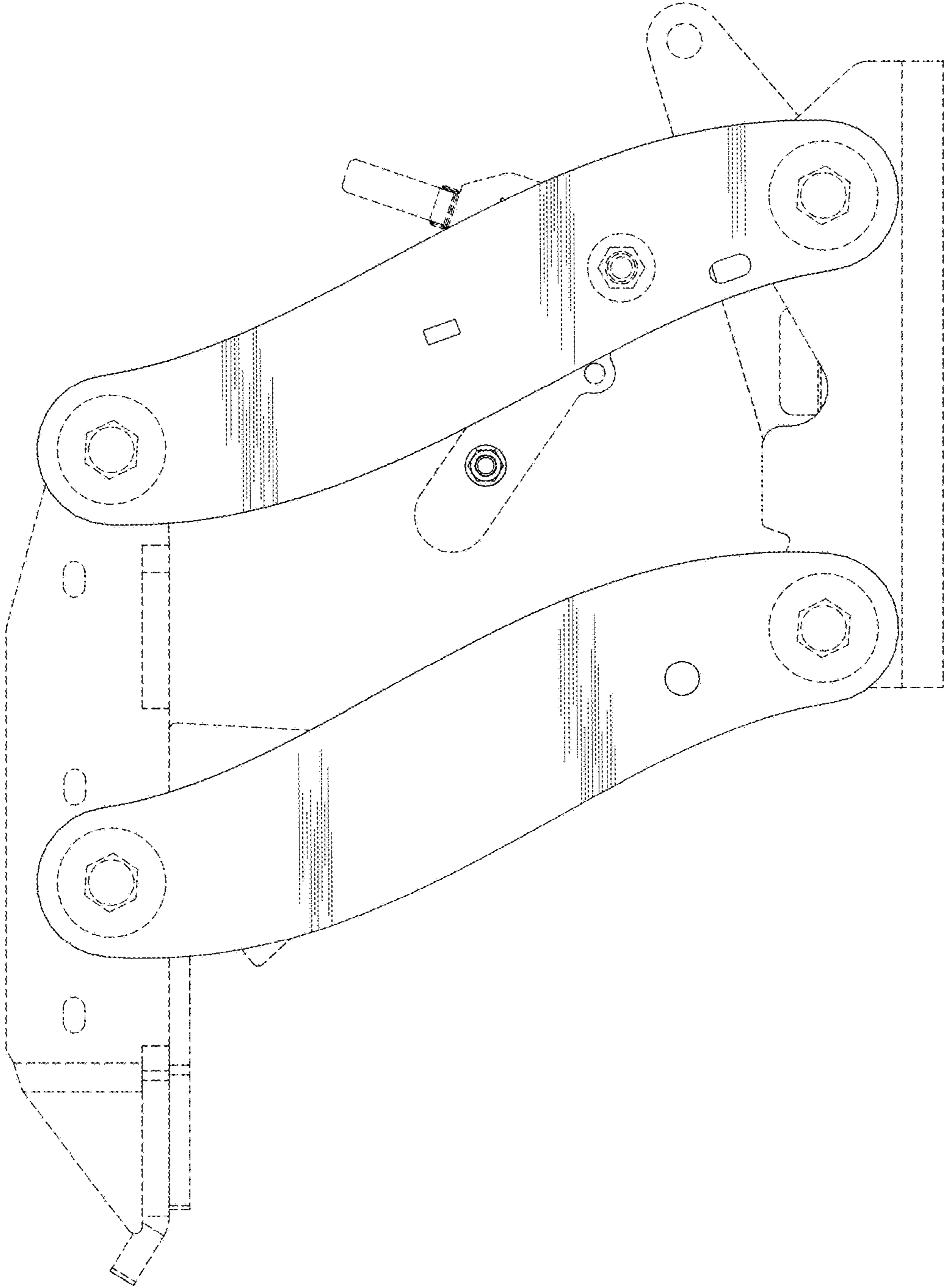


*Fig. 1*

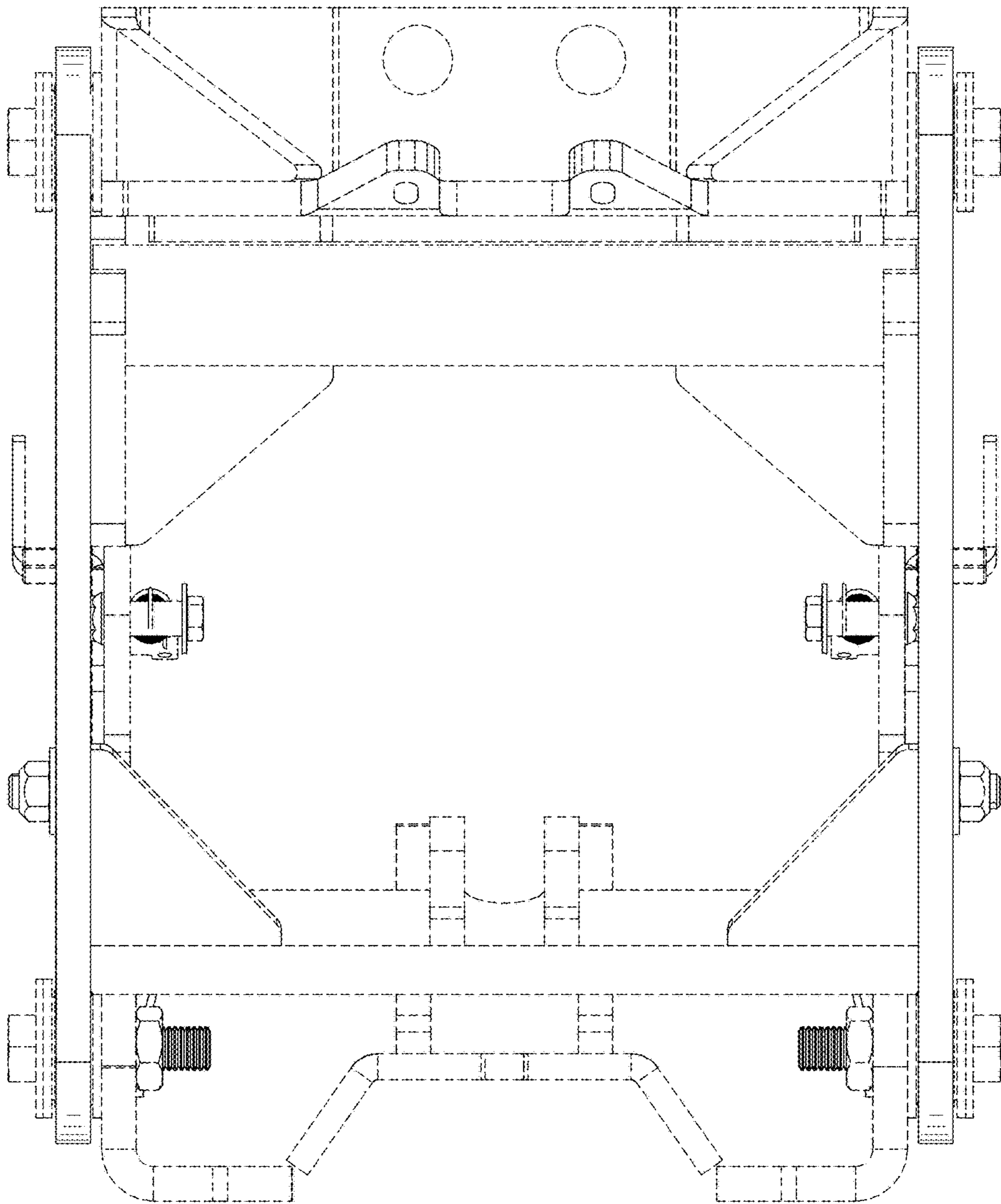




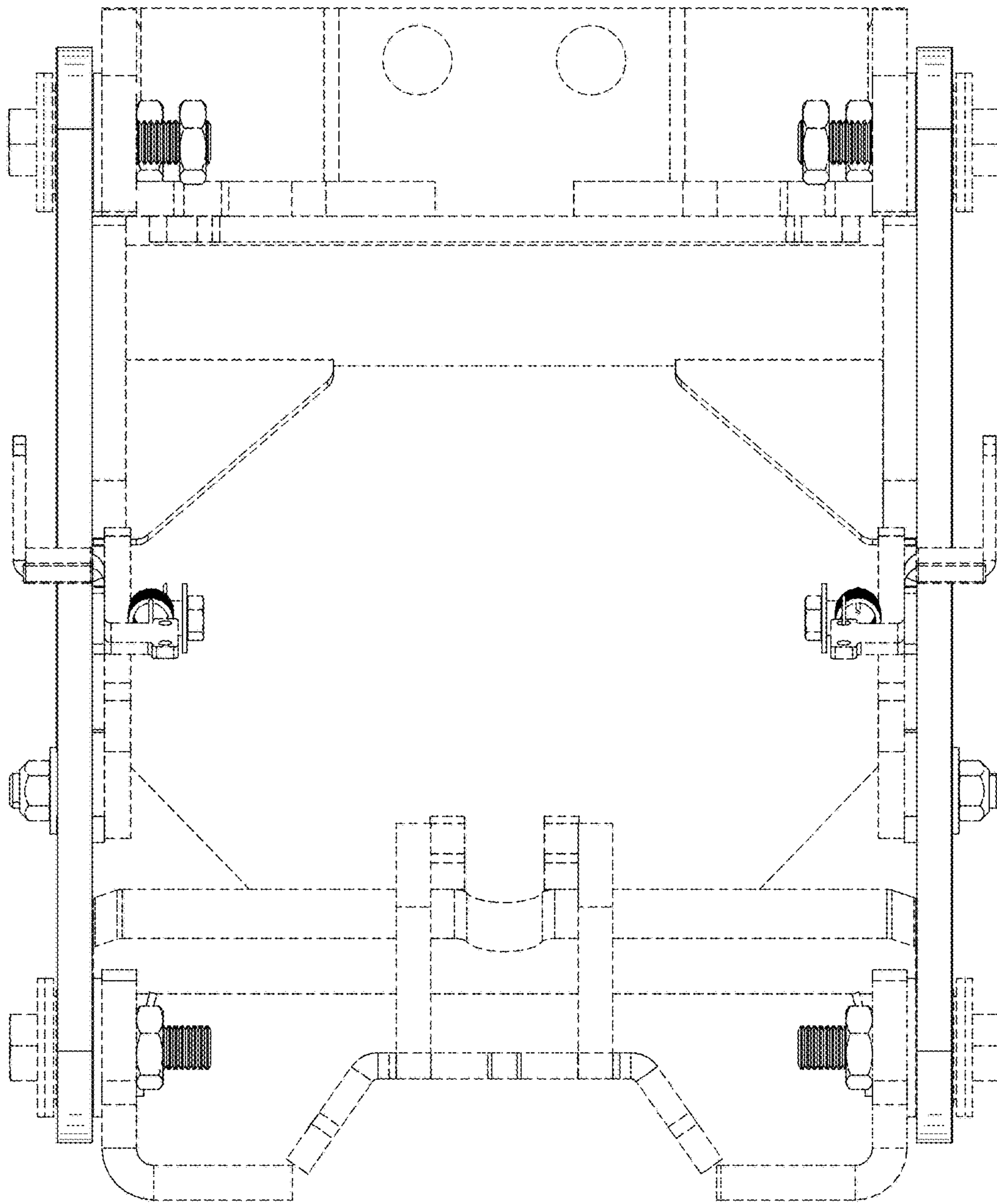
*Fig. 2*



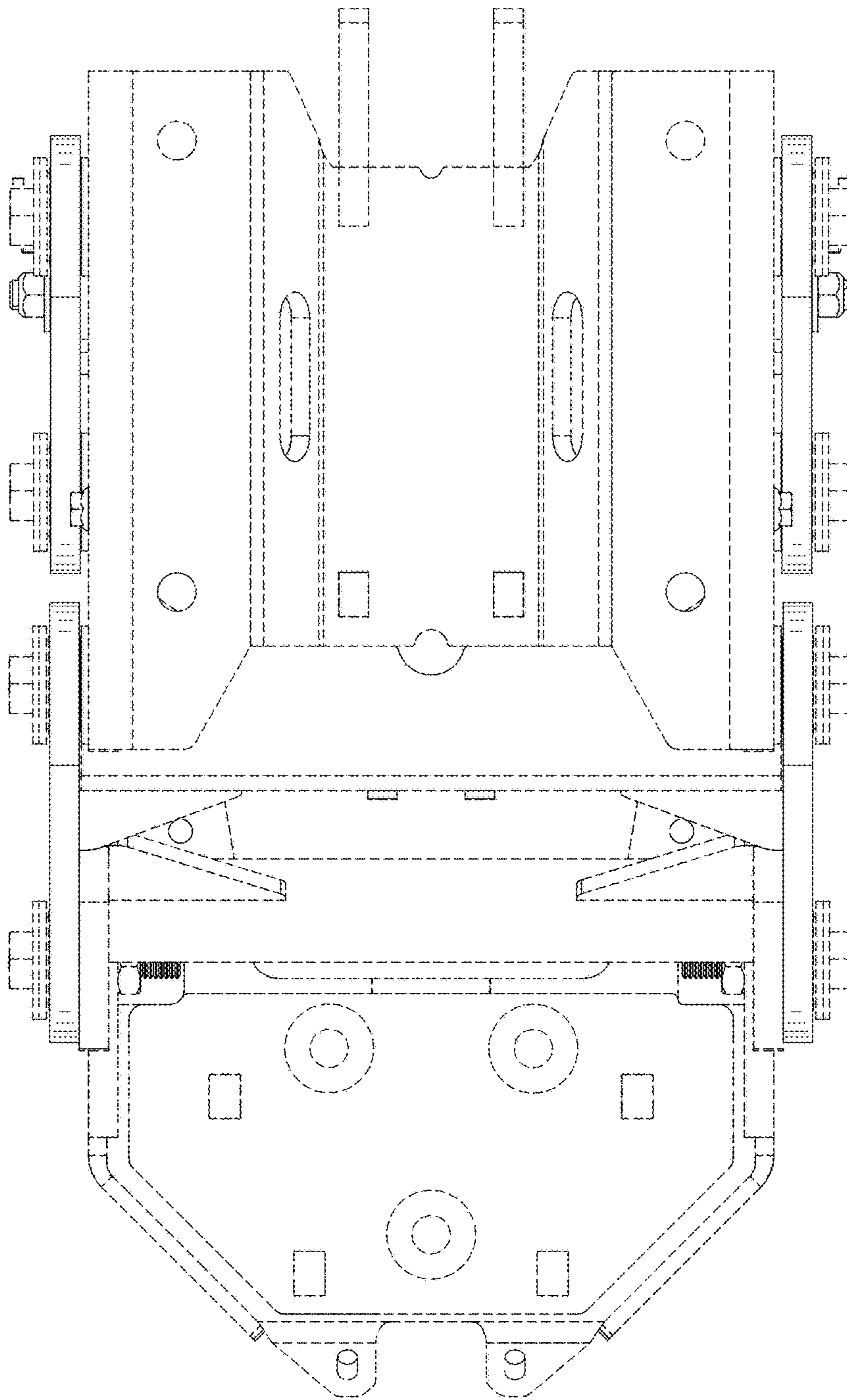
*Fig. 3*



*Fig. 4*

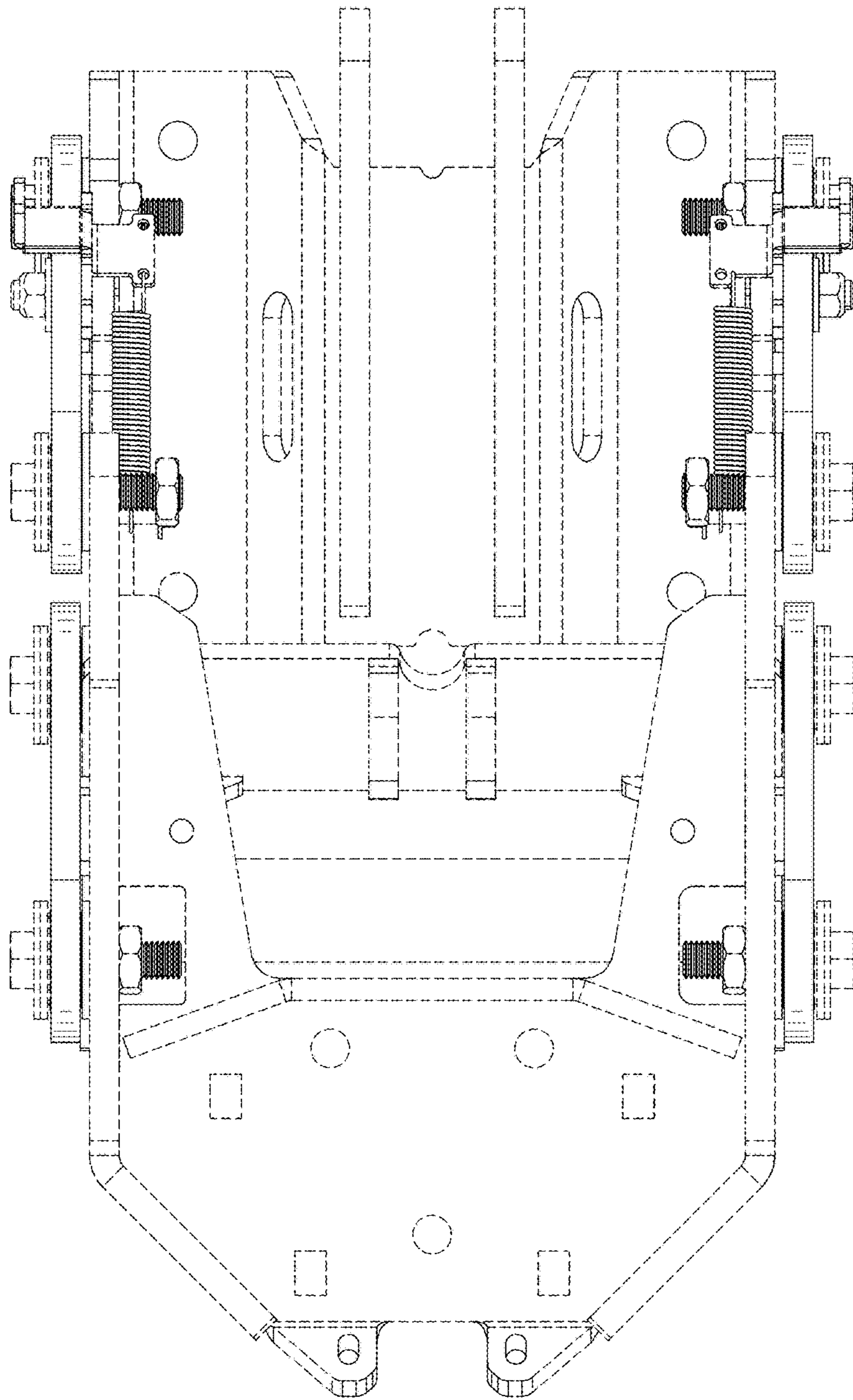


*Fig. 5*



*Fig. 6*





*Fig. 7*