



US00D812110S

(12) **United States Design Patent** (10) **Patent No.:** **US D812,110 S**
Hesla (45) **Date of Patent:** **** Mar. 6, 2018**

(54) **SCRAPER ARM**

(71) Applicant: **Pro Mags LLC**, Wakonda, SD (US)

(72) Inventor: **Ron Hesla**, Wakonda, SD (US)

(73) Assignee: **Pro Mags LLC**, Wakonda, SD (US)

(**) Term: **15 Years**

(21) Appl. No.: **29/555,167**

(22) Filed: **Feb. 19, 2016**

(51) **LOC (11) Cl.** **15-03**

(52) **U.S. Cl.**

USPC **D15/28**

(58) **Field of Classification Search**

USPC D15/10, 11, 27, 28, 29; 111/157, 200,
111/135, 137, 164, 52, 140, 167, 163;
172/166, 602, 741-744, 748, 452, 536,
172/736

CPC A01B 37/00; A01B 39/00; A01B 39/22;
A01B 76/00; A01B 71/04; A01B 71/00;
A01C 5/00; A01C 5/06; A01C 5/062;
B60S 1/68; B60S 1/00

See application file for complete search history.

(56) **References Cited**

U.S. PATENT DOCUMENTS

2,805,486 A * 9/1957 Barrett G01B 5/0028
33/610
3,115,192 A * 12/1963 Bushmeyer A01B 15/18
172/166
3,261,411 A 7/1966 Youngberg et al.
(Continued)

FOREIGN PATENT DOCUMENTS

JP 70026300 3/1970
JP 59-140149 8/1984

Primary Examiner — Mark Goodwin

(74) *Attorney, Agent, or Firm* — Pandiscio & Pandiscio

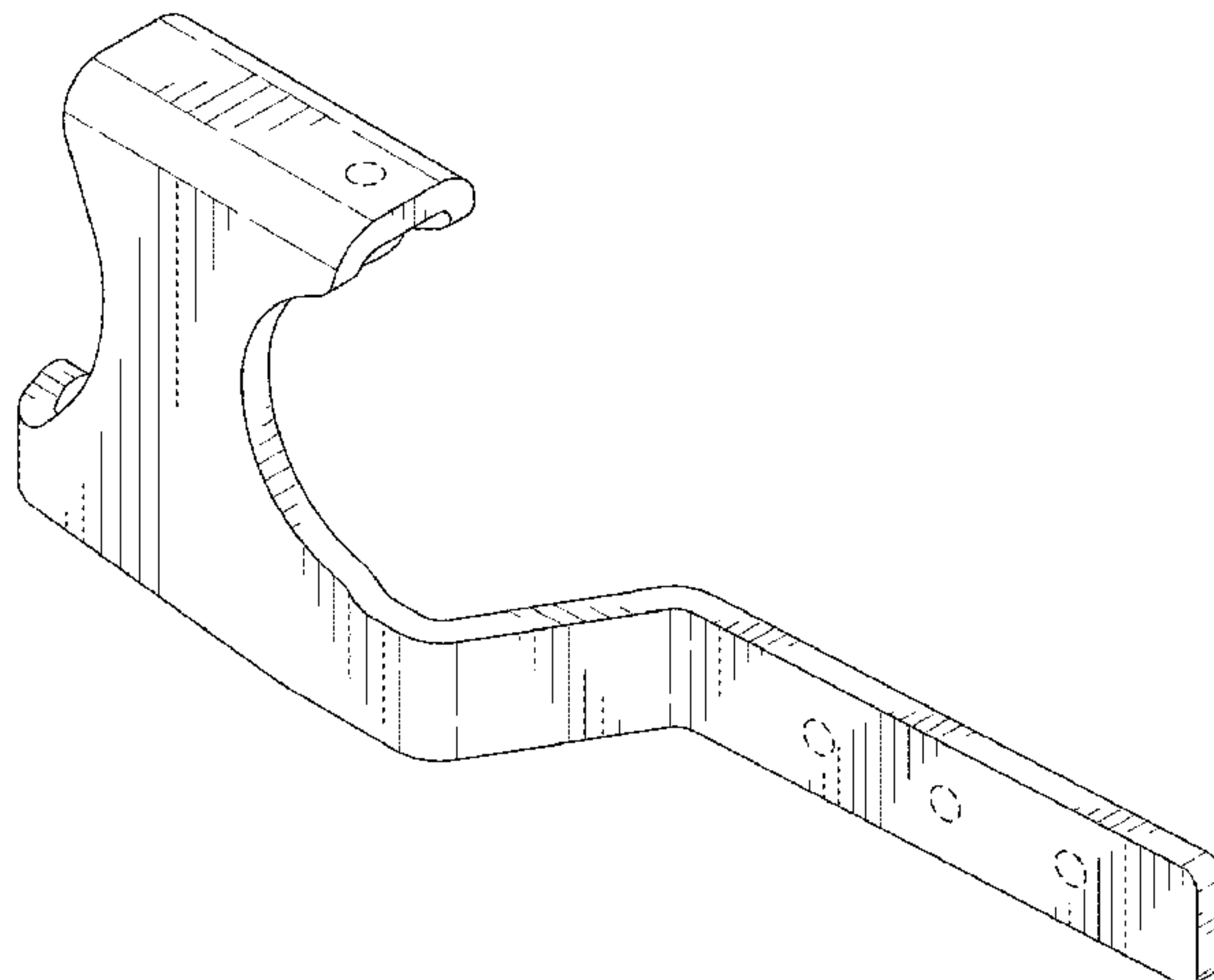
(57) **CLAIM**

The ornamental design for a scraper arm, as shown and described.

DESCRIPTION

FIG. 1 is a top right perspective view of the scraper arm; FIG. 2 is a front view of the scraper arm, taken from the frame of reference of FIG. 1; FIG. 3 is a rear view of the scraper arm, taken from the frame of reference of FIG. 1; FIG. 4 is a right side view of the scraper arm, taken from the frame of reference of FIG. 1; FIG. 5 is a left side view of the scraper arm, taken from the frame of reference of FIG. 1; FIG. 6 is a top view of the scraper arm, taken from the frame of reference of FIG. 1; FIG. 7 is a bottom view of the scraper arm, taken from the frame of reference of FIG. 1; FIG. 8 is a bottom left perspective view of the scraper arm, taken from the frame of reference of FIG. 1; FIG. 9 is another top right perspective view of the scraper arm; FIG. 10 is a front view of the scraper arm, taken from the frame of reference of FIG. 9; FIG. 11 is a rear view of the scraper arm, taken from the frame of reference of FIG. 9; FIG. 12 is a right side view of the scraper arm, taken from the frame of reference of FIG. 9; FIG. 13 is a left side view of the scraper arm, taken from the frame of reference of FIG. 9; FIG. 14 is a top view of the scraper arm, taken from the frame of reference of FIG. 9; FIG. 15 is a bottom view of the scraper arm, taken from the frame of reference of FIG. 9; and, FIG. 16. is a bottom left perspective view of the scraper arm, taken from the frame of reference of FIG. 9. The broken lines are included for the purpose of illustrating unclaimed portions of the scraper arm and form no part of the claimed design.

1 Claim, 16 Drawing Sheets



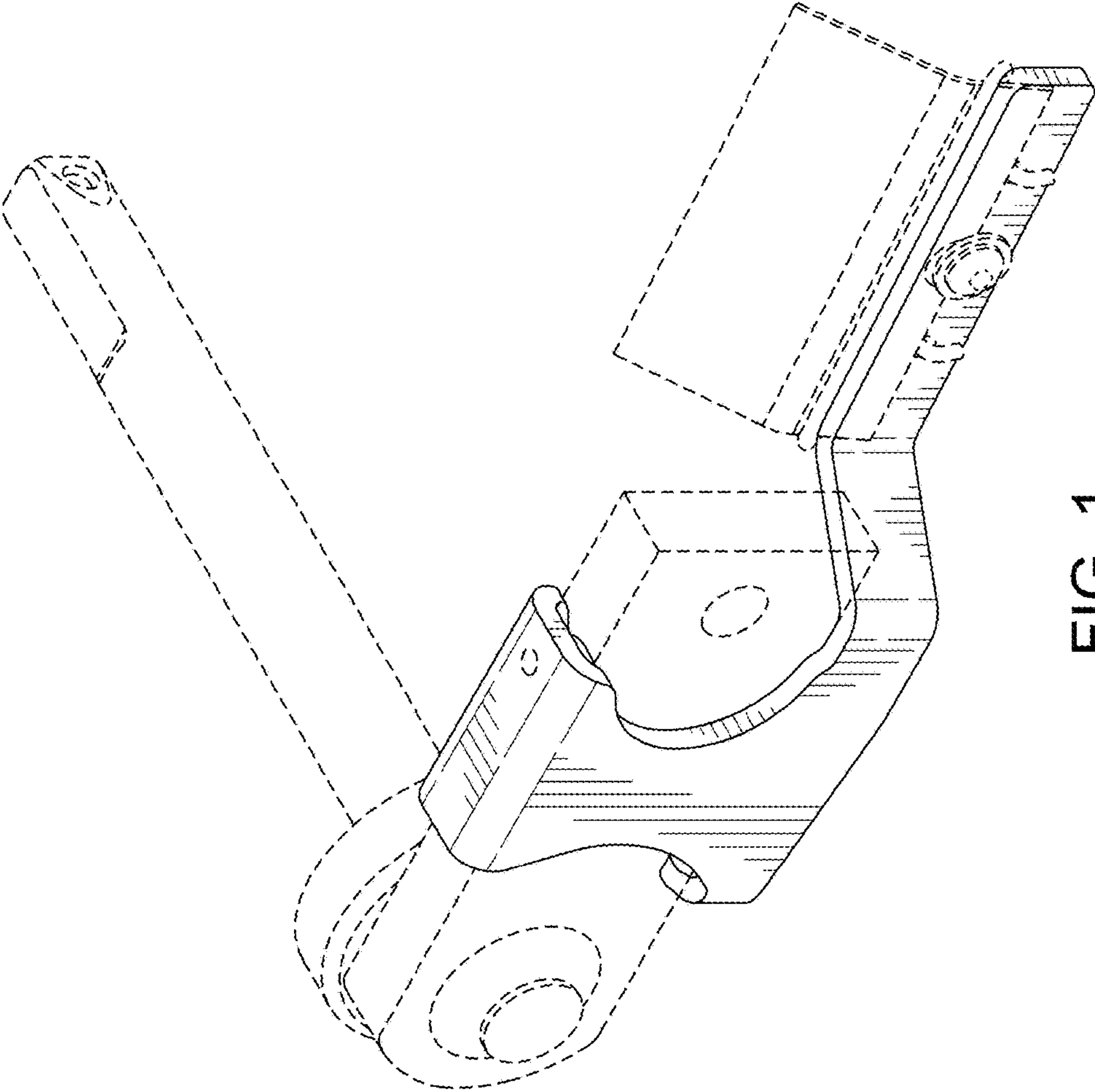


FIG. 1

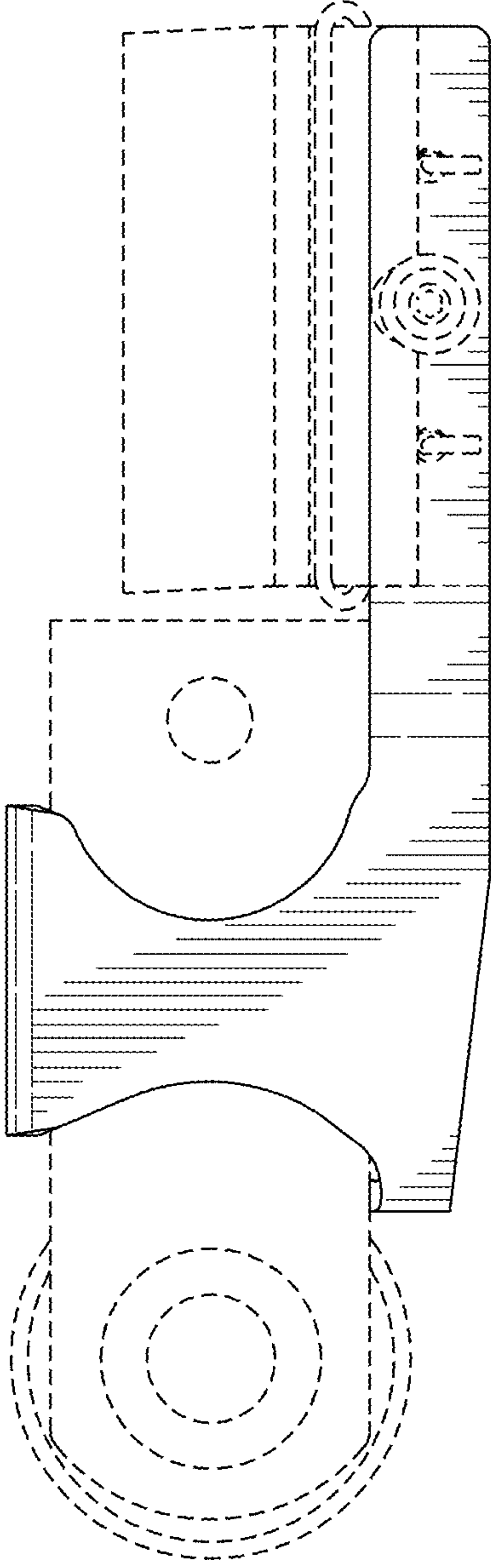


FIG. 2

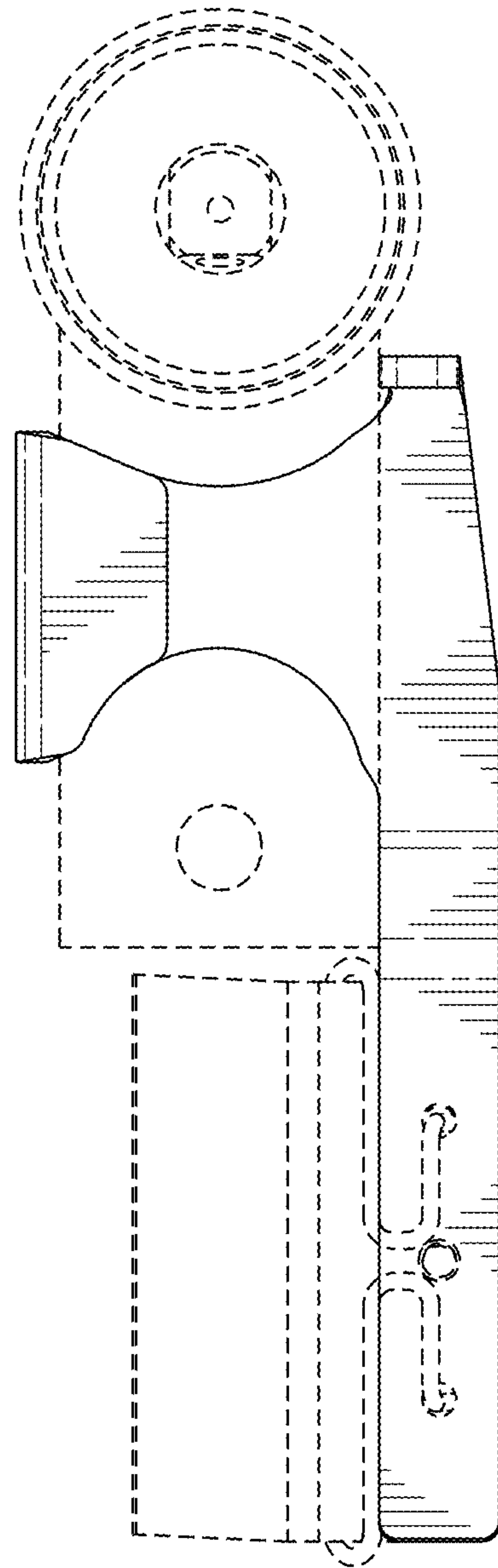


FIG. 3

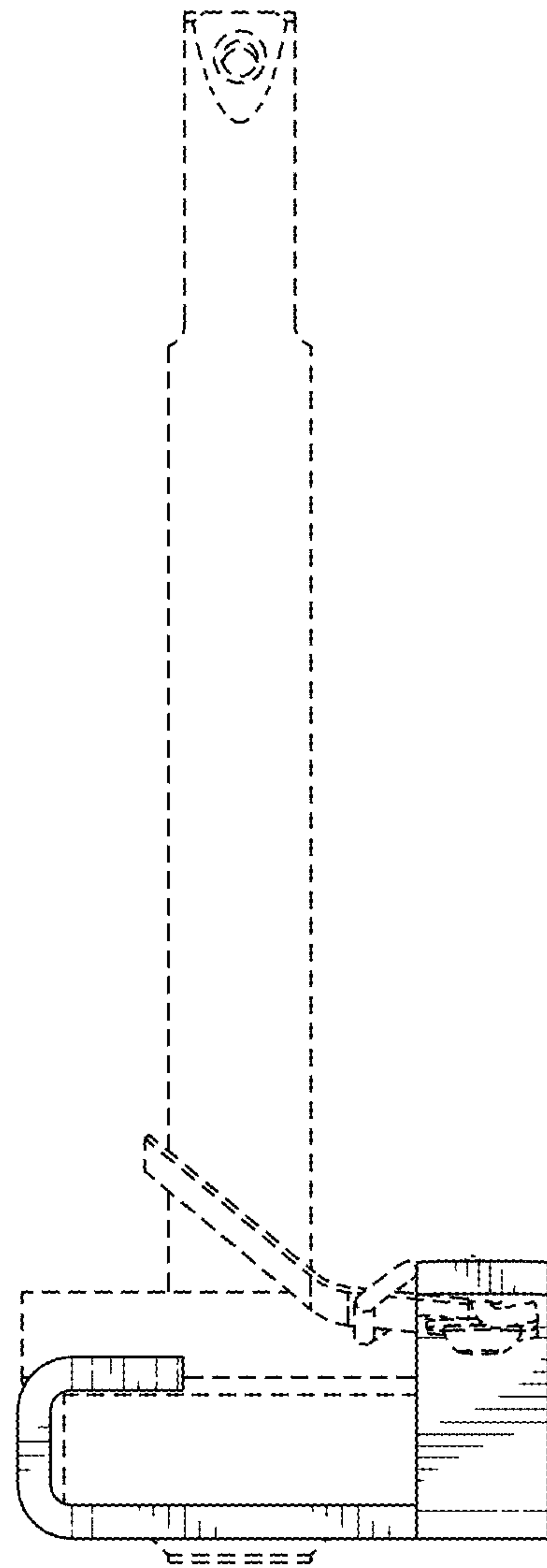


FIG. 4

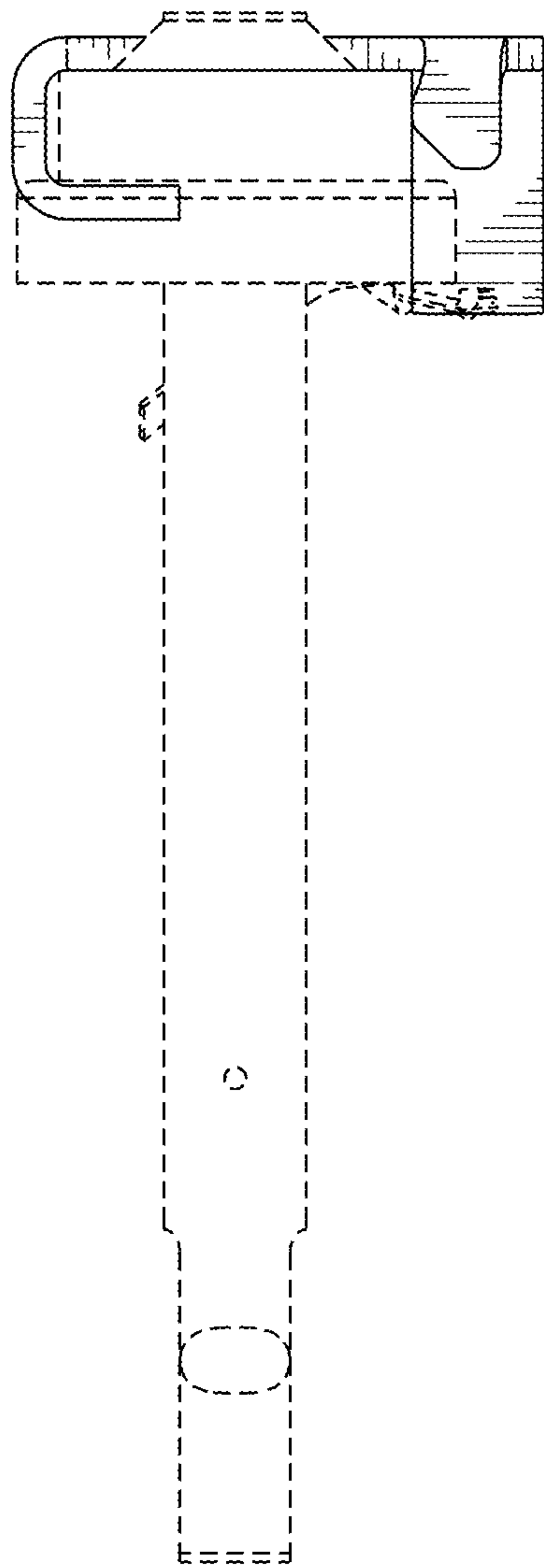


FIG. 5

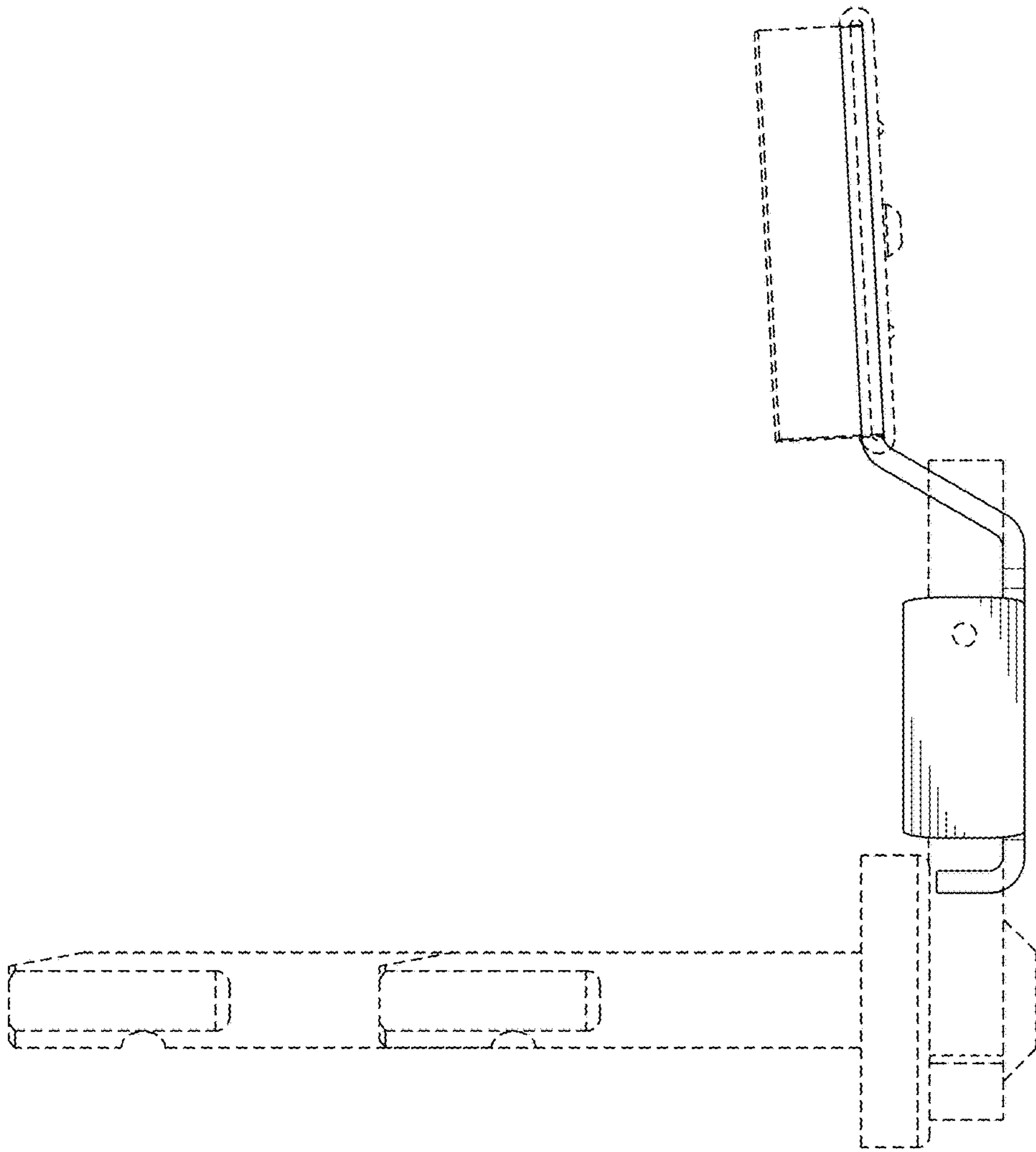


FIG. 6

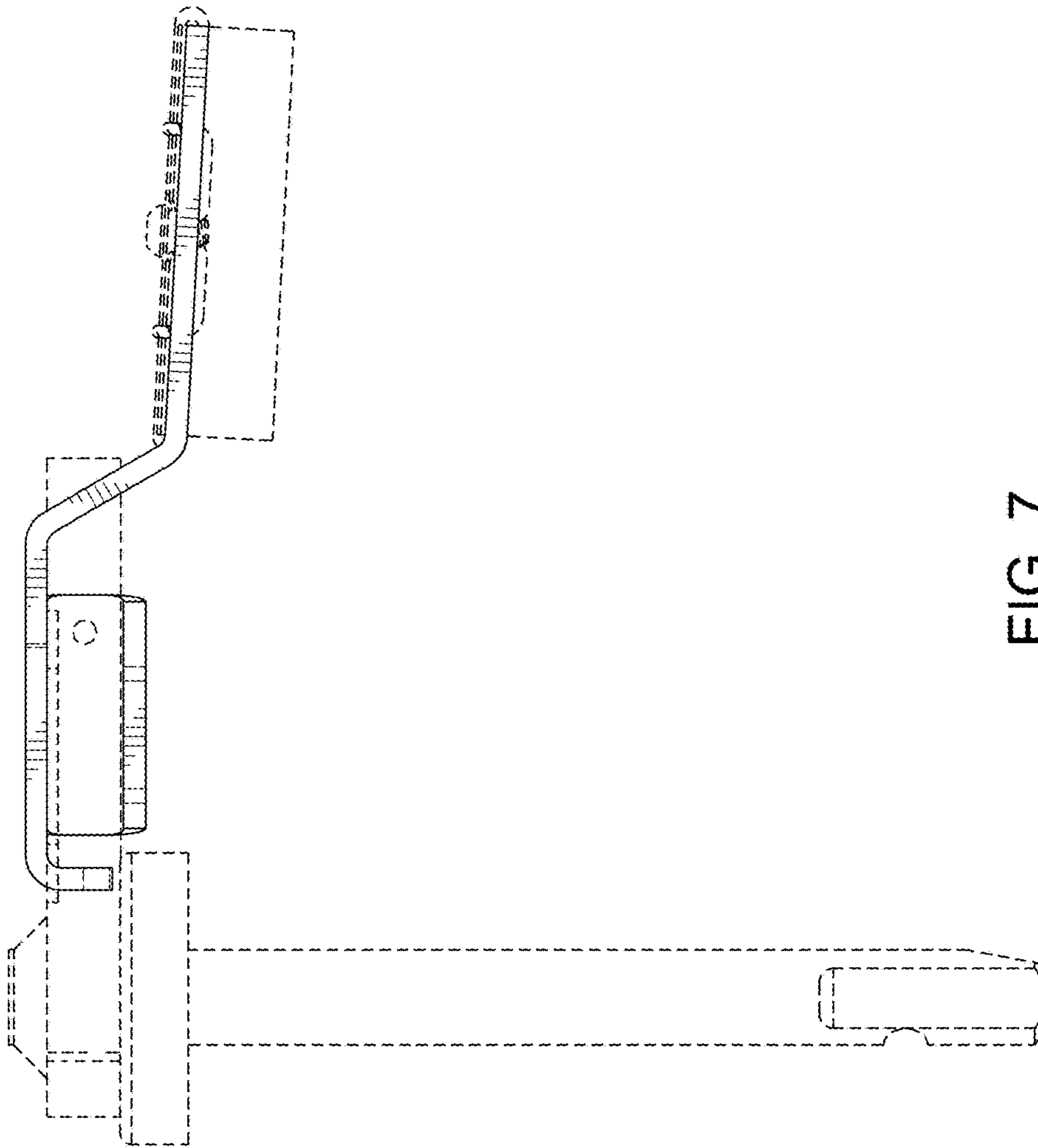


FIG. 7

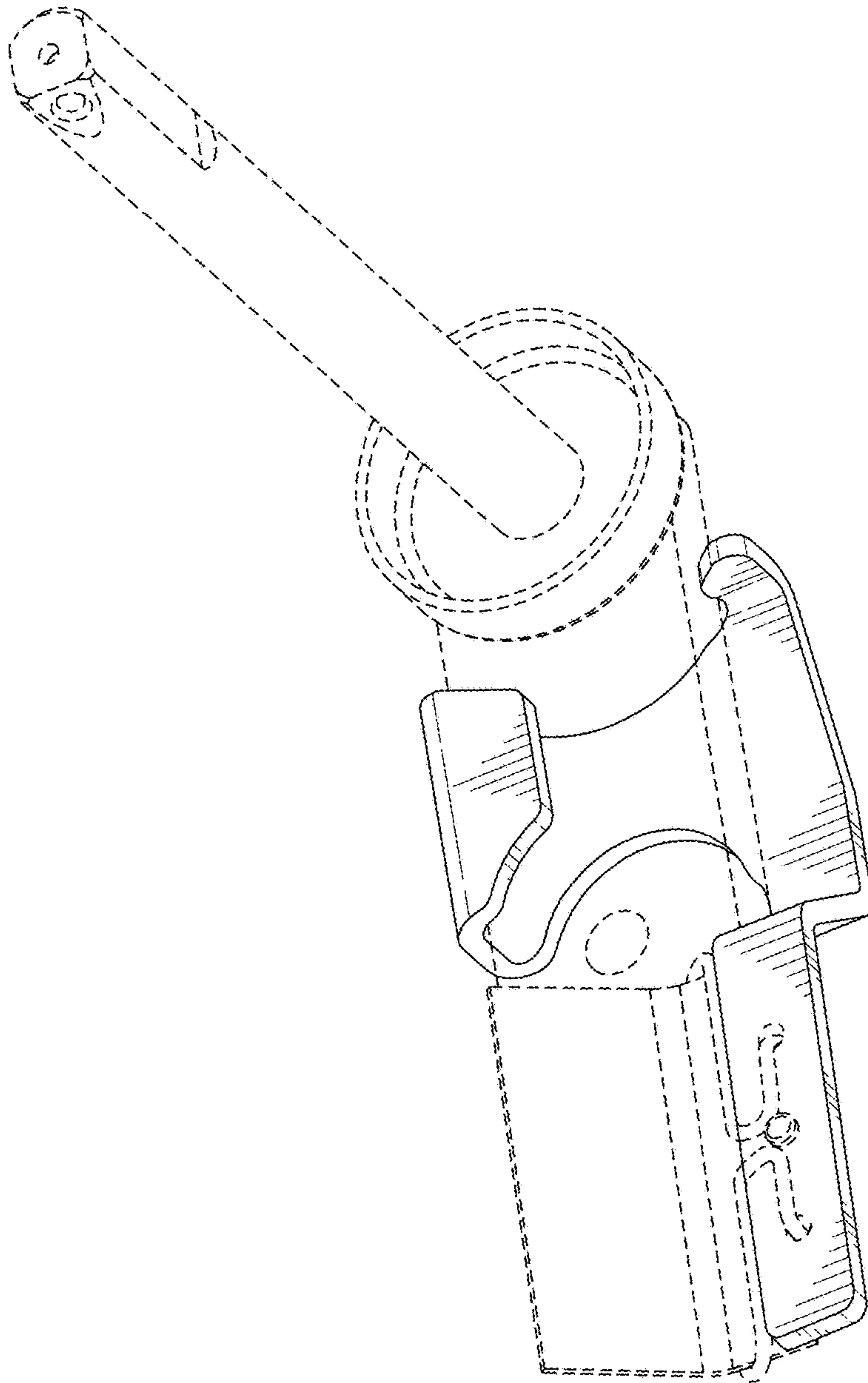


FIG. 8

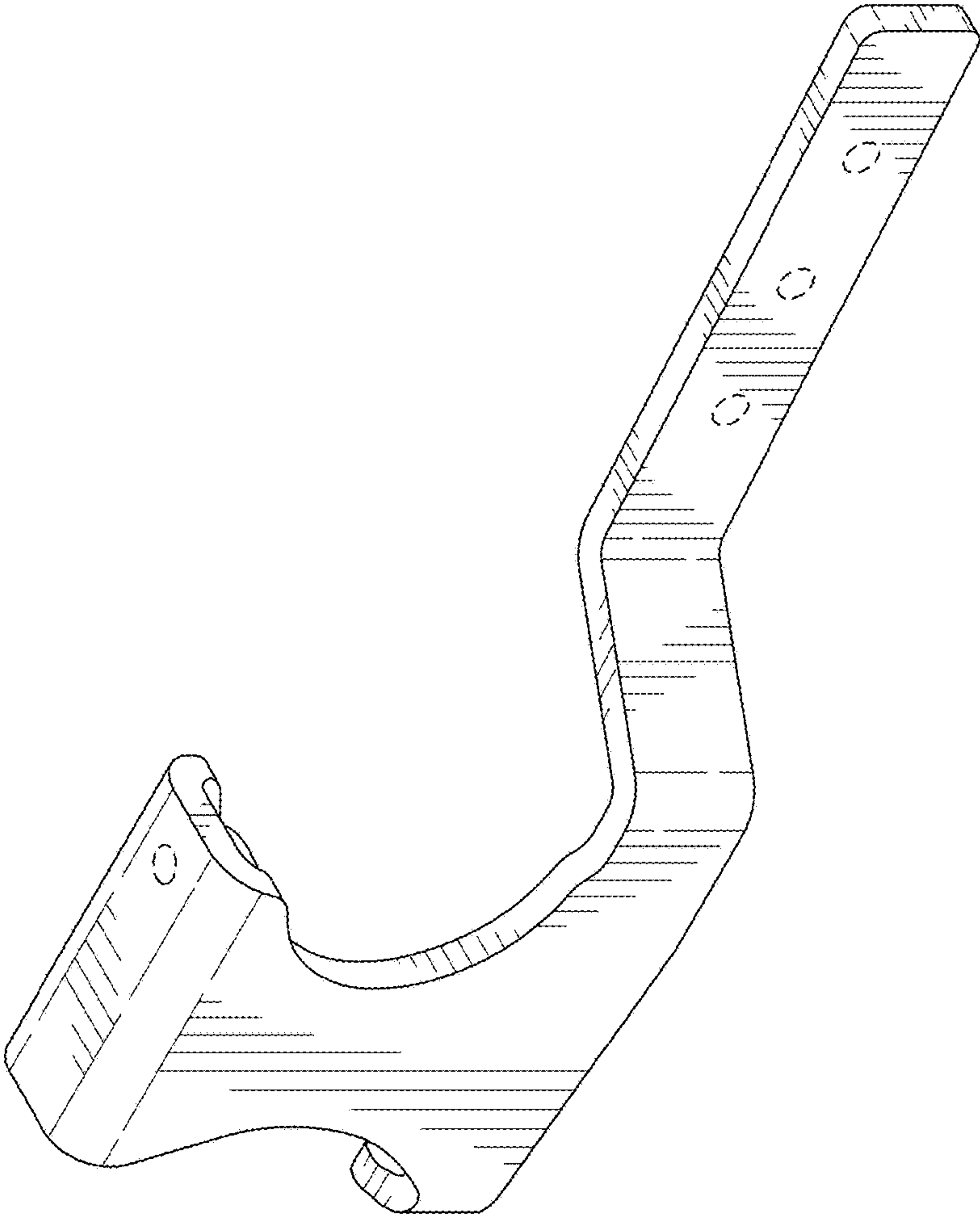


FIG. 9

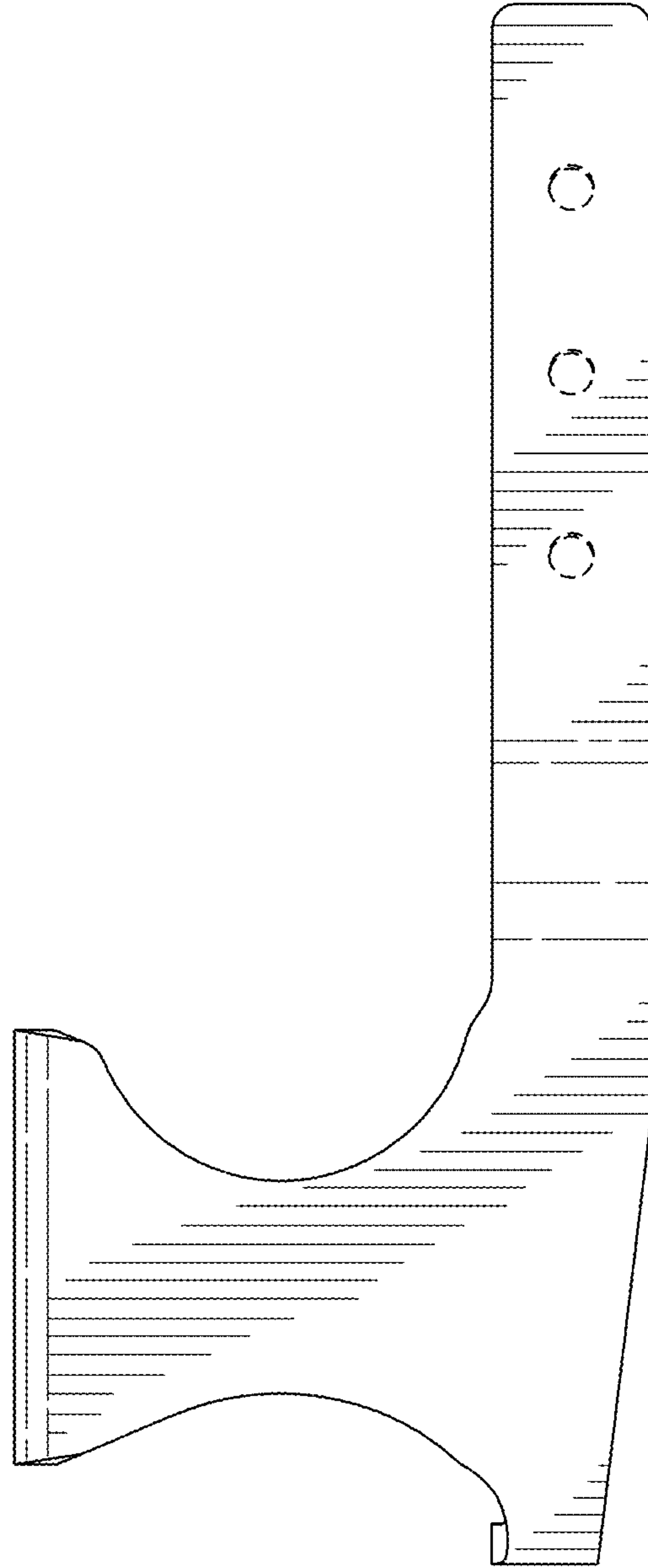


FIG. 10

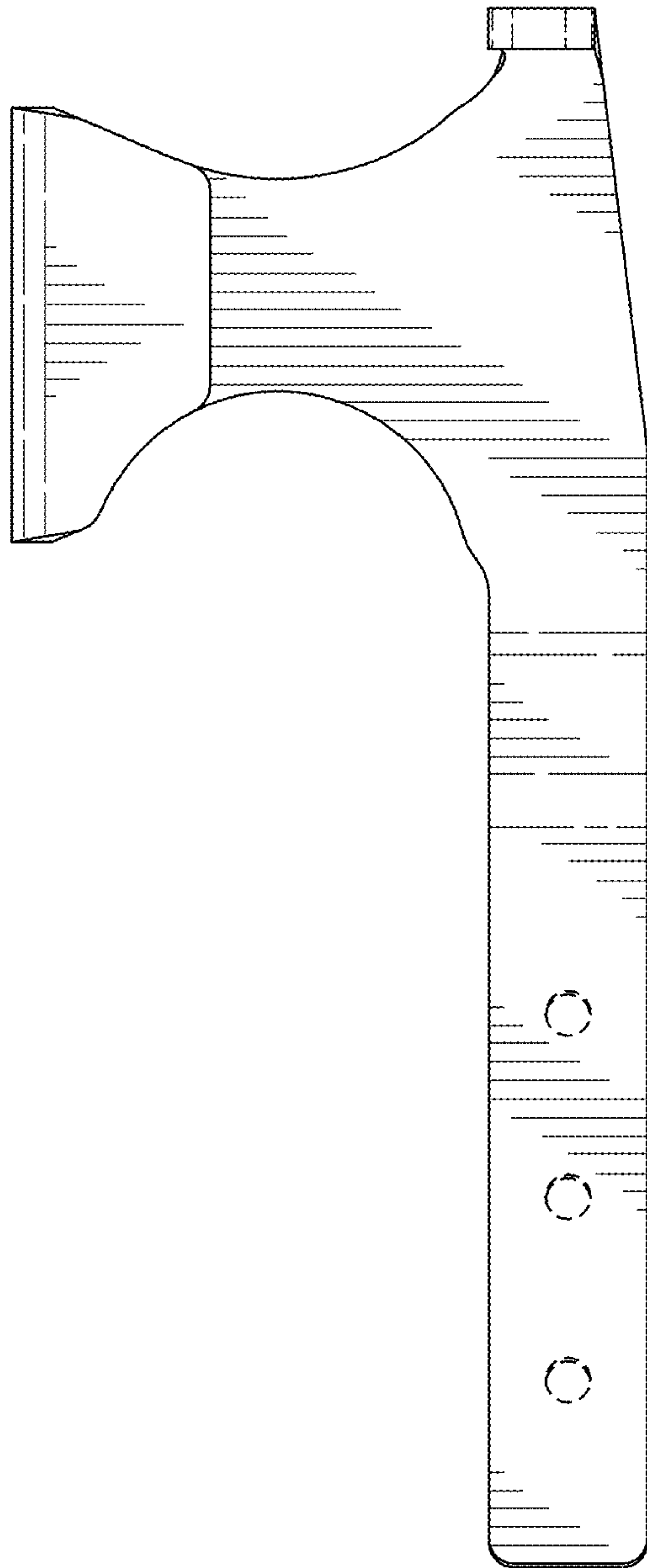


FIG. 11

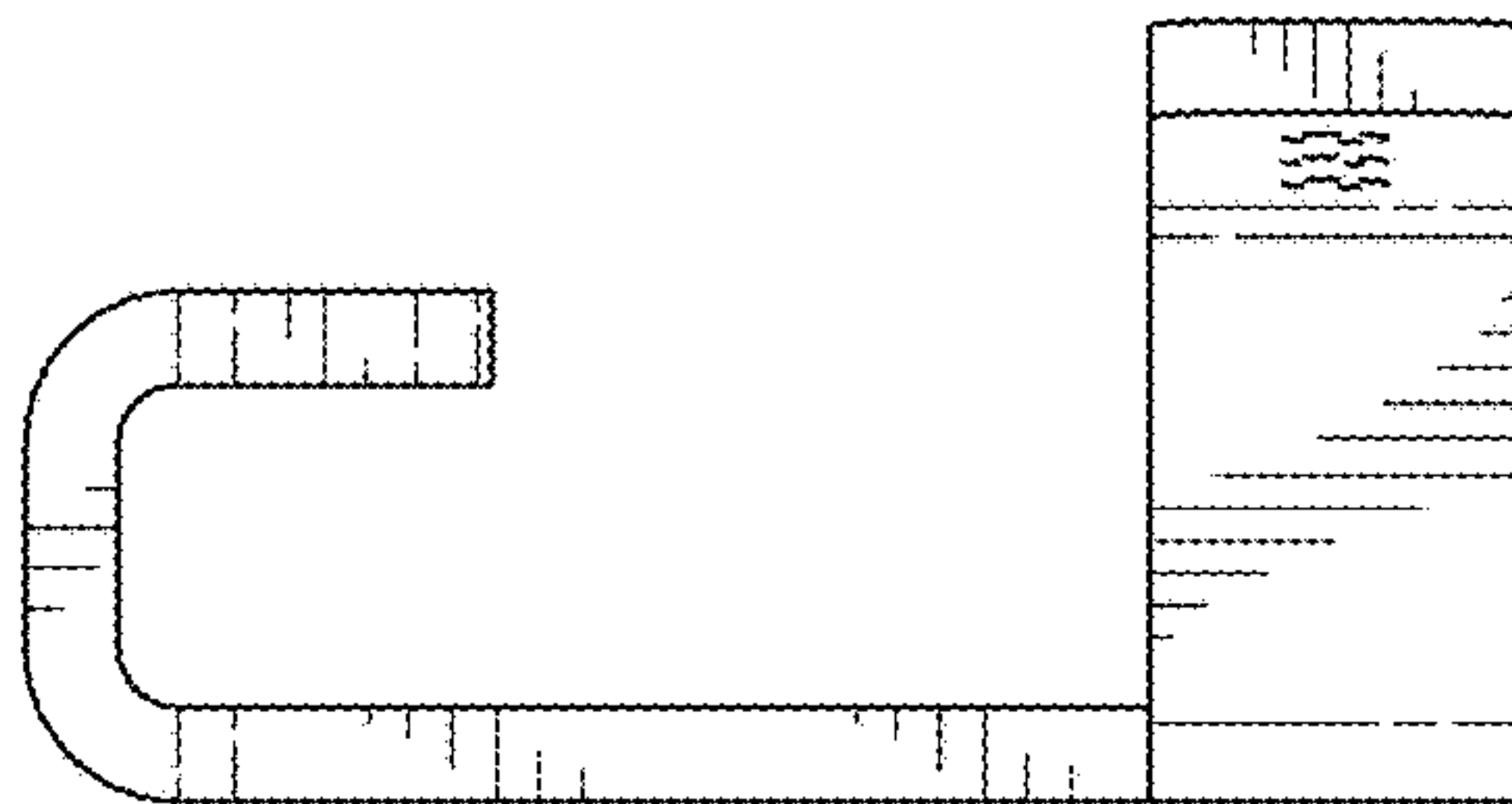


FIG. 12

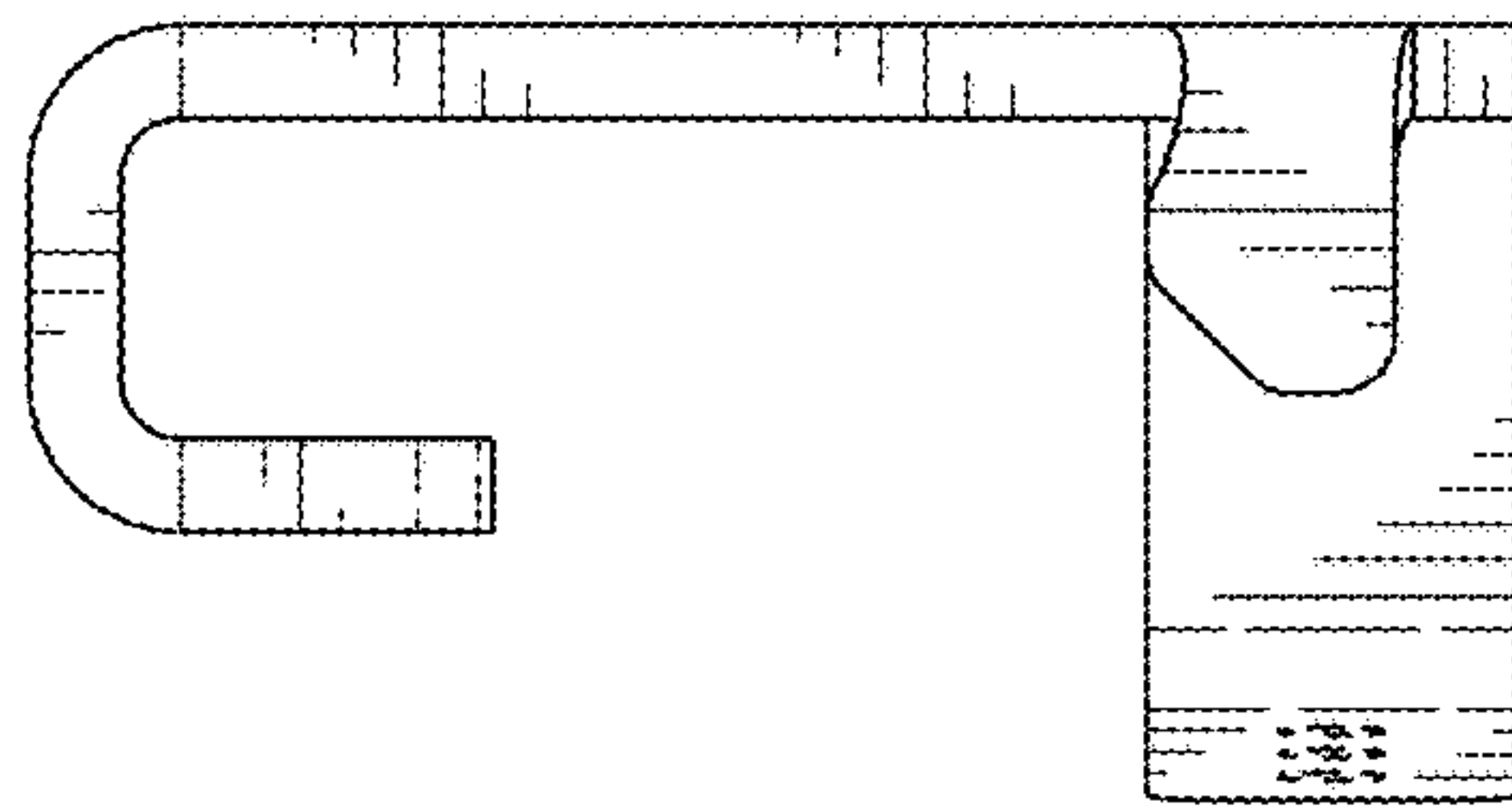


FIG. 13

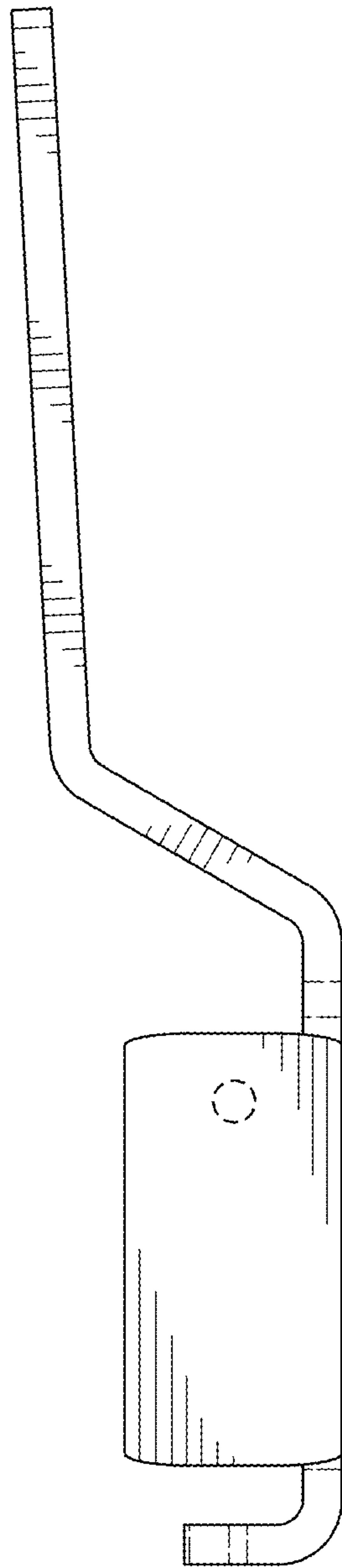


FIG. 14

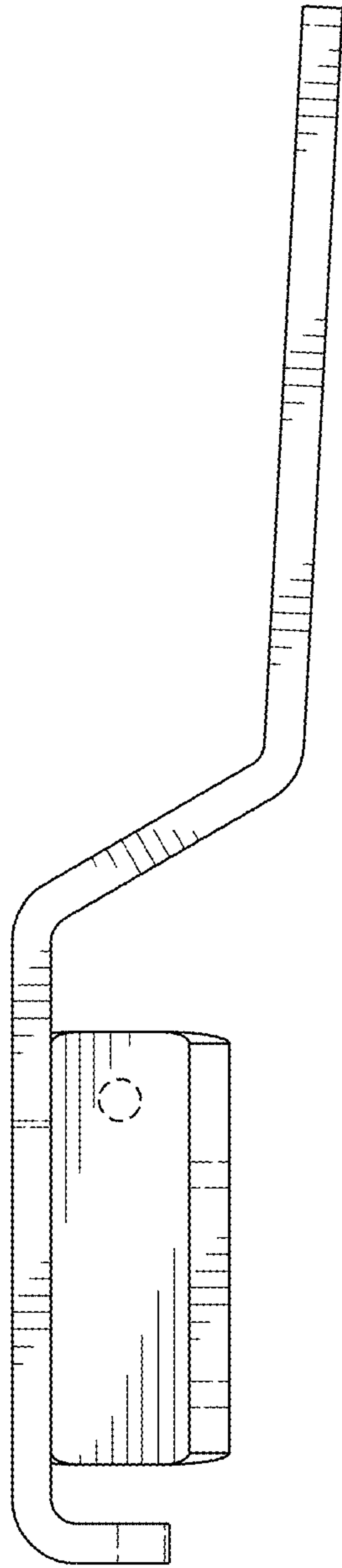


FIG. 15

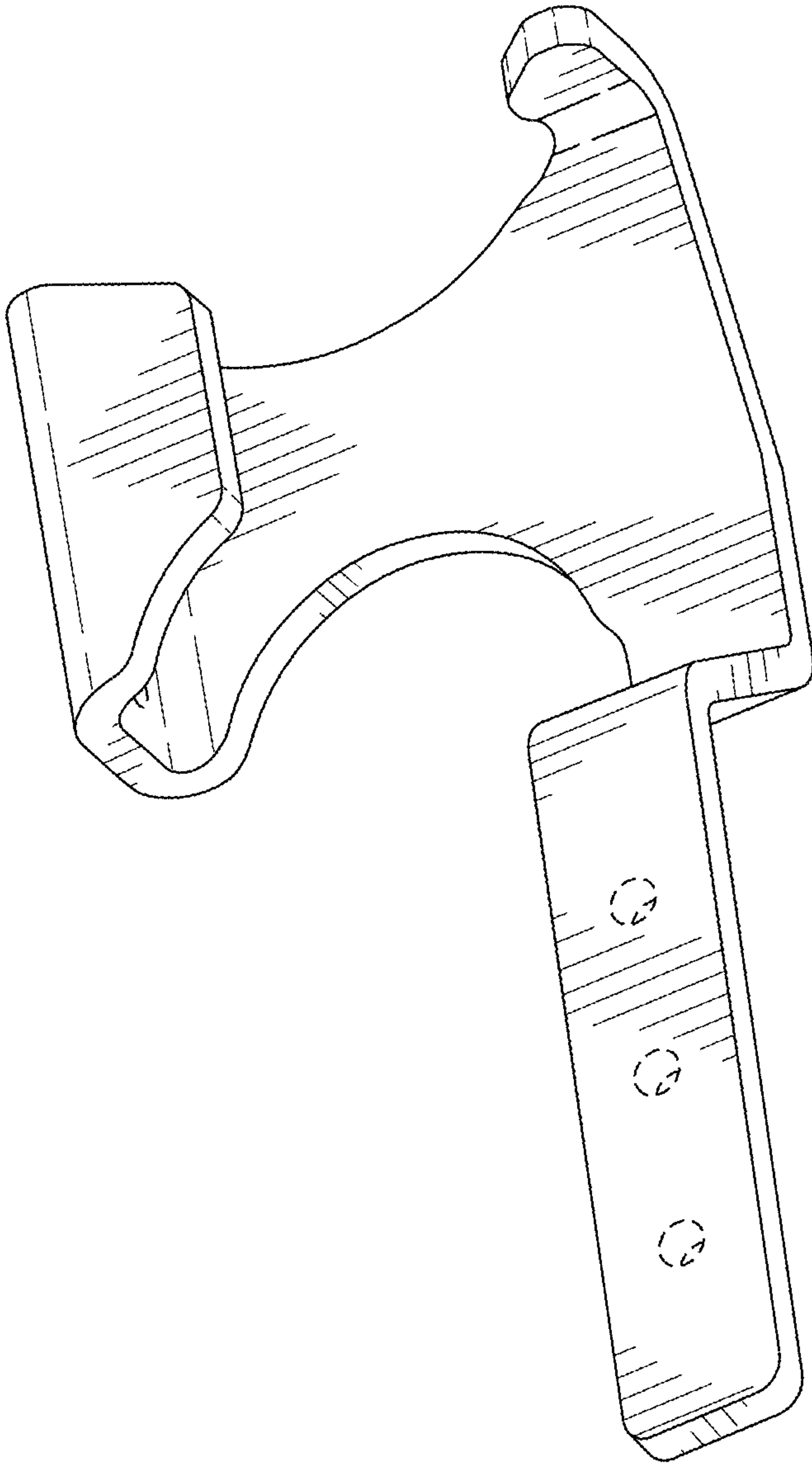


FIG. 16