



US00D812109S

(12) **United States Design Patent** (10) **Patent No.:** **US D812,109 S**
Cross et al. (45) **Date of Patent:** **** Mar. 6, 2018**

(54) **GANG TENSION SPRING WASHER FOR AN AGRICULTURAL MACHINE**

(71) Applicant: **Deere & Company**, Moline, IL (US)

(72) Inventors: **Jacob W. Cross**, Ankeny, IA (US);
Mark D. Beeck, Ankeny, IA (US);
Richard J. Connell, Slater, IA (US);
Hugo Alonso Valdes, Garza Garcia (MX)

(73) Assignee: **Deer & Company**, Moline, IL (US)

(**) Term: **14 Years**

(21) Appl. No.: **29/516,971**

(22) Filed: **Feb. 9, 2015**

Related U.S. Application Data

(63) Continuation-in-part of application No. 29/448,529, filed on Mar. 13, 2013, now abandoned.

(51) **LOC (11) Cl.** **15-03**

(52) **U.S. Cl.**
USPC **D15/28; D8/399**

(58) **Field of Classification Search**
USPC D15/10-33; D8/399, 349, 382, 397,
D8/400-499; 411/156, 265, 337, 538,
411/531, 544, 943, 966, 982
(Continued)

(56) **References Cited**

U.S. PATENT DOCUMENTS

1,301,302 A 4/1919 Nolan
1,320,259 A 10/1919 Martens
(Continued)

Primary Examiner — Mark Goodwin

(74) *Attorney, Agent, or Firm* — Lorenz & Kopf, LLP

(57) **CLAIM**

The ornamental design for a gang tension spring washer for an agricultural machine, as shown and described.

DESCRIPTION

FIG. 1 is a top perspective view of an embodiment of a gang tension spring washer in accordance with the present design. FIG. 2 is a top view of the gang tension spring washer of FIG. 1.

FIG. 3 is a sectioned view of the gang tension spring washer of FIG. 1 taken along lines 3-3 of FIG. 1.

FIG. 4 is a top perspective view of another embodiment of a gang tension spring washer in accordance with the present design.

FIG. 5 is a sectioned view of the gang tension spring washer of FIG. 4 taken along lines 5-5 of FIG. 4.

FIG. 6 is a top perspective view of another embodiment of a gang tension spring washer in accordance with the present design.

FIG. 7 is a top perspective view of a gang of discs and an embodiment of the gang tension spring washer in the gang.

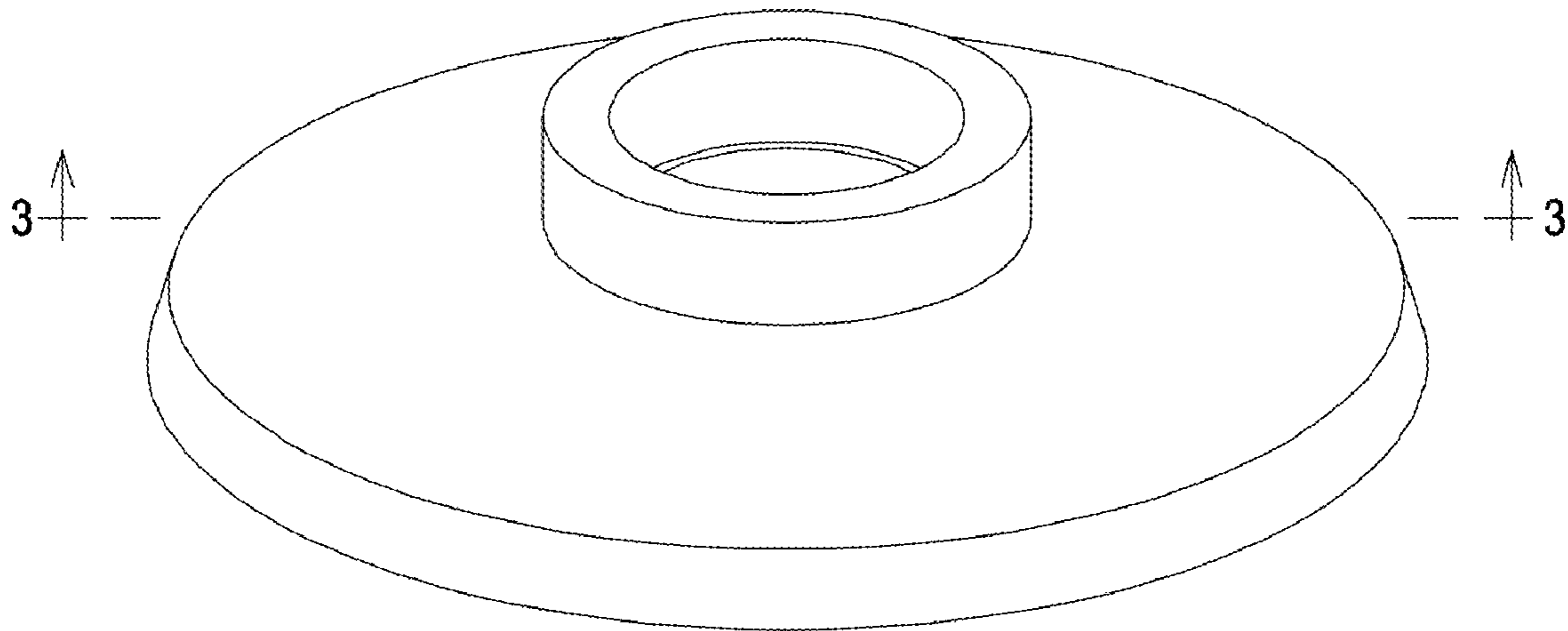
FIG. 8 sectioned view of the gang taken along lines 8-8 of FIG. 7, gang of discs and embodiment of the gang tension spring washer in the gang.

FIG. 9 is a top perspective view of another embodiment of gang of discs and an embodiment of the gang tension spring washer in the gang; and,

FIG. 10 sectioned view of the gang taken along lines 10-10 of FIG. 9, gang of discs and embodiment of the gang tension spring washer in the gang.

The ornamental design which is claimed is shown in solid lines in the drawings. The portions of the design shown in broken lines are included for the purpose of illustrating the adjacent environment. Any portions of the design shown in broken lines having unequal segments illustrate the boundary of the claimed design and form no part of the claimed design.

1 Claim, 6 Drawing Sheets



US D812,109 S

Page 2

- (58) **Field of Classification Search**
CPC F16B 39/24; F16B 39/02; F16B 1/0014;
F16B 43/00; B23P 19/068; F03G 7/065
See application file for complete search history.

(56) **References Cited**

U.S. PATENT DOCUMENTS

1,652,648 A 12/1927 Swangren
1,963,535 A 6/1934 Trotter
2,052,063 A 8/1936 Wenn
2,153,605 A 4/1939 Williams
2,533,748 A 12/1950 Weissert
2,675,225 A 4/1954 Migny
2,867,874 A 1/1959 Larson
3,009,381 A 11/1961 Rapata
3,037,221 A 6/1962 Lanius, Jr.
3,077,218 A 2/1963 Ziegler
3,221,792 A 12/1965 Poupitch
3,306,223 A 2/1967 Liebig
3,377,074 A 4/1968 Cundy
3,503,430 A 3/1970 Tsurumoto
3,992,974 A 11/1976 Miki et al.
4,102,239 A 7/1978 Dallas
4,103,725 A 8/1978 Abe
4,157,725 A 6/1979 Stanaitis
4,292,876 A 10/1981 De Graan
4,302,136 A 11/1981 Abe et al.
4,347,024 A * 8/1982 Coldren F16B 31/028
411/11
D269,852 S 7/1983 Frieberg
4,450,616 A 5/1984 Morita
4,580,789 A 4/1986 Jett
D287,938 S 1/1987 Sachs
4,793,757 A 12/1988 Peterson

5,112,178 A 5/1992 Overhues et al.
5,177,921 A * 1/1993 Dempster E04D 3/08
52/204.591
5,407,313 A 4/1995 Bruins et al.
5,415,511 A 5/1995 Damron
5,496,142 A 3/1996 Fodor et al.
D375,245 S * 11/1996 Irving D8/331
5,807,052 A 9/1998 Van Boven et al.
6,422,796 B1 7/2002 Tomaini
D480,953 S 10/2003 Lee et al.
6,939,097 B2 9/2005 Carr et al.
6,957,931 B2 10/2005 Slater
D528,407 S 9/2006 Schwab
7,192,232 B2 3/2007 Esser
D563,212 S 3/2008 Campbell
D576,480 S 9/2008 Vakiener et al.
D596,934 S 7/2009 Vakiener et al.
D605,935 S 12/2009 Zeyfang
D659,529 S * 5/2012 Ojanen D8/399
D660,691 S 5/2012 Yamazaki
8,413,739 B2 * 4/2013 Casper A01B 21/083
172/572
D682,666 S 5/2013 Wigboldy
D696,930 S 1/2014 Rodenhouse et al.
D696,932 S 1/2014 Rodenhouse et al.
8,672,046 B2 * 3/2014 Connell A01B 23/06
172/518
9,107,340 B2 * 8/2015 Stark A01O 5/064
D769,708 S * 10/2016 Smith D8/399
2009/0072456 A1 3/2009 Braman et al.
2009/0282885 A1 11/2009 Ooka et al.
2010/0290857 A1 11/2010 Smolarek et al.
2011/0064539 A1 3/2011 Ghatikar et al.
2012/0103642 A1 * 5/2012 Stark A01C 5/064
172/574

* cited by examiner

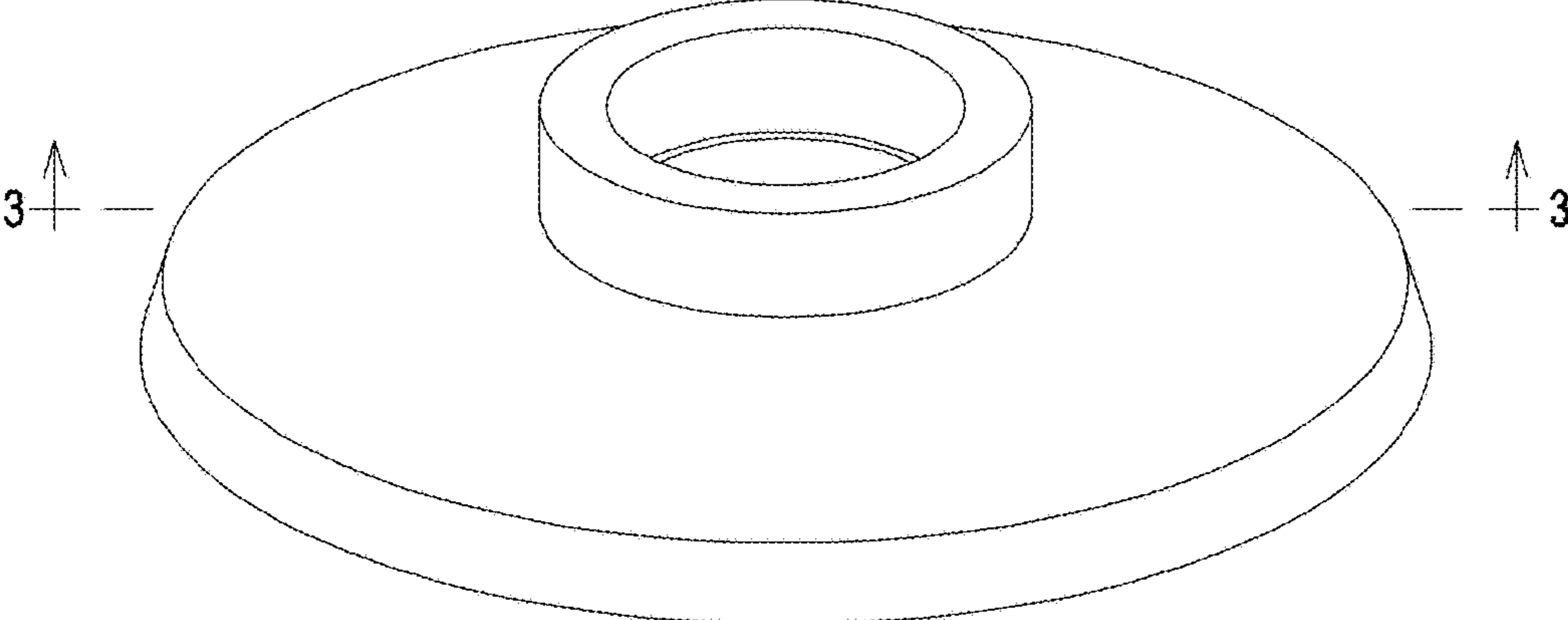


FIG. 1

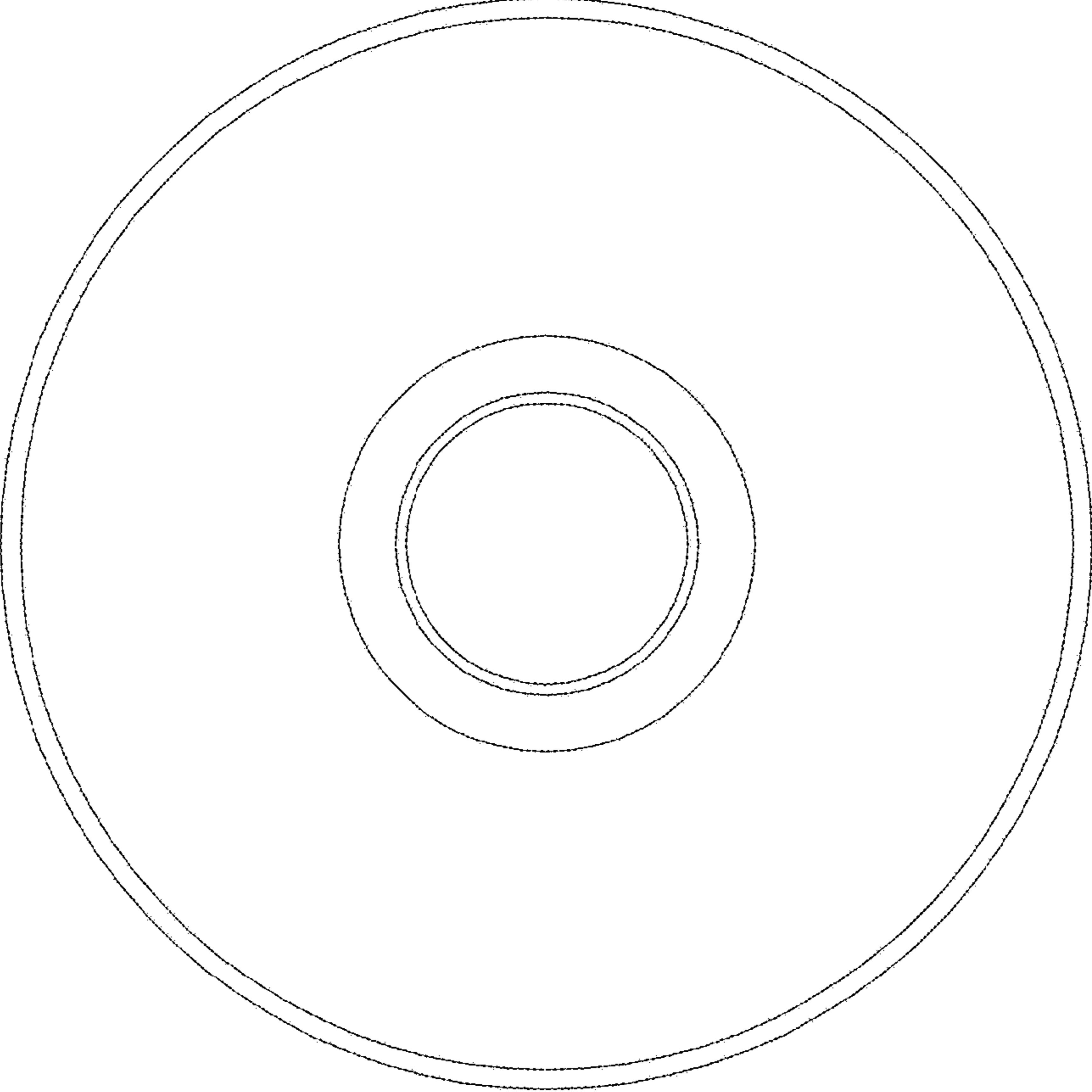


FIG. 2

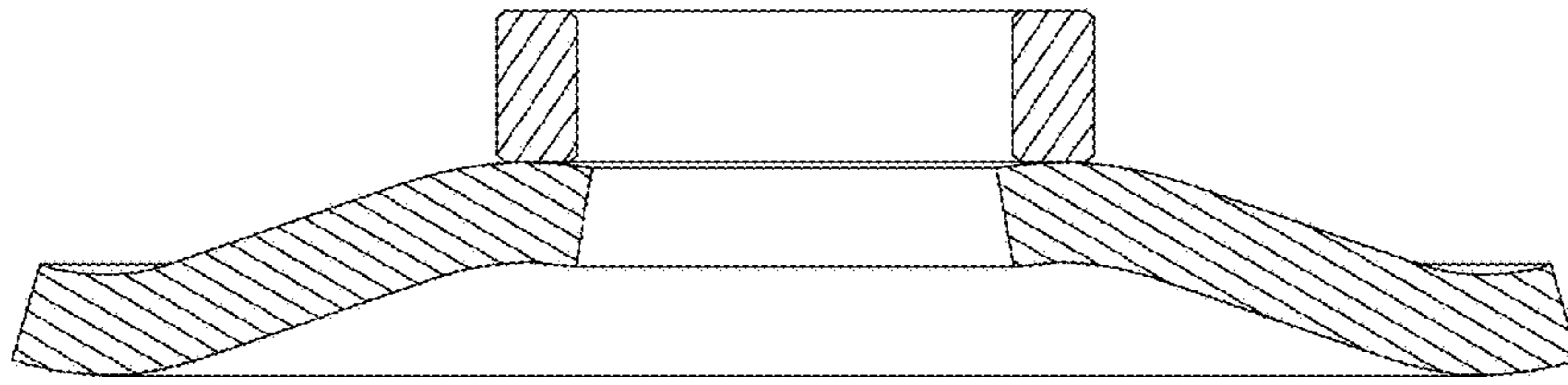


FIG. 3

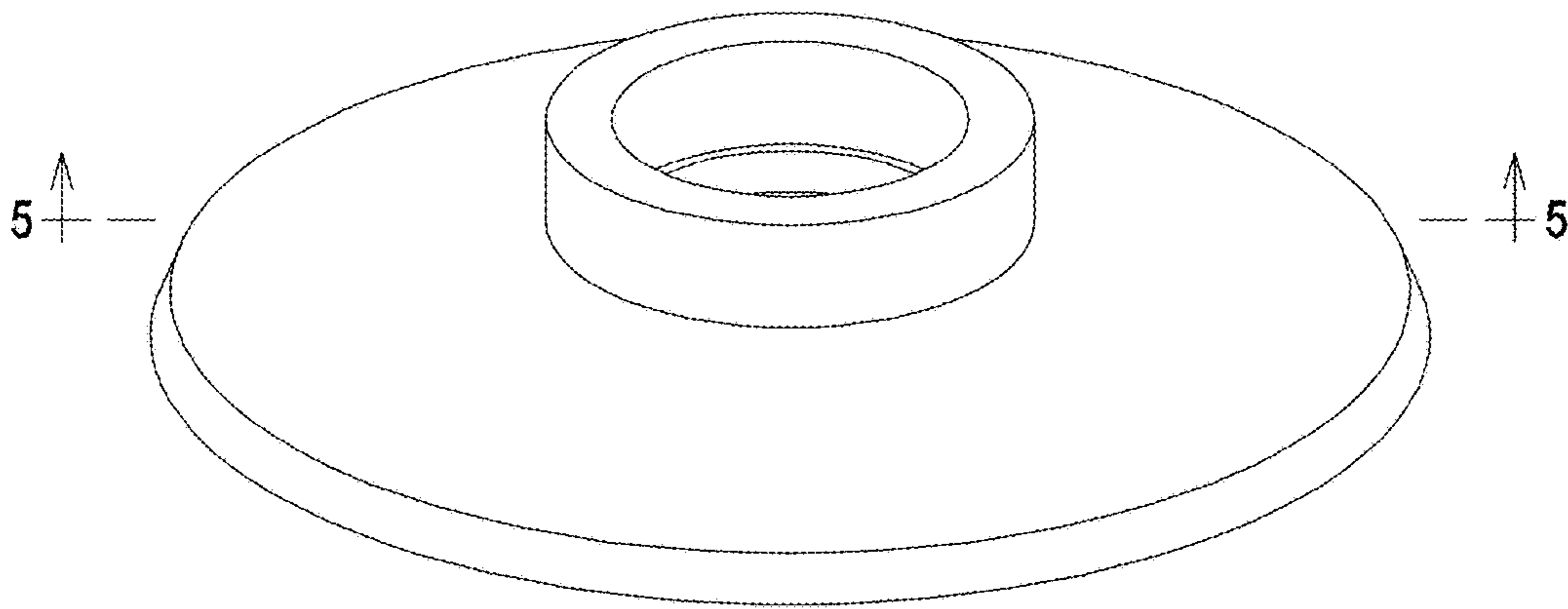


FIG. 4

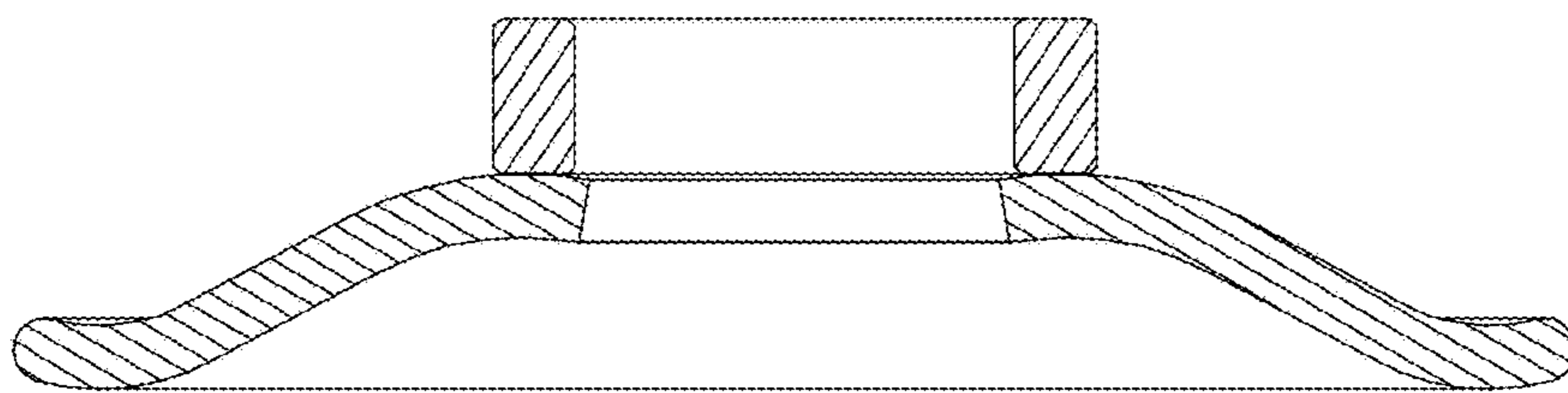


FIG. 5

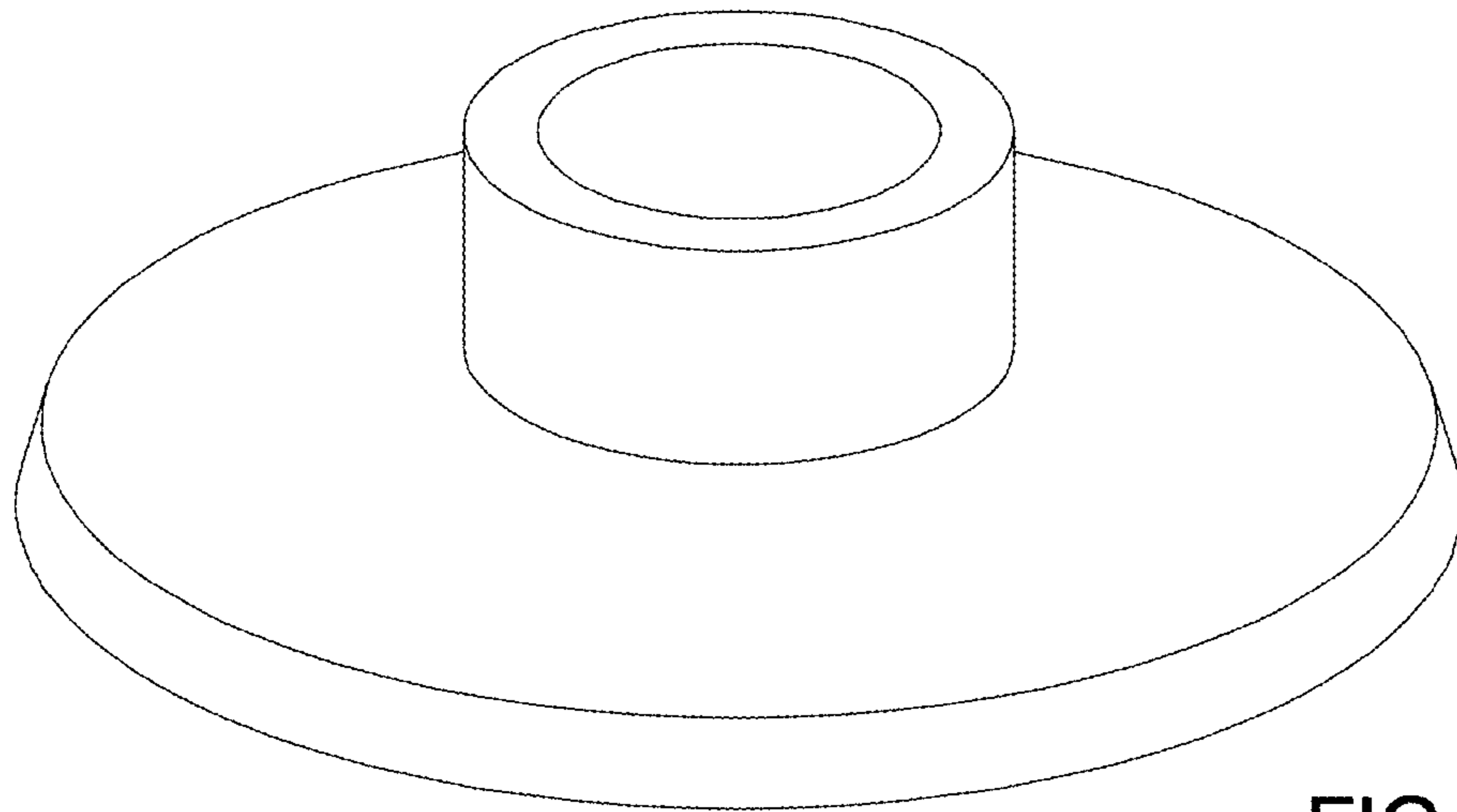


FIG. 6

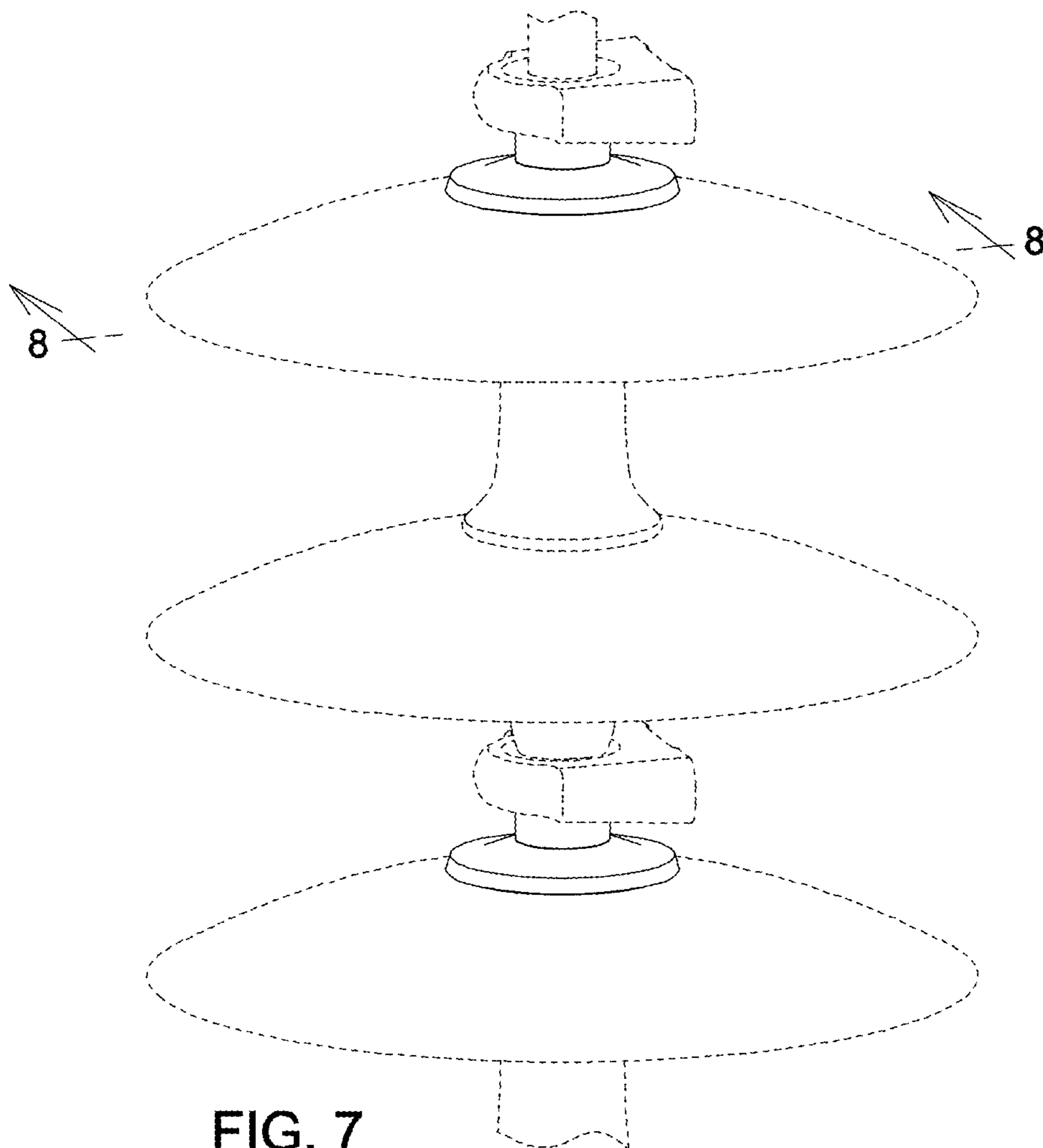


FIG. 7

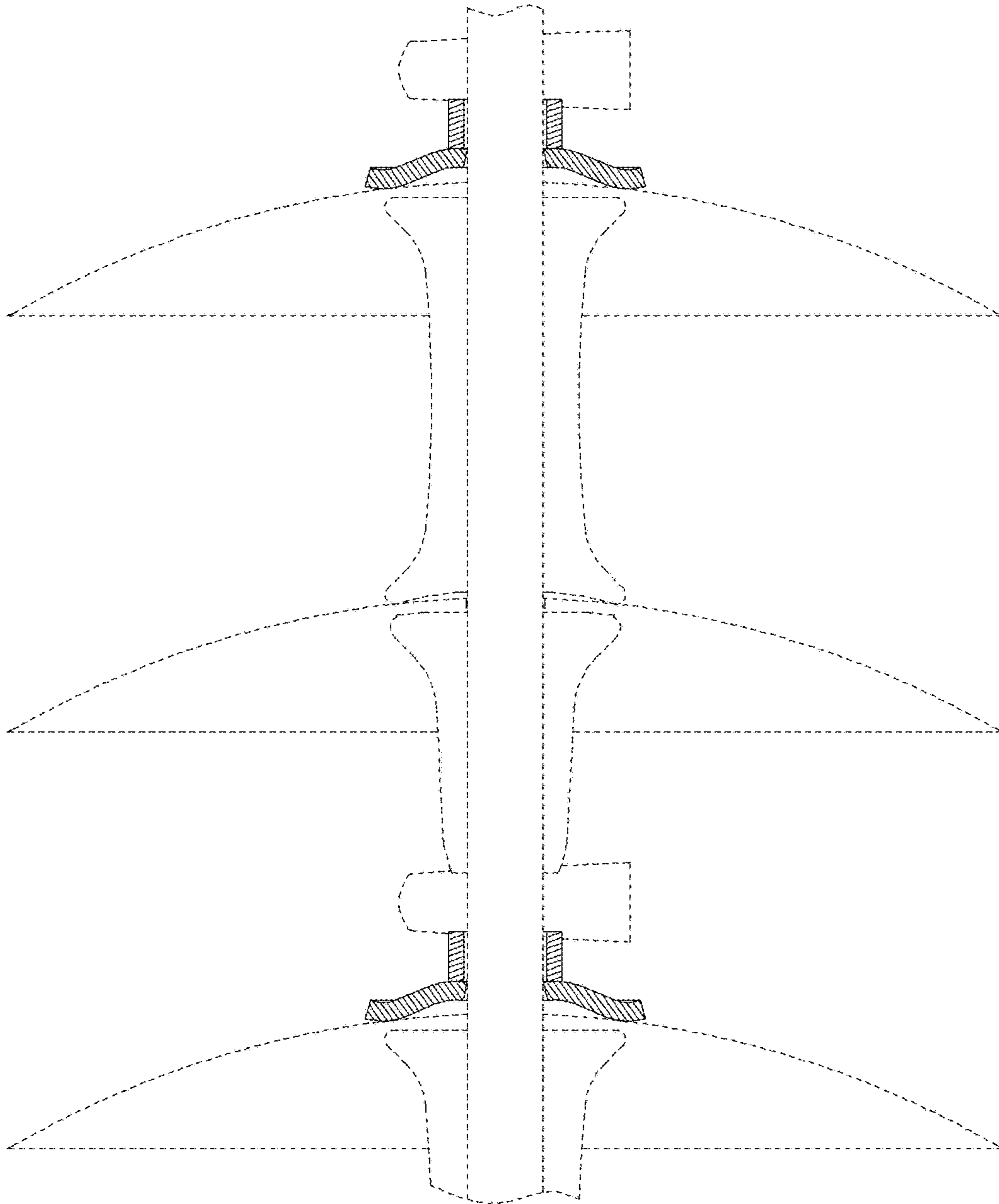


FIG. 8

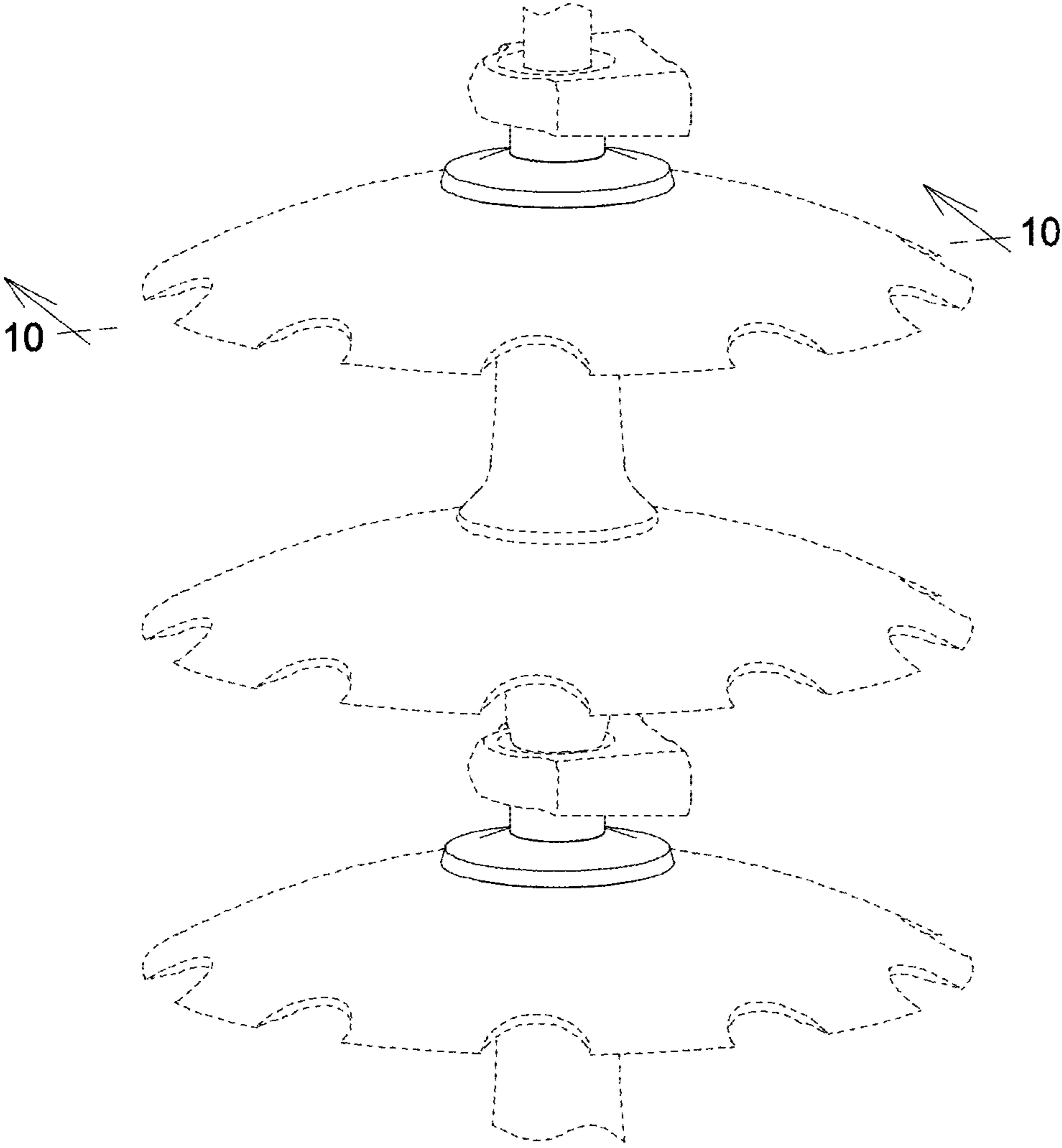


FIG. 9

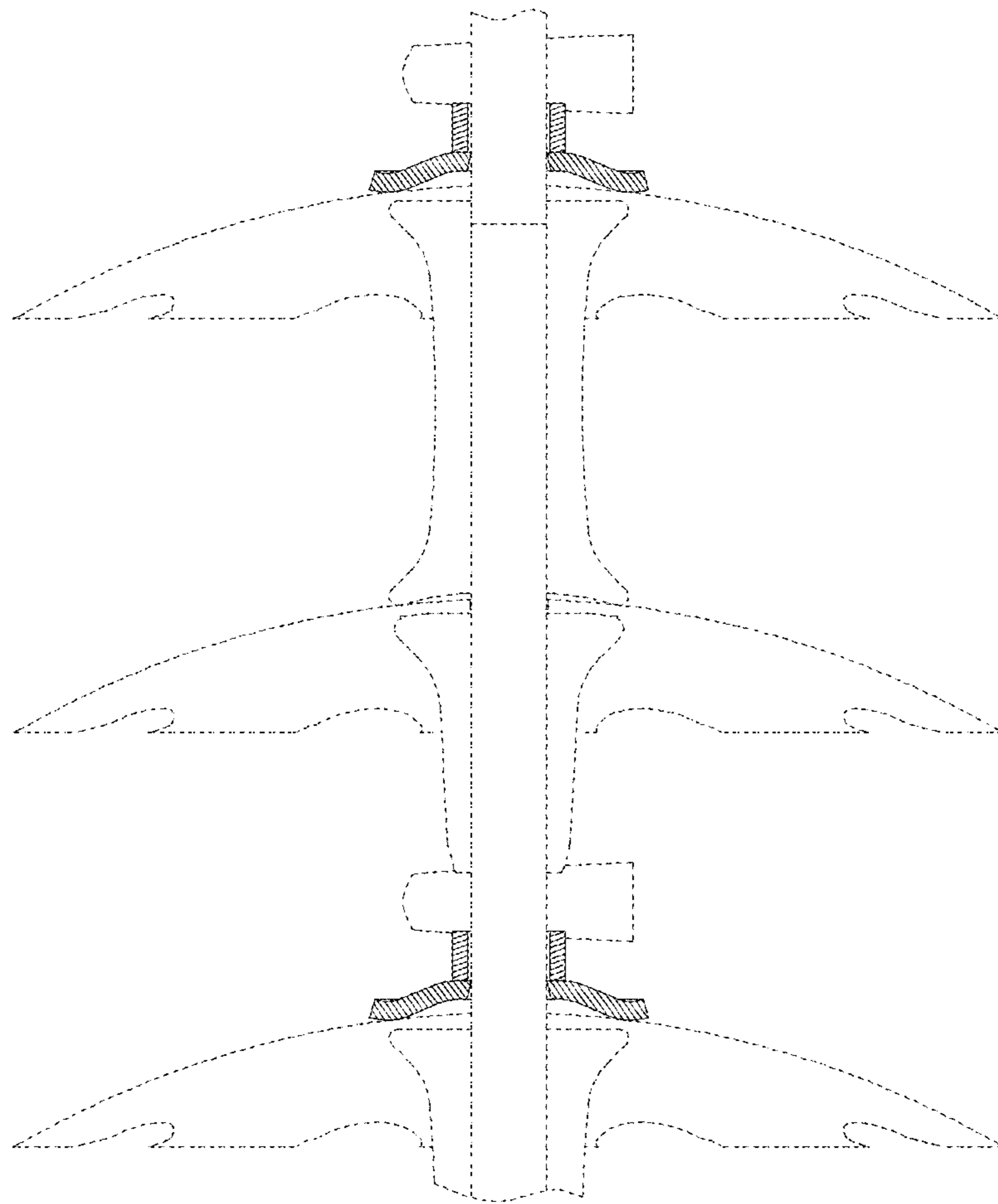


FIG. 10

UNITED STATES PATENT AND TRADEMARK OFFICE
CERTIFICATE OF CORRECTION

PATENT NO. : D812,109 S
APPLICATION NO. : 29/516971
DATED : March 6, 2018
INVENTOR(S) : Cross et al.

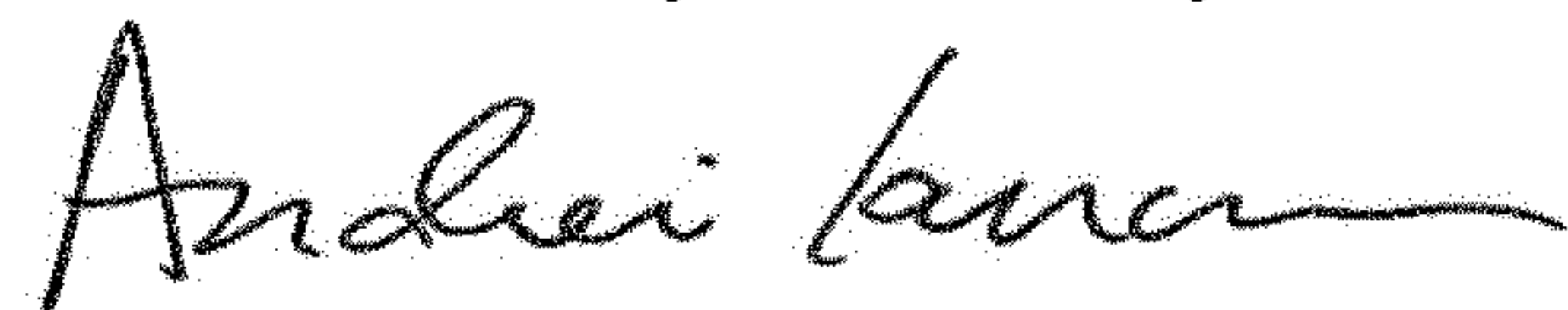
Page 1 of 1

It is certified that error appears in the above-identified patent and that said Letters Patent is hereby corrected as shown below:

On the Title Page

Item (73), assignee: delete "Deer & Company"; insert --Deere & Company--

Signed and Sealed this
Fifteenth Day of January, 2019



Andrei Iancu
Director of the United States Patent and Trademark Office