



US00D812108S

(12) **United States Design Patent**
Jones et al.

(10) **Patent No.:** **US D812,108 S**
(45) **Date of Patent:** **** Mar. 6, 2018**

- (54) **HEX COUPLER**
- (71) Applicant: **BELLTEC INDUSTRIES, INC.**,
Belton, TX (US)
- (72) Inventors: **Donald W Jones**, Belton, TX (US);
Robert Frost, Belton, TX (US)
- (73) Assignee: **Belltec Industries, Inc.**, Belton, TX
(US)
- (**) Term: **15 Years**
- (21) Appl. No.: **29/556,734**
- (22) Filed: **Mar. 2, 2016**
- (51) **LOC (11) Cl.** **15-03**
- (52) **U.S. Cl.**
USPC **D15/21**
- (58) **Field of Classification Search**
USPC D15/21, 28; 37/446, 455, 456, 459;
70/14, 51, 52, 57, 262, 431
CPC Y10T 403/7013; Y10T 403/7018; Y10T
403/587; Y10T 403/553; E02F 9/2825;
E02F 9/2841
See application file for complete search history.

5,992,063 A	11/1999	MacK	
6,439,796 B1	8/2002	Ruvang	
7,162,818 B2	1/2007	Ruvang	
7,313,877 B2	1/2008	Clendenning	
D583,224 S	12/2008	Holdsworth	
D585,916 S	2/2009	Greenleaf	
D588,445 S	3/2009	Holdsworth	
D594,317 S	6/2009	Anthony	
D614,476 S	4/2010	Buhse	
D634,605 S	3/2011	Guimaraes	
D644,249 S	8/2011	Tapper	
D672,794 S	12/2012	Frazier	
D703,031 S	4/2014	Thach	
D743,446 S	11/2015	Jones	
D754,756 S *	4/2016	Jones D15/21
2006/0037219 A1	2/2006	Robinson	
2006/0236567 A1	10/2006	Adamic	
2008/0209772 A1	9/2008	Cui	
2010/0162595 A1	7/2010	Leslie	
2010/0170119 A1	7/2010	Lopez	
2010/0229433 A1	9/2010	Leslie	

* cited by examiner

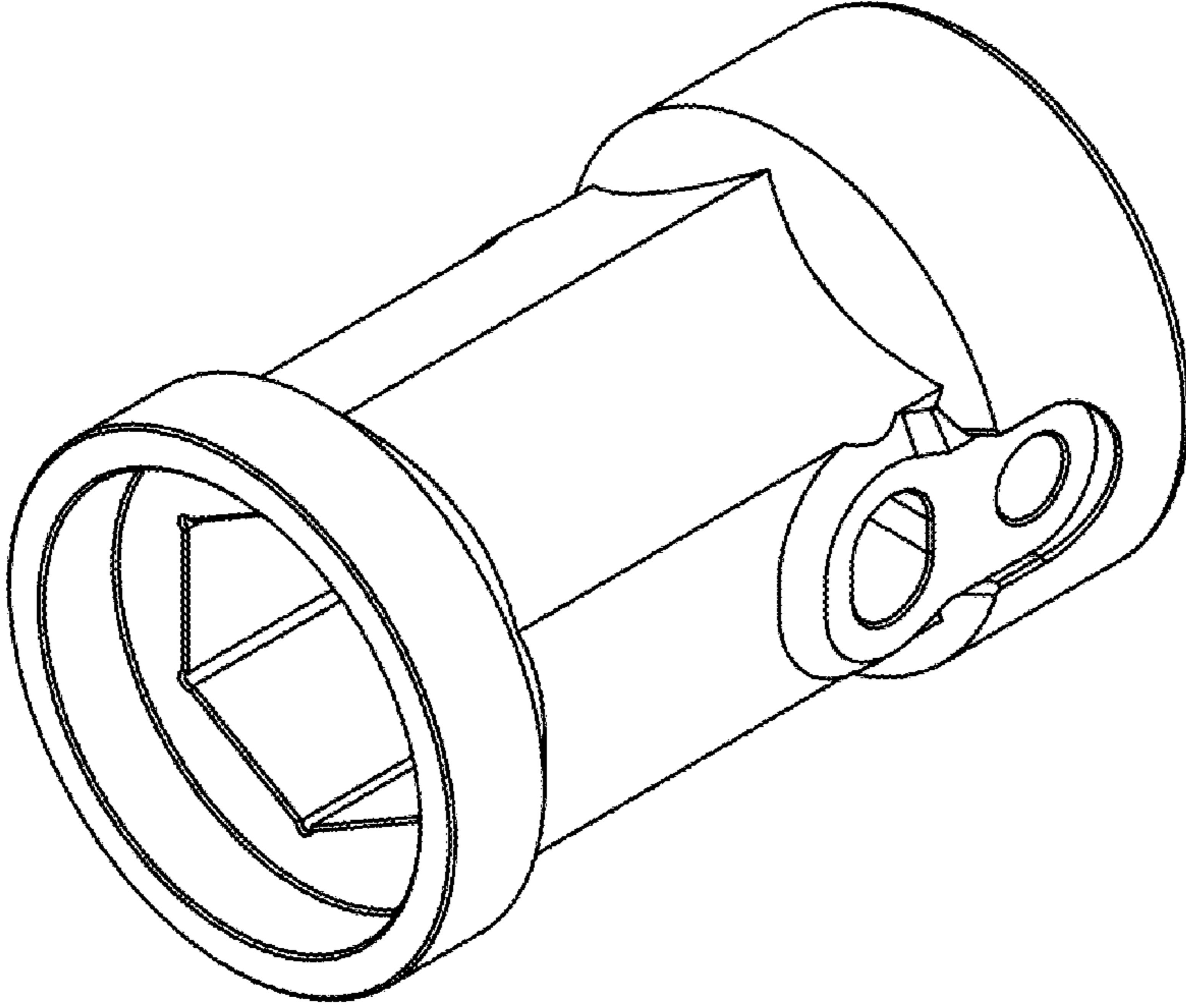
Primary Examiner — Mark Goodwin
(74) *Attorney, Agent, or Firm* — Sand & Sebolt

(57) **CLAIM**
The ornamental design for a hex coupler, as shown and described.

- (56) **References Cited**
U.S. PATENT DOCUMENTS
3,526,435 A 9/1970 Krekeler
D271,375 S 11/1983 Barody
D271,376 S 11/1983 Barody
5,617,655 A 4/1997 Launder
D413,126 S 8/1999 Warren
5,937,550 A 8/1999 Emrich

DESCRIPTION
FIG. 1 is an end view of a coupler, showing our new design; FIG. 2 is a side view thereof; and, FIG. 3 is an isometric view thereof. The opposite end and opposite side views form no part of the claimed design.

1 Claim, 1 Drawing Sheet



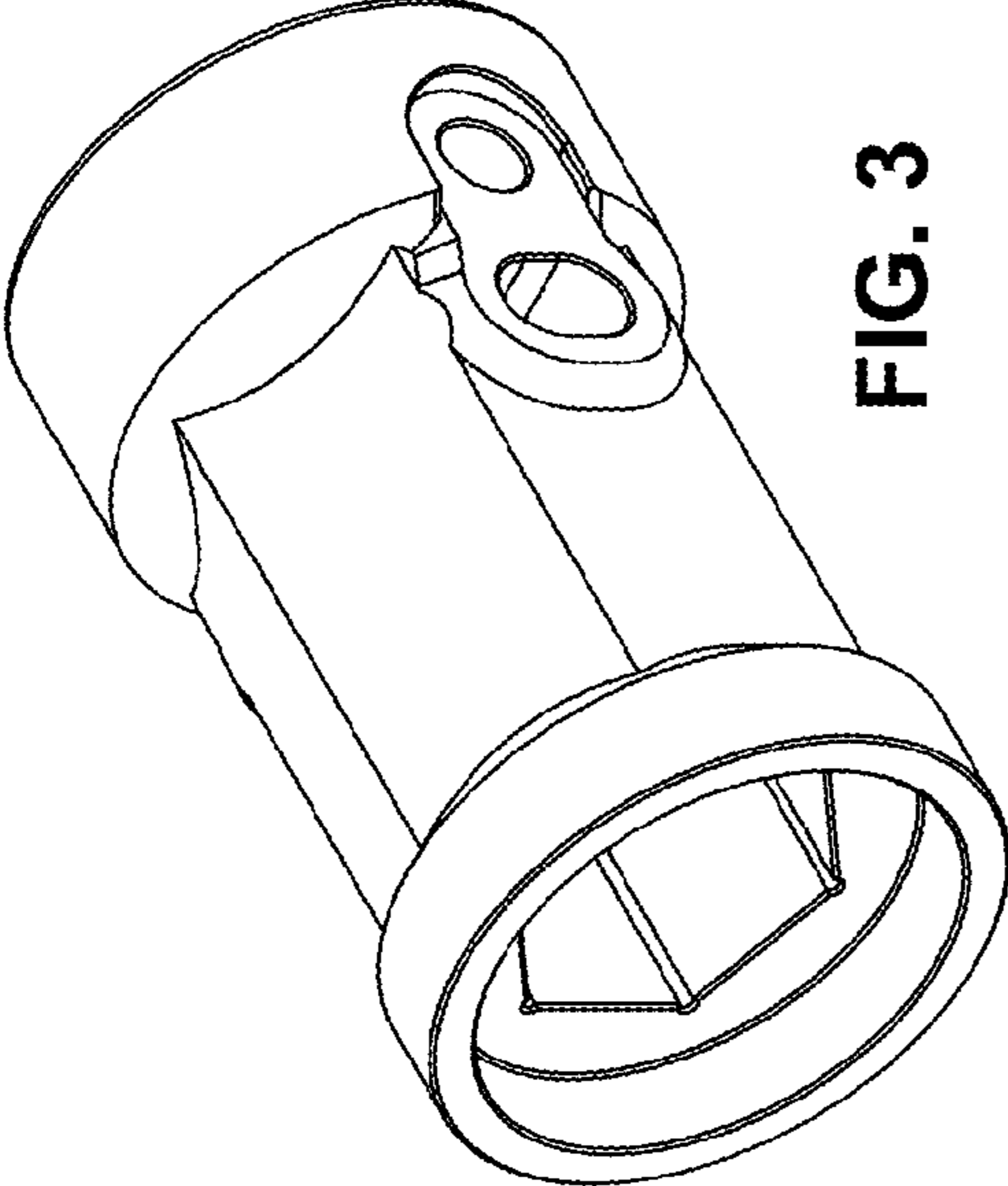


FIG. 3

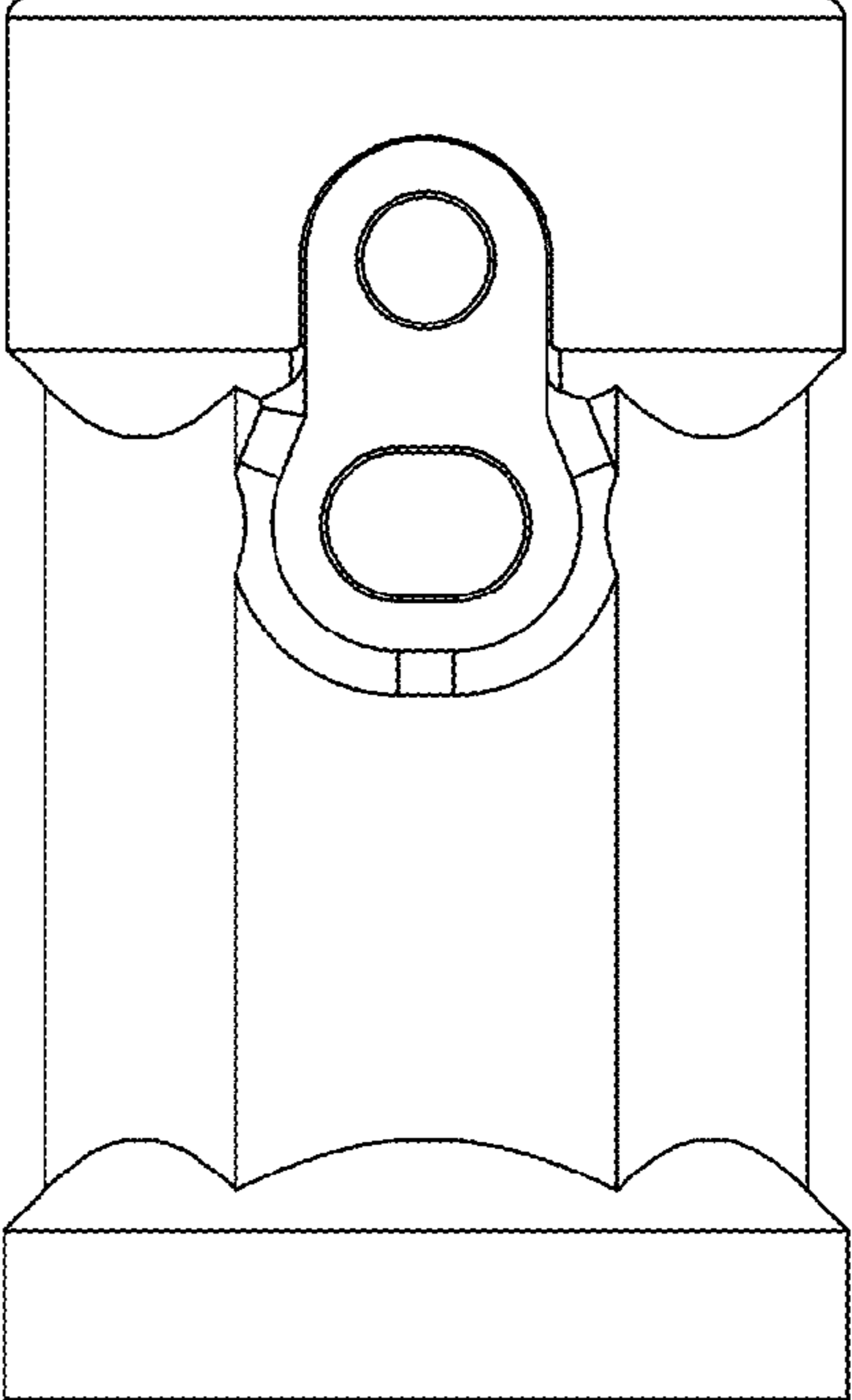


FIG. 2

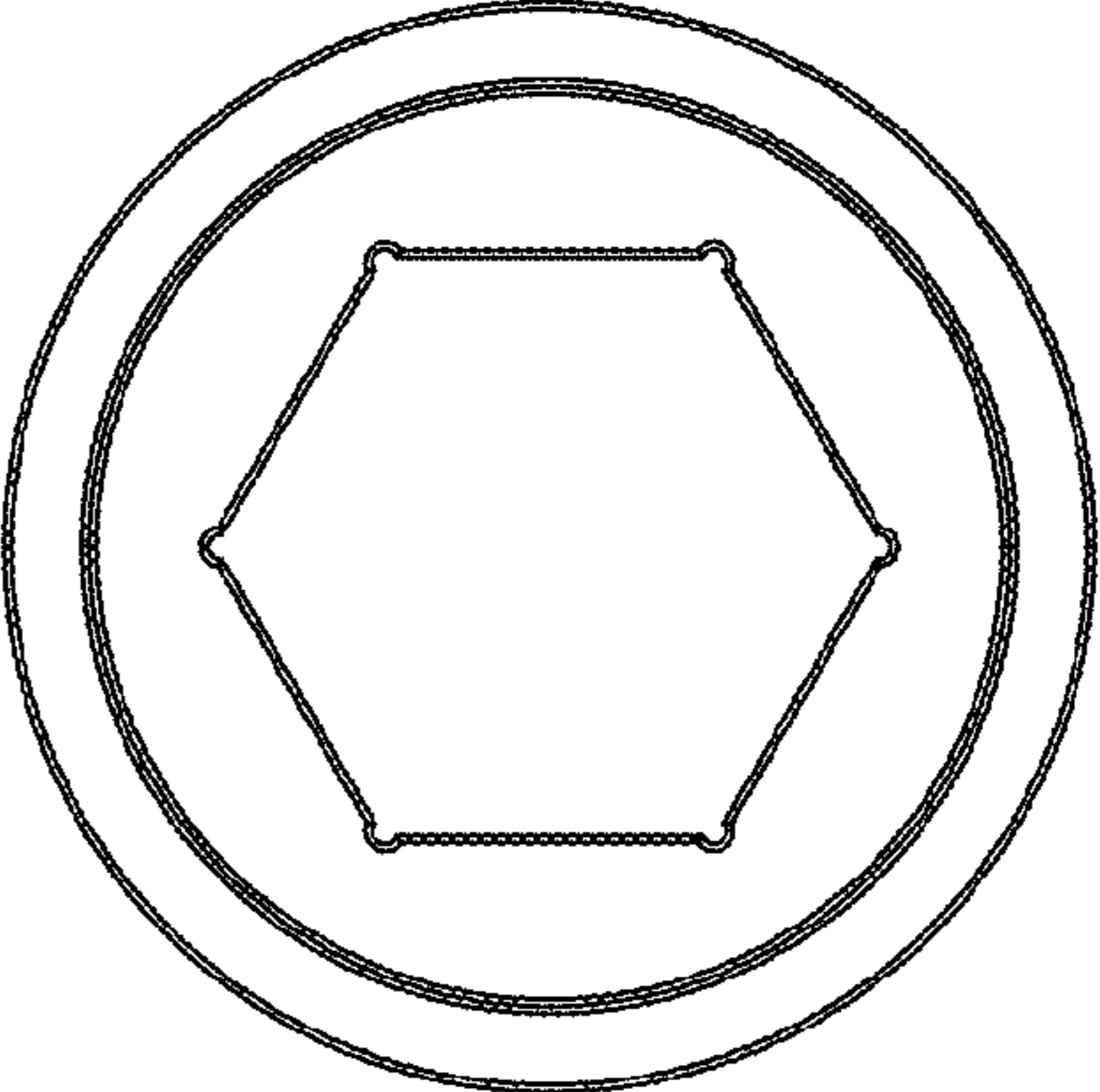


FIG. 1