



US00D812106S

(12) **United States Design Patent**
Minatodani

(10) **Patent No.:** **US D812,106 S**
(45) **Date of Patent:** **** Mar. 6, 2018**

(54) **PUMP**

(71) Applicant: **WELCO CO., LTD.**, Tokyo (JP)

(72) Inventor: **Yoji Minatodani**, Fuchu (JP)

(**) Term: **15 Years**

(21) Appl. No.: **35/501,124**

(22) Filed: **Dec. 21, 2015**

(80) **Hague Agreement Data**

Int. Filing Date: **Dec. 21, 2015**

Int. Reg. No.: **DM/088833**

Int. Reg. Date: **Dec. 21, 2015**

Int. Reg. Pub. Date: **Jun. 24, 2016**

(51) **LOC (11) Cl.** **15-02**

(52) **U.S. Cl.**
USPC **D15/7**

(58) **Field of Classification Search**
USPC D15/7-9; D23/231, 232, 225; D24/111
CPC F04B 19/20; F04B 25/00; F04B 27/00;
F04B 35/00; F04B 37/00; F04B 39/00
See application file for complete search history.

(56) **References Cited**

U.S. PATENT DOCUMENTS

D194,250 S * 12/1962 Lung D15/7
D206,502 S * 12/1966 Wells D15/7

D227,168 S * 6/1973 Chase et al. D15/7
D351,602 S * 10/1994 Rosebraugh D15/7
D432,933 S * 10/2000 Einck D10/101
D443,881 S * 6/2001 Tsai D15/7
D491,957 S * 6/2004 Fang D15/7
D500,770 S * 1/2005 Pohler D15/7
D590,420 S * 4/2009 Casalini D15/7
D659,166 S * 5/2012 Koyama D15/7
8,956,130 B2 * 2/2015 Buzit F04D 9/008
417/423.3
D740,329 S * 10/2015 Gilbert D15/7
D778,906 S * 2/2017 Grubel D10/101

* cited by examiner

Primary Examiner — Darlington Ly

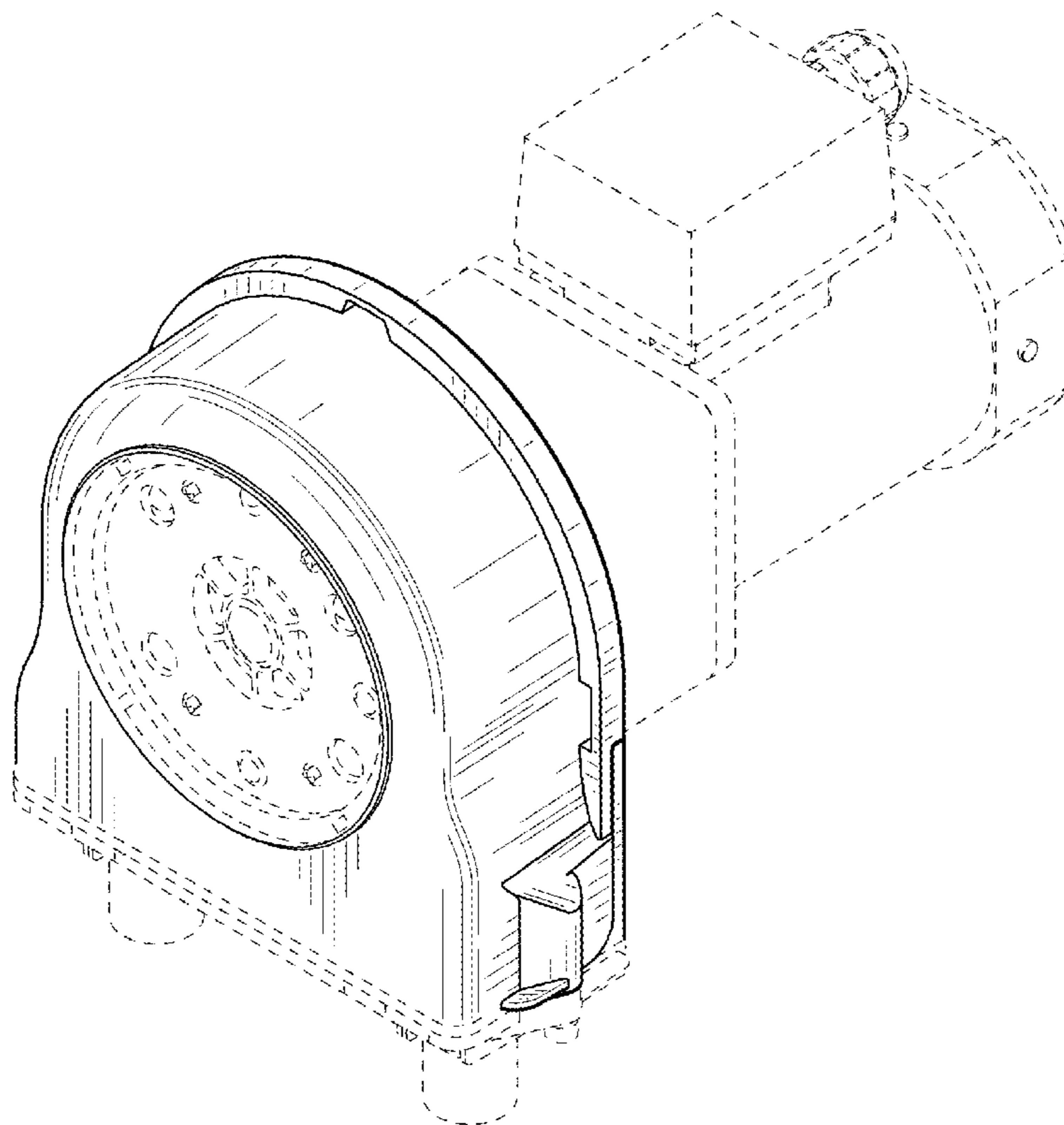
(57) **CLAIM**

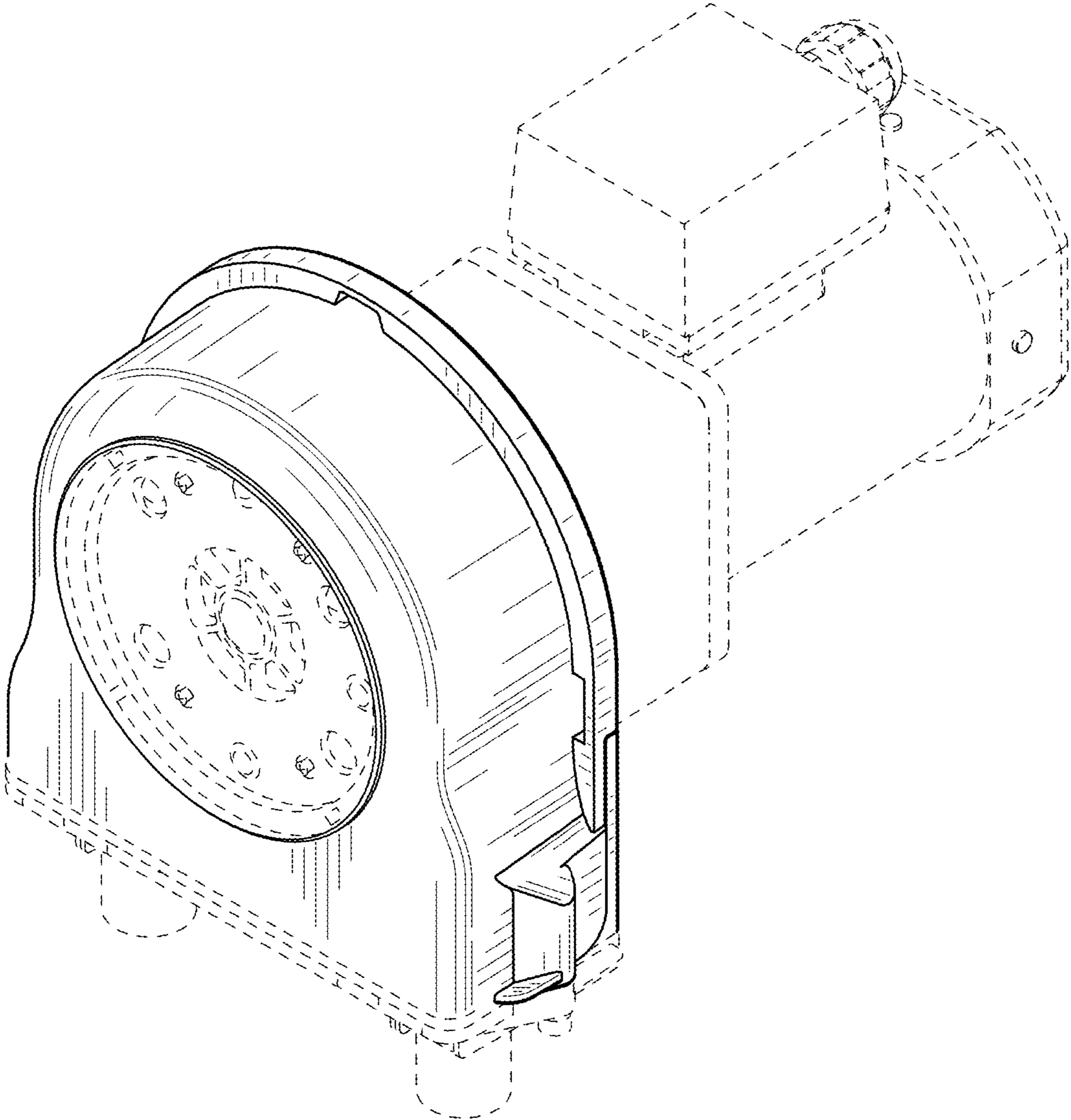
The ornamental design for a pump, as shown and described.

DESCRIPTION

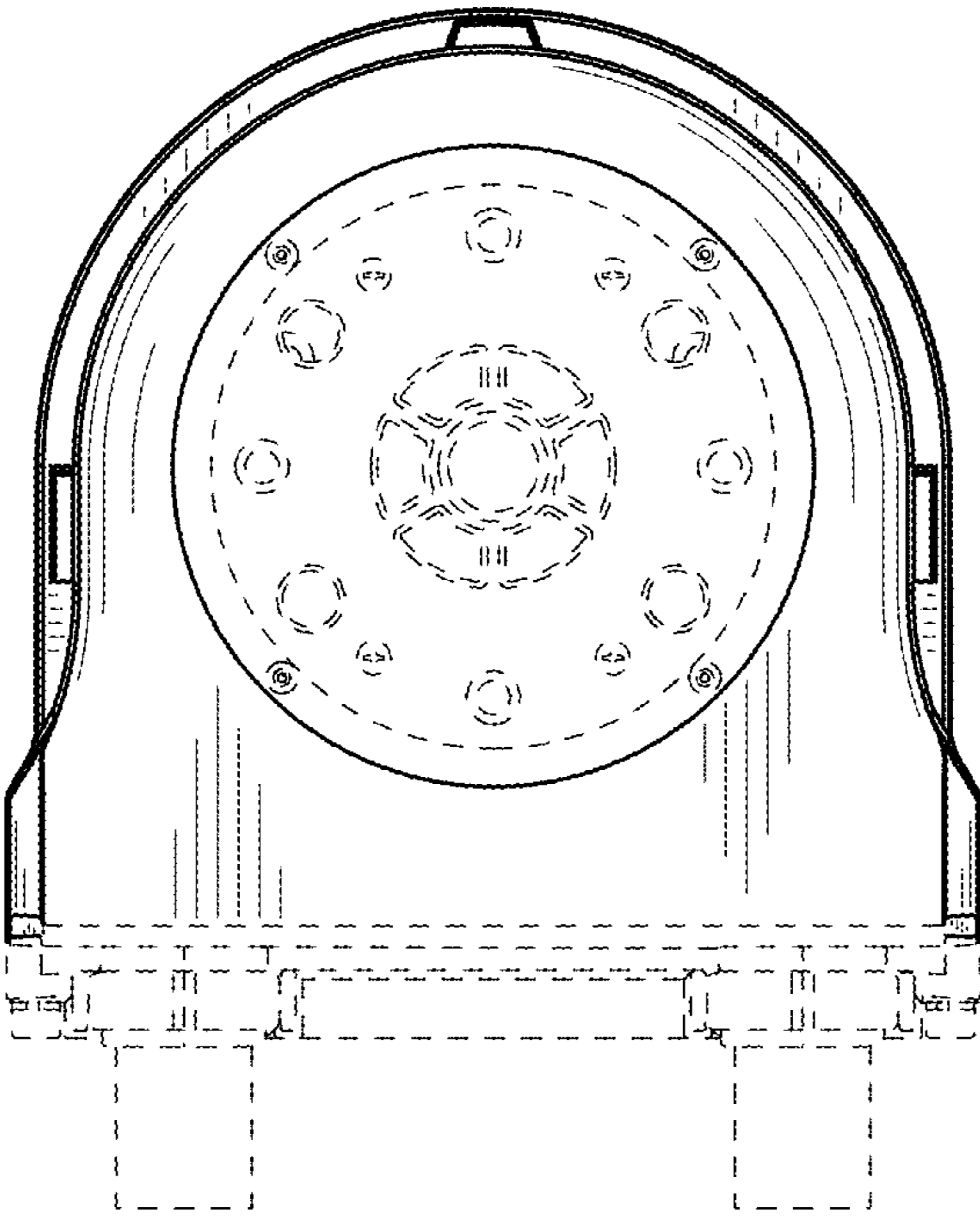
1.1 is a front perspective view of a pump showing my new design;
1.2 is a front elevational view of the pump of 1.1;
1.3 is a rear elevational view of the pump of 1.1;
1.4 is a top plan view of the pump of 1.1;
1.5 is a bottom plan view of the pump of 1.1;
1.6 is a left side elevational view of the pump of 1.1; and
1.7 is a right side elevational view of the pump of 1.1.
The broken lines in the reproductions illustrate portions of the pump that form no part of the claimed design.

1 Claim, 7 Drawing Sheets

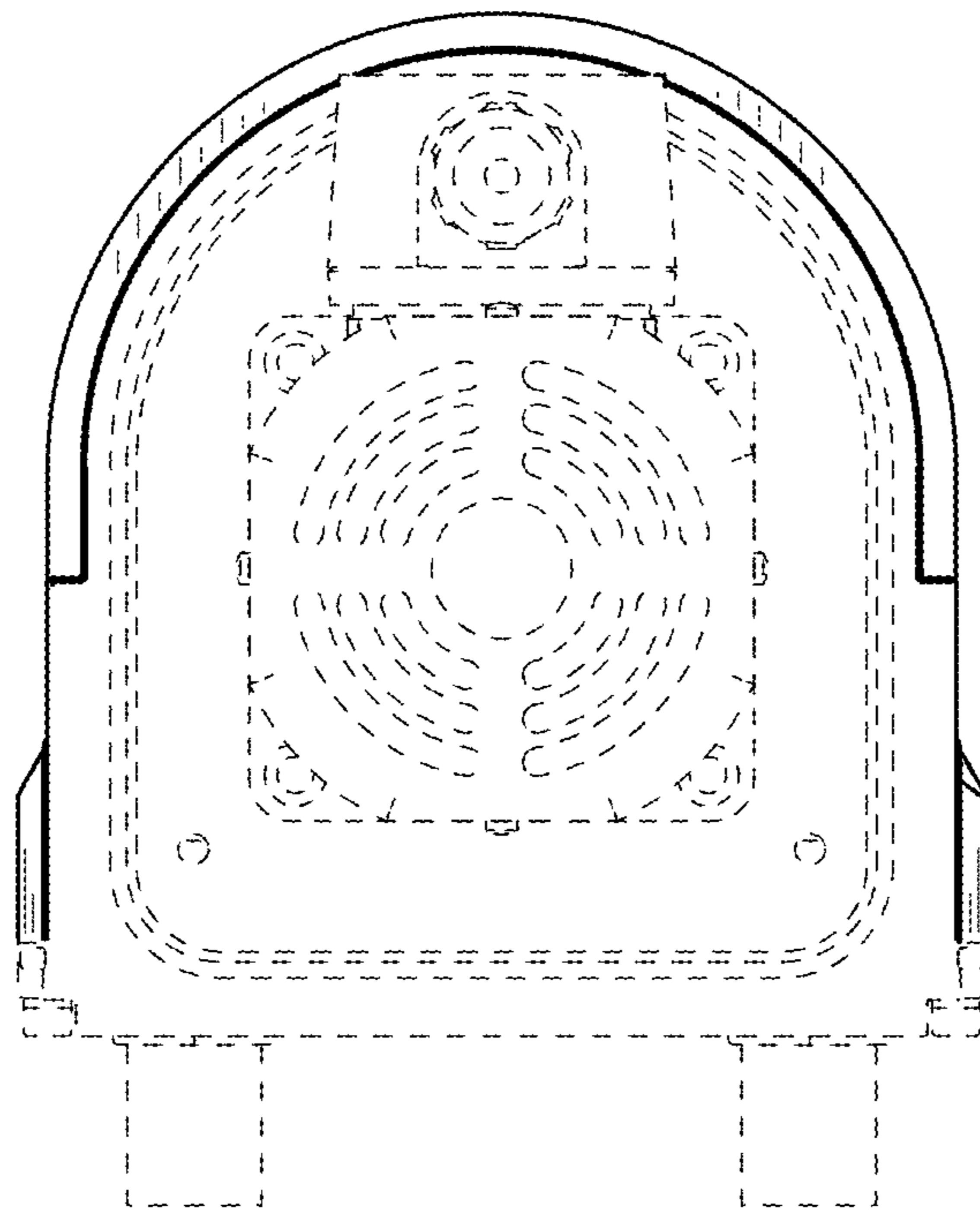




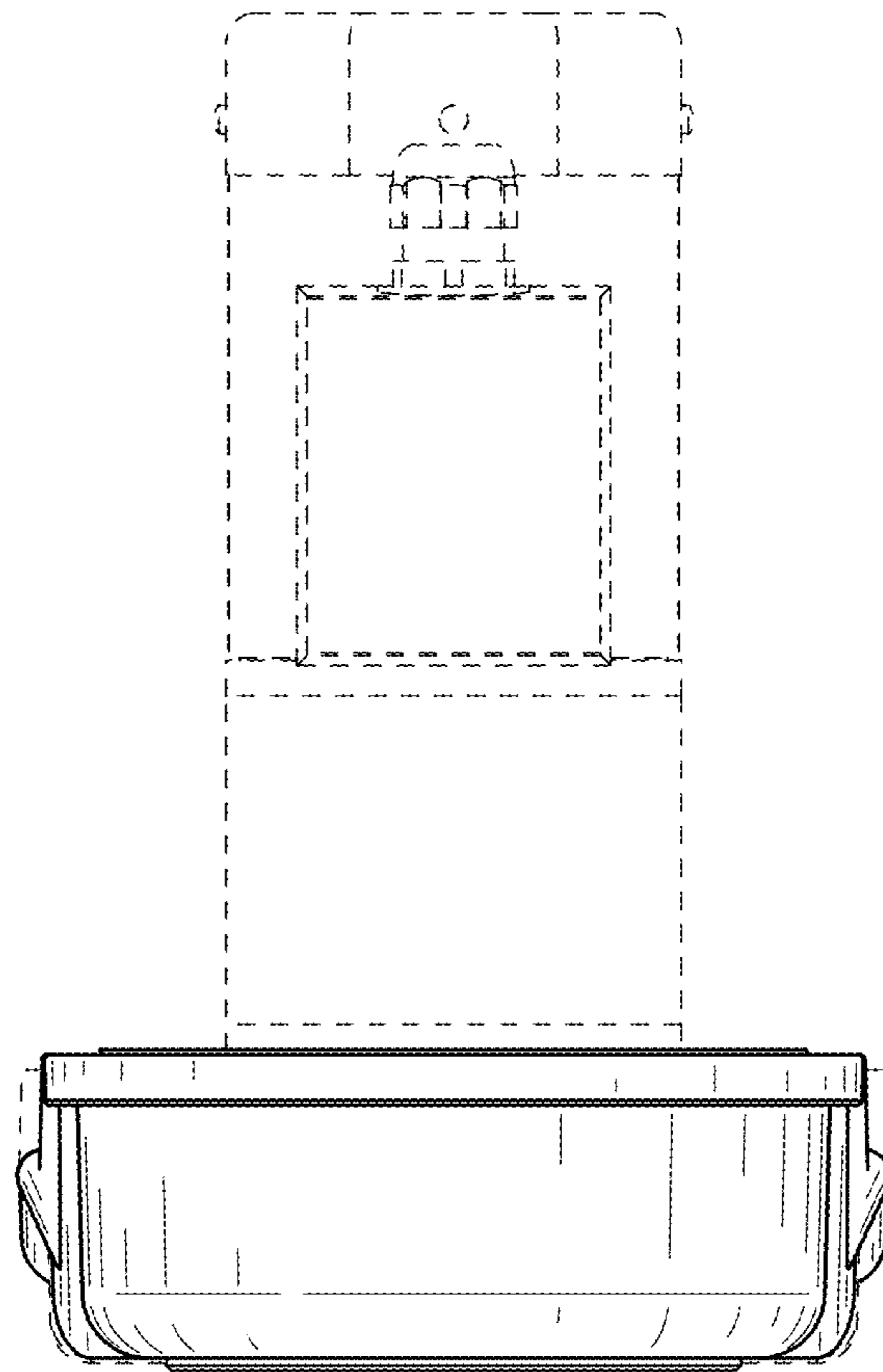
1.1



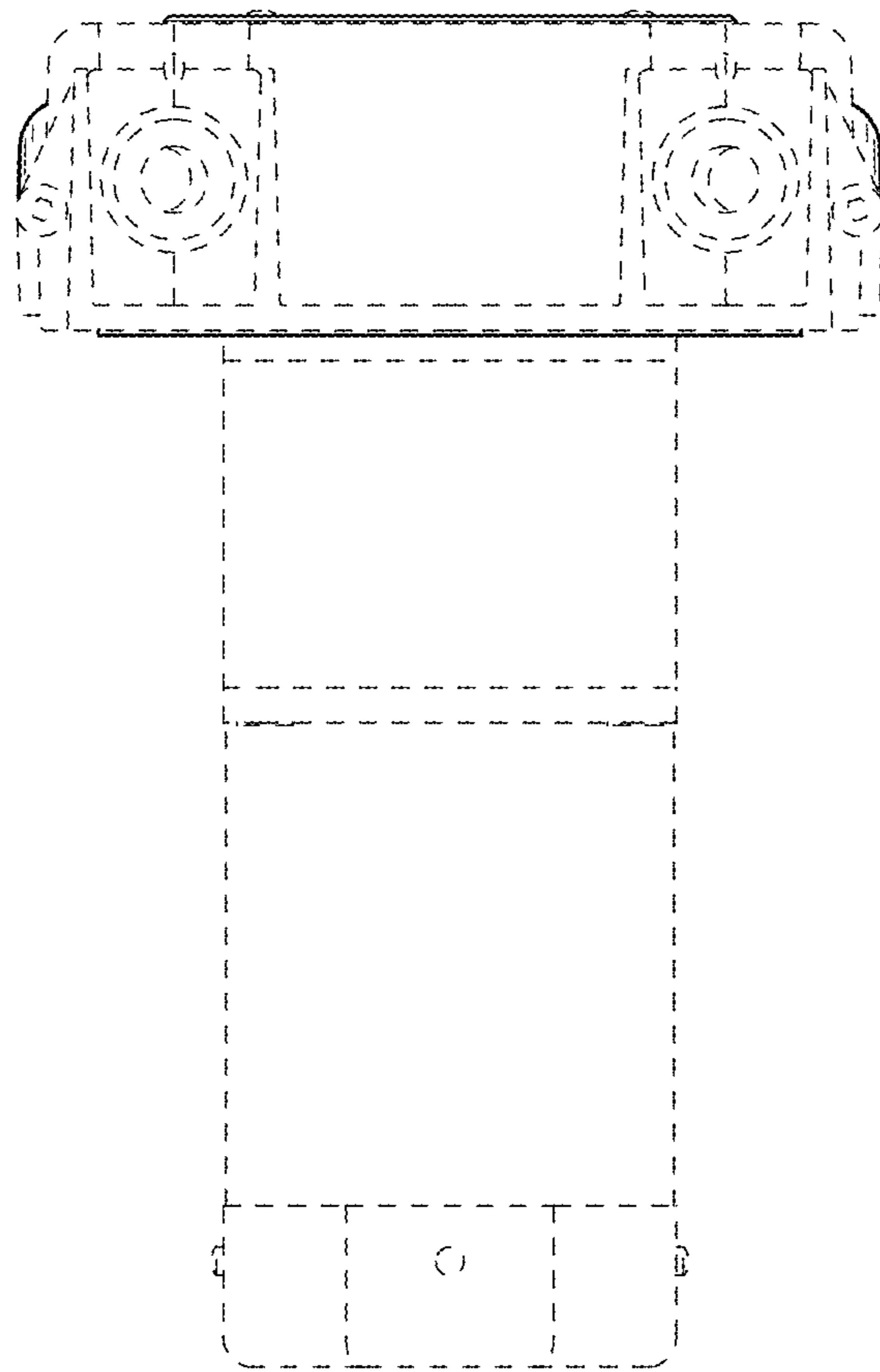
1.2



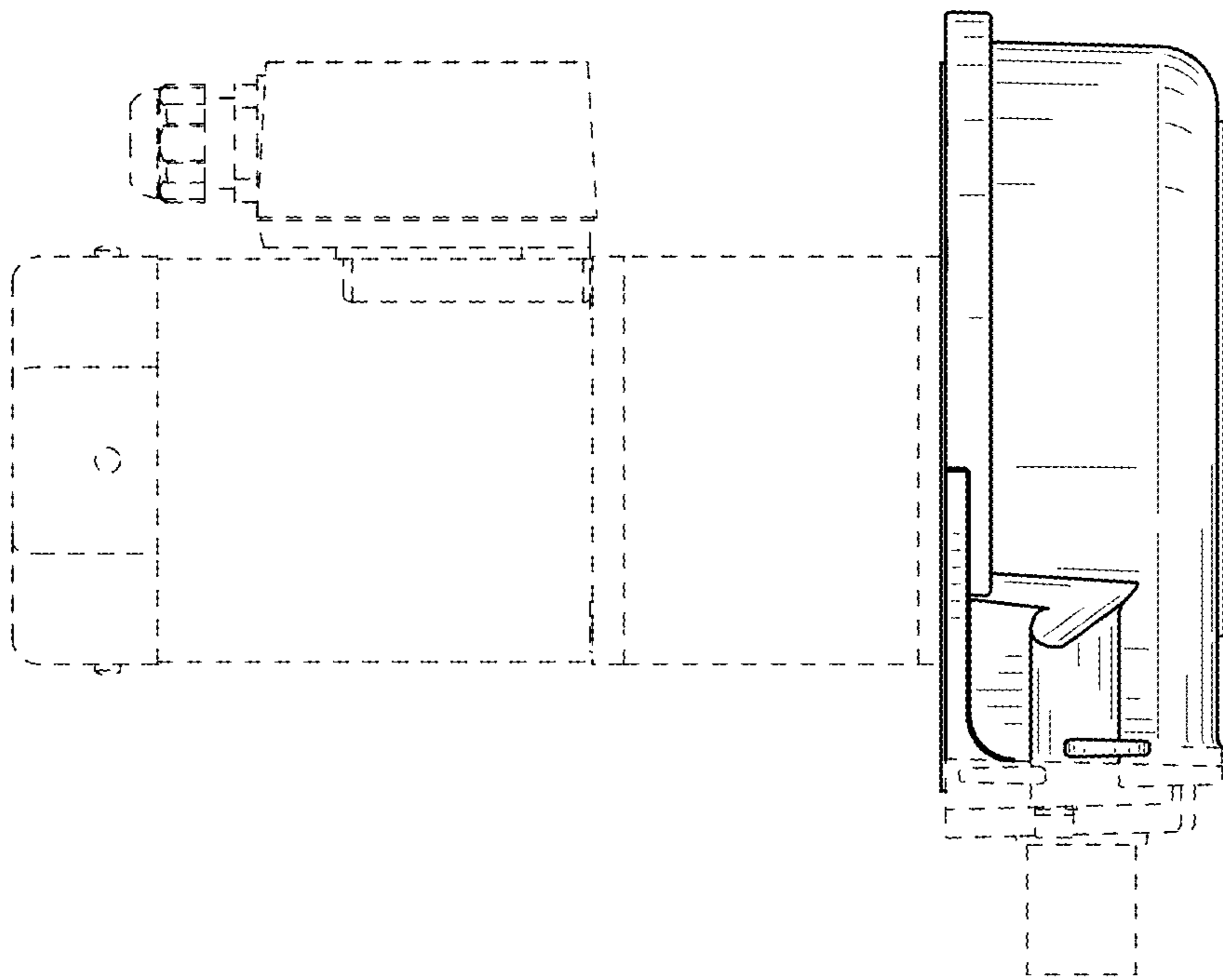
1.3



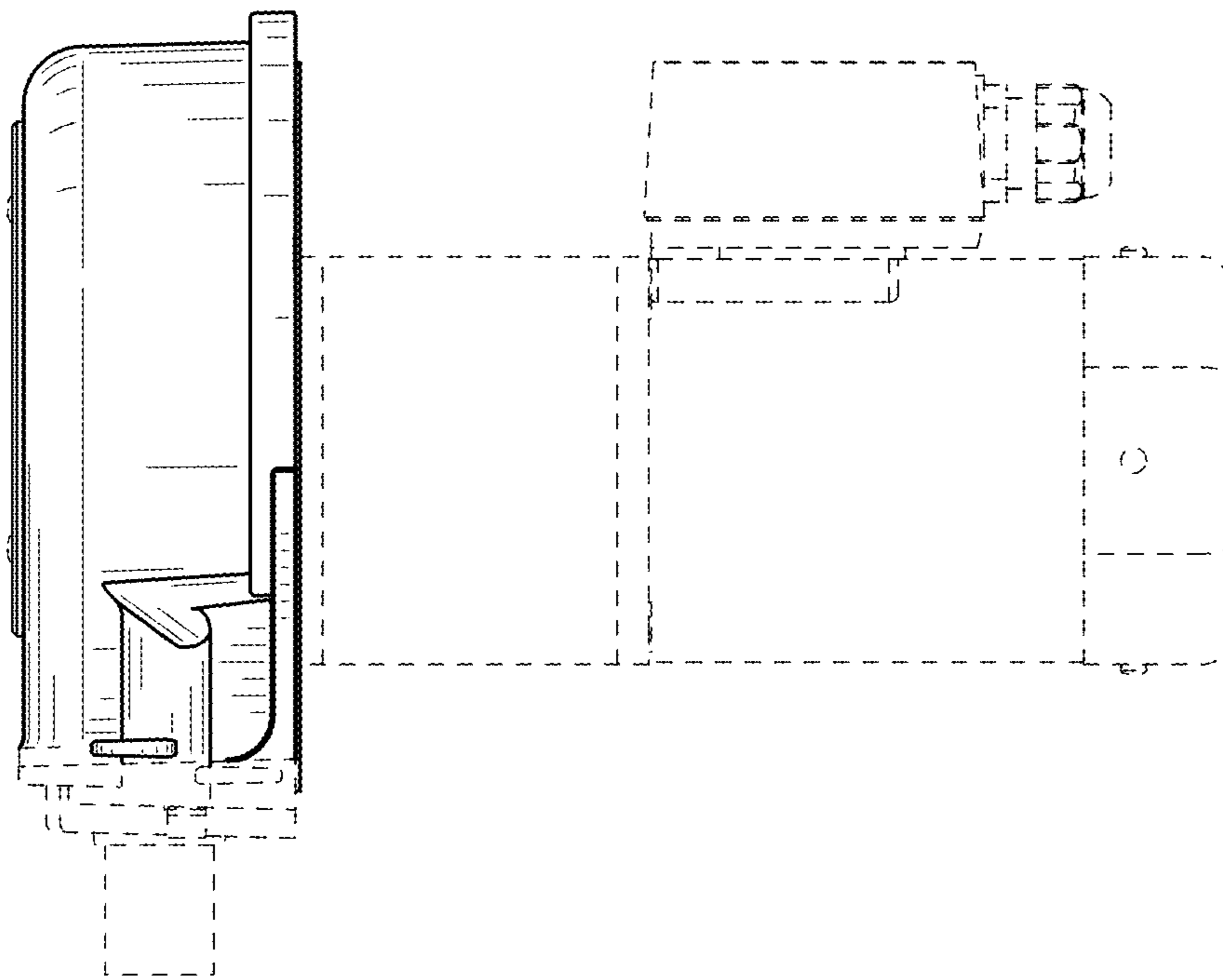
1.4



1.5



1.6



1.7

UNITED STATES PATENT AND TRADEMARK OFFICE
CERTIFICATE OF CORRECTION

PATENT NO. : D812,106 S
APPLICATION NO. : 35/501124
DATED : March 6, 2018
INVENTOR(S) : Yoji Minatodani

Page 1 of 1

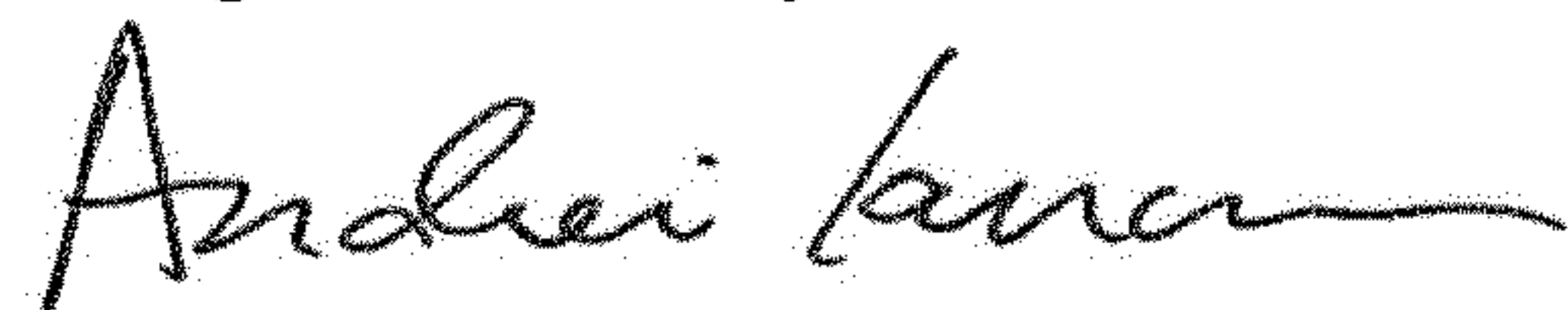
It is certified that error appears in the above-identified patent and that said Letters Patent is hereby corrected as shown below:

On the Title Page

Please correct the following information to item (72) Inventor:

-- (72) Inventor: Yoji Minatodani, Kanagawa (JP) --

Signed and Sealed this
Eighteenth Day of June, 2019



Andrei Iancu
Director of the United States Patent and Trademark Office