



US00D812105S

(12) **United States Design Patent**  
**Agostini**

(10) **Patent No.:** **US D812,105 S**  
(45) **Date of Patent:** **\*\* Mar. 6, 2018**

- (54) **PUMP**
- (71) Applicant: **XYLEM IP MANAGEMENT S.A.R.L.**, Senningerberg (LU)
- (72) Inventor: **Mauro Agostini**, Vò (IT)
- (73) Assignee: **XYLEM IP MANAGEMENT S.A.R.L.**, Senningerberg (LU)

- (\*\*) Term: **15 Years**
- (21) Appl. No.: **29/568,254**
- (22) Filed: **Jun. 16, 2016**

(30) **Foreign Application Priority Data**

Dec. 18, 2015 (EM) ..... 002915587

(51) **LOC (11) Cl.** ..... **15-02**

(52) **U.S. Cl.**  
USPC ..... **D15/7**

(58) **Field of Classification Search**  
USPC ..... D15/7-9; D23/231, 232, 225; 417/60, 417/235, 265, 321, 355, 358, 363, 359, 417/410.1, 415-416, 405, 900, 269, 539; 60/408, 412; 184/26-37; 415/140-147; 123/495, 509; 137/565.34  
CPC ..... F02M 37/04; F02M 37/14; F04B 53/92; F04B 1/005  
See application file for complete search history.

(56) **References Cited**

**U.S. PATENT DOCUMENTS**

- D273,586 S \* 4/1984 Hodgson ..... D15/1
- D283,224 S \* 4/1986 Lametto ..... D15/7

- D285,447 S \* 9/1986 Dudeck ..... D15/7
- D327,271 S \* 6/1992 Cadotte ..... D15/7
- D327,272 S \* 6/1992 Cadotte ..... D15/7
- D327,273 S \* 6/1992 Cadotte ..... D15/7
- D352,041 S \* 11/1994 Hansen ..... D15/7
- D405,096 S \* 2/1999 Dudeck ..... D15/7
- D447,148 S \* 8/2001 Antony ..... D15/7
- D456,423 S \* 4/2002 Kanou ..... D15/9

\* cited by examiner

*Primary Examiner* — Ralf T Seifert

(74) *Attorney, Agent, or Firm* — Koppel, Patrick, Heybl & Philpott

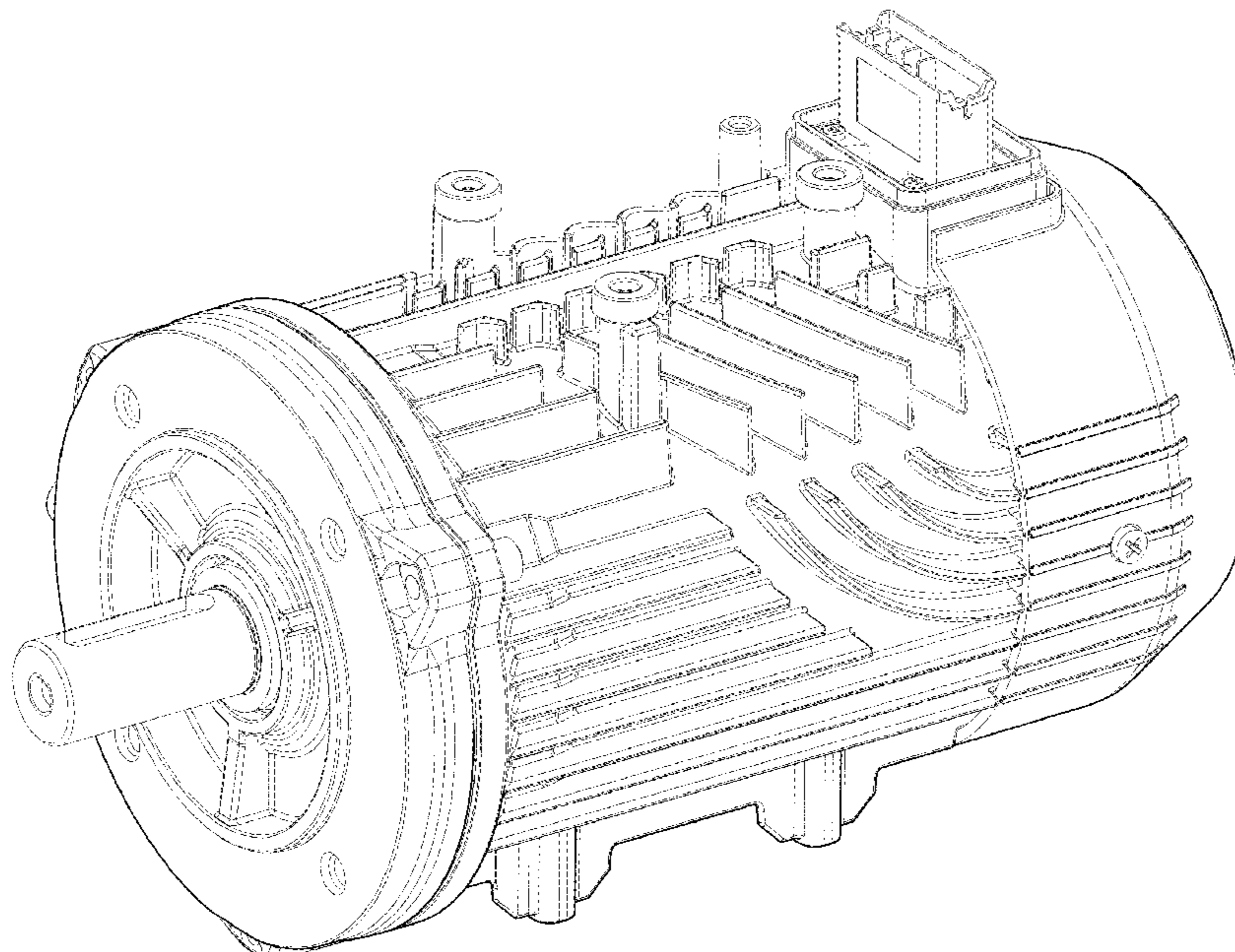
(57) **CLAIM**

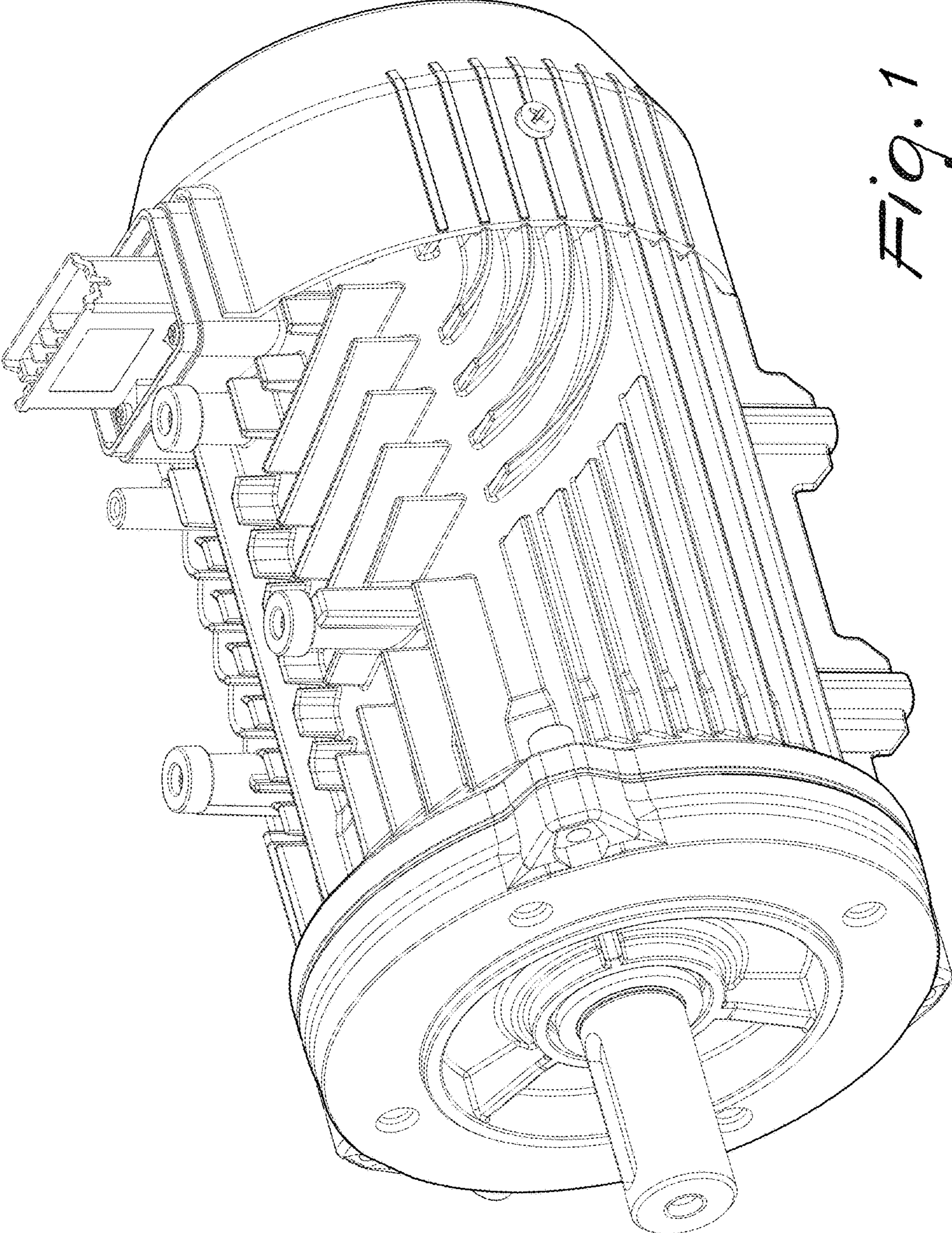
The ornamental design for a pump, as shown and described herein.

**DESCRIPTION**

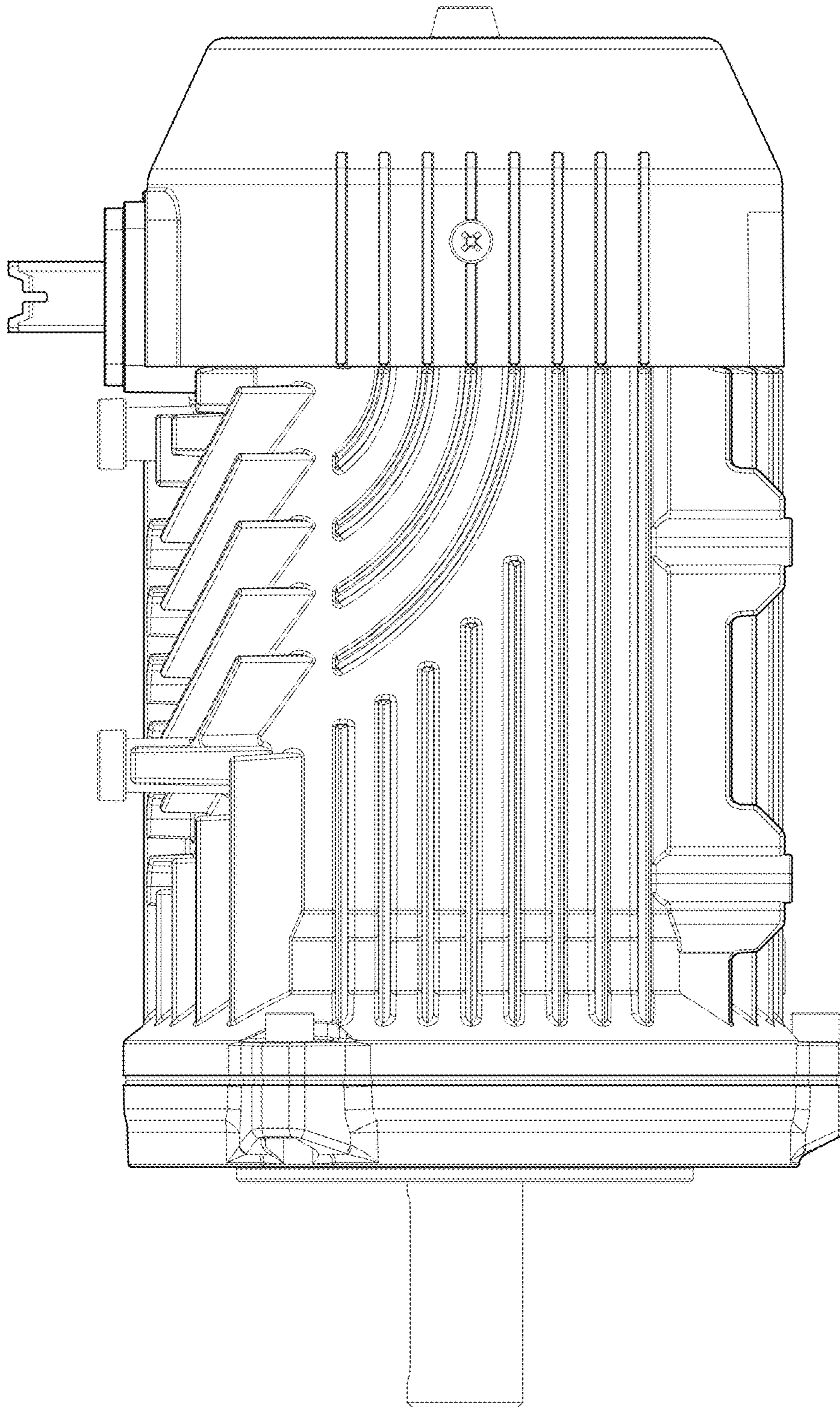
FIG. 1 is a front perspective view of a pump, showing one embodiment of a pump according to the present invention; FIG. 2 is a front elevational view of the pump shown in FIG. 1; FIG. 3 is a rear elevational view of the pump shown in FIG. 1; FIG. 4 is a left elevational view of the pump shown in FIG. 1; FIG. 5 is a right elevational view of the pump shown in FIG. 1; FIG. 6 is a top plan view of the pump shown in FIG. 1; and, FIG. 7 is a bottom plan of the pump shown in FIG. 1. The broken lines represent unclaimed boundaries and/or unclaimed subject matter, and form no part of the claimed design. The broken lines are included for the purpose of illustrating portions of the pump that form no part of the claimed design.

**1 Claim, 6 Drawing Sheets**

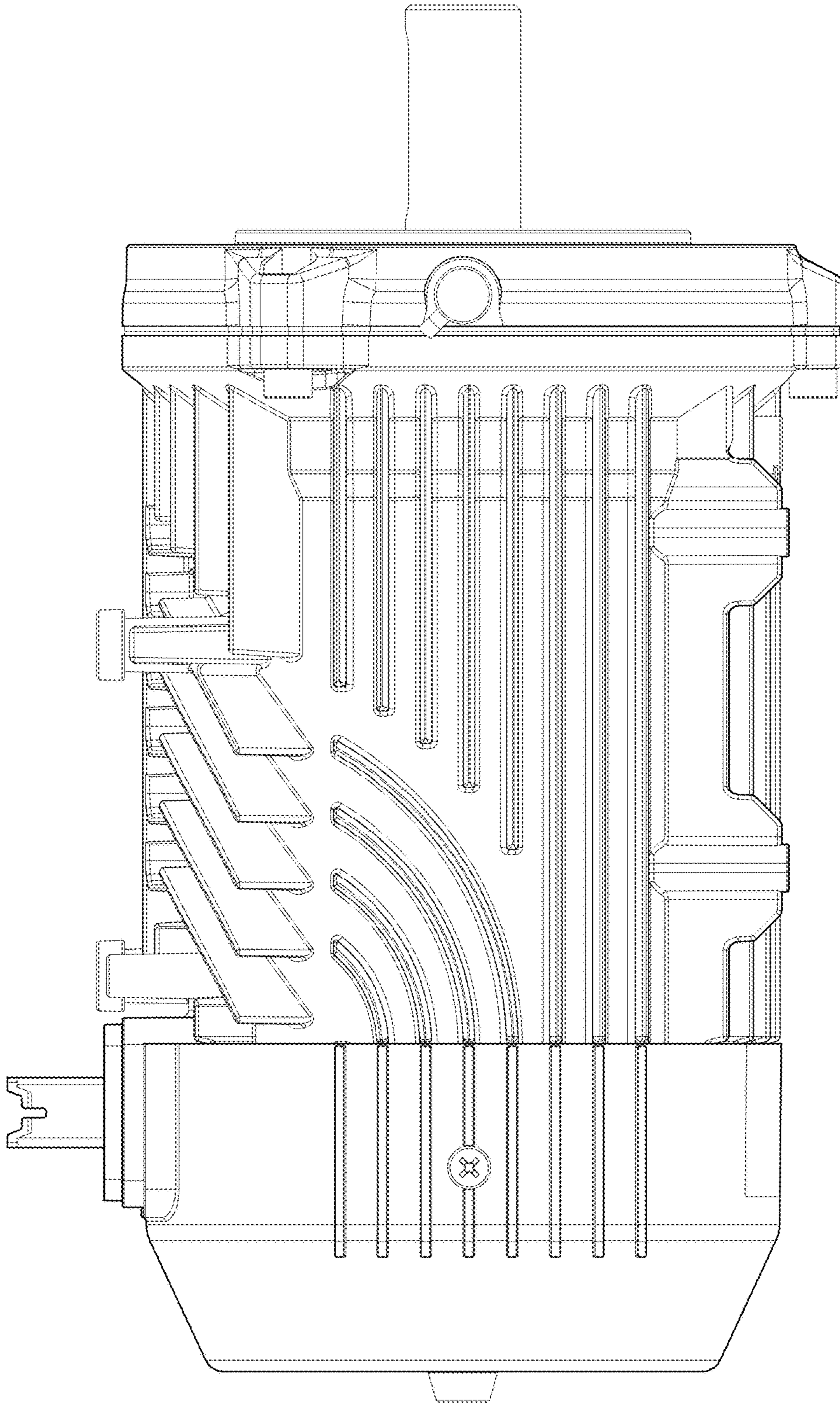




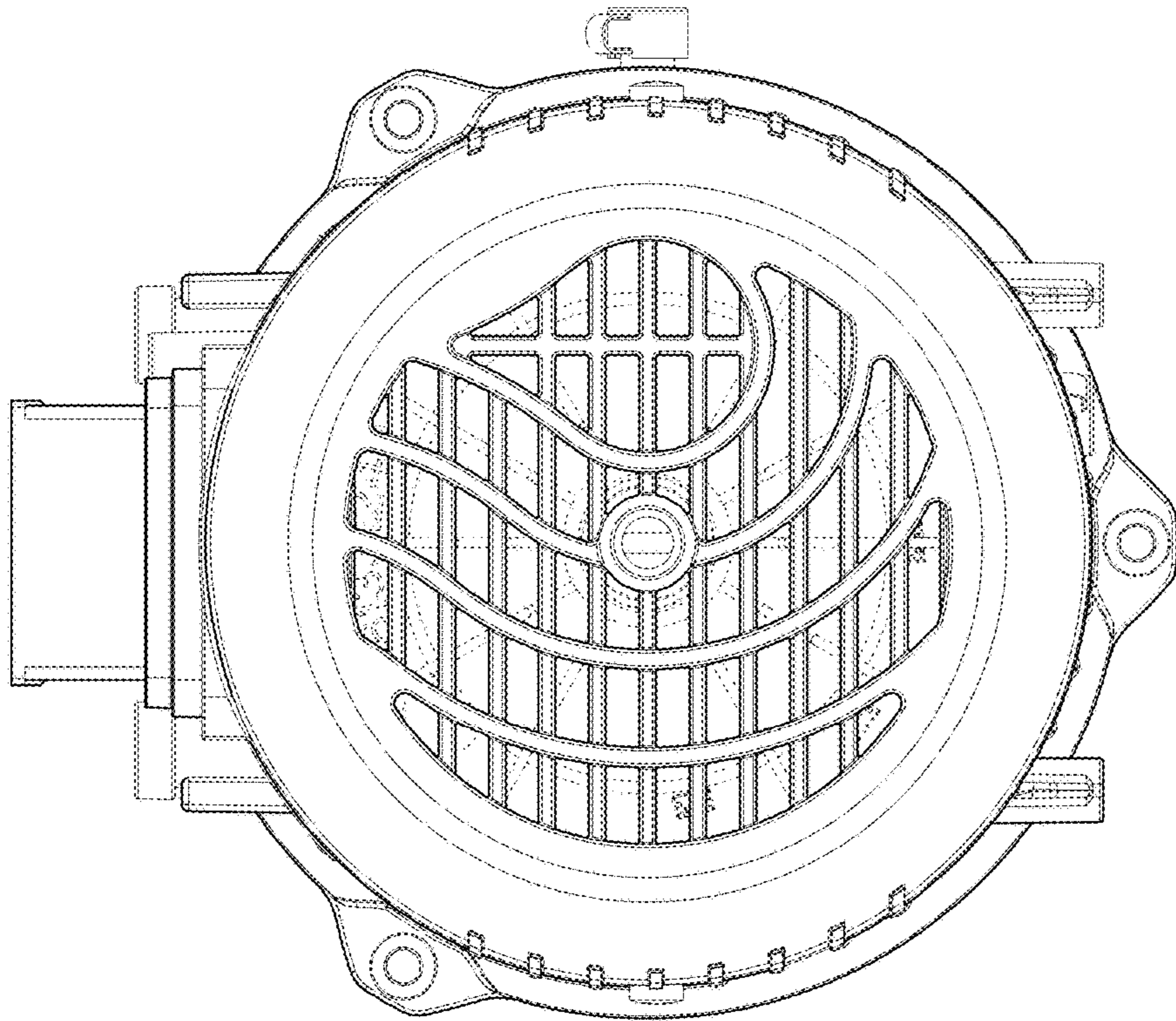
*Fig. 1*



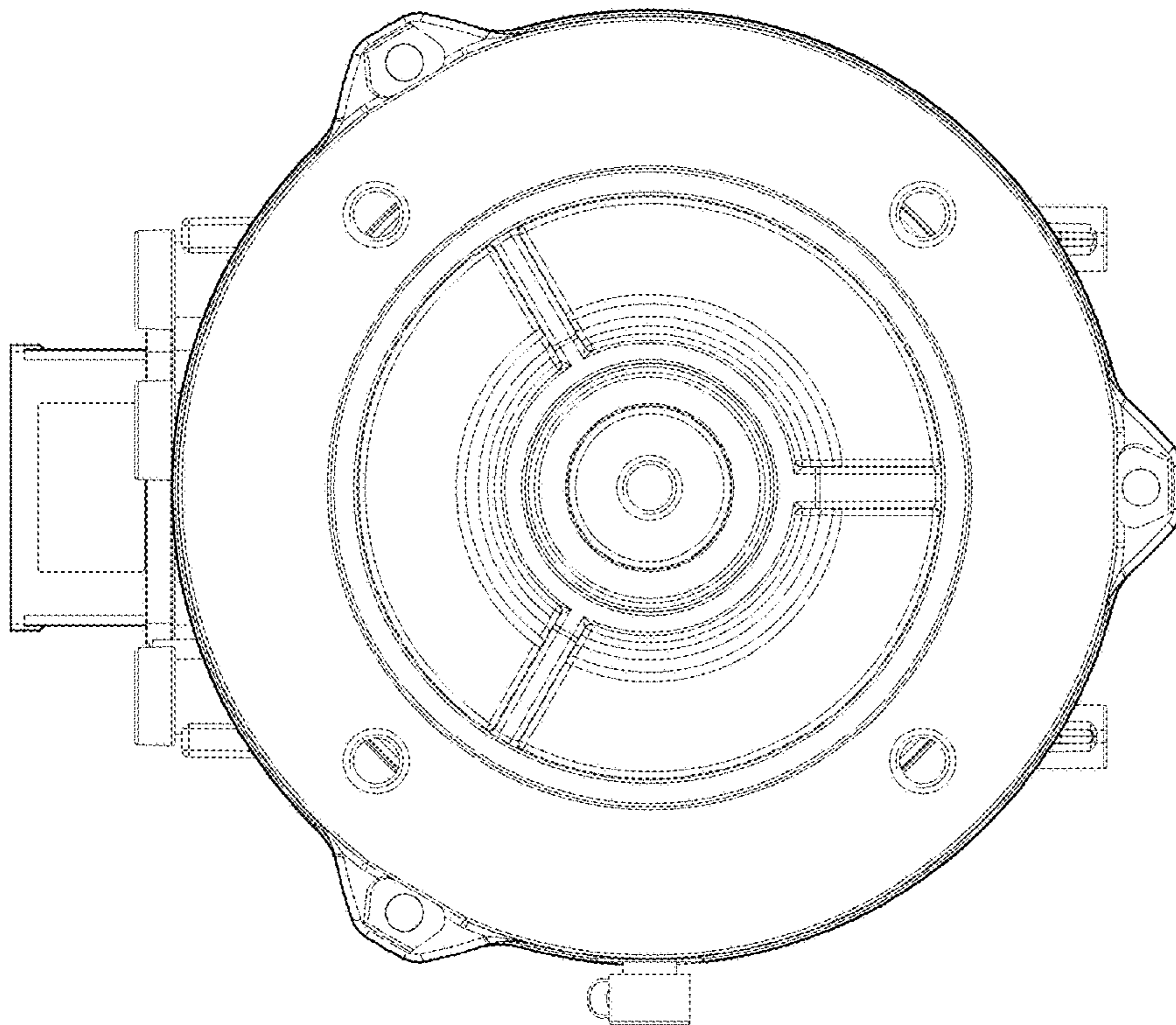
*Fig. 2*



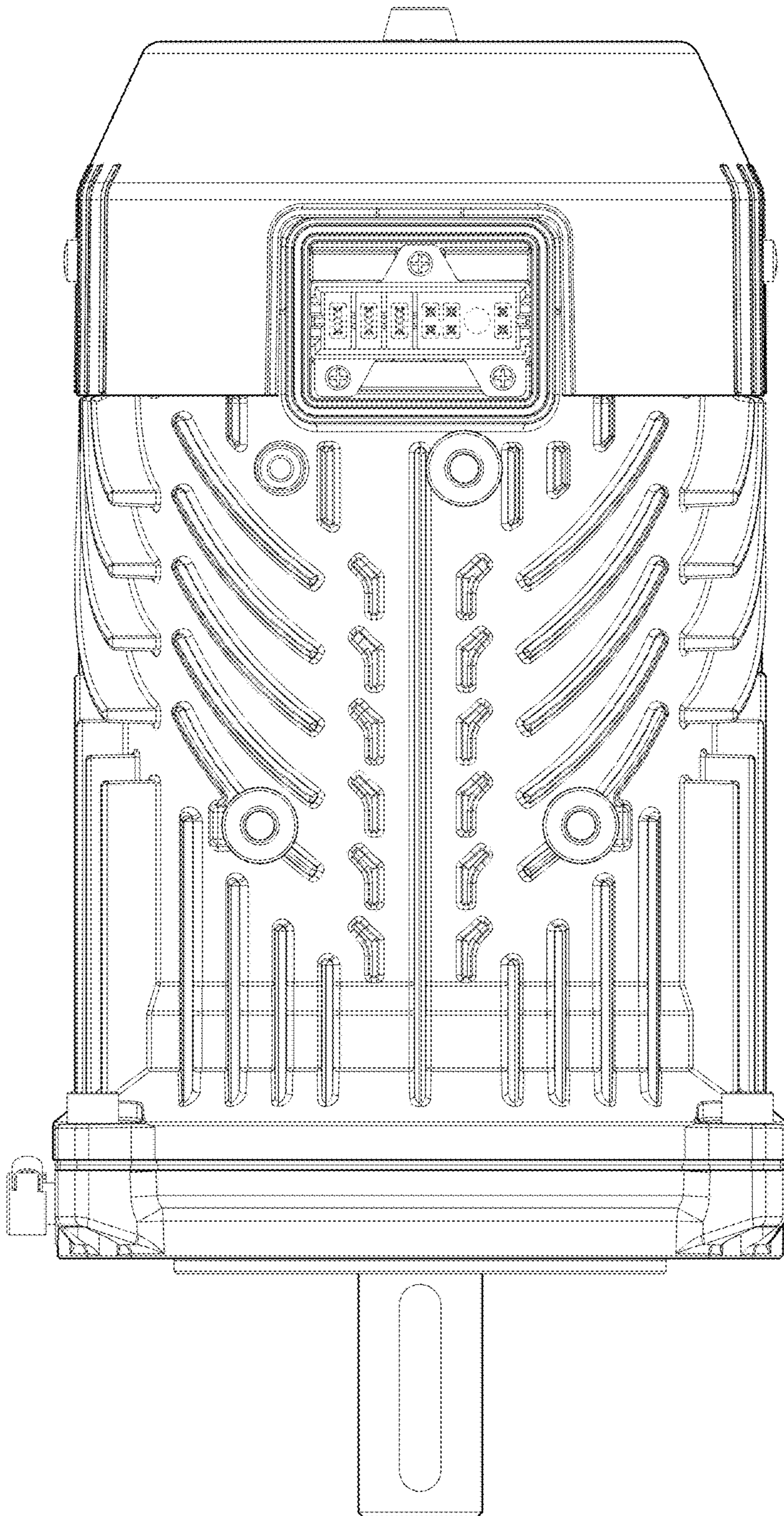
*Fig. 3*



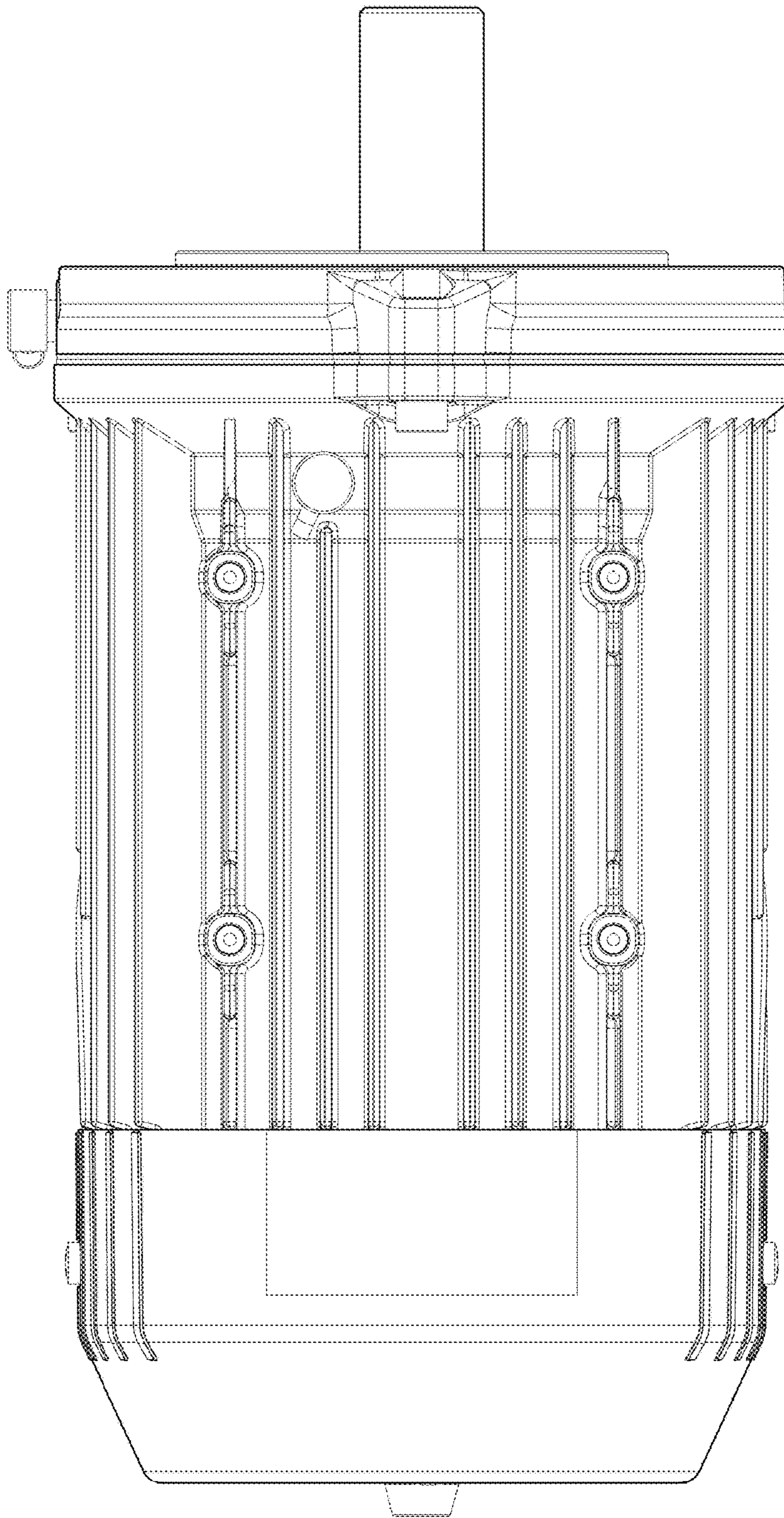
*Fig. 5*



*Fig. 4*



*Fig. 6*



*Fig. 7*