



US00D812103S

(12) **United States Design Patent** (10) **Patent No.:** **US D812,103 S**
Tomlinson et al. (45) **Date of Patent:** **** Mar. 6, 2018**

(54) **VALVE COVER**
(71) Applicant: **Holley Performance Products Inc.**,
Bowling Green, KY (US)
(72) Inventors: **Thomas W. Tomlinson**, Bowling
Green, KY (US); **Robert M. Haynes**,
Bowling Green, KY (US)
(73) Assignee: **Holley Performance Products, Inc.**,
Bowling Green, KY (US)
(**) Term: **15 Years**

4,492,189 A * 1/1985 Ogawa F02B 77/13
123/195 C
4,538,560 A * 9/1985 Alden F02F 7/006
123/193.5
4,593,659 A 6/1986 Wells
D305,767 S * 1/1990 Tauschke D15/5
5,095,860 A 3/1992 Newell
(Continued)

FOREIGN PATENT DOCUMENTS

AU 201712298 5/2017
AU 201712300 5/2017
(Continued)

(21) Appl. No.: **29/583,867**
(22) Filed: **Nov. 9, 2016**
(51) **LOC (11) Cl.** **15-01**
(52) **U.S. Cl.**
USPC **D15/5**
(58) **Field of Classification Search**
USPC D15/1-5
CPC ... F01P 5/02; F01P 1/02; F02B 75/007; F02B
77/13; F02B 75/22; F02F 7/0046; F02F
7/0026; F02F 7/0021; F02F 7/0068; F02F
7/006; F02F 2007/0097; F02F 7/0024;
F02F 7/0039; F02F 7/0065; F02F
2007/0075; F02F 2007/0078; F02F
7/0095; F01M 13/023
See application file for complete search history.

OTHER PUBLICATIONS

Transmittal Letter of Related Cases.
(Continued)

Primary Examiner — T. Chase Nelson
Assistant Examiner — Ania Aman
(74) *Attorney, Agent, or Firm* — Middleton Reutlinger

(57) **CLAIM**

We claim the ornamental design for a valve cover, as shown and described.

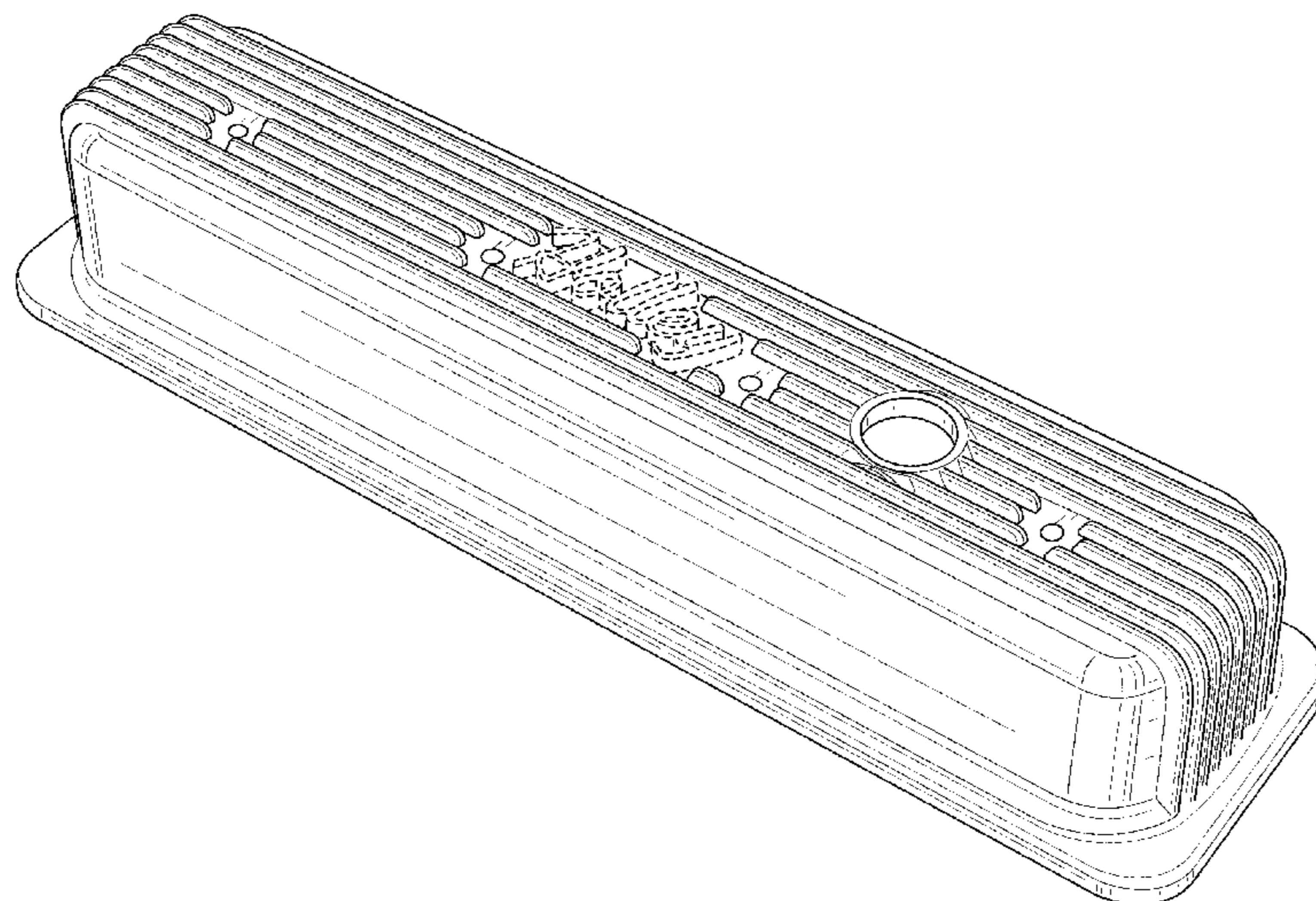
DESCRIPTION

FIG. 1 is a front perspective view of a valve cover showing our new design.
FIG. 2 is a front elevational view thereof;
FIG. 3 is a back elevational view thereof;
FIG. 4 is a left side elevational view thereof;
FIG. 5 is a right side elevational view thereof;
FIG. 6 is a top plan view thereof; and,
FIG. 7 is a bottom plan view thereof.
The broken lines in the drawings illustrate environmental structure on the article and form no part of the claimed design.

1 Claim, 5 Drawing Sheets

(56) **References Cited**
U.S. PATENT DOCUMENTS

2,877,756 A * 3/1959 McCauley F02F 7/006
123/195 C
3,256,871 A * 6/1966 Bintz F01M 13/023
123/572
D252,878 S * 9/1979 Bellino D15/5
4,257,369 A * 3/1981 Abe F02F 7/008
123/195 C
4,261,310 A * 4/1981 Laws, Jr. F02B 75/22
123/198 E



(56)

References Cited

U.S. PATENT DOCUMENTS

5,365,901 A * 11/1994 Kiczek F02F 7/006
123/195 C

5,513,603 A 5/1996 Ang

5,513,604 A * 5/1996 Clement F02F 7/006
123/90.38

5,687,975 A * 11/1997 Inciong F02F 7/006
277/591

D418,844 S * 1/2000 Occhiuto D15/5

D503,724 S * 4/2005 Grant D15/5

7,137,378 B1 * 11/2006 Jaeger F02D 9/1035
123/198 D

D543,998 S * 6/2007 Platt D15/5

7,343,890 B1 * 3/2008 Platt F02F 7/006
123/195 C

D574,853 S * 8/2008 Harbert D15/5

D580,954 S * 11/2008 Platt D15/5

7,765,971 B1 * 8/2010 Overacker F01M 9/10
123/193.5

8,056,522 B1 * 11/2011 Carter F02F 7/006
123/193.5

D657,798 S * 4/2012 Platt D15/5

8,424,503 B1 * 4/2013 Harbert F02F 7/006
123/195 C

D700,288 S * 2/2014 Santos D23/249

D727,362 S * 4/2015 Platt D15/5

D735,759 S * 8/2015 Chan D15/5

D788,824 S * 6/2017 Choi D15/5

2002/0112684 A1 8/2002 Jones

2005/0132997 A1 * 6/2005 Vargas F02F 7/006
123/195 C

2007/0169734 A1 * 7/2007 Harbert F02F 7/006
123/90.38

2007/0277724 A1 * 12/2007 Sammons F02F 7/006
116/28 R

2008/0001040 A1 1/2008 Franks

2008/0121199 A1 * 5/2008 Harbert F02F 7/006
123/90.38

2009/0241879 A1 * 10/2009 Harbert F01M 11/04
123/90.38

2010/0043740 A1 2/2010 Turner, Jr.

2017/0022931 A1 1/2017 Webb

FOREIGN PATENT DOCUMENTS

AU 201712302 5/2017

AU 201712303 5/2017

AU 201712306 5/2017

AU 201712313 5/2017

AU 201712314 5/2017

AU 201712315 5/2017

AU 201712316 5/2017

AU 201712317 5/2017

AU 201712318 5/2017

AU 201712321 5/2017

AU 201712322 5/2017

AU 201712323 5/2017

OTHER PUBLICATIONS

Design U.S. Appl. No. 29/583,807 entitled "Valve Cover" filed Nov. 9, 2016.

Design U.S. Appl. No. 29/583,814 entitled "Engine Valley Cover" filed Nov. 9, 2016.

Design U.S. Appl. No. 29/583,820 entitled "Engine Valley Cover" filed Nov. 9, 2016.

Design U.S. Appl. No. 29/583,824 entitled "Engine Valley Cover" filed Nov. 9, 2016.

Design U.S. Appl. No. 29/583,835 entitled "Set of Engine Valve Covers" filed Nov. 9, 2016.

Design U.S. Appl. No. 29/583,843 entitled "Set of Engine Valve Covers" filed Nov. 9, 2016.

Design U.S. Appl. No. 29/583,851 entitled "Set of Engine Valve Covers" filed Nov. 9, 2016.

Design U.S. Appl. No. 29/583,828 entitled "Engine Valley Cover" filed Nov. 9, 2016.

Design U.S. Appl. No. 29/583,874 entitled "Valve Cover" filed Nov. 9, 2016.

Design U.S. Appl. No. 29/583,878 entitled "Valve Cover" filed Nov. 9, 2016.

* cited by examiner

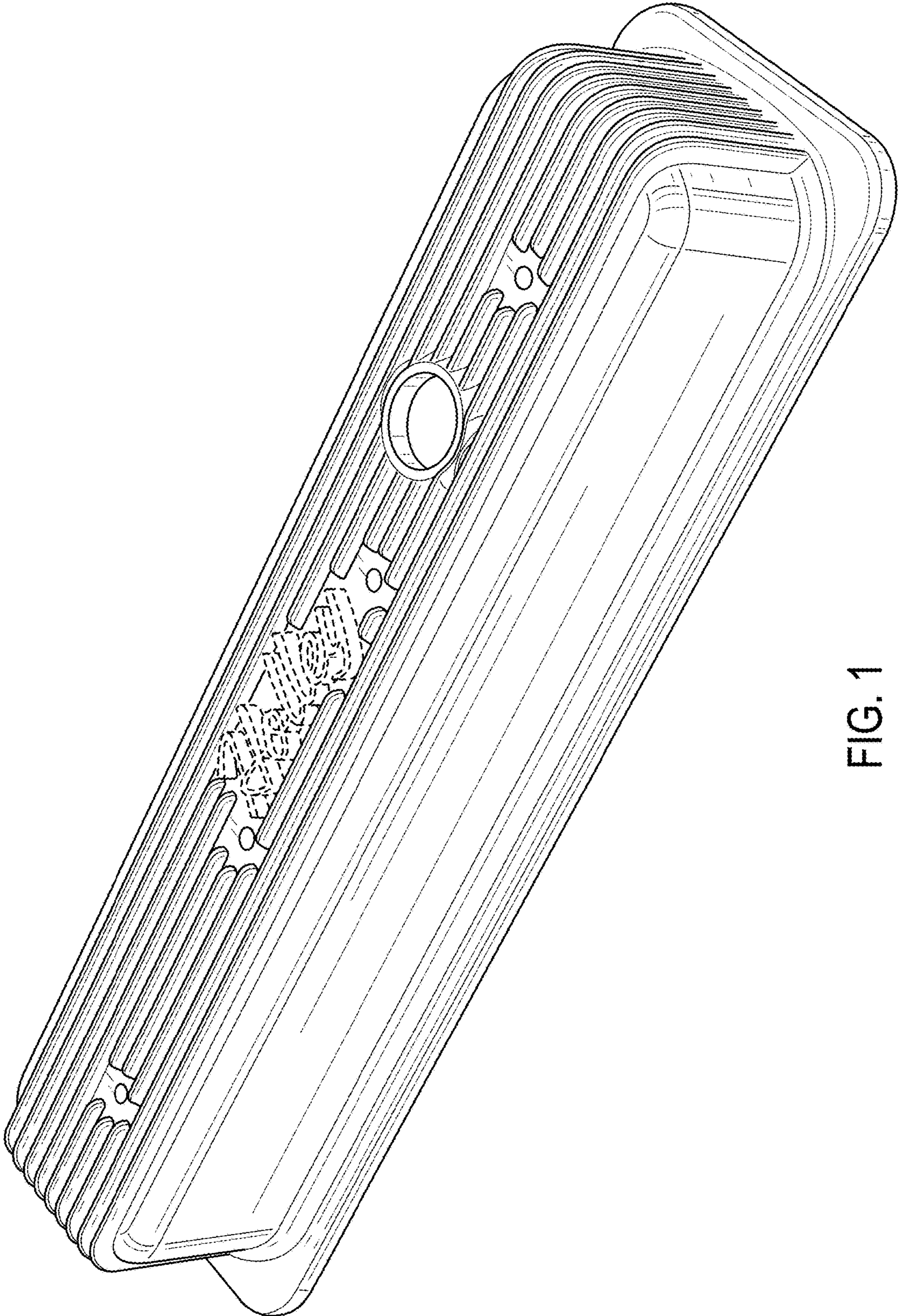


FIG. 1

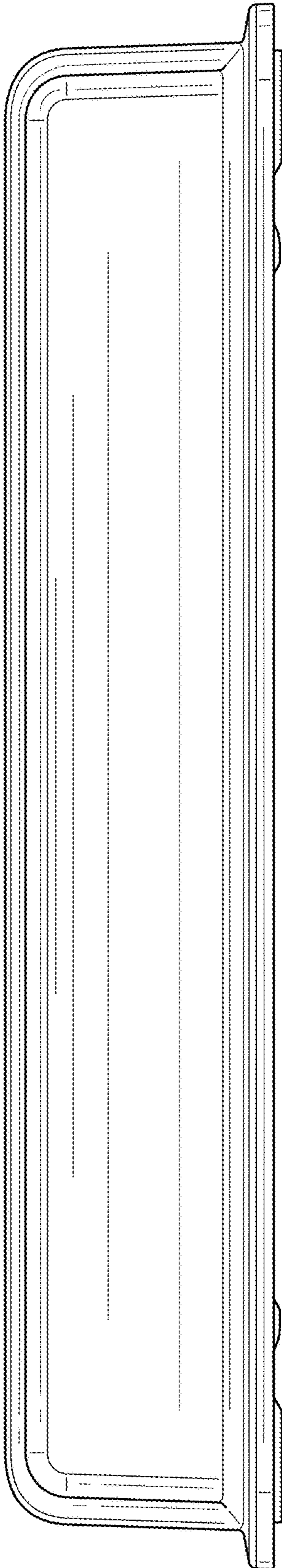


FIG. 2

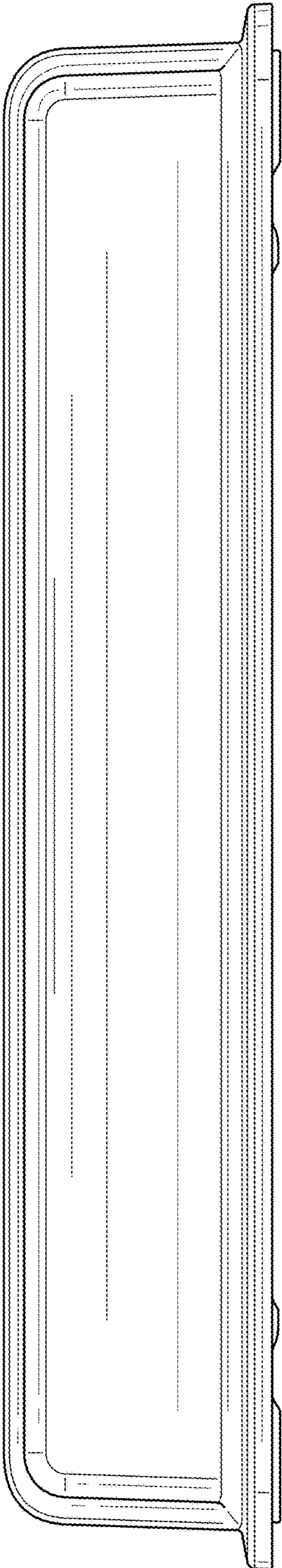


FIG. 3

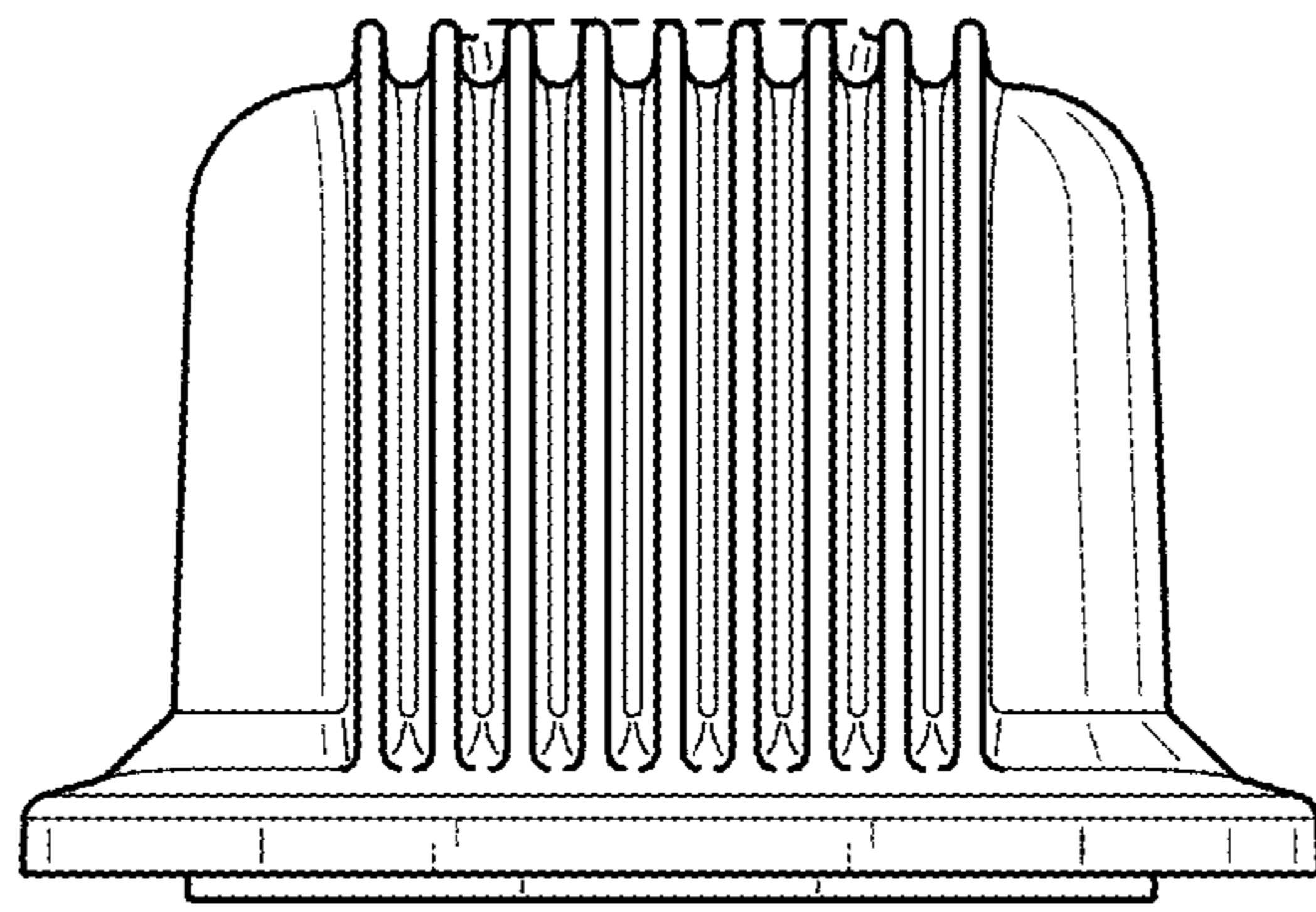


FIG. 4

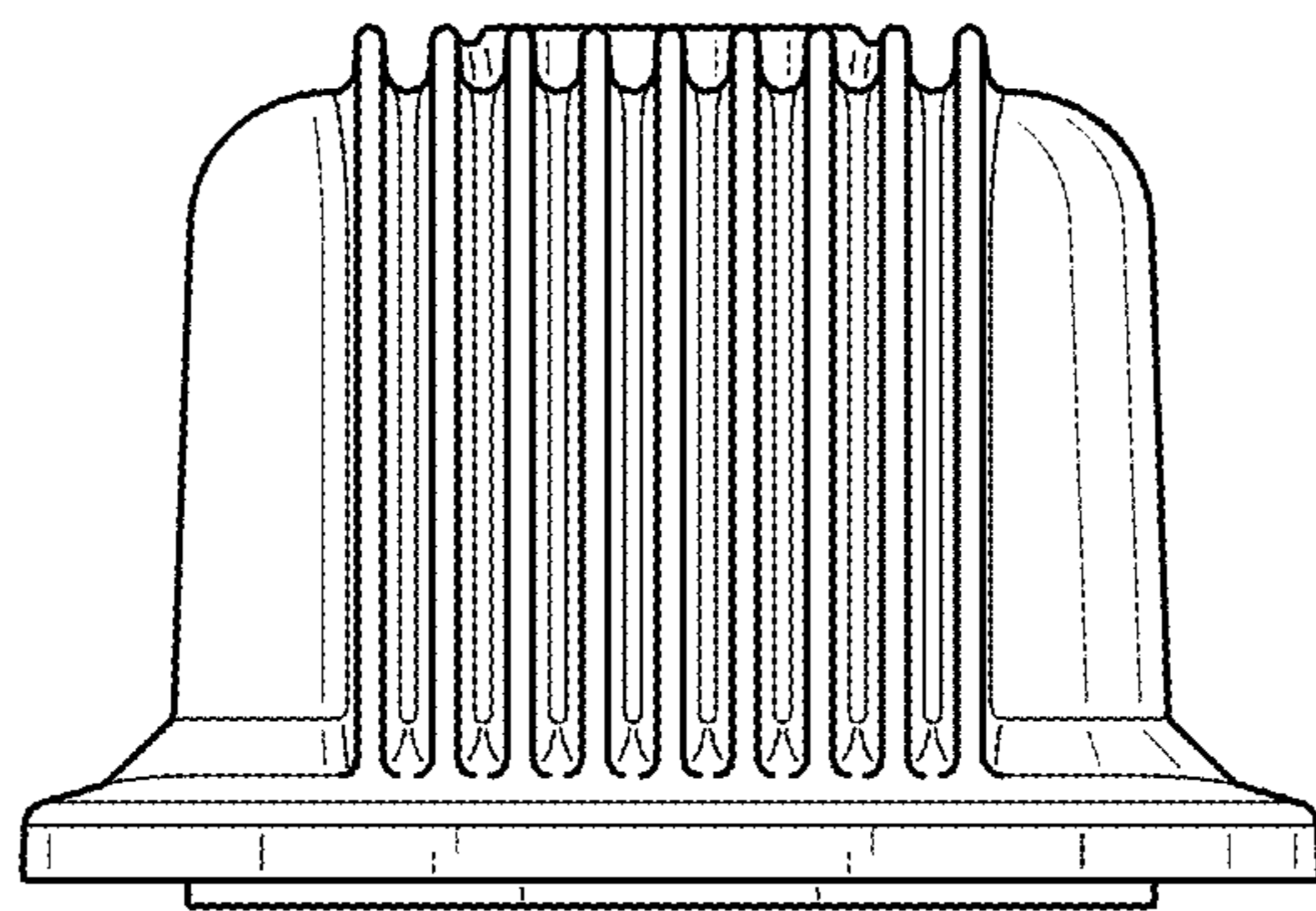


FIG. 5

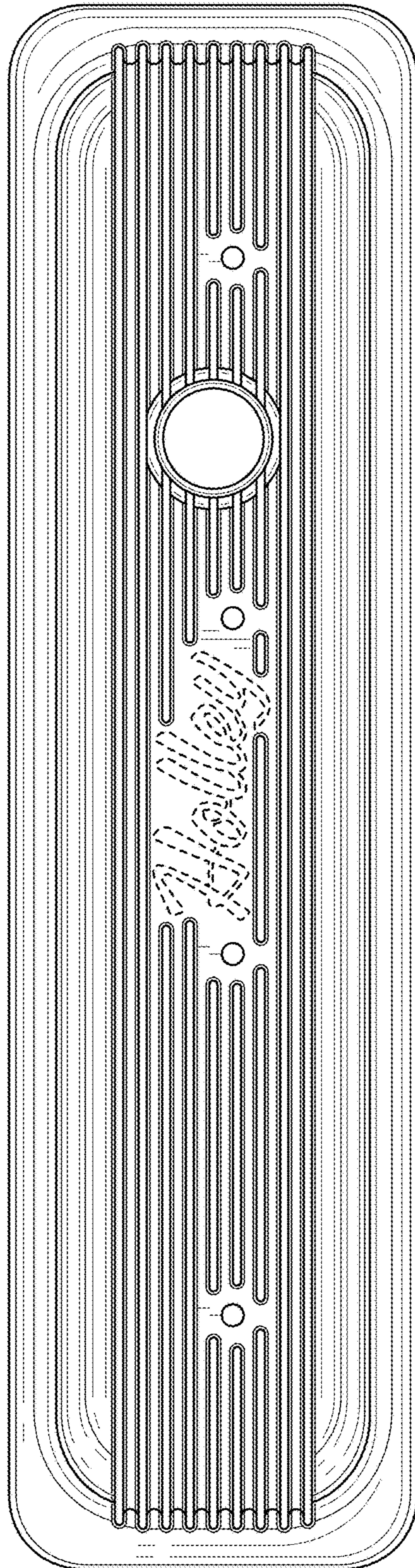


FIG. 6

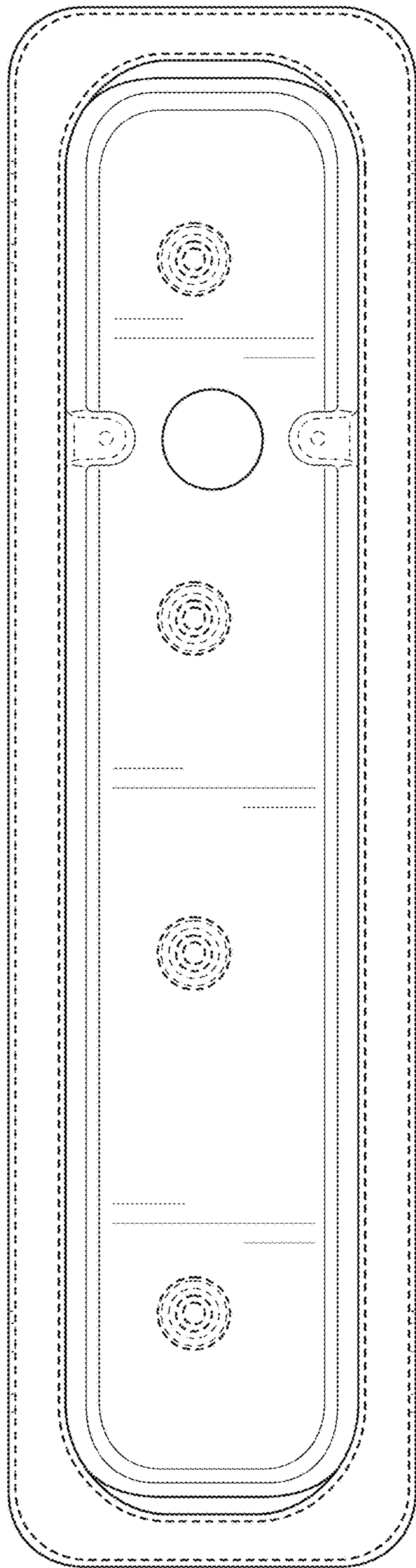


FIG. 7