



US00D812102S

(12) **United States Design Patent** (10) **Patent No.:** **US D812,102 S**
Tomlinson et al. (45) **Date of Patent:** **** Mar. 6, 2018**

(54) **ENGINE VALLEY COVER**

4,261,310 A 4/1981 Laws, Jr.
D272,430 S * 1/1984 Minichillo D12/203
4,492,189 A 1/1985 Ogawa
4,538,560 A 9/1985 Alden
4,593,659 A 6/1986 Wells
D305,767 S 1/1990 Tauschke
5,095,860 A 3/1992 Newell

(71) Applicant: **Holley Performance Products Inc.**,
Bowling Green, KY (US)

(72) Inventors: **Thomas W. Tomlinson**, Bowling
Green, KY (US); **Robert M. Haynes**,
Bowling Green, KY (US)

(73) Assignee: **Holley Performance Products, Inc.**,
Bowling Green, KY (US)

(**) Term: **15 Years**

(21) Appl. No.: **29/583,828**

(22) Filed: **Nov. 9, 2016**

(51) **LOC (11) Cl.** **15-01**

(52) **U.S. Cl.**
USPC **D15/5**

(58) **Field of Classification Search**
USPC D15/1-5
CPC ... F01P 5/02; F01P 1/02; F02B 75/007; F02B
77/13; F02B 75/22; F02B 77/02; F02B
75/221; F02B 75/227; F02F 7/0046; F02F
7/0026; F02F 7/0021; F02F 7/0068; F02F
7/006; F02F 2007/0097; F02F 7/0024;
F02F 7/0039; F02F 7/0065; F02F
2007/0075; F02F 2007/0078; F02F
7/0095; F01M 13/023

See application file for complete search history.

(56) **References Cited**

U.S. PATENT DOCUMENTS

2,877,756 A 3/1959 McCauley
3,256,871 A 6/1966 Bintz
4,165,720 A * 8/1979 Barcak F01P 3/12
123/41.31
D252,878 S 9/1979 Bellino
D256,618 S * 8/1980 Klein D12/203
D257,442 S * 10/1980 Nakai D18/59
4,257,369 A 3/1981 Abe

FOREIGN PATENT DOCUMENTS

AU 201712298 5/2017
AU 201712300 5/2017

(Continued)

OTHER PUBLICATIONS

Transmittal Letter of Related Cases.

(Continued)

Primary Examiner — T. Chase Nelson

Assistant Examiner — Ania Aman

(74) *Attorney, Agent, or Firm* — Middleton Reutlinger

(57) **CLAIM**

We claim the ornamental design for an engine valley cover,
as shown and described.

DESCRIPTION

FIG. 1 is a front perspective view of an engine valley cover
showing our new design.

FIG. 2 is a front elevational view thereof;

FIG. 3 is a back elevational view thereof;

FIG. 4 is a left side elevational view thereof;

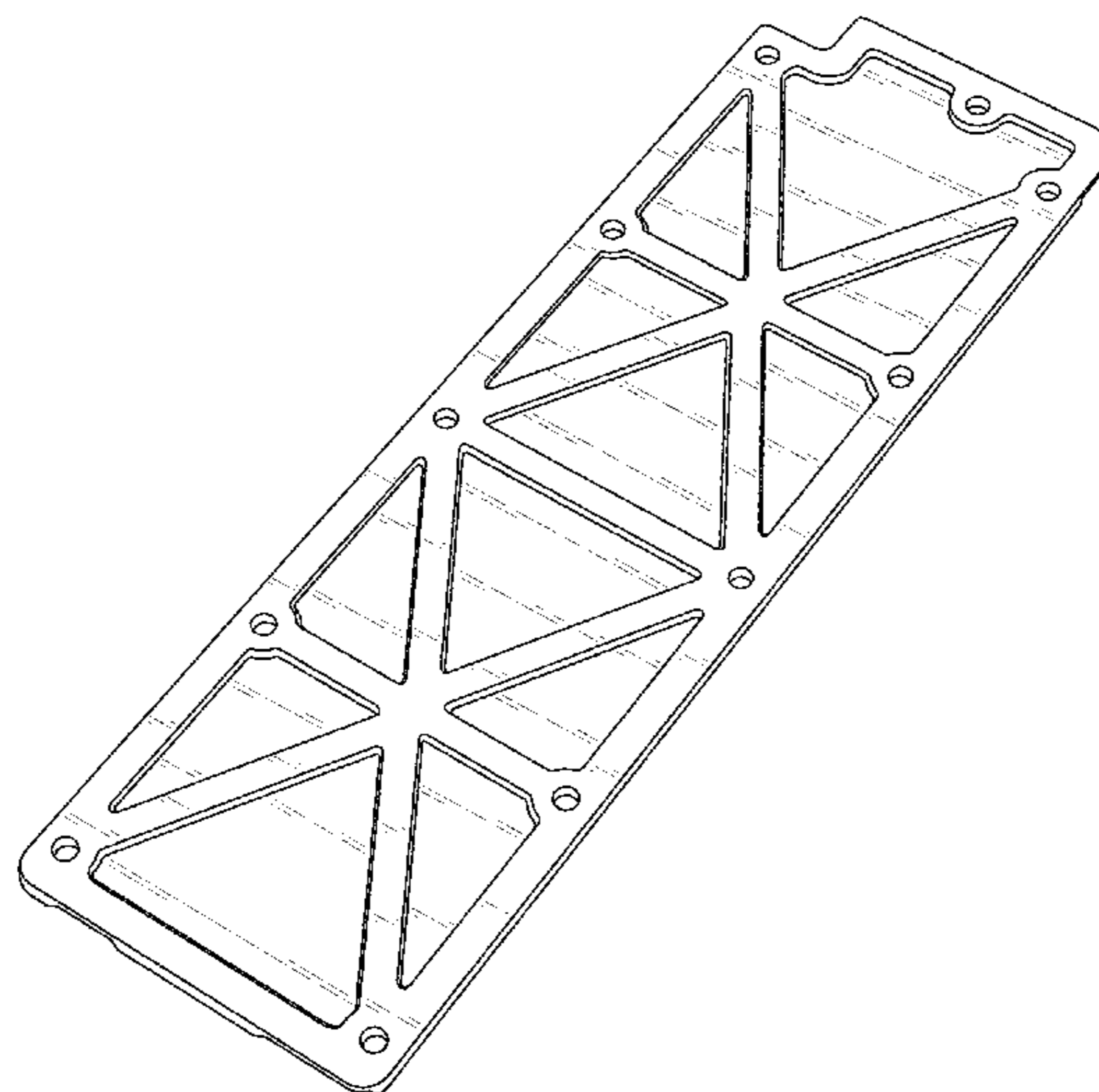
FIG. 5 is a right side elevational view thereof;

FIG. 6 is a top plan view thereof; and,

FIG. 7 is a bottom plan view thereof.

The broken lines in the drawings illustrate environmental
structure on the article and form no part of the claimed
design.

1 Claim, 5 Drawing Sheets



(56)

References Cited

U.S. PATENT DOCUMENTS

5,365,901 A 11/1994 Kiczek
 5,390,648 A * 2/1995 Yanase F02B 77/00
 123/634
 5,513,603 A 5/1996 Ang
 5,513,604 A 5/1996 Clement
 5,687,975 A 11/1997 Inciong
 5,937,804 A * 8/1999 Kaminski F02B 75/22
 123/195 C
 D418,844 S 1/2000 Occhiuto
 6,494,193 B2 * 12/2002 Weingaertner F02P 3/02
 123/143 C
 6,591,796 B1 * 7/2003 Scott F01L 13/0005
 123/572
 D503,724 S 4/2005 Grant
 D512,438 S * 12/2005 Matsunami D15/5
 7,137,378 B1 11/2006 Jaeger
 D543,998 S 6/2007 Platt
 7,343,890 B1 3/2008 Platt
 D574,853 S 8/2008 Harbert
 D580,954 S 11/2008 Platt
 7,765,971 B1 8/2010 Overacker
 8,056,522 B1 11/2011 Carter
 D657,798 S 4/2012 Platt
 8,424,503 B1 4/2013 Harbert
 D700,288 S 2/2014 Santos
 D727,362 S 4/2015 Platt
 D735,759 S 4/2015 Chan
 D775,234 S * 12/2016 Okuyama D15/5
 D777,791 S * 1/2017 Okuyama D15/1
 D785,674 S * 5/2017 Takahata D15/1
 D788,824 S * 6/2017 Choi D15/5
 2002/0112684 A1 8/2002 Jones
 2005/0132997 A1 6/2005 Vargas
 2007/0169734 A1 7/2007 Harbert
 2007/0277724 A1 12/2007 Sammons
 2008/0001040 A1 1/2008 Franks
 2008/0121199 A1 5/2008 Harbert
 2009/0241879 A1 10/2009 Harbert
 2010/0043740 A1 * 2/2010 Turner, Jr. F01L 1/20
 123/196 AB
 2012/0079997 A1 * 4/2012 Iwanicki F01P 5/10
 123/41.44
 2014/0369863 A1 * 12/2014 Hibino F02B 37/013
 417/243

2016/0115918 A1 * 4/2016 Kulkarni F02M 35/10321
 123/590
 2016/0281600 A1 * 9/2016 Nakanishi F02B 77/02
 2017/0022931 A1 * 1/2017 Webb F02F 7/0068
 2017/0130668 A1 * 5/2017 Takahata B60R 16/0215
 2017/0167353 A1 * 6/2017 Pitcel F01P 1/02
 2017/0175817 A1 * 6/2017 Ejakov F02F 7/0053

FOREIGN PATENT DOCUMENTS

AU 201712302 5/2017
 AU 201712303 5/2017
 AU 201712306 5/2017
 AU 201712313 5/2017
 AU 201712314 5/2017
 AU 201712315 5/2017
 AU 201712316 5/2017
 AU 201712317 5/2017
 AU 201712318 5/2017
 AU 201712321 5/2017
 AU 201712322 5/2017
 AU 201712323 5/2017

OTHER PUBLICATIONS

Design U.S. Appl. No. 29/583,807 entitled "Valve Cover" filed Nov. 9, 2016.
 Design U.S. Appl. No. 29/583,814 entitled "Engine Valley Cover" filed Nov. 9, 2016.
 Design U.S. Appl. No. 29/583,820 entitled "Engine Valley Cover" filed Nov. 9, 2016.
 Design U.S. Appl. No. 29/583,824 entitled "Engine Valley Cover" filed Nov. 9, 2016.
 Design U.S. Appl. No. 29/583,835 entitled "Set of Engine Valve Covers" filed Nov. 9, 2016.
 Design U.S. Appl. No. 29/583,843 entitled "Set of Engine Valve Covers" filed Nov. 9, 2016.
 Design U.S. Appl. No. 29/583,851 entitled "Set of Engine Valve Covers" filed Nov. 9, 2016.
 Design U.S. Appl. No. 29/583,867 entitled "Valve Cover" filed Nov. 9, 2016.
 Design U.S. Appl. No. 29/583,874 entitled "Valve Cover" filed Nov. 9, 2016.
 Design U.S. Appl. No. 29/583,878 entitled "Valve Cover" filed Nov. 9, 2016.

* cited by examiner

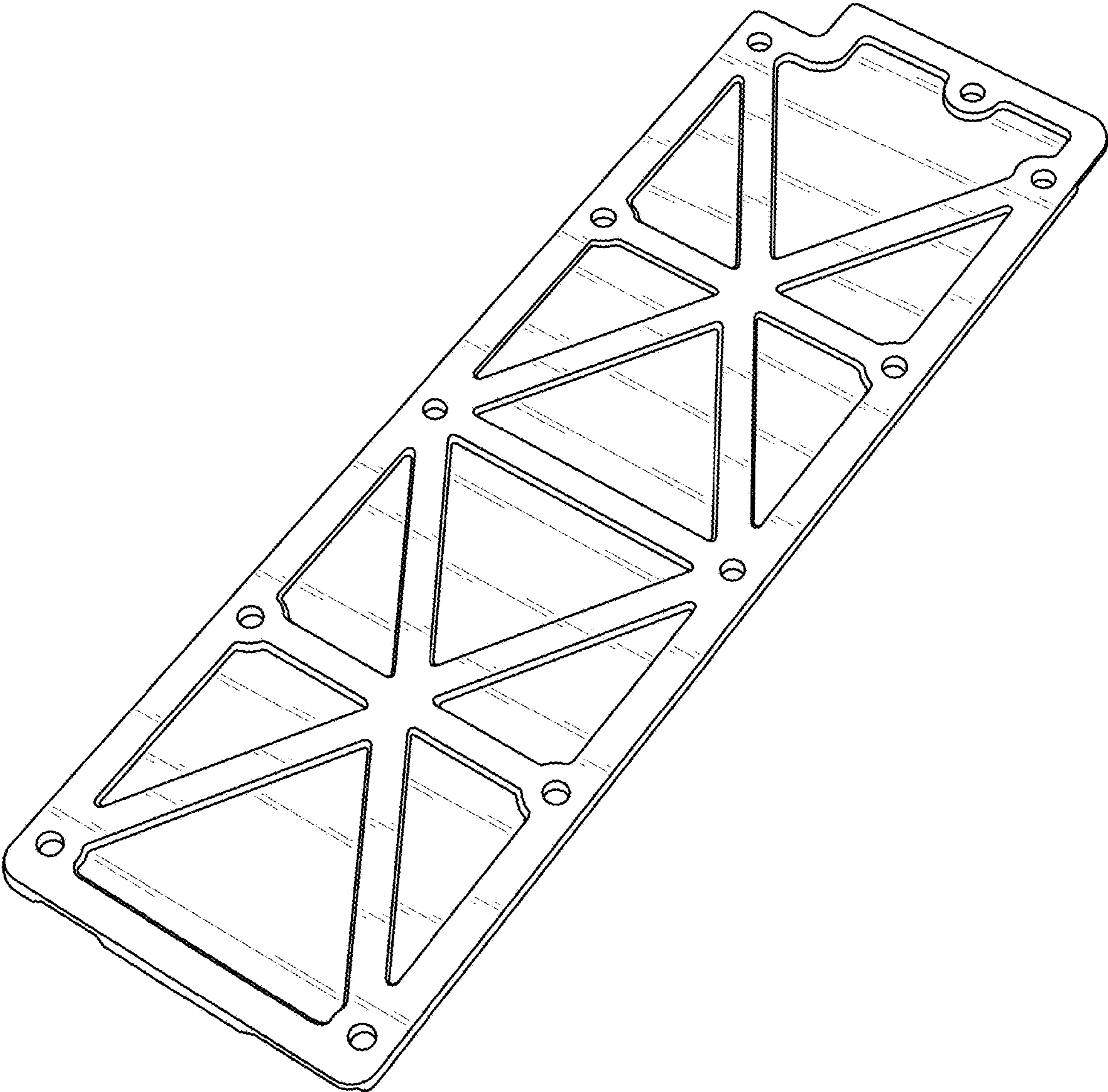


FIG. 1

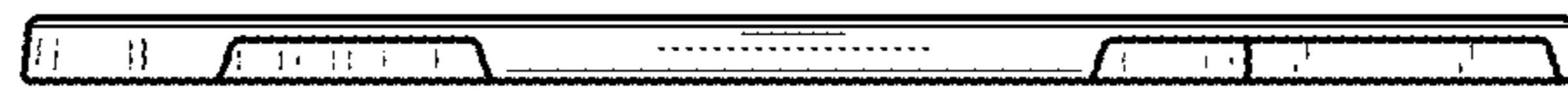


FIG. 2

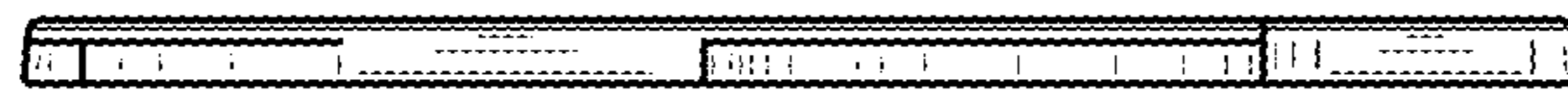


FIG. 3

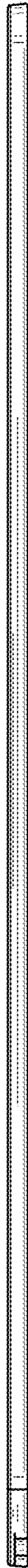


FIG. 4



FIG. 5

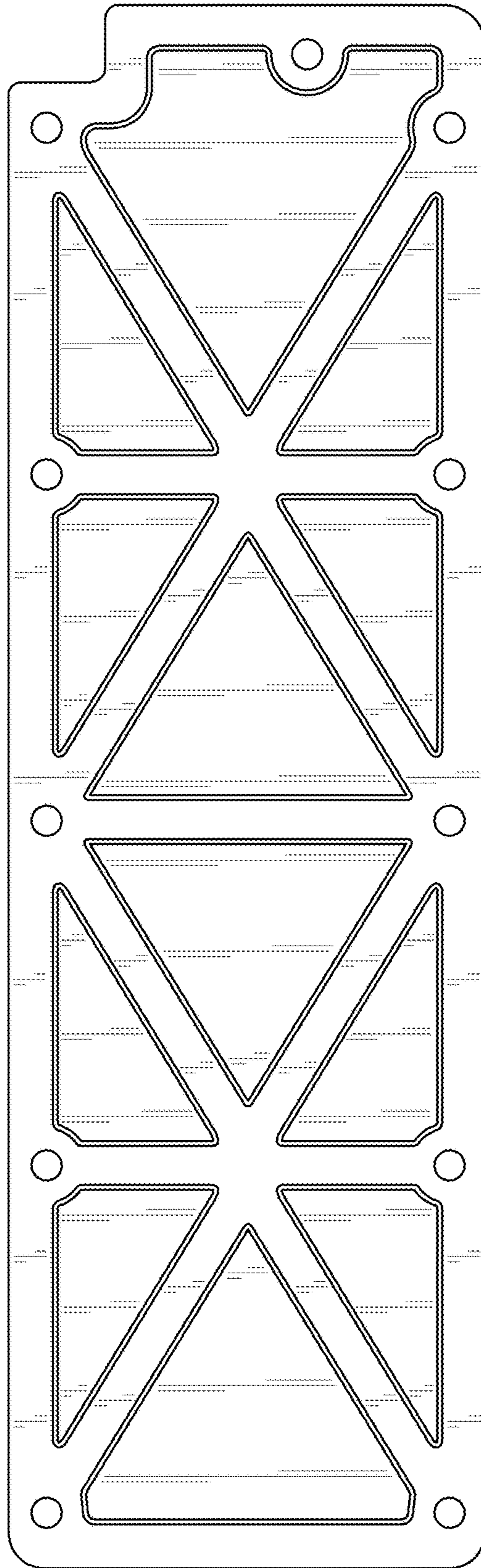


FIG. 6

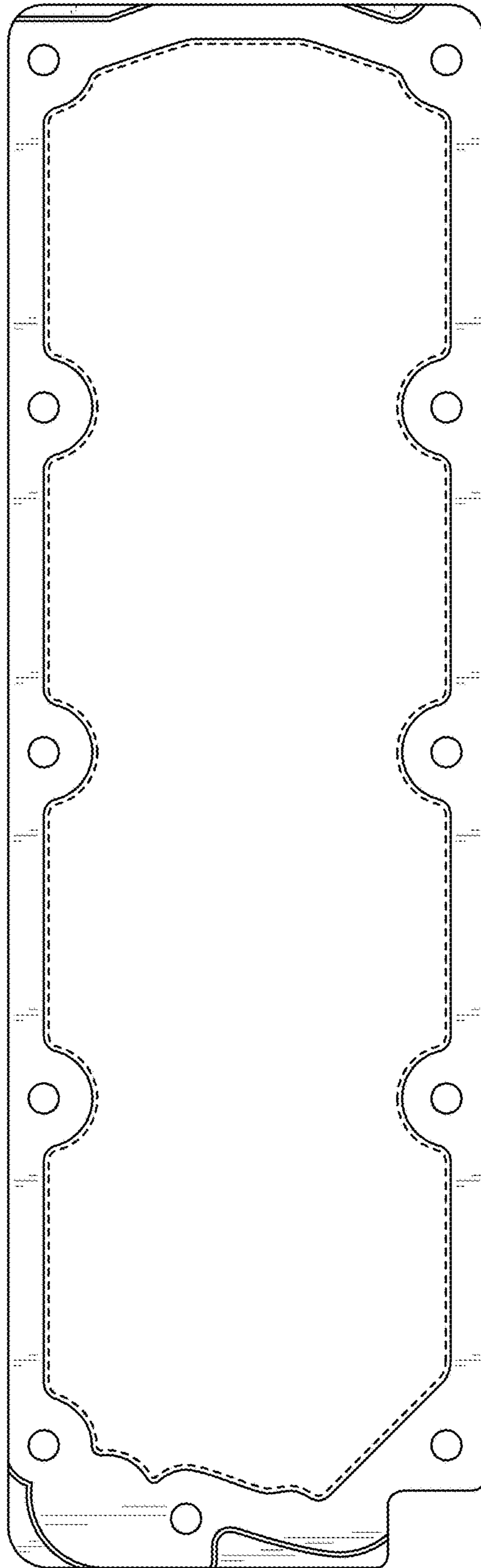


FIG. 7