



US00D812100S

(12) **United States Design Patent**
Litchfield

(10) **Patent No.:** **US D812,100 S**
(45) **Date of Patent:** **** Mar. 6, 2018**

(54) **EXHAUST MANIFOLD**
(71) Applicant: **Litchfield Imports Limited**, Deerhurst,
Gloucestershire (GB)
(72) Inventor: **Iain Litchfield**, Deerhurst (GB)
(73) Assignee: **Litchfield Imports Limited**, Deerhurst,
Gloucestershire (GB)

6,038,769 A * 3/2000 Bonny F01N 13/102
29/890.054
6,327,854 B1 * 12/2001 Bonny F01N 13/10
60/321
D700,556 S * 3/2014 Glaeser D12/194
D700,558 S * 3/2014 Glaeser D12/194
D700,559 S * 3/2014 Glaeser D12/194

(Continued)

(**) Term: **15 Years**
(21) Appl. No.: **29/538,528**

DE 102009037505 A1 5/2011
EP 0731258 A1 9/1996

(Continued)

(22) Filed: **Sep. 4, 2015**

Primary Examiner — T. Chase Nelson
Assistant Examiner — Ania Aman

(30) **Foreign Application Priority Data**

(74) *Attorney, Agent, or Firm* — Shalom Wertsberger;
Saltamar Innovations

Mar. 31, 2015 (EM) 00673244

(51) **LOC (11) Cl.** **15-01**

(52) **U.S. Cl.**
USPC **D15/5**

(58) **Field of Classification Search**

USPC D15/1-5; D23/23; D12/194
CPC F02M 35/104; F02M 35/10052; F02M
35/10078; F02M 35/112; F02M
35/10085; F02M 35/10091; F02M 31/00;
F02M 31/04; F02M 31/042; F02M
31/045; F02M 31/047; F02M 35/116;
F02M 31/093; F02M 35/10144; F02M
35/162; F02M 35/10039; F02M
35/10347; F02M 35/10334; F02M
35/10321; F02M 35/10098; F02M
35/10072; Y02T 10/146; F02B 37/16;
F23D 3/00; F23D 3/16

See application file for complete search history.

(56) **References Cited**

U.S. PATENT DOCUMENTS

D372,250 S * 7/1996 Otsuka D15/5
D376,602 S * 12/1996 Yamanaka D15/5

FOREIGN PATENT DOCUMENTS

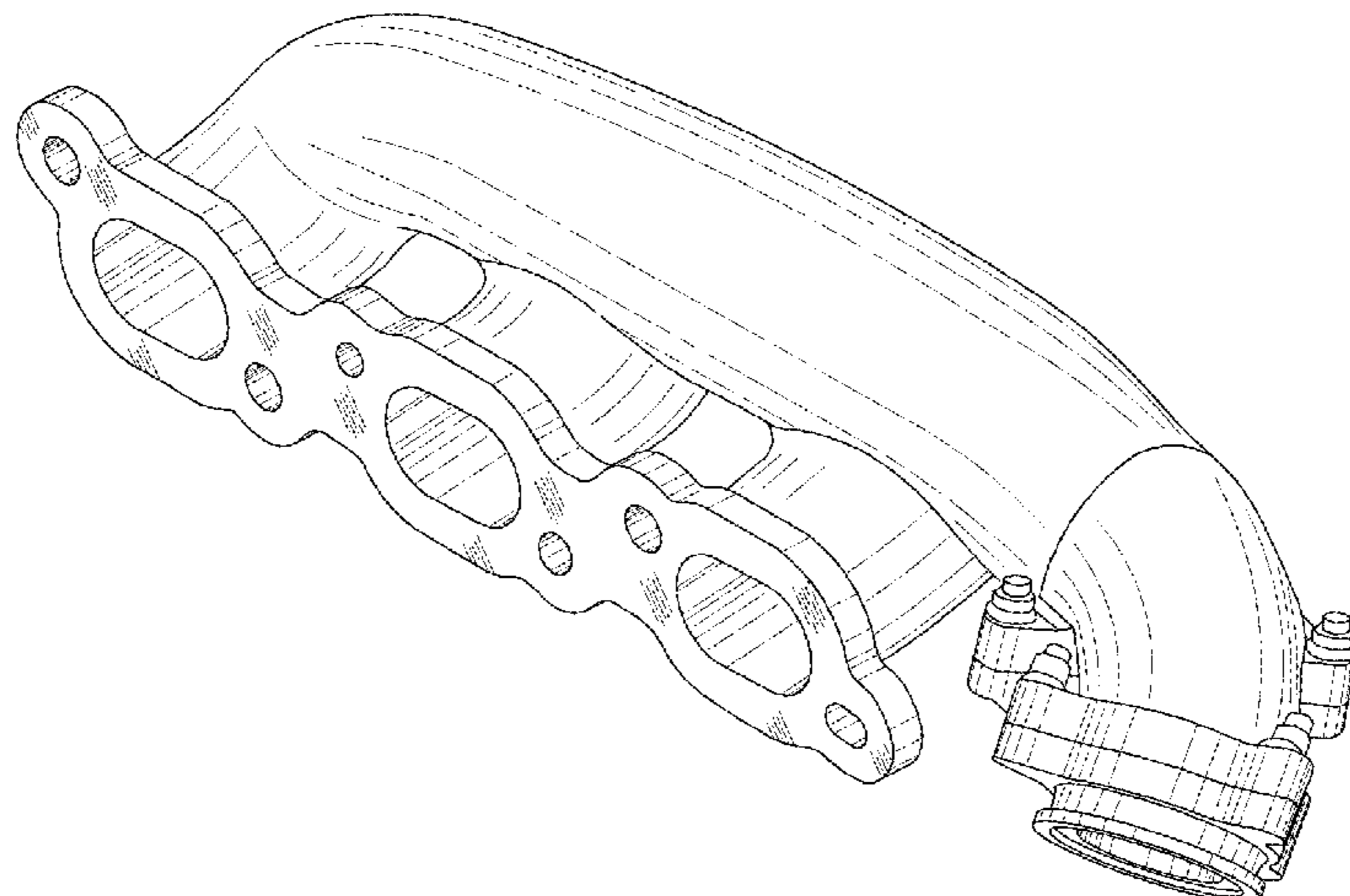
(57) **CLAIM**

I claim the ornamental design for an exhaust manifold, as shown and described.

DESCRIPTION

FIG. 1 depicts a perspective view of a left hand exhaust manifold in accordance with the invention.
FIG. 2 depicts a front view of a left hand exhaust manifold in accordance with the invention.
FIG. 3 depicts a right side view of a left hand exhaust manifold in accordance with the invention.
FIG. 4 depicts a rear view of a left hand exhaust manifold in accordance with the invention.
FIG. 5 depicts a top view of a left hand exhaust manifold in accordance with the invention.
FIG. 6 depicts a left view of a left hand exhaust manifold in accordance with the invention; and,
FIG. 7 depicts a bottom view of a left hand exhaust manifold in accordance with the invention.
The broken lines shown in the drawings are for the purpose of illustrating portions of the article that form no part of the claimed design.

1 Claim, 7 Drawing Sheets



(56)

References Cited

U.S. PATENT DOCUMENTS

D700,560 S * 3/2014 Glaeser D12/194
D700,561 S * 3/2014 Glaeser D12/194
D700,562 S * 3/2014 Glaeser D12/194
D700,563 S * 3/2014 Glaeser D12/194
D700,564 S * 3/2014 Glaeser D12/194
D765,142 S * 8/2016 Hunter D15/5
2006/0236687 A1 * 10/2006 Ruehle F01N 13/10
60/323
2010/0018192 A1 1/2010 Suschik

FOREIGN PATENT DOCUMENTS

FR 2727466 5/1996
JP 2004052595 A 2/2004
WO WO02073010 A2 9/2002

* cited by examiner

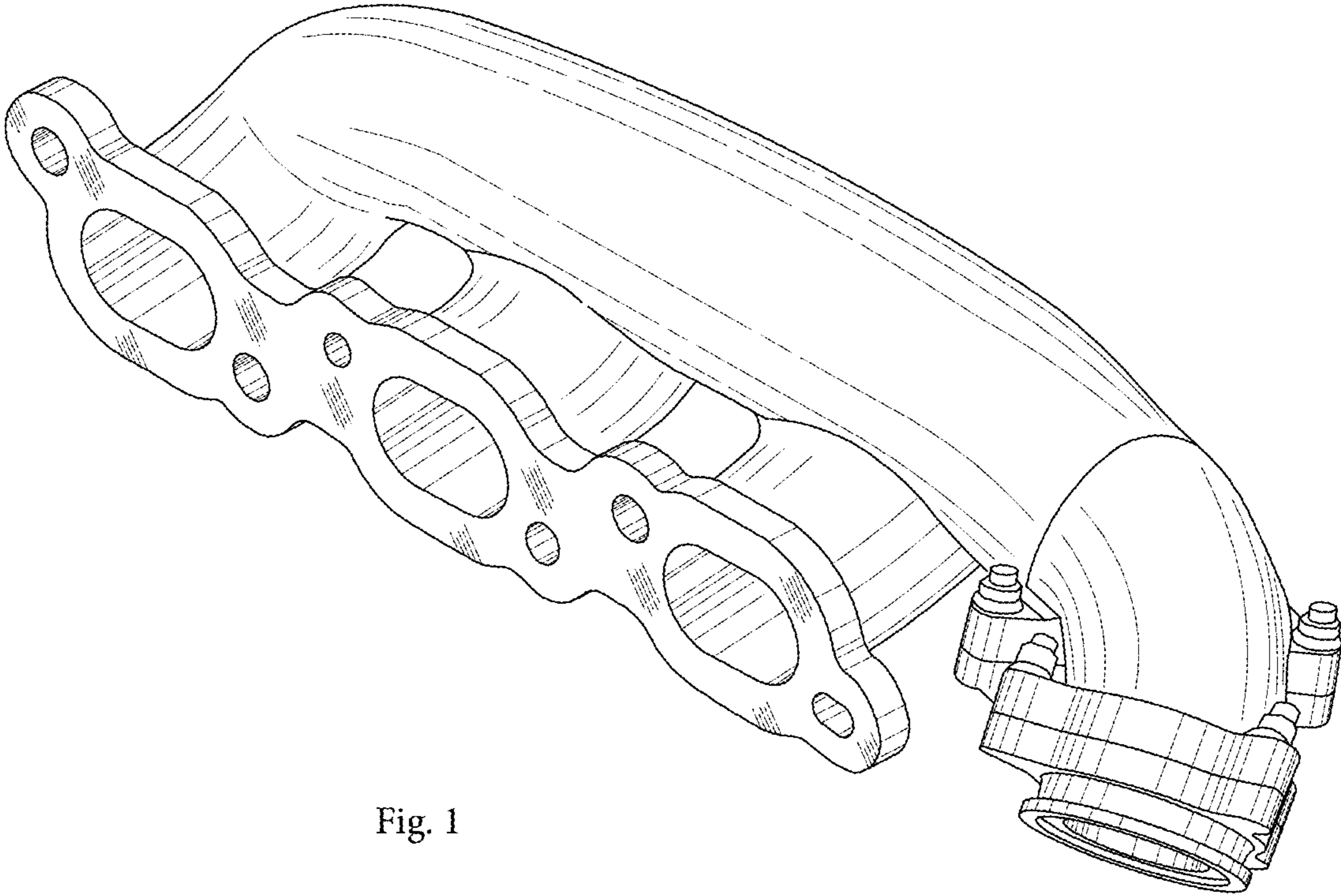


Fig. 1

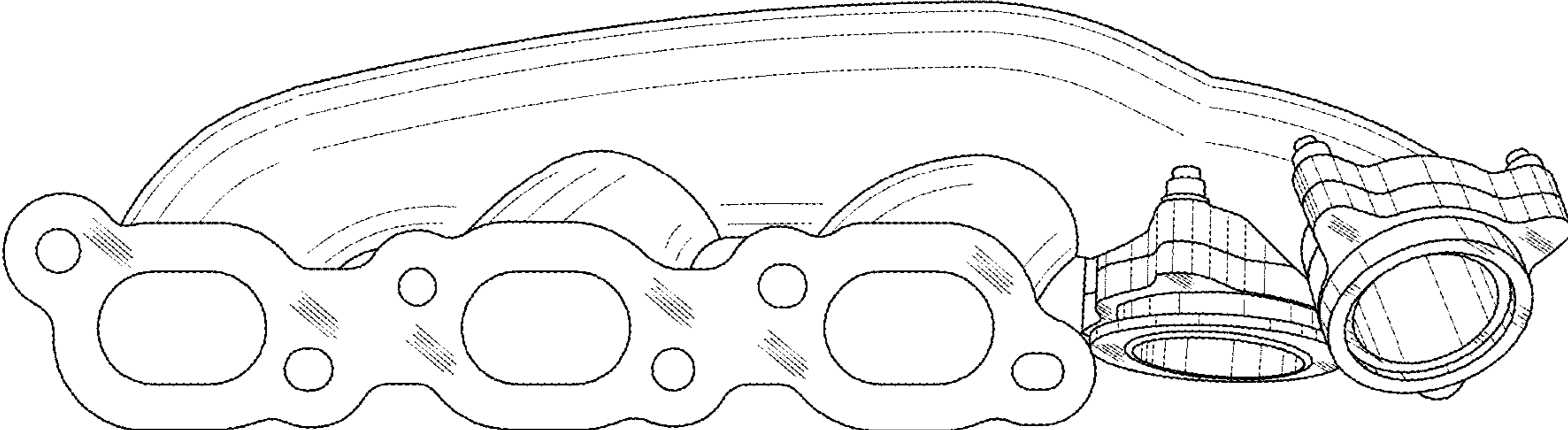


Fig. 2

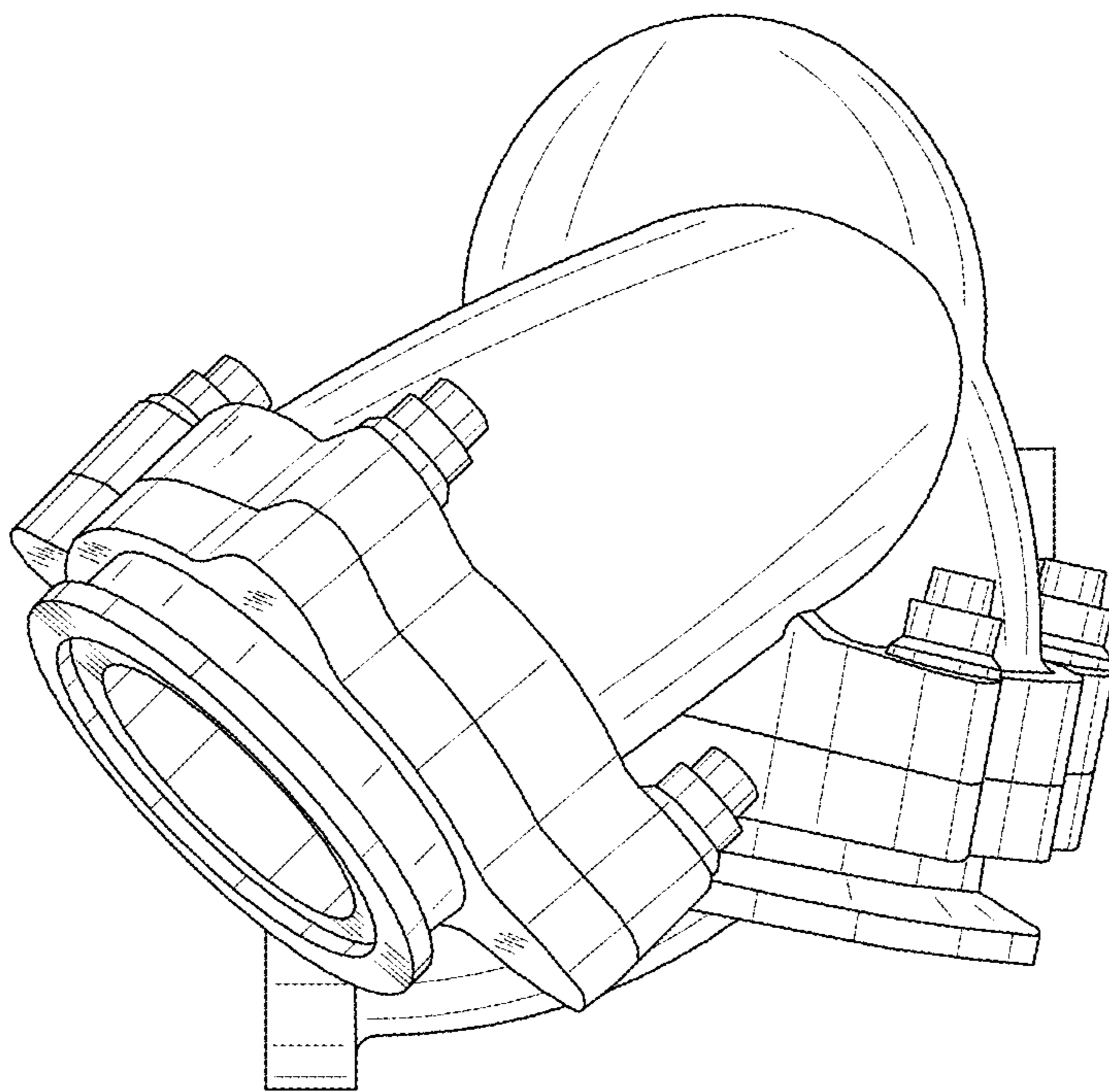


Fig 3

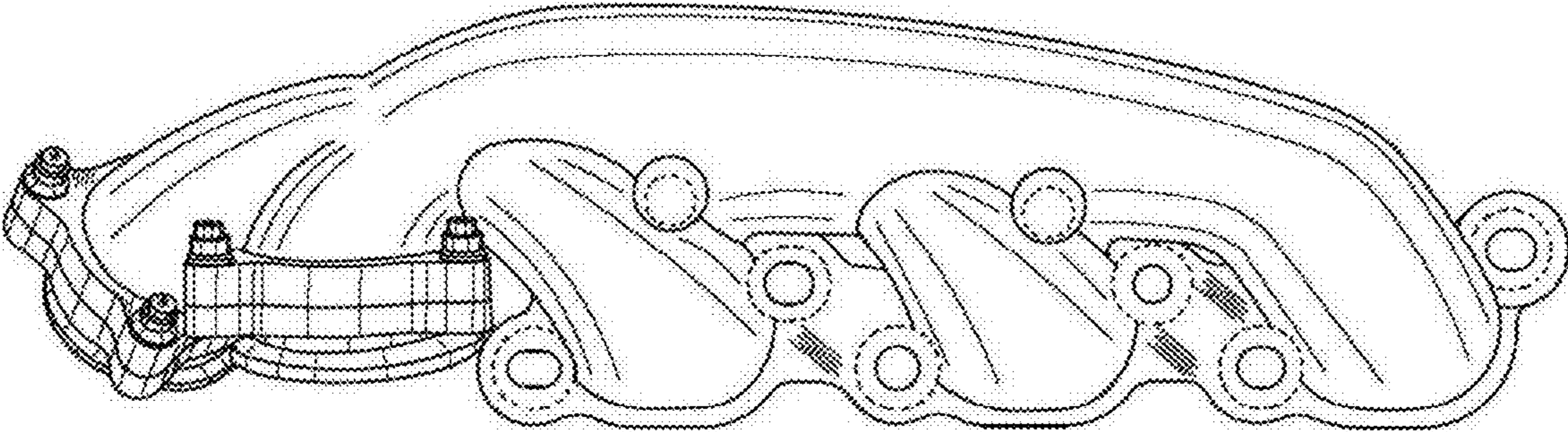


Fig. 4

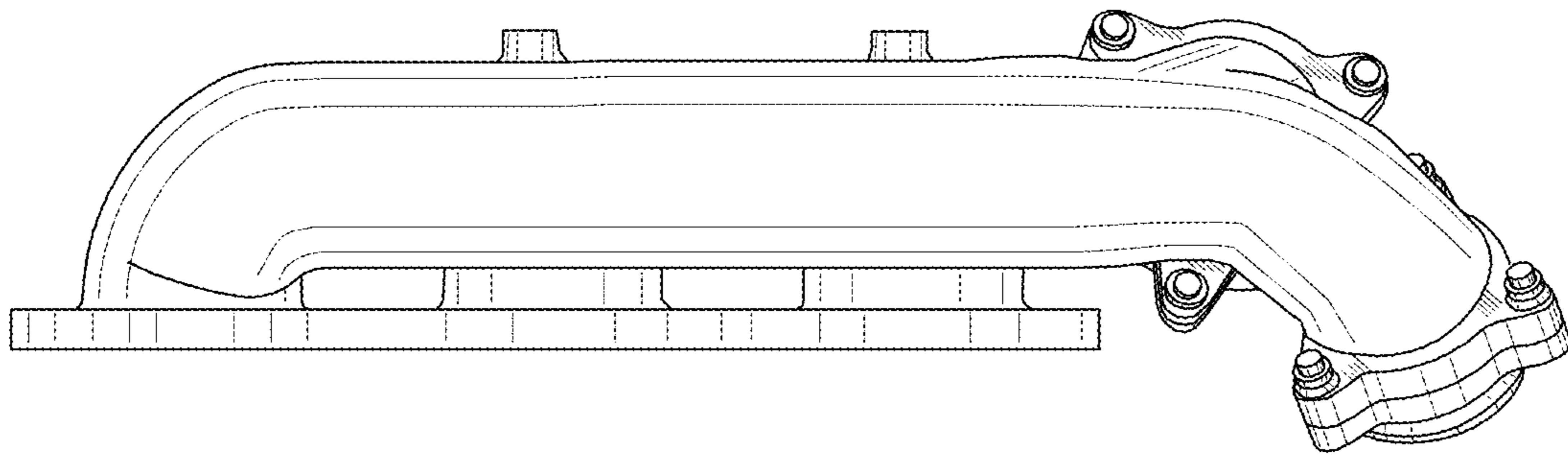


Fig. 5

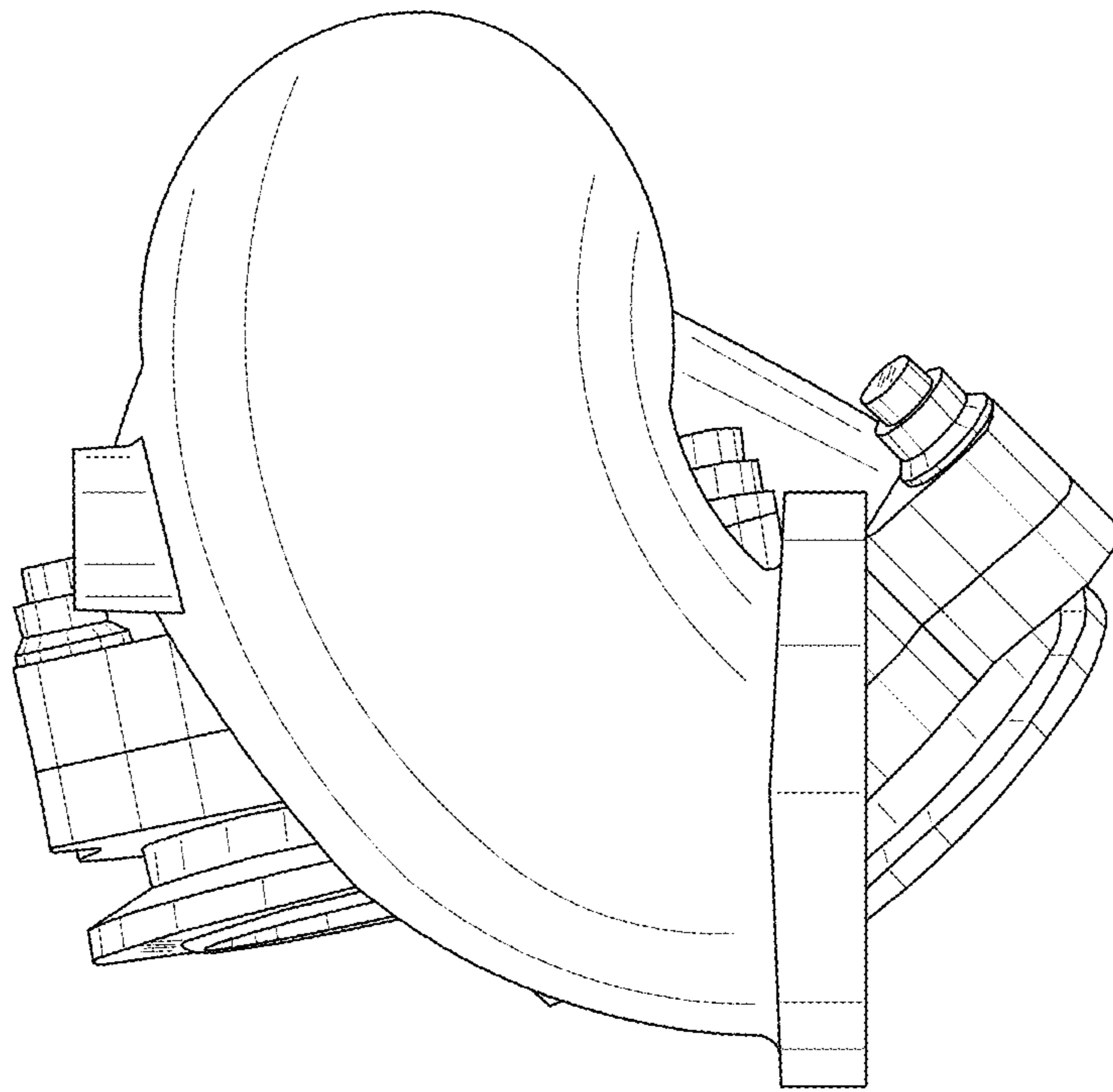


Fig. 6

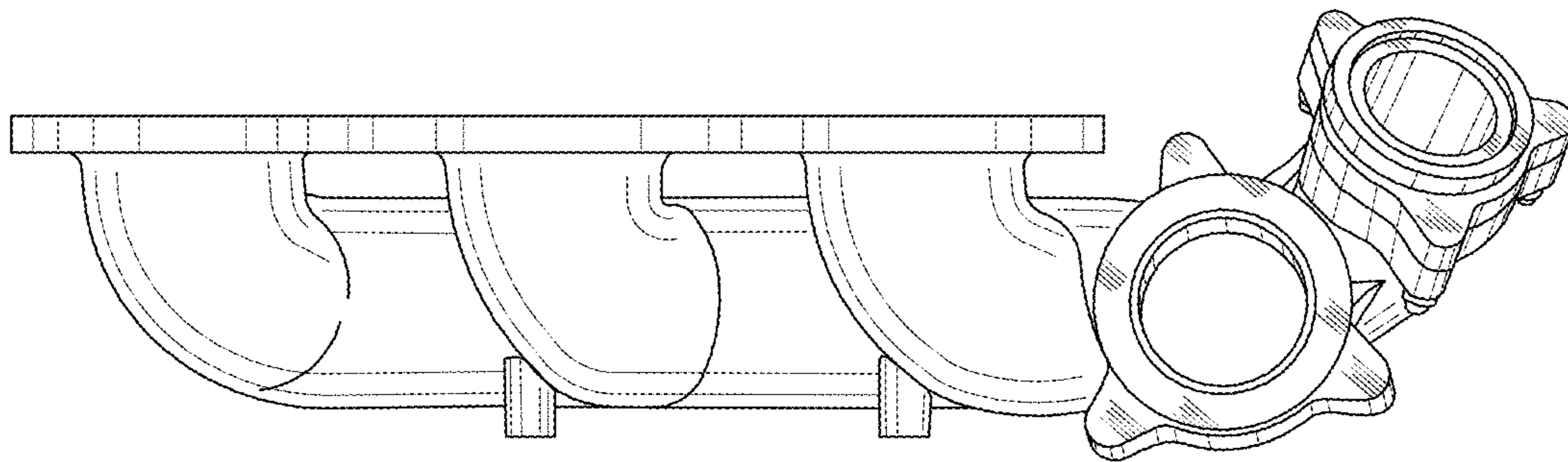


Fig. 7