



US00D812099S

(12) **United States Design Patent**
Johnson

(10) **Patent No.:** **US D812,099 S**
(45) **Date of Patent:** **** Mar. 6, 2018**

(54) **PLATE FOR A TROLLING MOTOR**

(71) Applicant: **Gordon A. Johnson**, Evans, GA (US)

(72) Inventor: **Gordon A. Johnson**, Evans, GA (US)

(**) Term: **15 Years**

(21) Appl. No.: **29/593,822**

(22) Filed: **Feb. 13, 2017**

(51) **LOC (11) Cl.** **15-01**

(52) **U.S. Cl.**
USPC **D15/4; D13/122**

(58) **Field of Classification Search**
USPC D13/112, 118, 122, 184, 199; D15/4, 5;
D12/317; D8/349, 353, 354

CPC B63H 20/00; B63H 20/007; B63H 20/08;
B63H 20/10; B63H 20/12

See application file for complete search history.

(56) **References Cited**

U.S. PATENT DOCUMENTS

2,475,889	A	7/1949	Hafele	
2,662,988	A *	12/1953	McKim	H02K 5/00 248/346.03
D196,797	S *	11/1963	Sleeter	D13/122
4,338,875	A	7/1982	Lisowski	
4,819,905	A	4/1989	McCain	
D308,850	S *	6/1990	McGuire	D12/317
5,137,249	A	8/1992	Royster	

D330,898	S *	11/1992	Capra	D12/317
6,053,471	A	4/2000	Brown	
D427,888	S *	7/2000	Hannon	D8/354
6,520,813	B1	2/2003	DeVito, Jr.	
7,004,804	B2	2/2006	Bernloehr et al.	
D635,092	S *	3/2011	Huggins	D13/122
D708,137	S *	7/2014	McGee	D13/122
D745,568	S *	12/2015	Lentz	D15/5
2009/0227158	A1	9/2009	Bernloehr et al.	

* cited by examiner

Primary Examiner — Derrick Holland

(74) *Attorney, Agent, or Firm* — Robert C Montgomery;
Montgomery Patent & Design, LP.

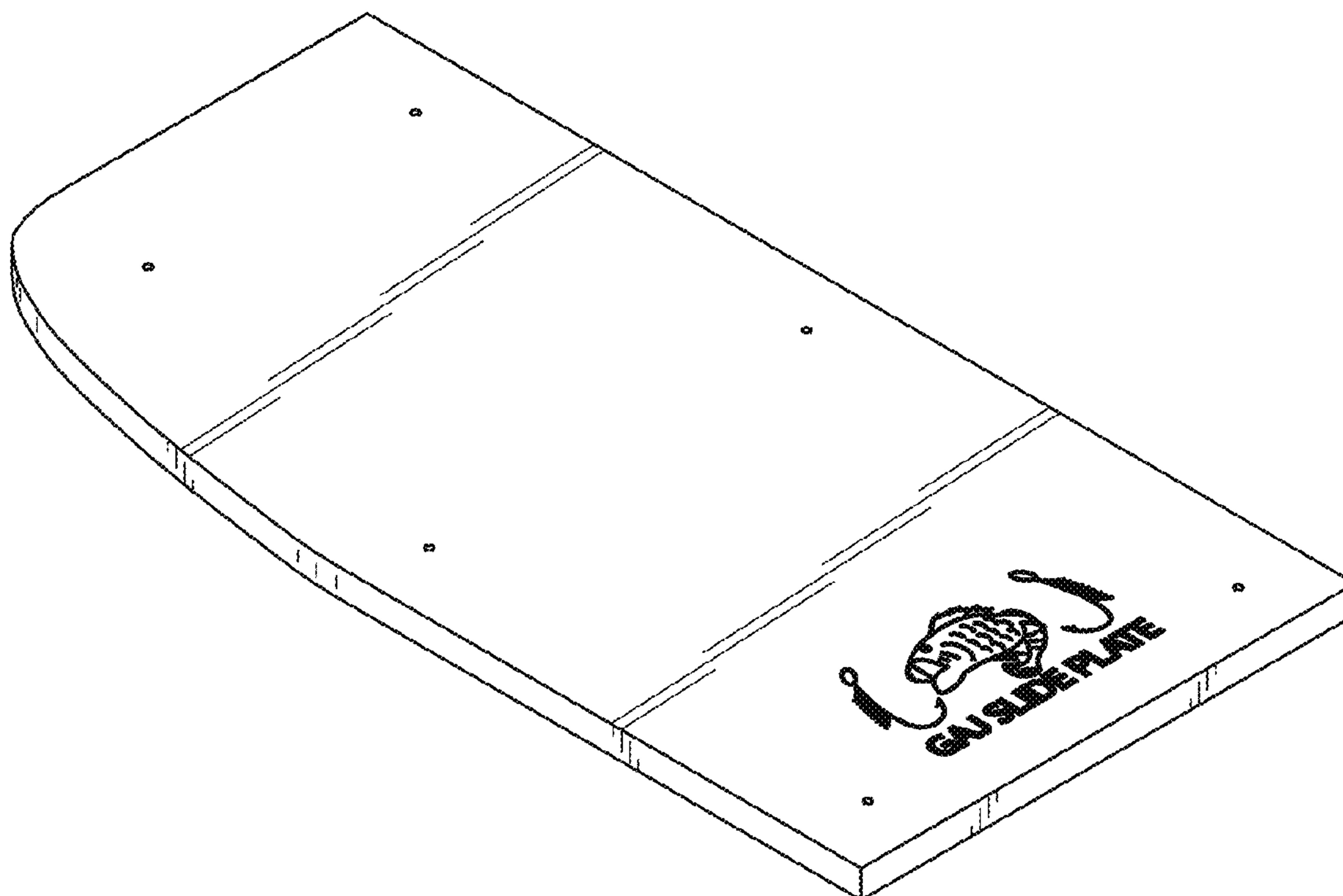
(57) **CLAIM**

The ornamental design for a plate for a trolling motor, as shown and described.

DESCRIPTION

FIG. 1 is a perspective top right view of a plate for a trolling motor, showing my new design;
FIG. 2 is a front elevation view thereof;
FIG. 3 is a rear elevation view thereof;
FIG. 4 is a right elevation view thereof;
FIG. 5 is a left elevation view thereof;
FIG. 6 is a top plan view thereof; and,
FIG. 7 is a bottom plan view thereof.

1 Claim, 7 Drawing Sheets



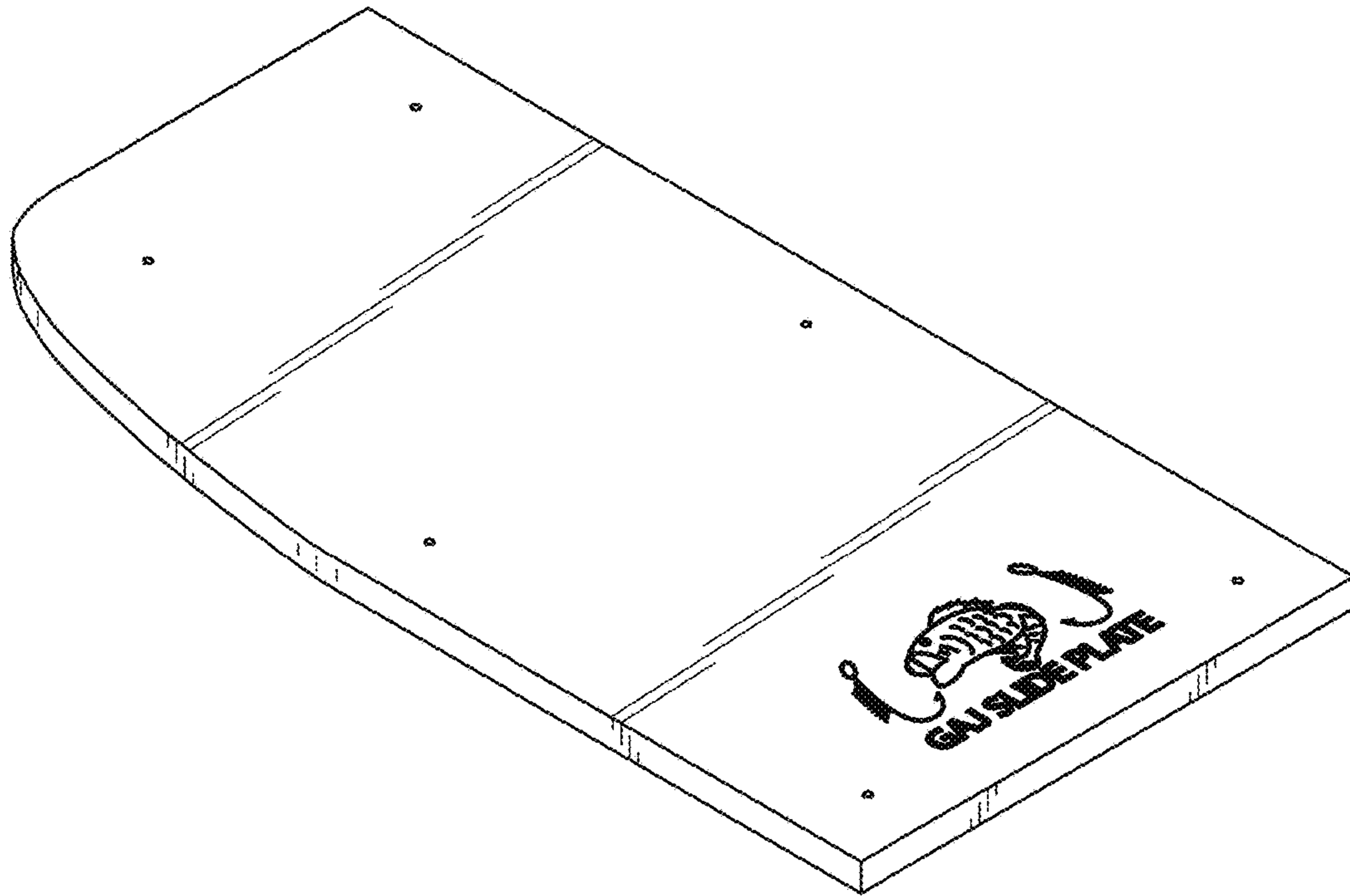


FIG. 1



FIG. 2



FIG. 3



FIG. 4



FIG. 5

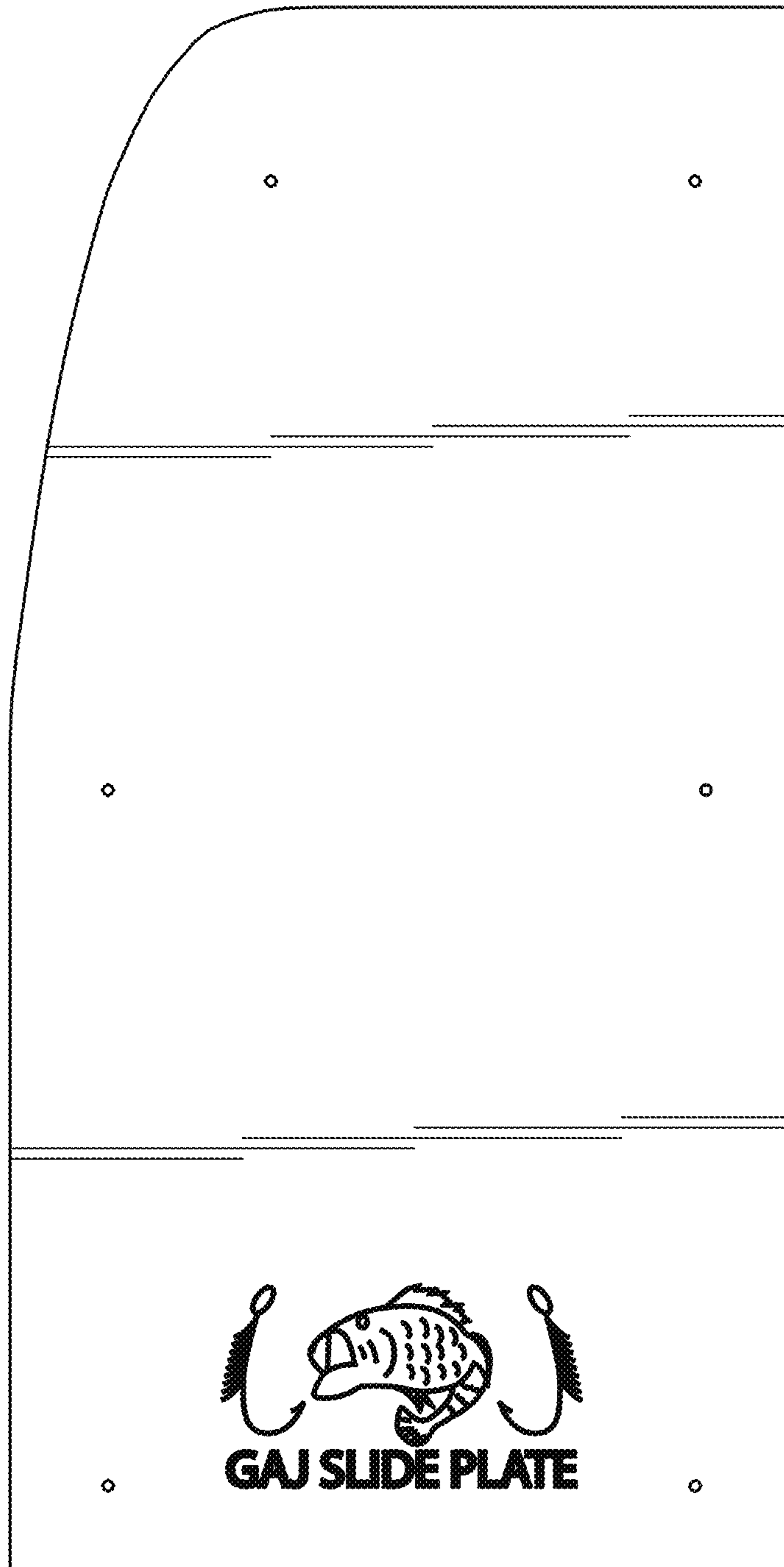


FIG. 6

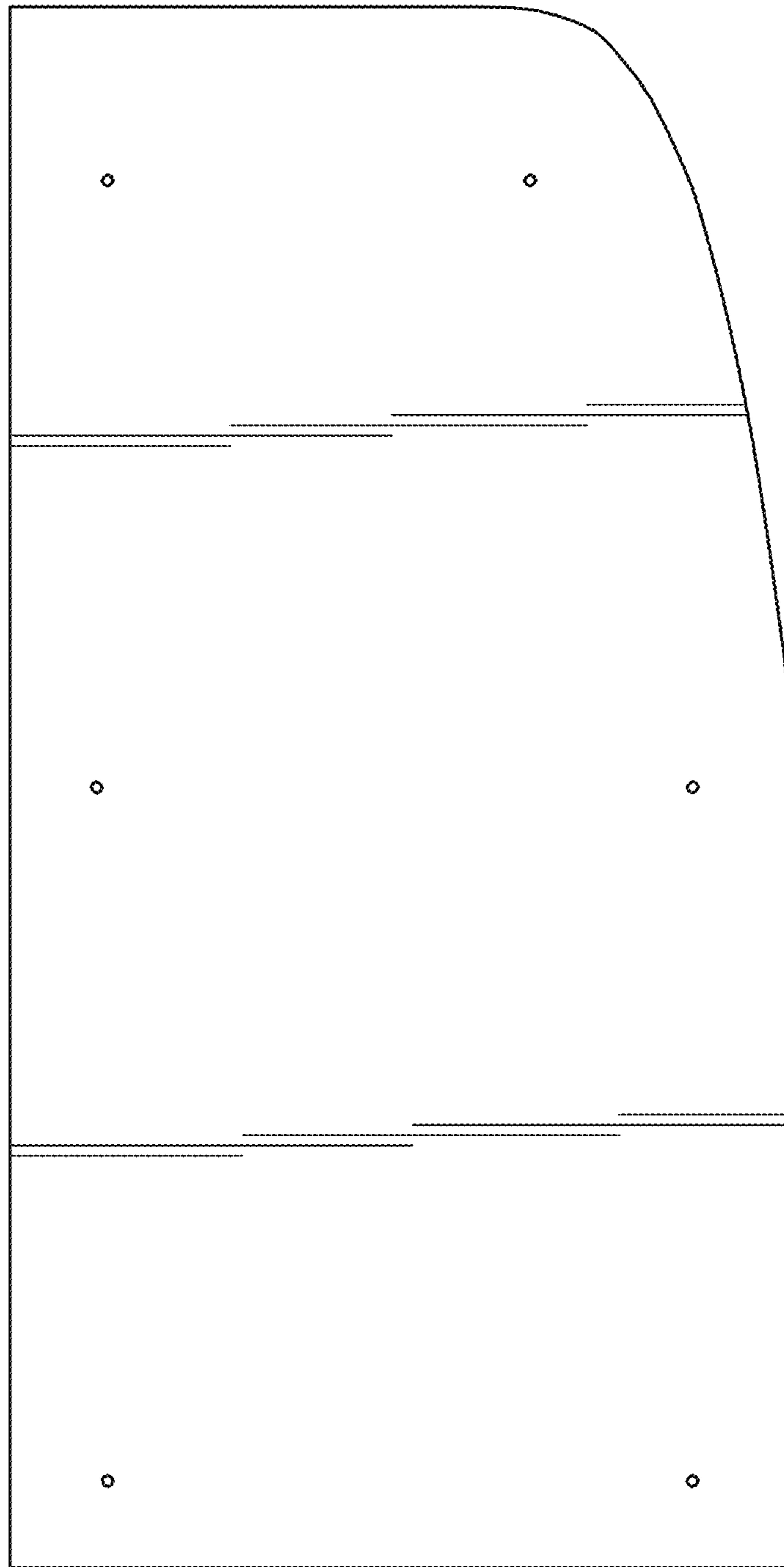


FIG. 7